



US00D976822S

(12) **United States Design Patent**  
**Li**

(10) **Patent No.:** **US D976,822 S**  
(45) **Date of Patent:** **\*\* Jan. 31, 2023**

(54) **WIRELESS CHARGER**

(71) Applicant: **SHENZHEN XUANFENG INNOVATIONS TECHNOLOGY CO., LTD.**, Shenzhen (CN)

(72) Inventor: **Junbao Li**, Guangzhou (CN)

(73) Assignee: **SHENZHEN XUANFENG INNOVATIONS TECHNOLOGY CO., LTD.**, Shenzhen (CN)

(\*\*) Term: **15 Years**

(21) Appl. No.: **29/818,966**

(22) Filed: **Dec. 13, 2021**

(51) **LOC (14) Cl.** ..... **13-02**

(52) **U.S. Cl.**  
USPC ..... **D13/108**

(58) **Field of Classification Search**  
USPC ..... D13/103, 107, 108, 110, 118, 151, 153,  
D13/154, 155, 184

CPC ..... Y02E 60/10; Y02E 60/50; H01M 50/10;  
H01M 50/107; H01M 50/557; H01M  
50/209; H01M 50/502; H01M 2220/30;  
H02J 7/00; H02J 7/0003; H02J 7/0011;  
H02J 7/0013; H02J 7/0054; H02J 7/0055;  
H02J 7/0057

See application file for complete search history.

(56) **References Cited**

**U.S. PATENT DOCUMENTS**

D776,053 S \* 1/2017 Barnard ..... D13/108  
D788,699 S \* 6/2017 Hoehn ..... D13/107  
D842,806 S 3/2019 Song et al.

D859,308 S \* 9/2019 Connell ..... D13/108  
D917,386 S 4/2021 Xu  
D920,237 S \* 5/2021 Huang ..... D13/108  
D920,239 S \* 5/2021 Cheng ..... D13/108  
D920,240 S \* 5/2021 Xiao ..... D13/108  
D920,241 S \* 5/2021 Xiao ..... D13/108  
D926,126 S \* 7/2021 DeMaio ..... D13/108  
D930,582 S \* 9/2021 Lee ..... D13/108  
D930,583 S \* 9/2021 Lee ..... D13/108  
D931,209 S \* 9/2021 Hahn ..... D13/108  
D931,211 S \* 9/2021 Cheng ..... D13/108  
D935,397 S \* 11/2021 Brisebras ..... D13/108  
D935,399 S \* 11/2021 Lin ..... D13/108  
D944,198 S \* 2/2022 Wu ..... D13/108  
D955,330 S \* 6/2022 Jiang ..... D13/108  
D955,332 S \* 6/2022 Wang ..... D13/108  
D956,692 S \* 7/2022 Turksu ..... D14/447

\* cited by examiner

*Primary Examiner* — Christy Nemeth

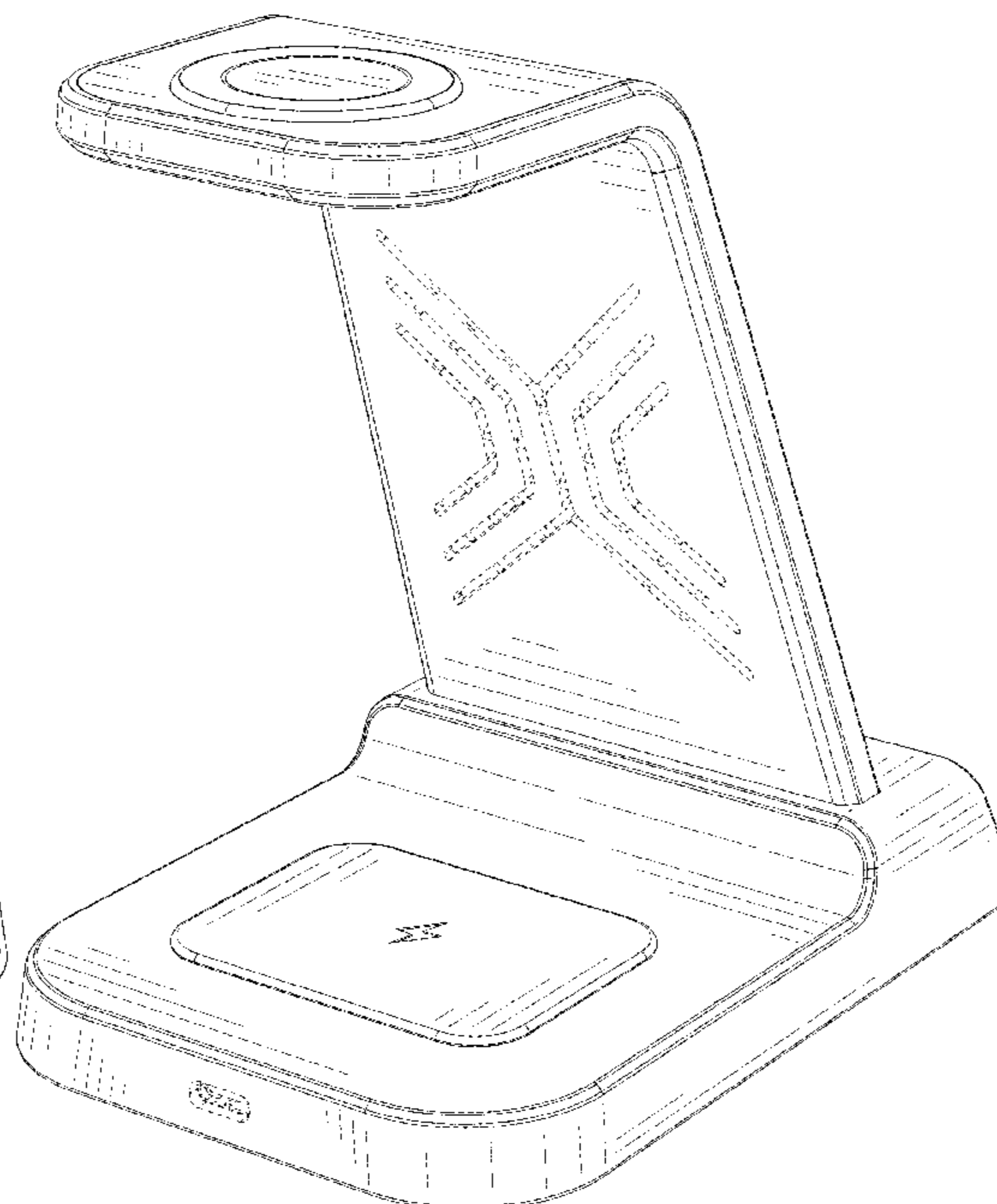
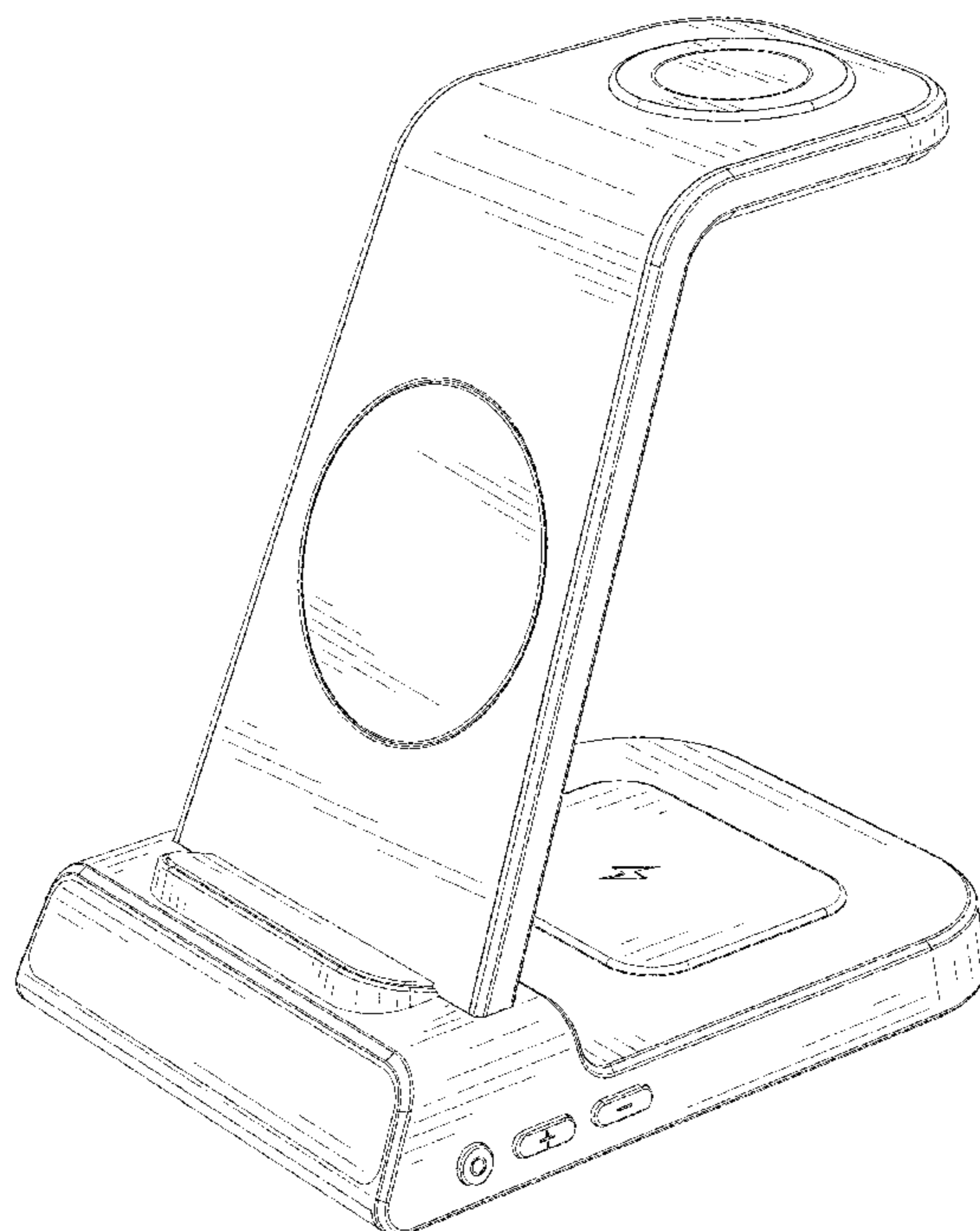
(57) **CLAIM**

The ornamental design for a wireless charger, as shown and described.

**DESCRIPTION**

FIG. 1 is a front elevational view of a wireless charger showing my new design;  
FIG. 2 is a right side elevational view thereof;  
FIG. 3 is a left side elevational view thereof;  
FIG. 4 is a rear elevational view thereof;  
FIG. 5 is a top plan view thereof;  
FIG. 6 is a bottom plan view thereof.  
FIG. 7 is a perspective view thereof; and,  
FIG. 8 is another perspective view thereof.  
The broken lines in the drawings depict portions of the wireless charger that form no part of the claimed design.

**1 Claim, 8 Drawing Sheets**



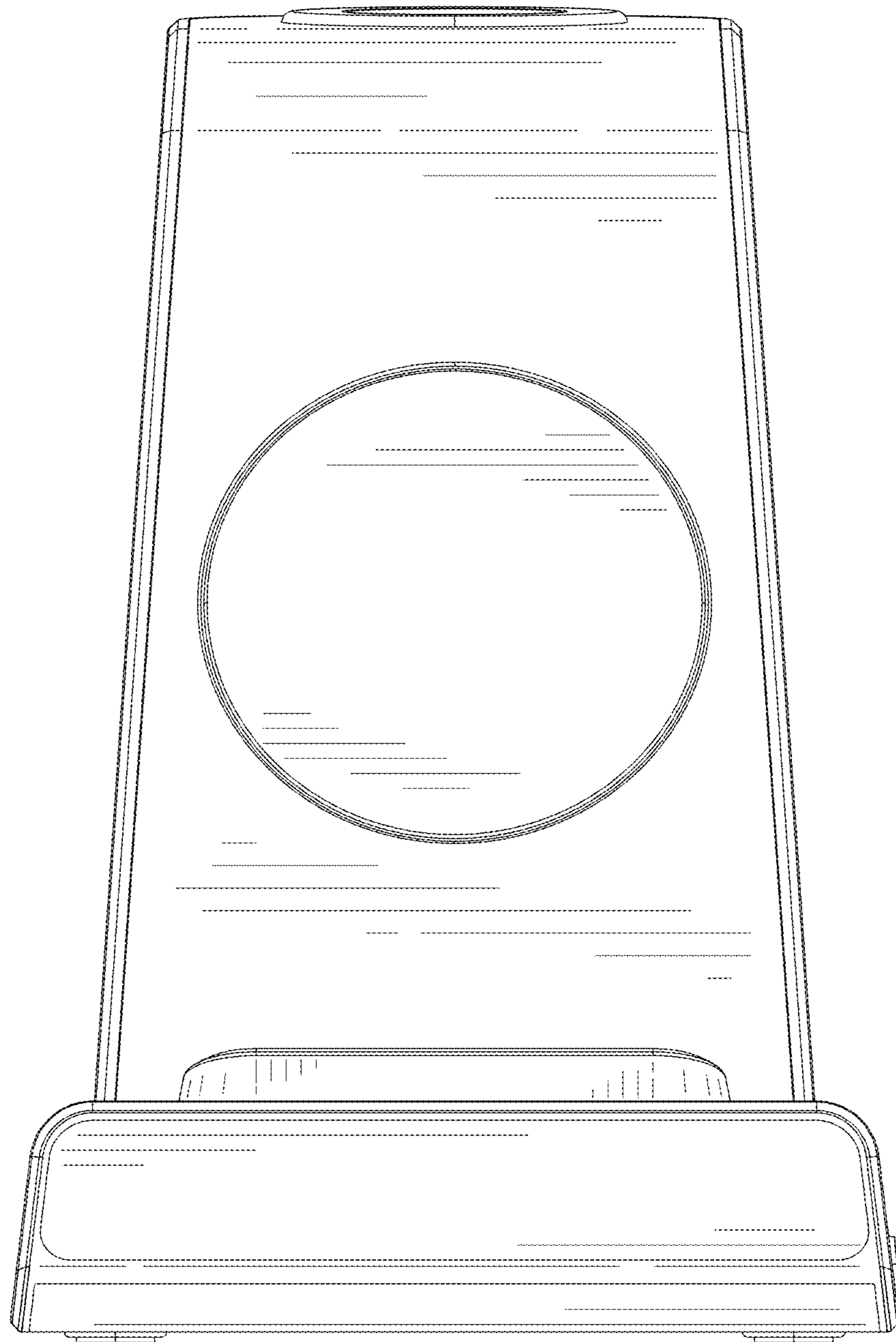


FIG. 1

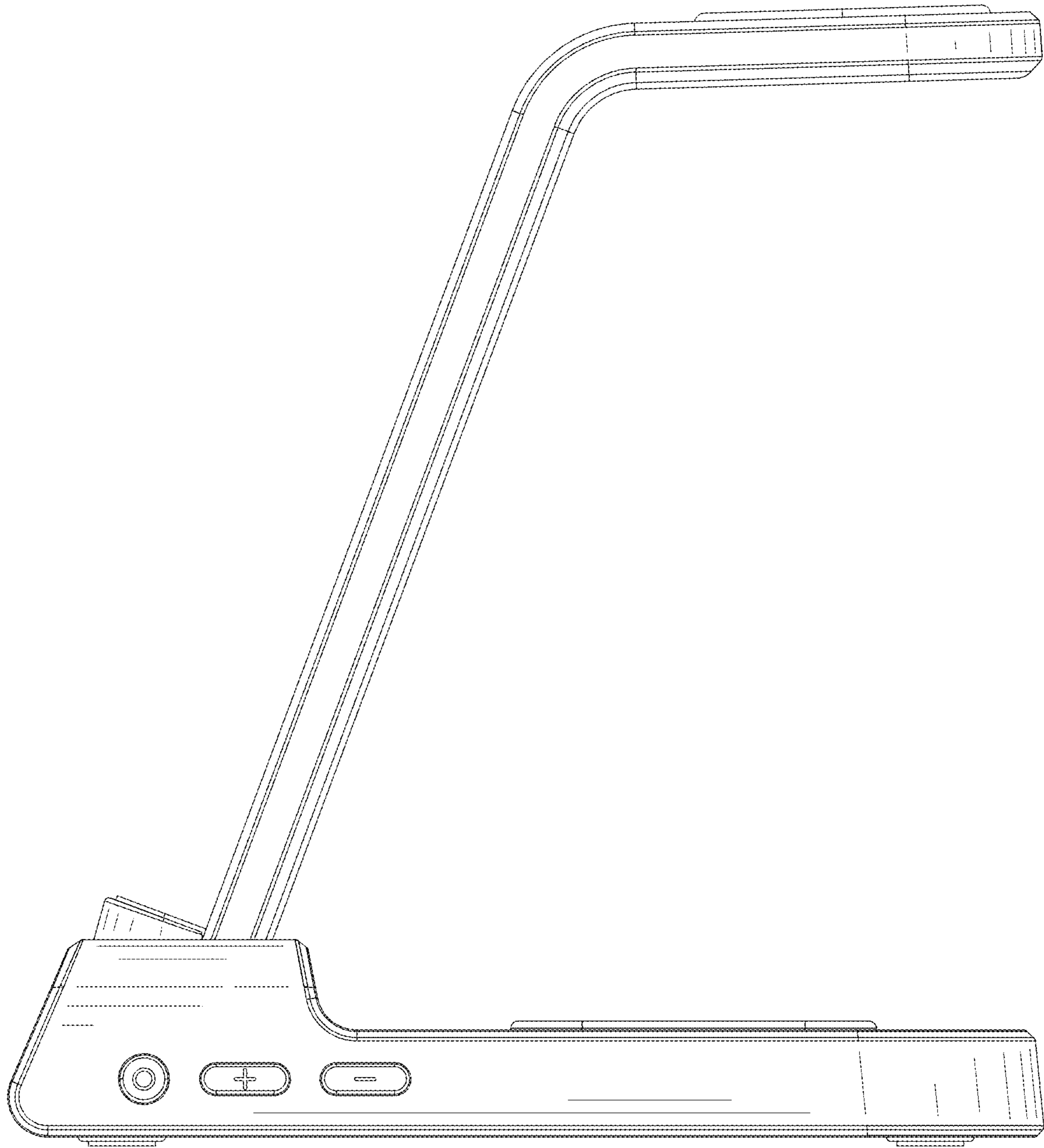


FIG. 2

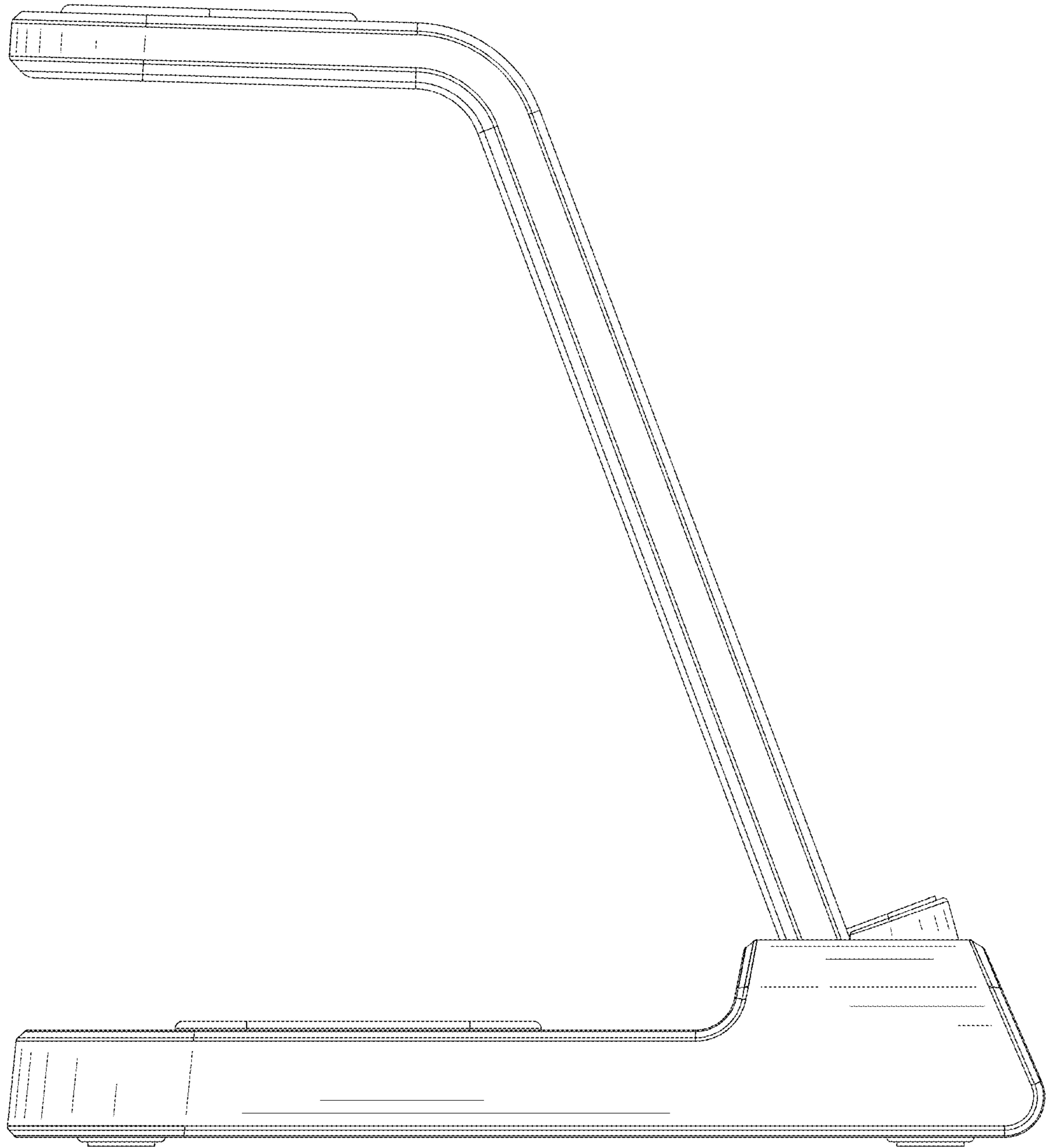


FIG. 3



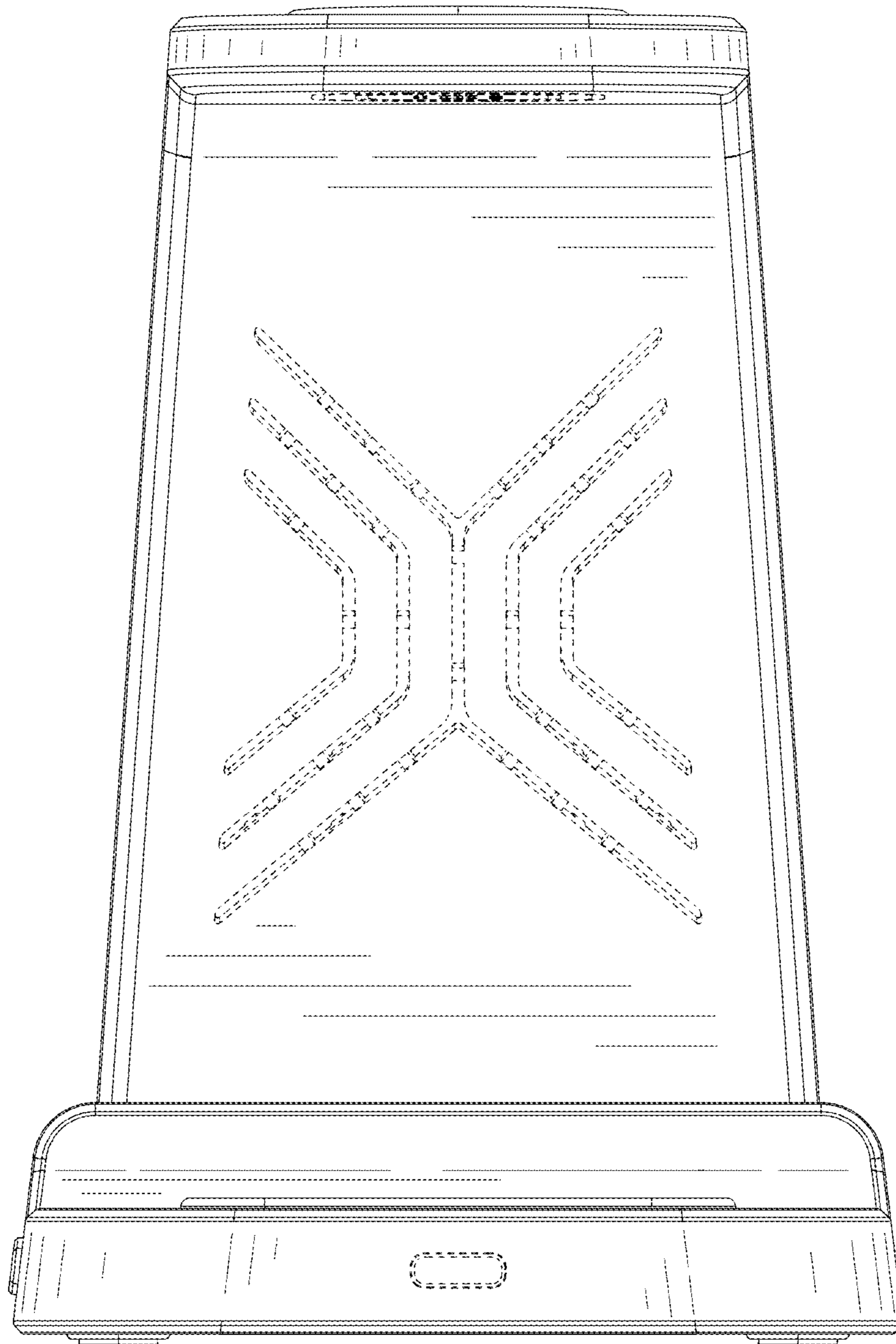


FIG. 4

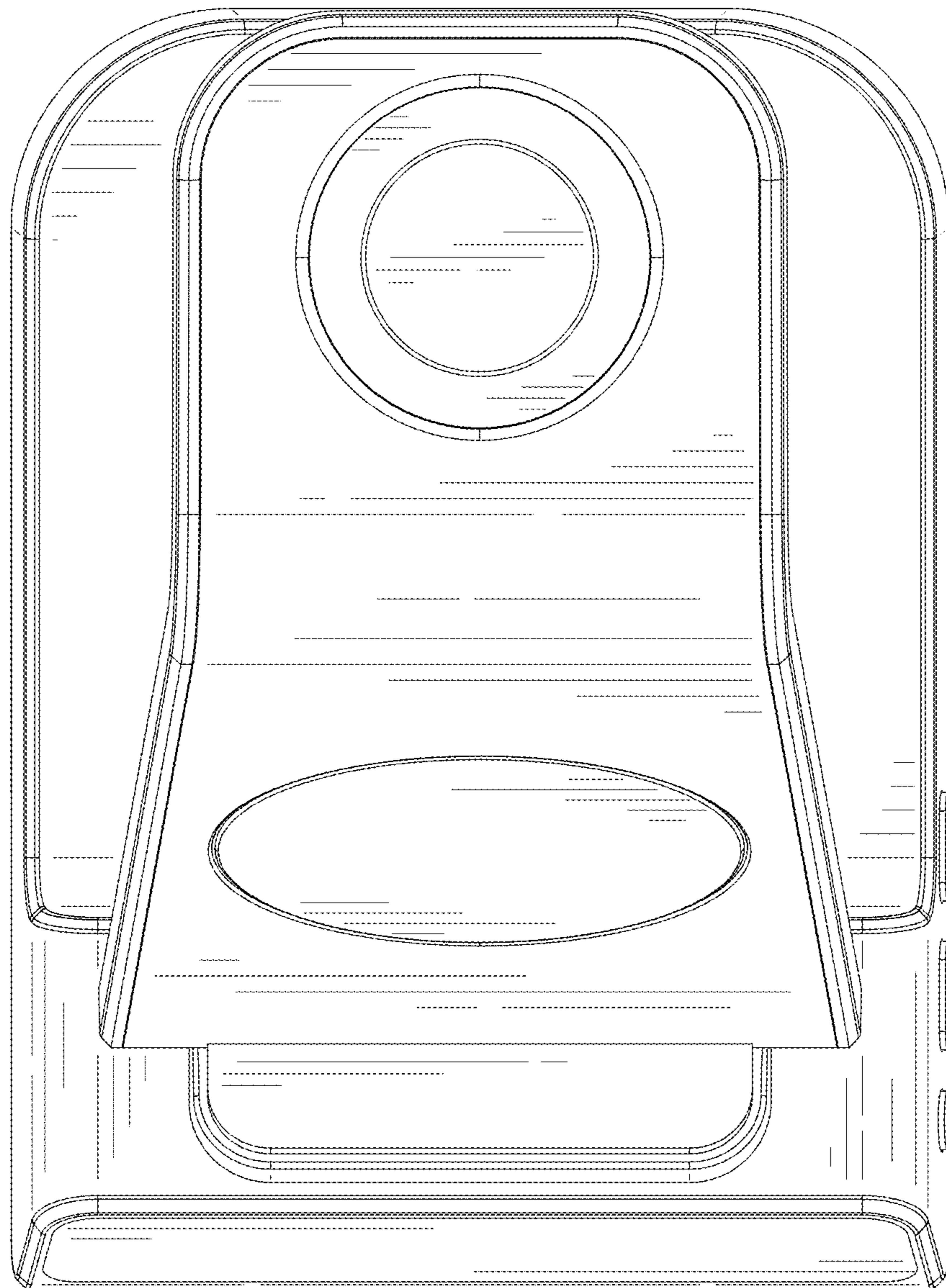


FIG. 5

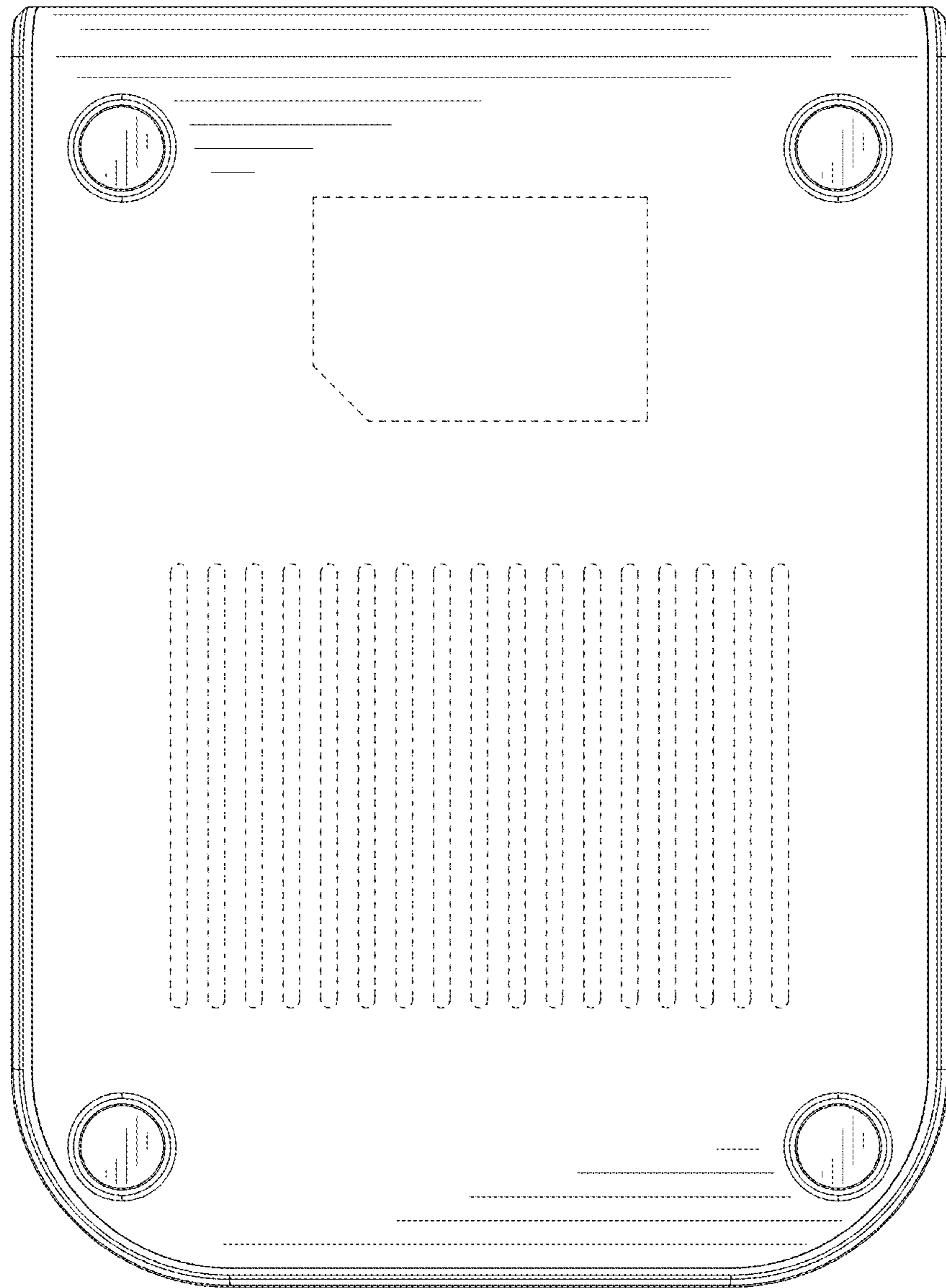


FIG. 6

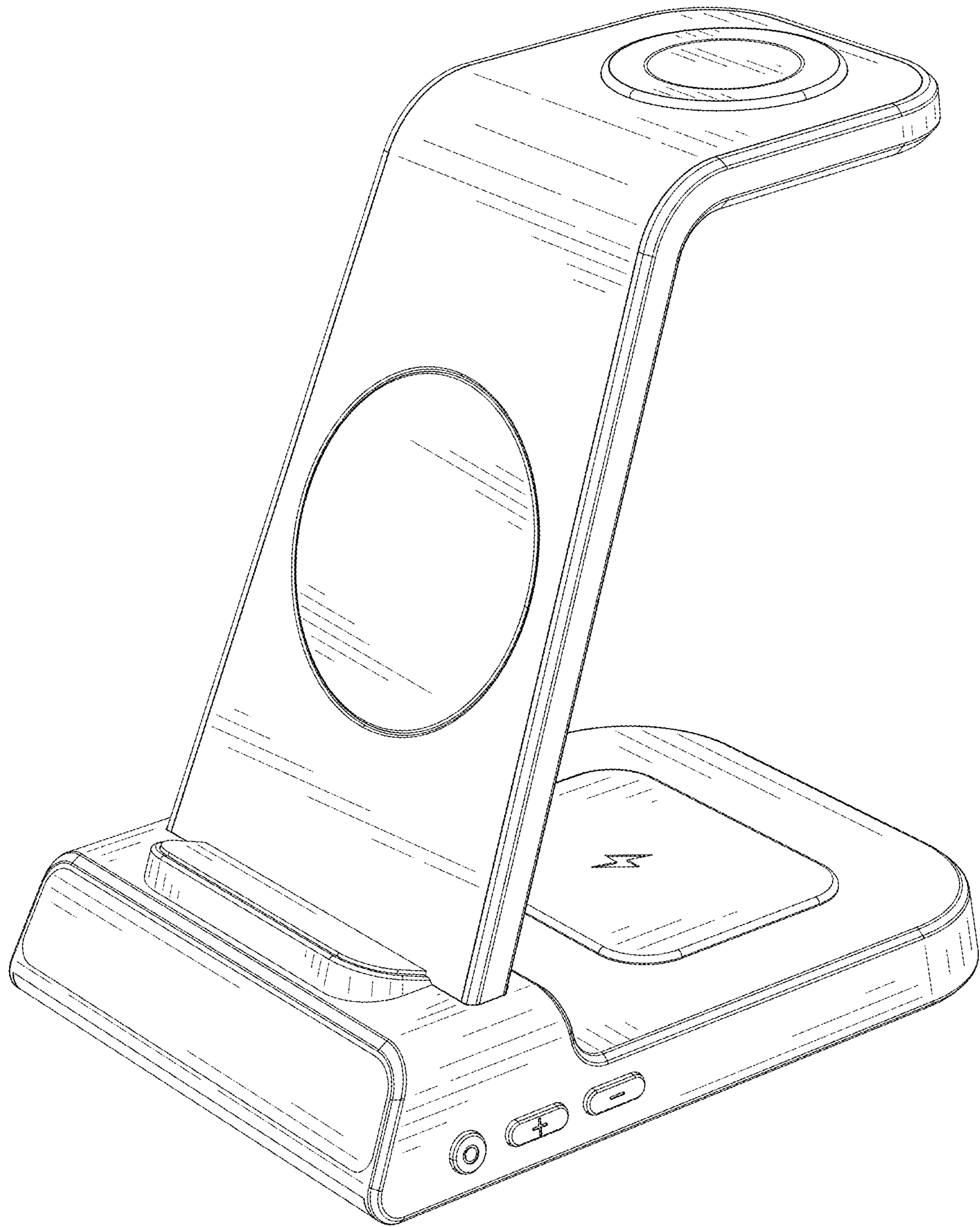


FIG. 7



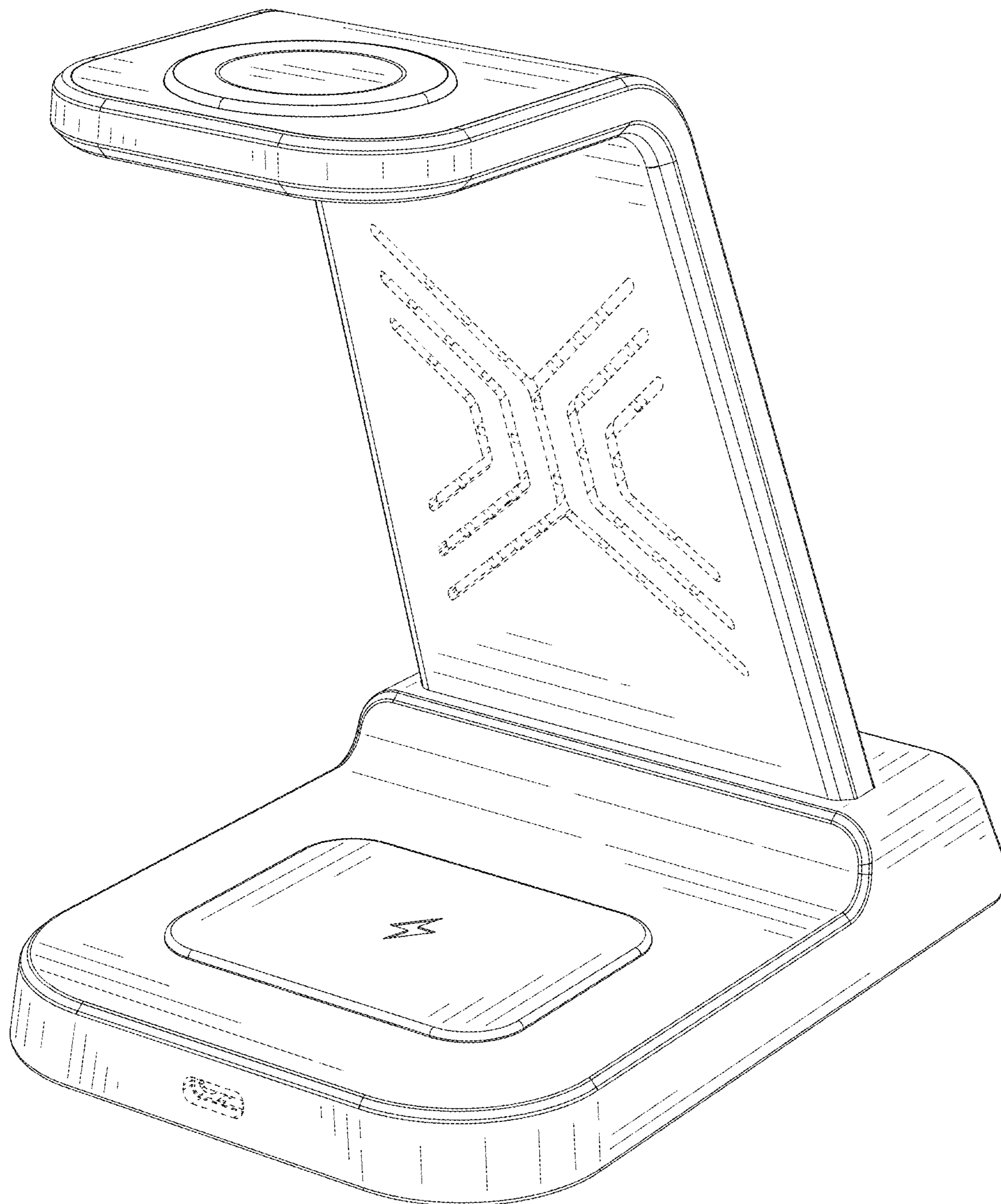


FIG. 8