



US00D976820S

(12) **United States Design Patent** (10) **Patent No.:** **US D976,820 S**
Hu (45) **Date of Patent:** **** Jan. 31, 2023**

(54) **CAR WIRELESS CHARGER**

FOREIGN PATENT DOCUMENTS

(71) Applicant: **Guangming Hu**, Shaoguan (CN)

CN 305327122 S 8/2019
CN 305552872 S 1/2020
EM 008707806-0001 * 10/2021

(72) Inventor: **Guangming Hu**, Shaoguan (CN)

(**) Term: **15 Years**

OTHER PUBLICATIONS

(21) Appl. No.: **29/809,187**

“Waitie Magnetic Wireless Charger”. Found online Jul. 26, 2022 at amazon.com. Reference dated Jan. 31, 2021. Retrieved from https://www.amazon.com/Magnetic-Wireless-WAITIEE-Adjustable-auto-Alignment/dp/B08T695GFG/ref=asc_df_B08T695GFG/. (Year: 2021).*
“ESR HaloLock Magnetic Wireless Car Charger”. Found online Mar. 8, 2022 at amazon.com. Reference dated Sep. 8, 2020. Retrieved from <https://www.amazon.com/ESR-HaloLock-Magnetic-Attachment-Alignment/dp/B08HNBHSQV?th=1>. (Year: 2020).*
“Anker Wireless Charger”. Found online Jan. 29, 2021 at amazon.com. Reference dated Sep. 5, 2018. Retrieved from <https://www.amazon.com/dp/B07H4CWTLJ>. (Year: 2018).*

(22) Filed: **Sep. 27, 2021**

(51) **LOC (14) Cl.** **13-02**

(52) **U.S. Cl.**

USPC **D13/108**; D14/253

(58) **Field of Classification Search**

USPC D13/103, 107, 108, 118, 119, 183;
D14/217, 240, 251, 253, 432, 433, 434,
D14/439, 447

CPC H02J 7/0049; H02J 50/05; H02J 7/0027;
H04M 1/06

See application file for complete search history.

* cited by examiner

Primary Examiner — Kendra Leslie Hamilton

Assistant Examiner — Amanda Christensen

(56) **References Cited**

(57) **CLAIM**

The ornamental design for a car wireless charger, as shown and described.

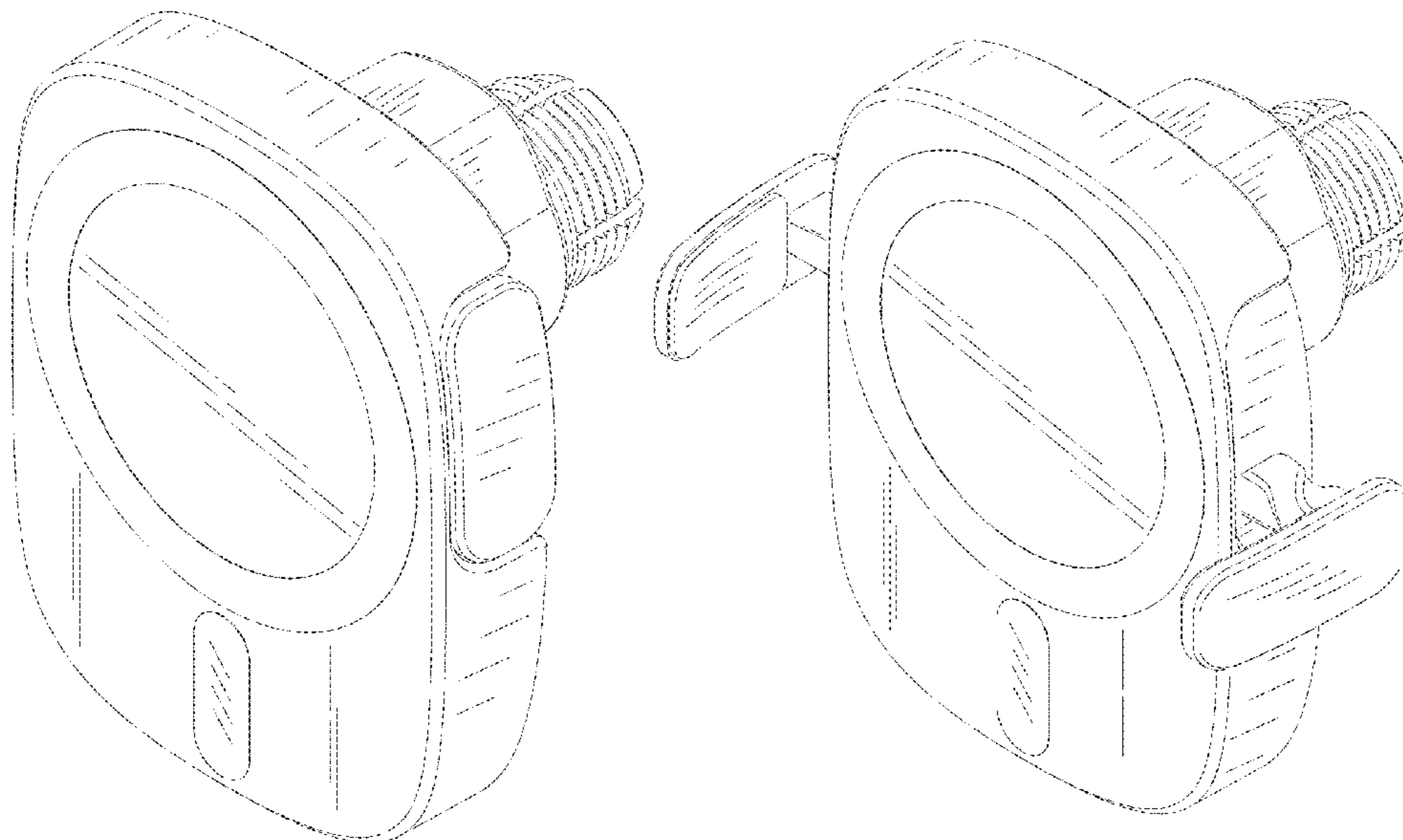
U.S. PATENT DOCUMENTS

DESCRIPTION

| | | | | |
|-------------------|---------|-------------|-------|------------------------|
| D456,024 S * | 4/2002 | Richter | | D14/434 |
| D858,509 S * | 9/2019 | Yao | | D12/415 |
| D862,454 S * | 10/2019 | Chun | | D12/415 |
| D876,348 S | 2/2020 | Wang | | |
| D877,741 S * | 3/2020 | Leeds-Frank | | D14/447 |
| D894,829 S * | 9/2020 | Zhang | | D13/108 |
| D896,172 S | 9/2020 | Ye | | |
| D898,666 S * | 10/2020 | Alves | | D13/108 |
| D903,587 S * | 12/2020 | Jianting | | D13/108 |
| D933,646 S * | 10/2021 | Liao | | D12/415 |
| D955,980 S * | 6/2022 | Zhao | | D13/108 |
| 2015/0072555 A1 * | 3/2015 | Riddiford | | F16B 2/12 248/316.4 |
| 2017/0110902 A1 * | 4/2017 | Miller | | H02J 7/0044 |
| 2019/0283685 A1 * | 9/2019 | Zhang | | H04B 1/082 |
| 2020/0313450 A1 * | 10/2020 | Lin | | H02J 7/025 |

FIG. 1 is a top, front, right side perspective view of a car wireless charger, showing my new design;
FIG. 2 is a front elevational view thereof;
FIG. 3 is a rear elevational view thereof;
FIG. 4 is a left side elevational view thereof;
FIG. 5 is a right side elevational view thereof;
FIG. 6 is a top plan view thereof;
FIG. 7 is a bottom plan view thereof; and,
FIG. 8 is a top, front, right side perspective view of the car wireless charger, shown in an expanded state.
The broken lines in the drawings depict portions of the car wireless charger that form no part of the claimed design.

1 Claim, 8 Drawing Sheets



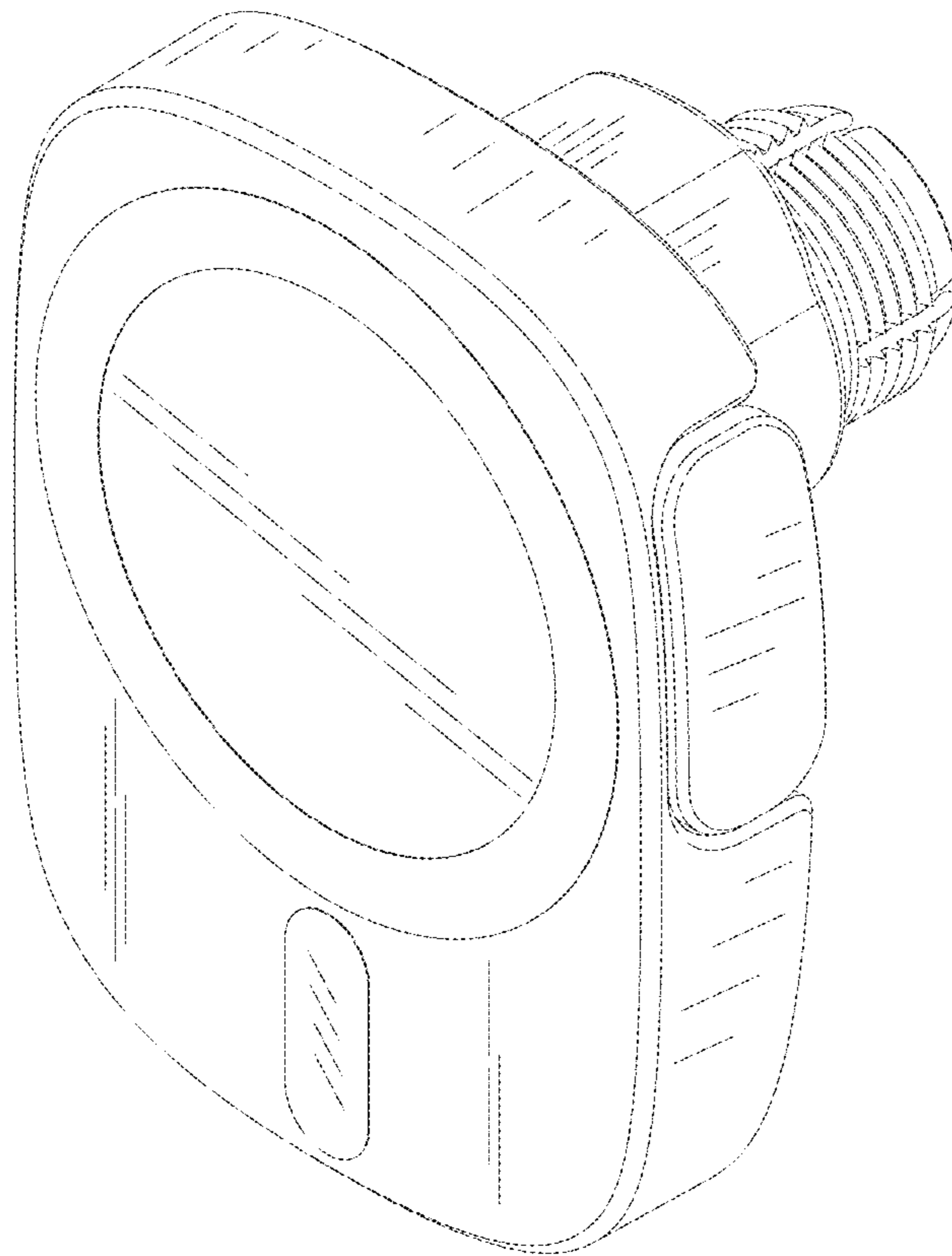


FIG. 1

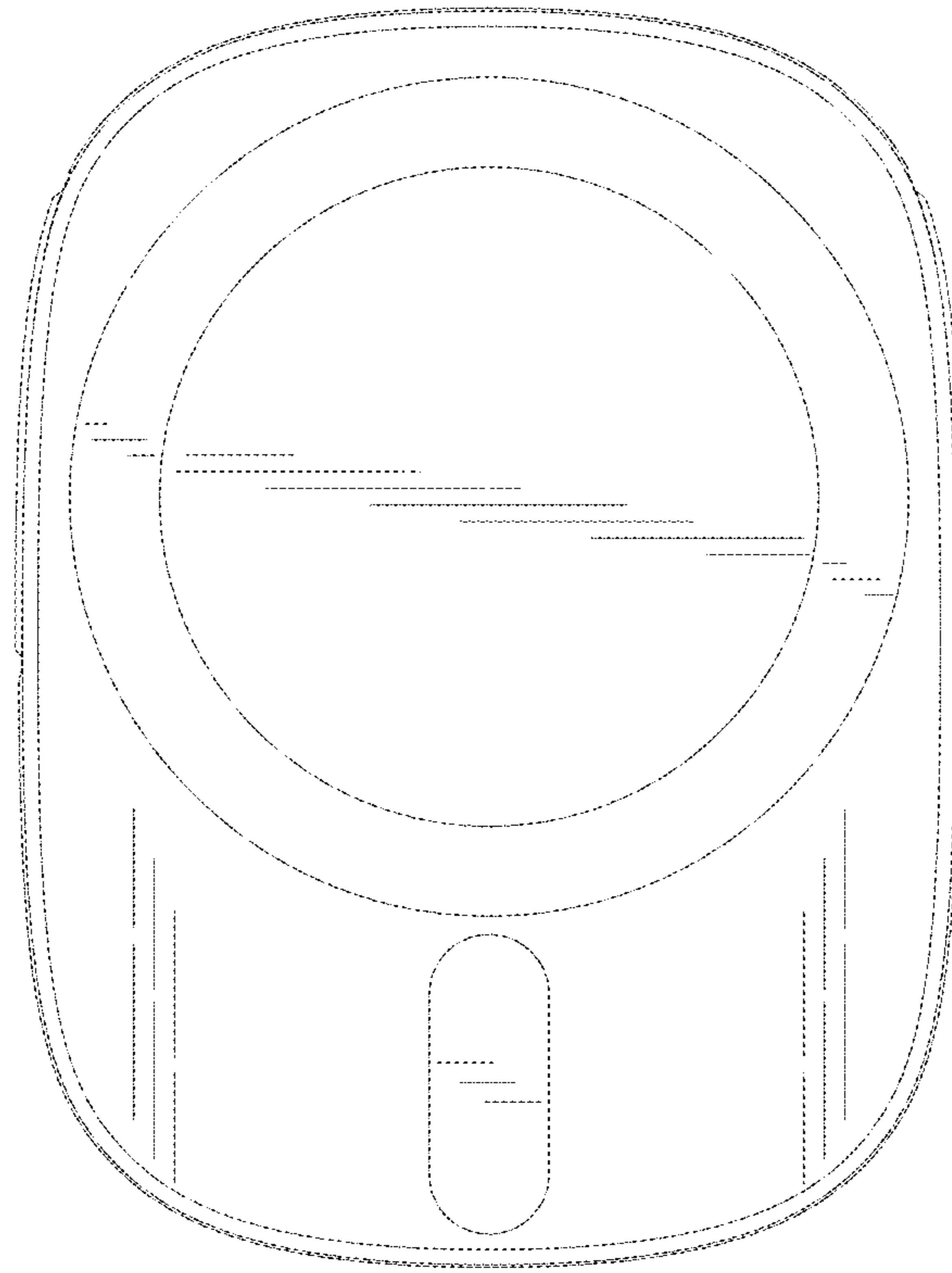


FIG. 2

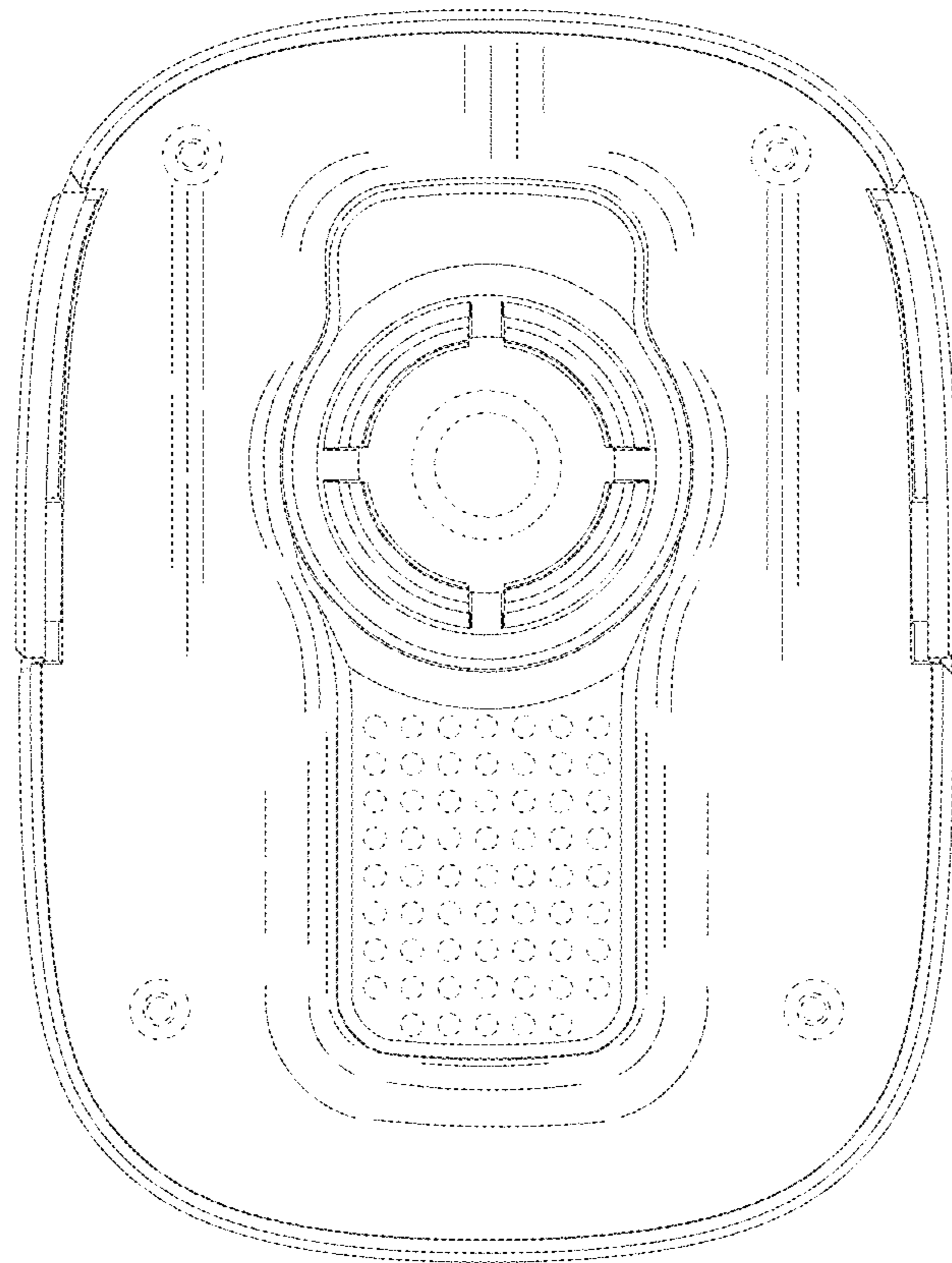


FIG. 3

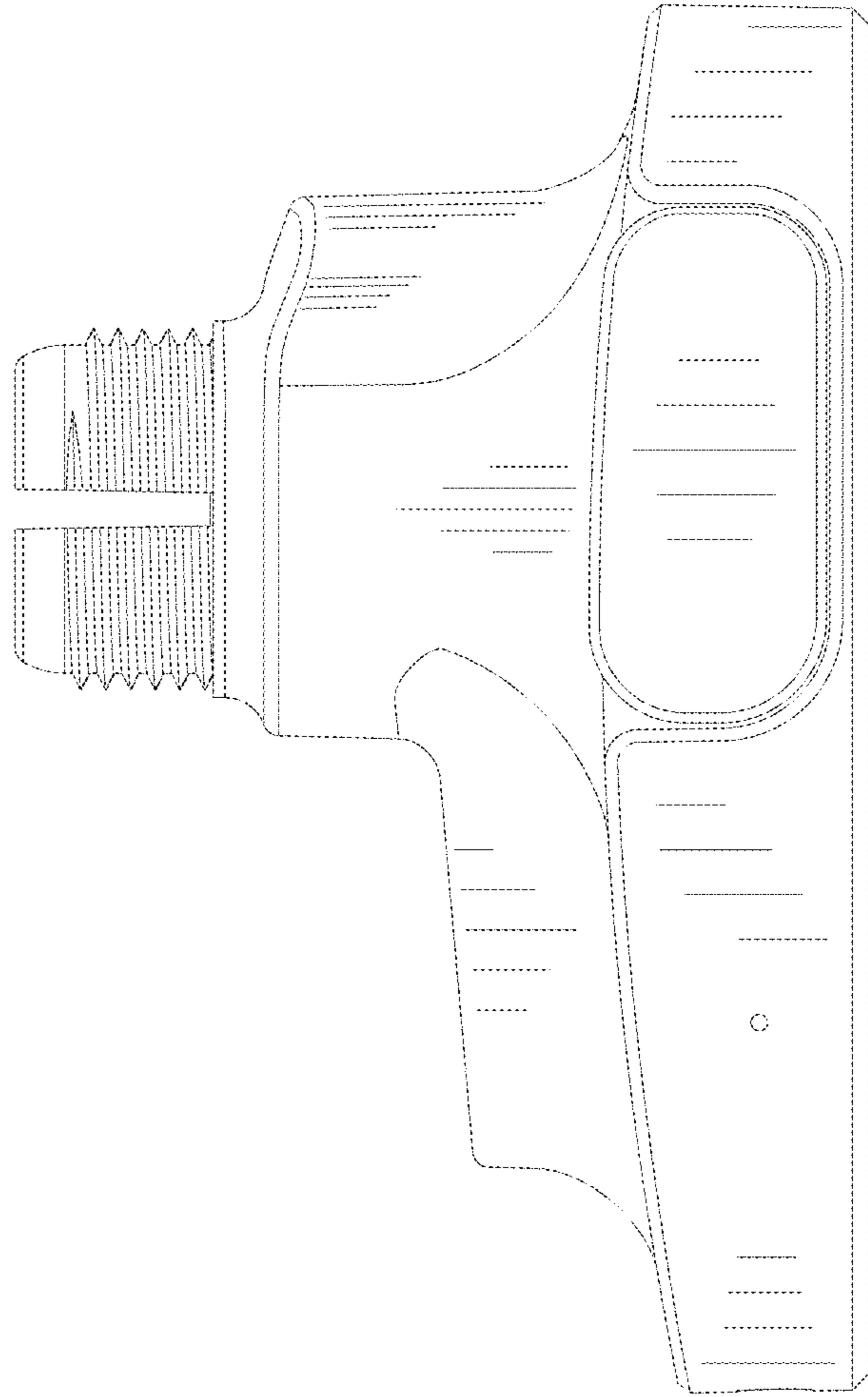


FIG. 4

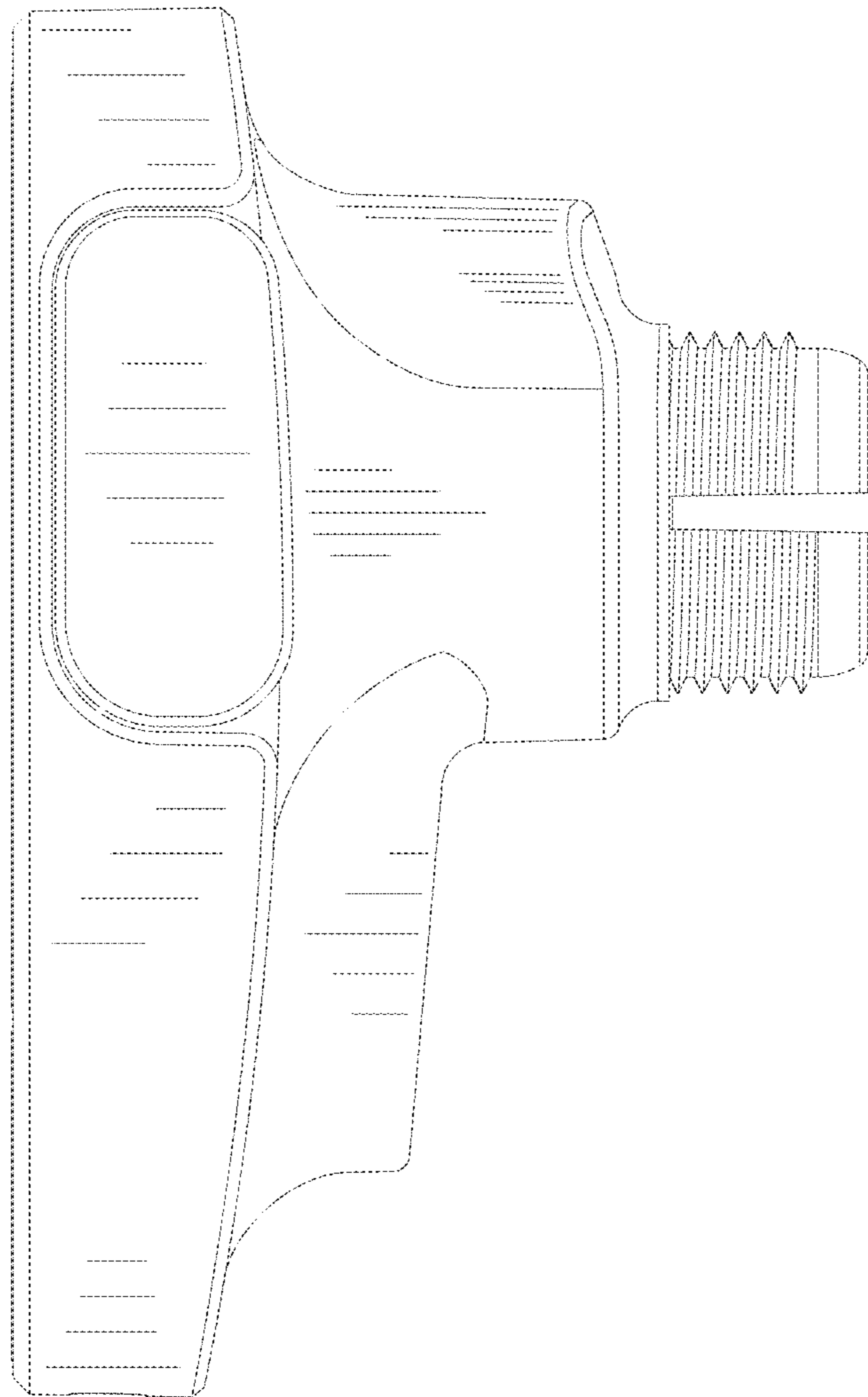


FIG. 5

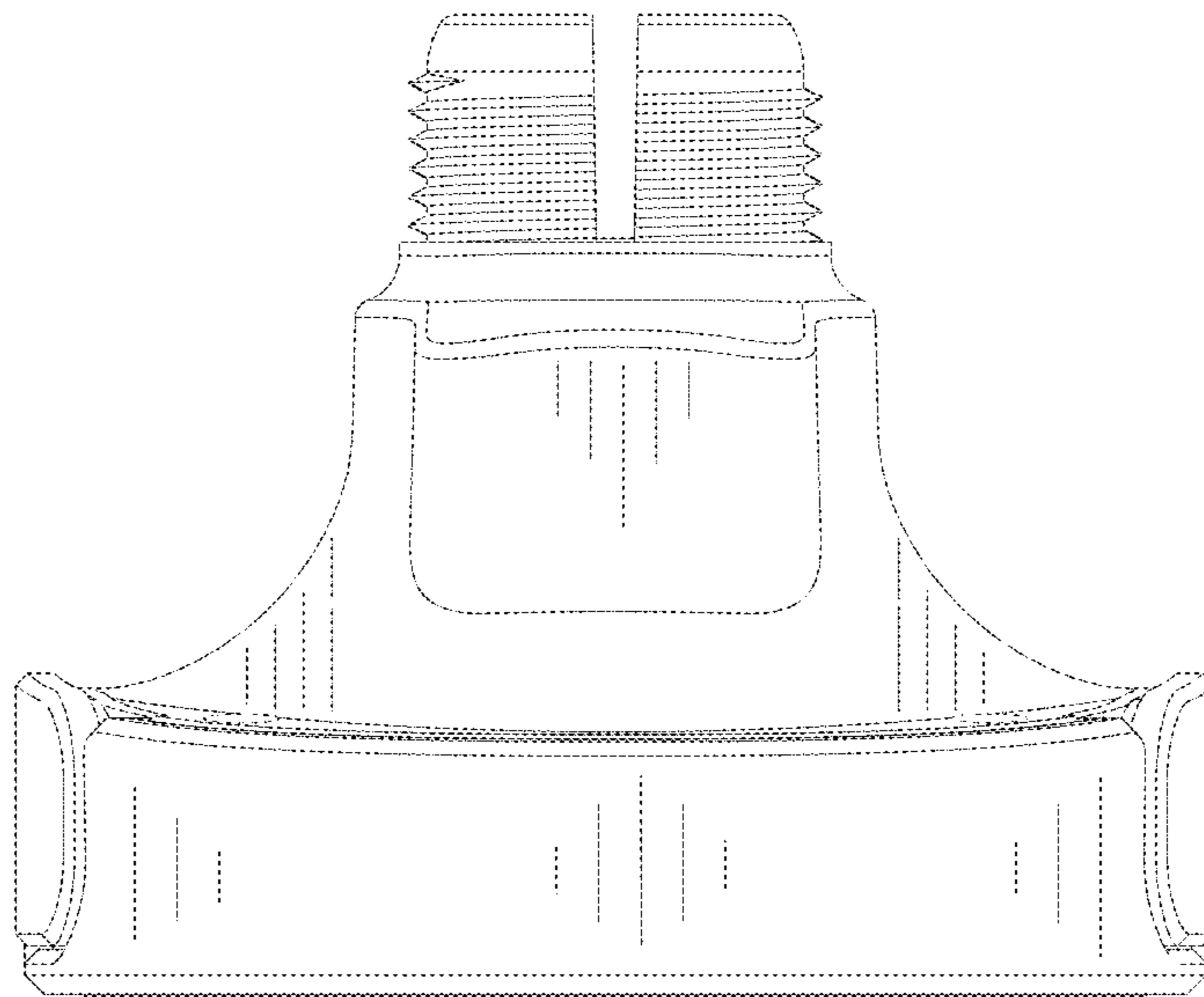


FIG. 6

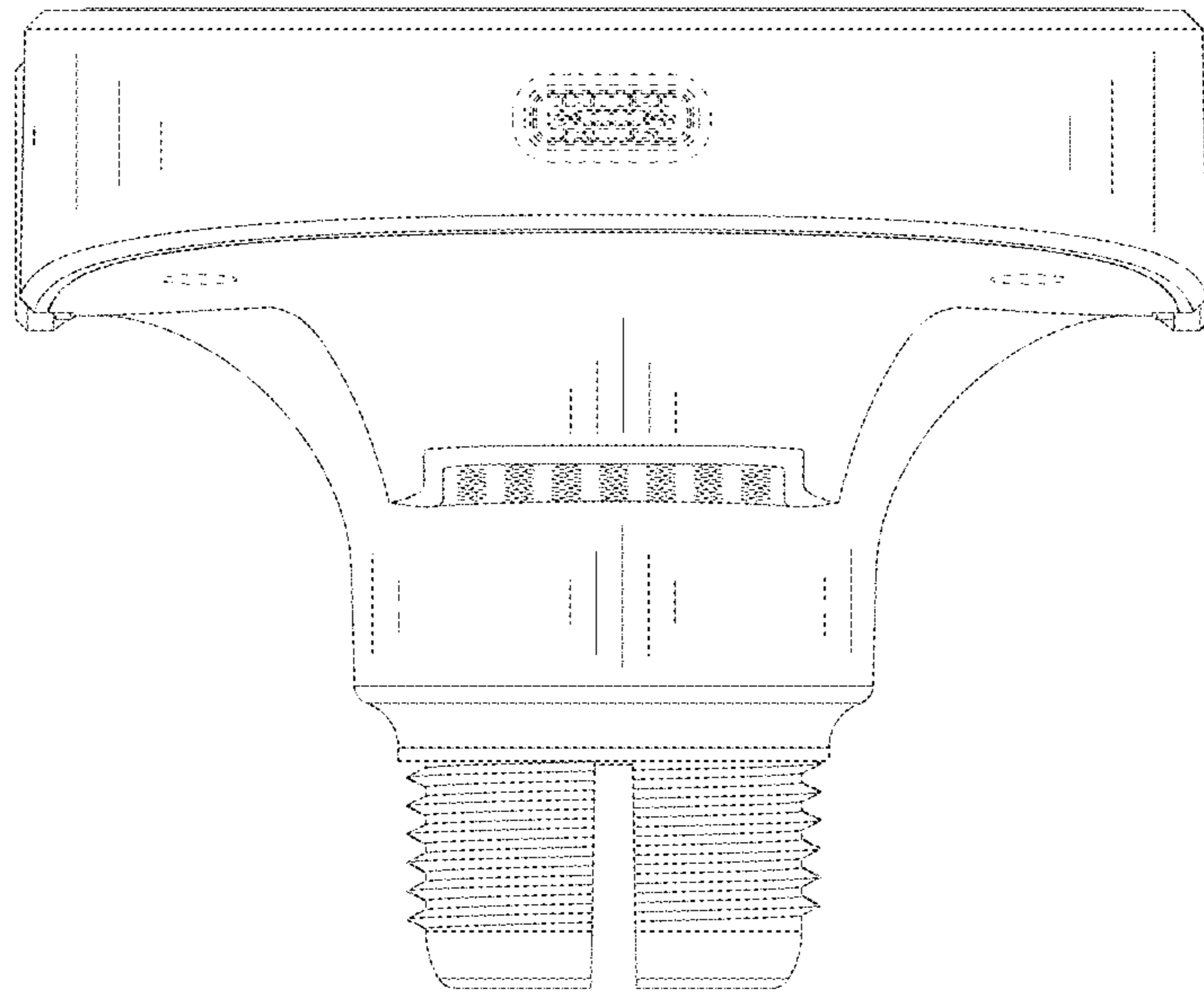


FIG. 7

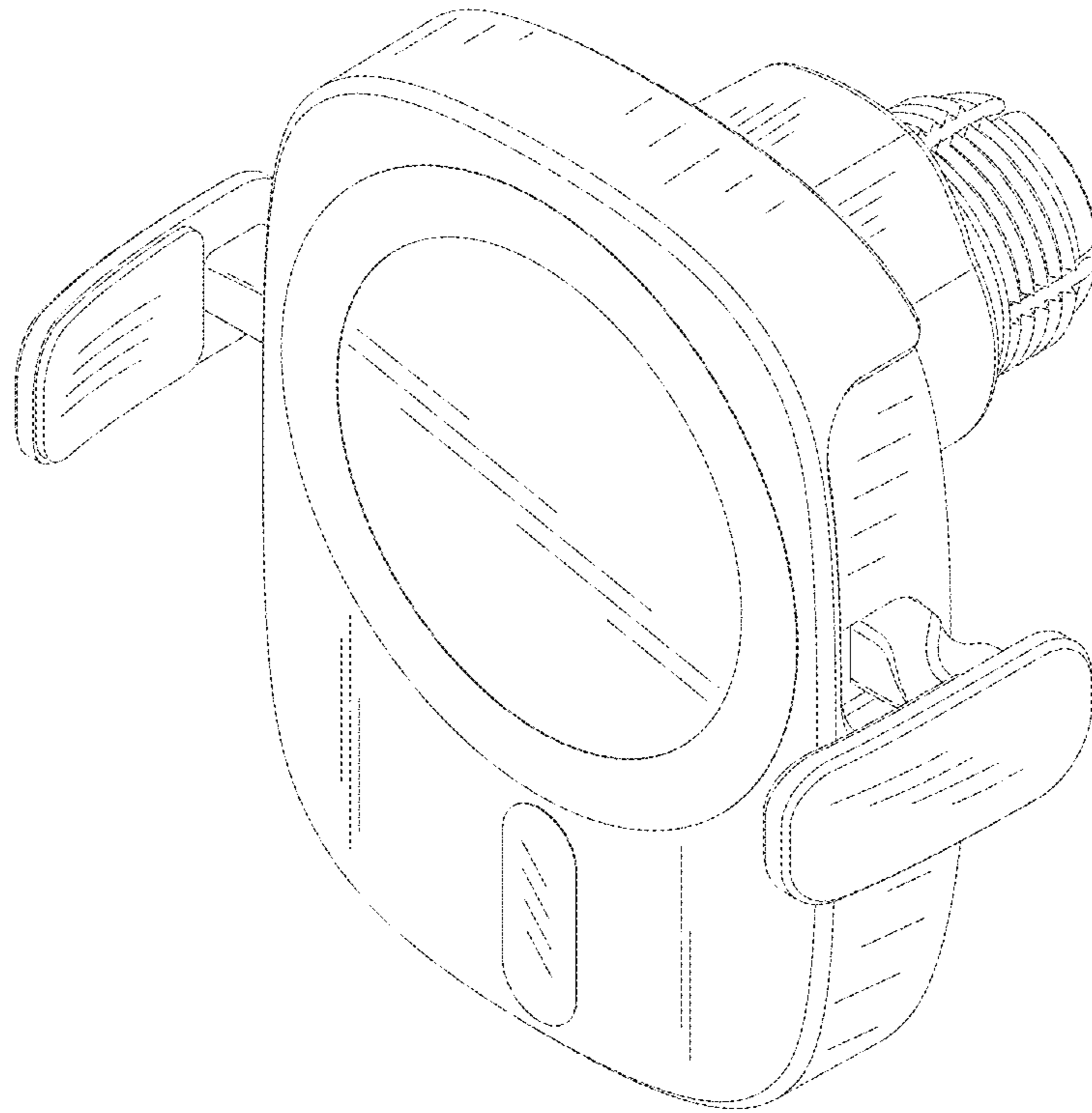


FIG. 8