



US00D976819S

(12) **United States Design Patent**
Huang

(10) **Patent No.:** **US D976,819 S**
(45) **Date of Patent:** **** Jan. 31, 2023**

(54) **WIRELESS CHARGER**

(71) Applicant: **Dongguan Budi Electronic Co., Ltd,**
Dongguan (CN)

(72) Inventor: **Yong Huang,** Dongguan (CN)

(**) Term: **15 Years**

(21) Appl. No.: **29/794,250**

(22) Filed: **Jun. 11, 2021**

(51) **LOC (14) Cl.** **13-02**

(52) **U.S. Cl.**
USPC **D13/108**

(58) **Field of Classification Search**
USPC D13/107–108, 110, 118–119, 184, 199;
D14/251, 253, 432, 434, 447
CPC .. H02J 7/025; H02J 7/005; H02J 50/00; H02J
50/10; H02J 50/12; H02J 50/80; H02J
7/02; H02J 7/0026; H02J 7/0042; H02J
7/0044; H02J 7/0045; H02J 7/0013; H02J
7/0003

See application file for complete search history.

(56) **References Cited**

U.S. PATENT DOCUMENTS

| | | | | |
|--------------|---------|---------|-------|---------|
| D756,915 S * | 5/2016 | Yang | | D13/108 |
| D780,116 S * | 2/2017 | Bing | | D13/107 |
| D851,033 S * | 6/2019 | Yuk | | D13/103 |
| D909,966 S * | 2/2021 | Liao | | D13/108 |
| D933,597 S * | 10/2021 | Natsume | | D13/108 |
| D933,600 S * | 10/2021 | Wang | | D24/217 |

| | | | | |
|-------------------|---------|--------|-------|-------------|
| D936,574 S * | 11/2021 | Turksu | | D13/108 |
| D948,430 S * | 4/2022 | Zhou | | D7/367 |
| 2021/0126493 A1 * | 4/2021 | Cai | | H02J 7/0042 |

OTHER PUBLICATIONS

“Best Wireless Charging Power Banks 2020: Charge Anywhere at Anytime”, Lulu Look, Sep. 2, 2020. Retrieved from the internet at: <<https://www.lululook.com/blogs/news/best-wireless-charging-power-bank>>, (Year: 2020).*

* cited by examiner

Primary Examiner — Rosemary K Tarcza

(74) *Attorney, Agent, or Firm* — Rumit R. Kanakia

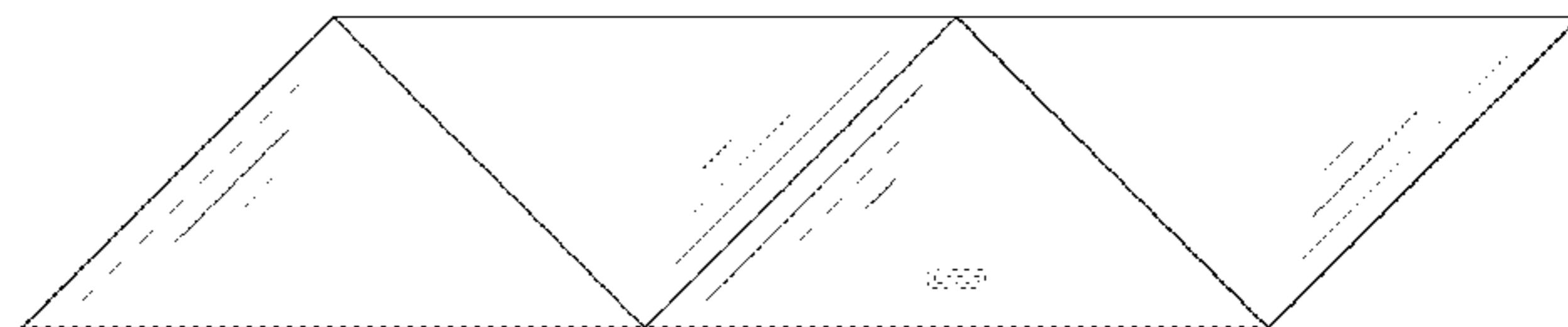
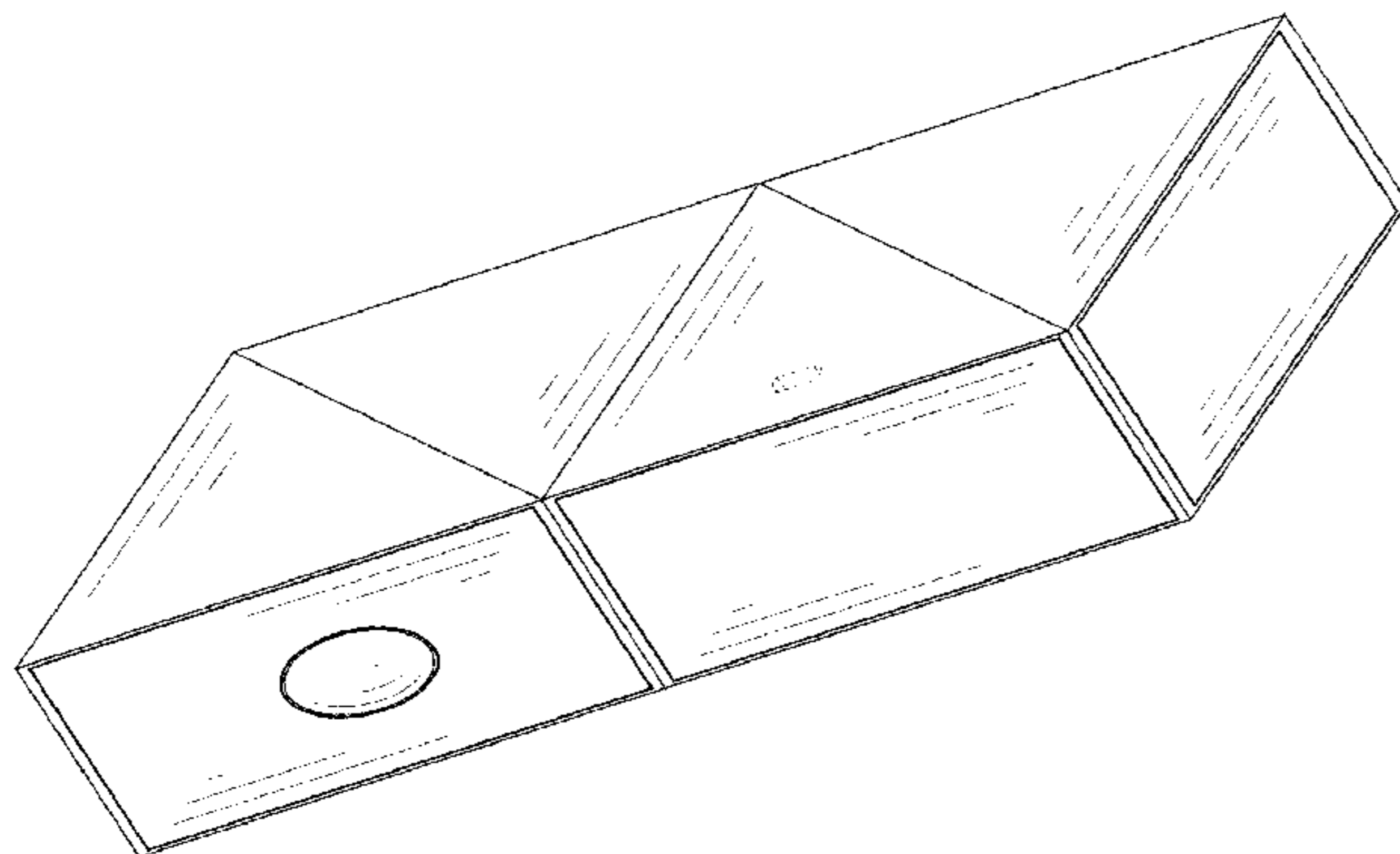
(57) **CLAIM**

The ornamental design for a wireless charger, as shown and described.

DESCRIPTION

FIG. 1 is a first perspective view of a wireless charger showing my new design;
FIG. 2 is a second perspective view thereof;
FIG. 3 is a front view thereof;
FIG. 4 is a back view thereof;
FIG. 5 is a left side view thereof;
FIG. 6 is a right side view thereof;
FIG. 7 is a top view thereof;
FIG. 8 is a bottom view thereof; and,
FIG. 9 is an enlarged view of the selected portion in FIG. 1.
The broken lines shown in the drawings depict portions of the wireless charger in which the design is embodied that form no part of the claimed design.

1 Claim, 9 Drawing Sheets



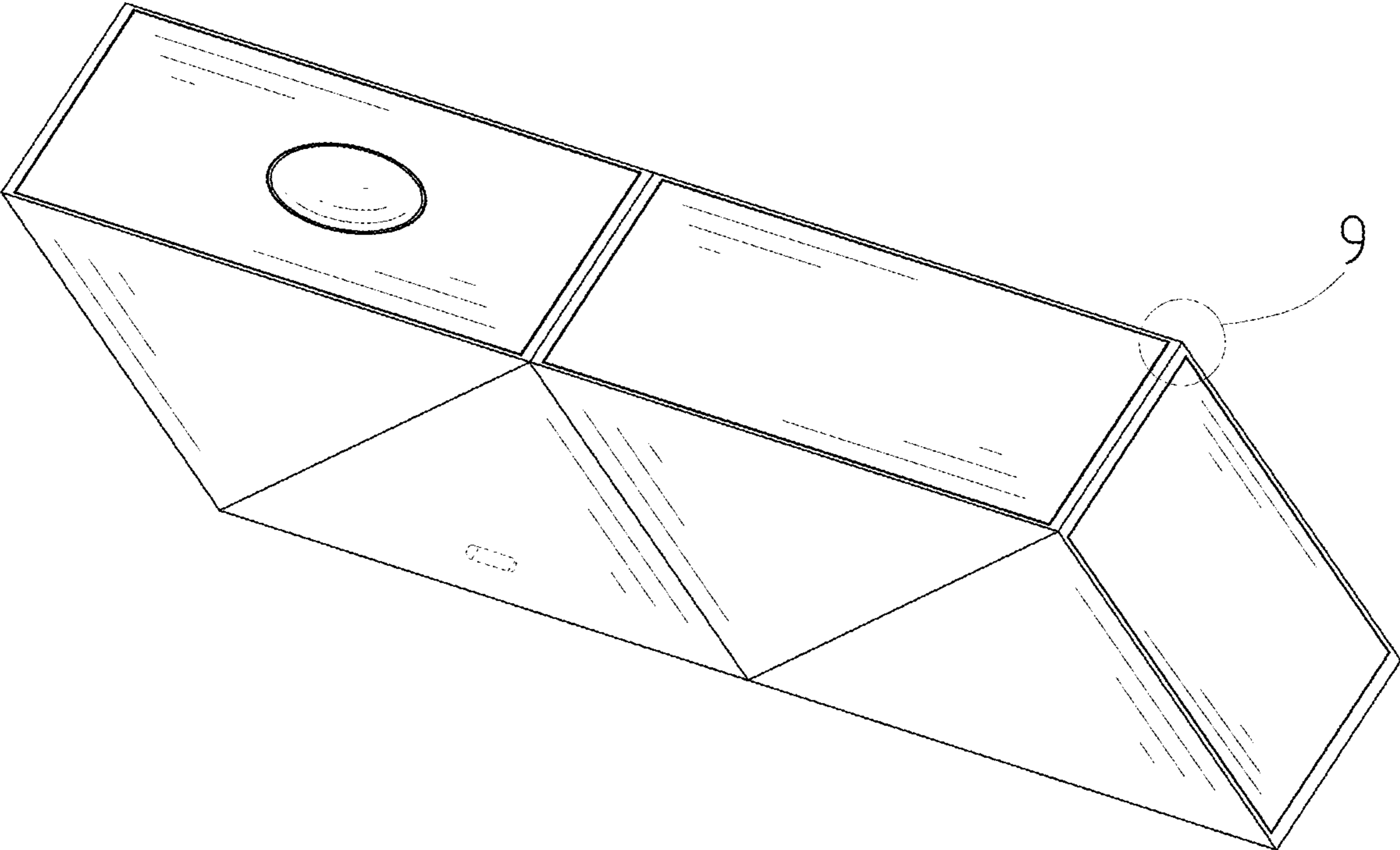


FIG. 1

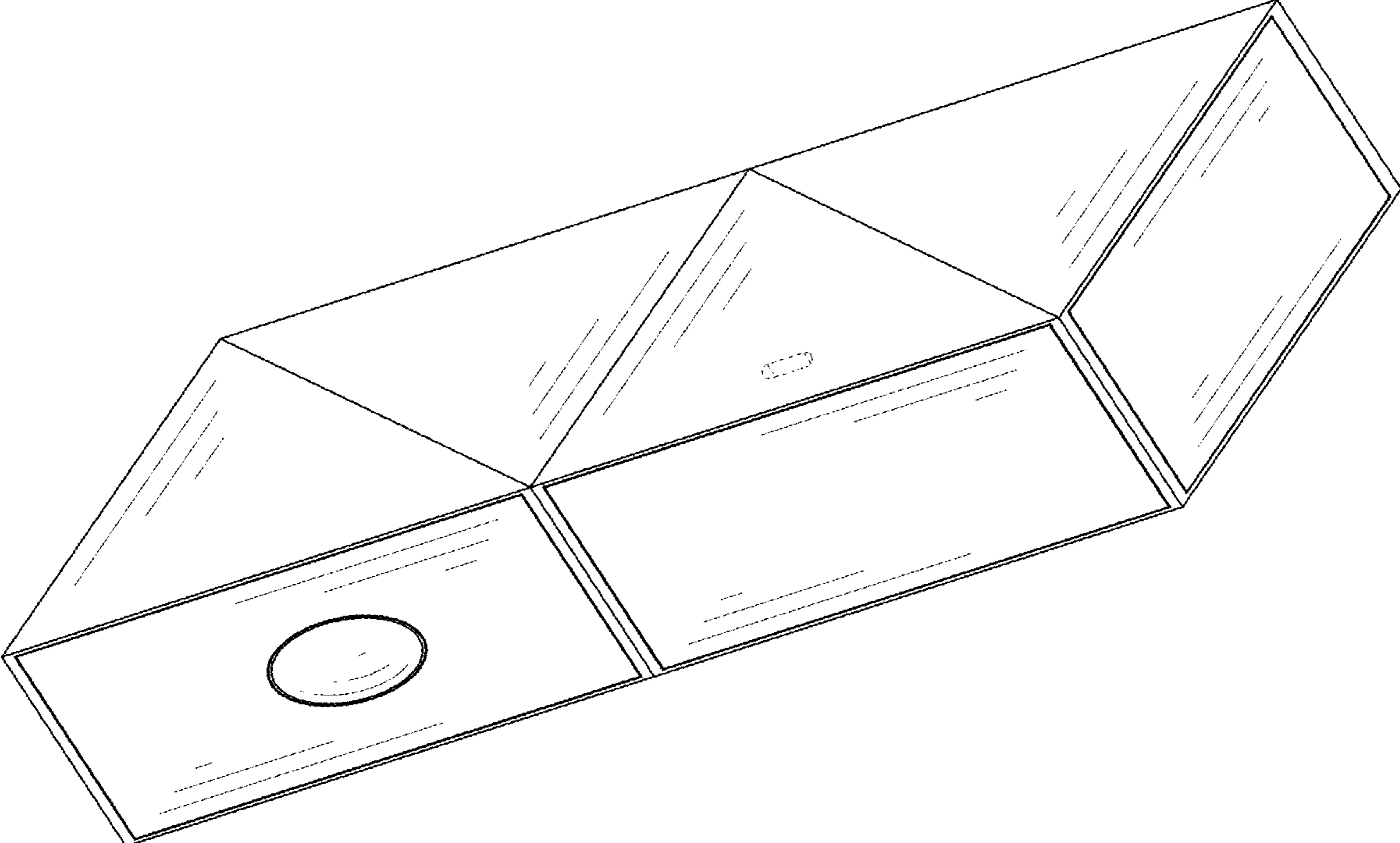


FIG. 2

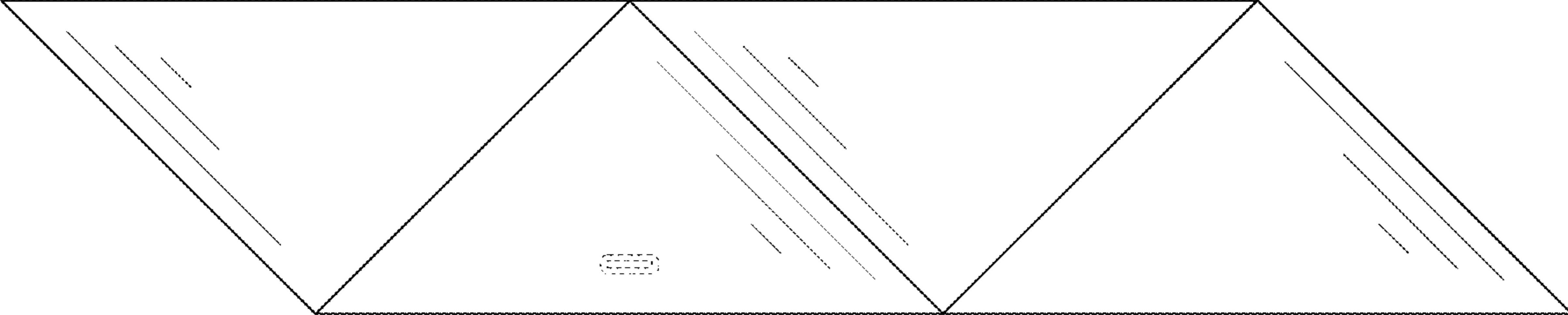


FIG. 3

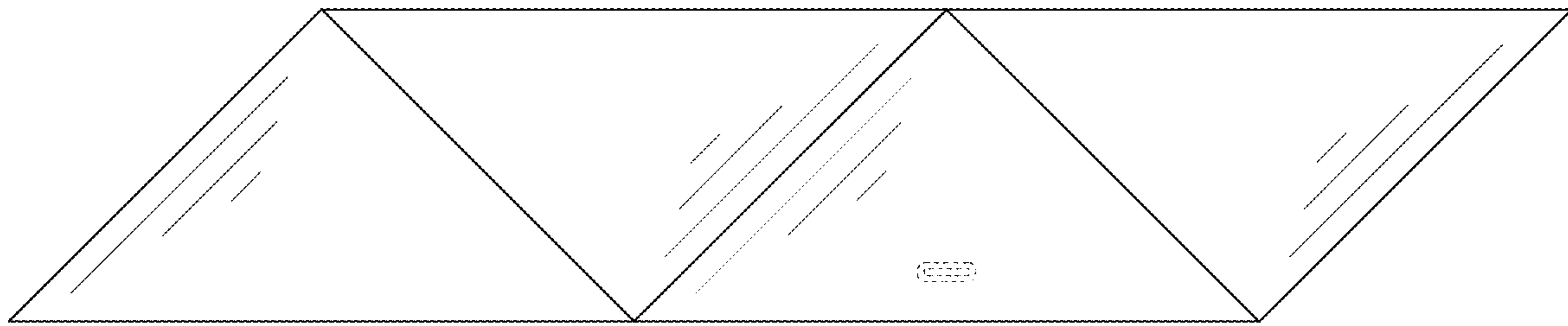


FIG. 4

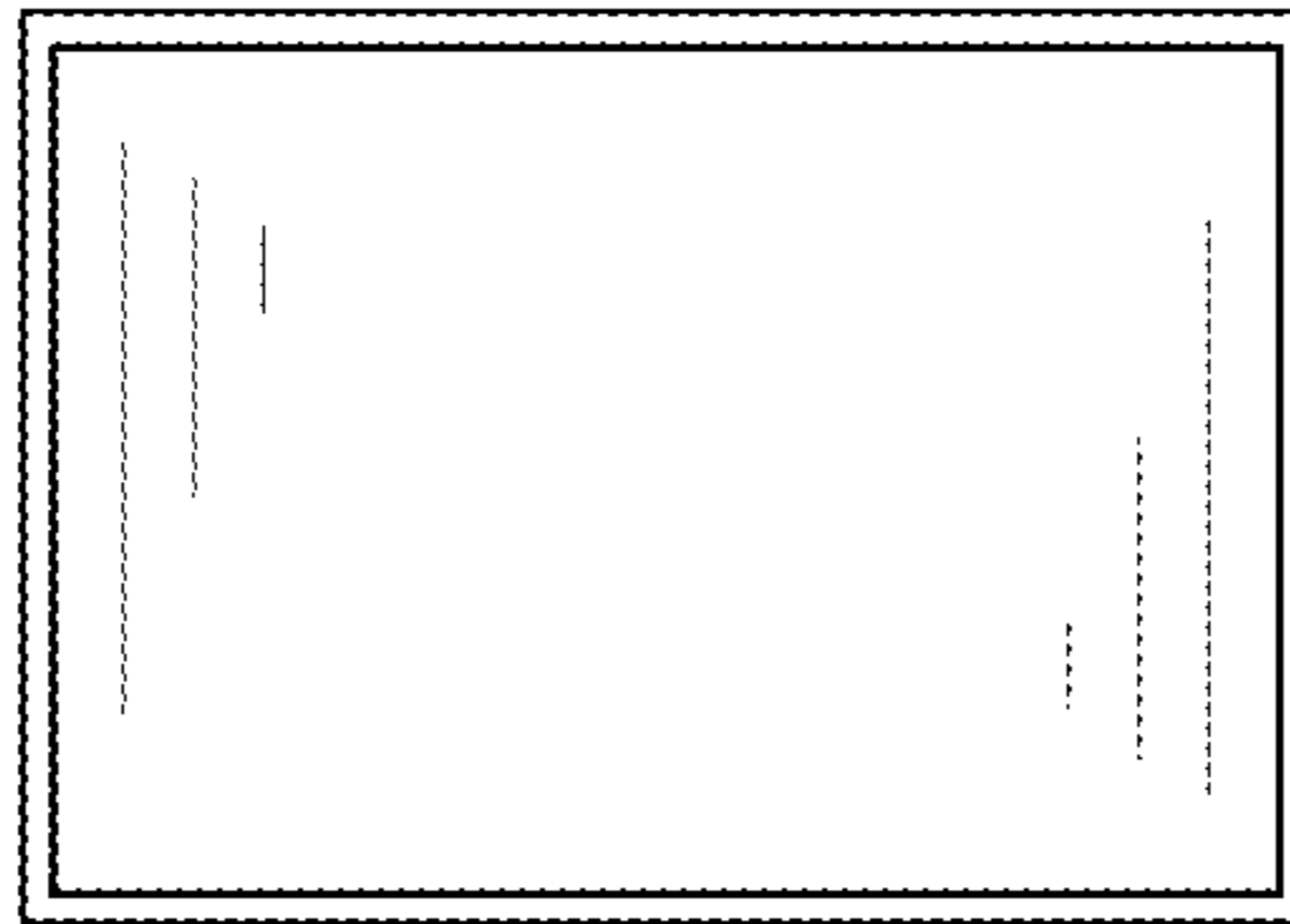


FIG. 5

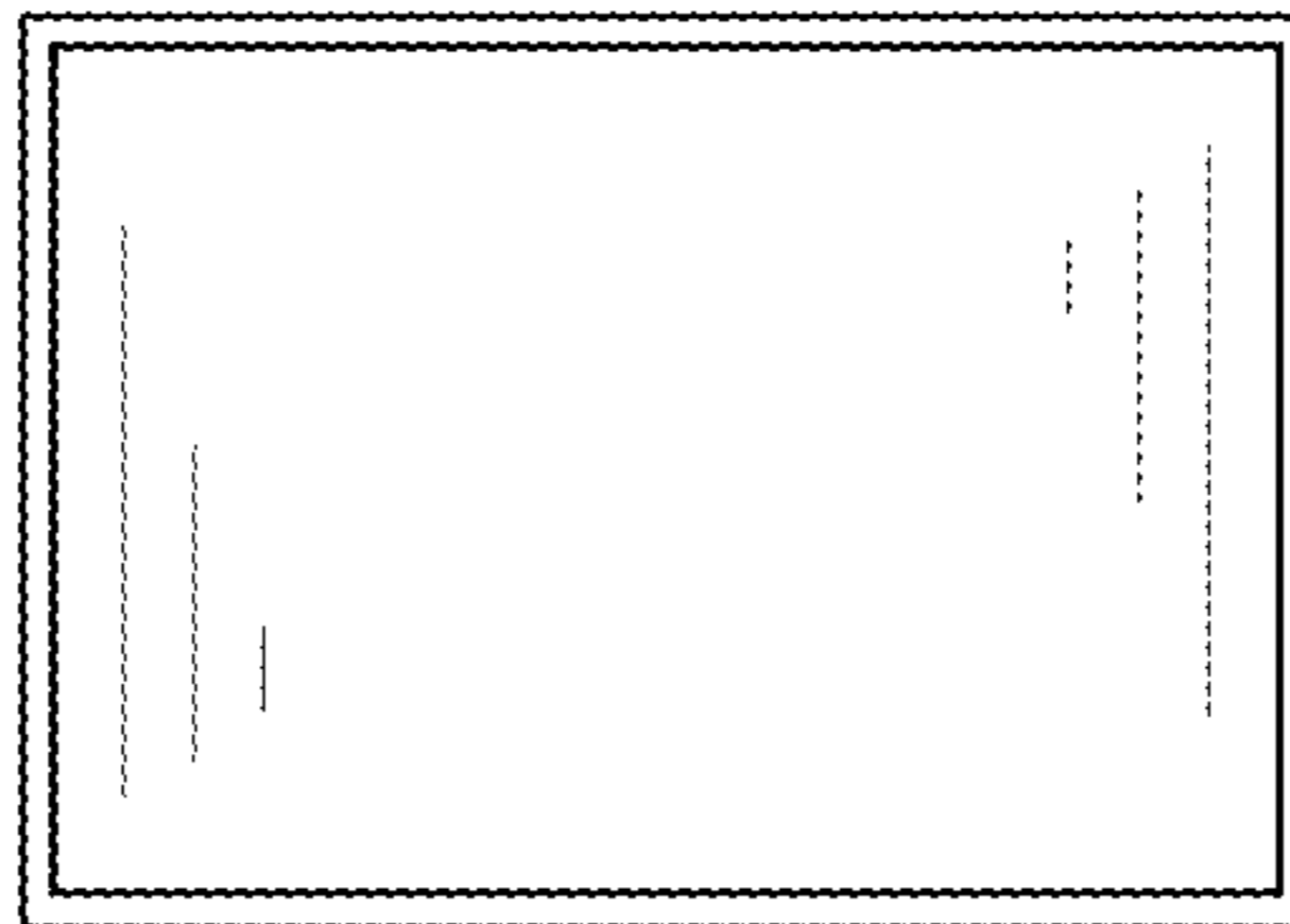


FIG. 6

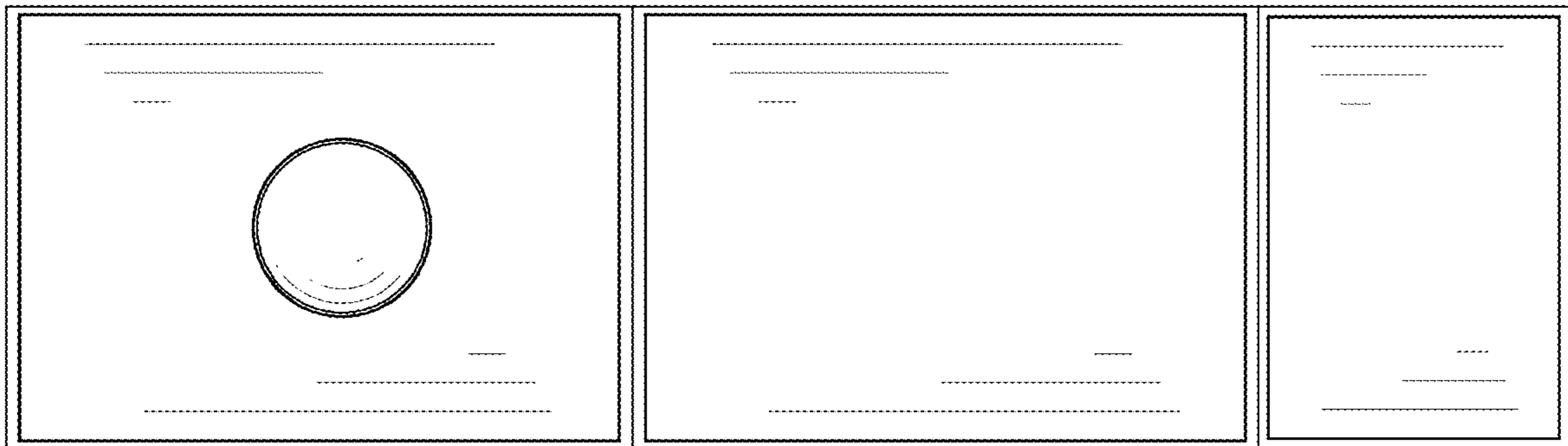


FIG. 7

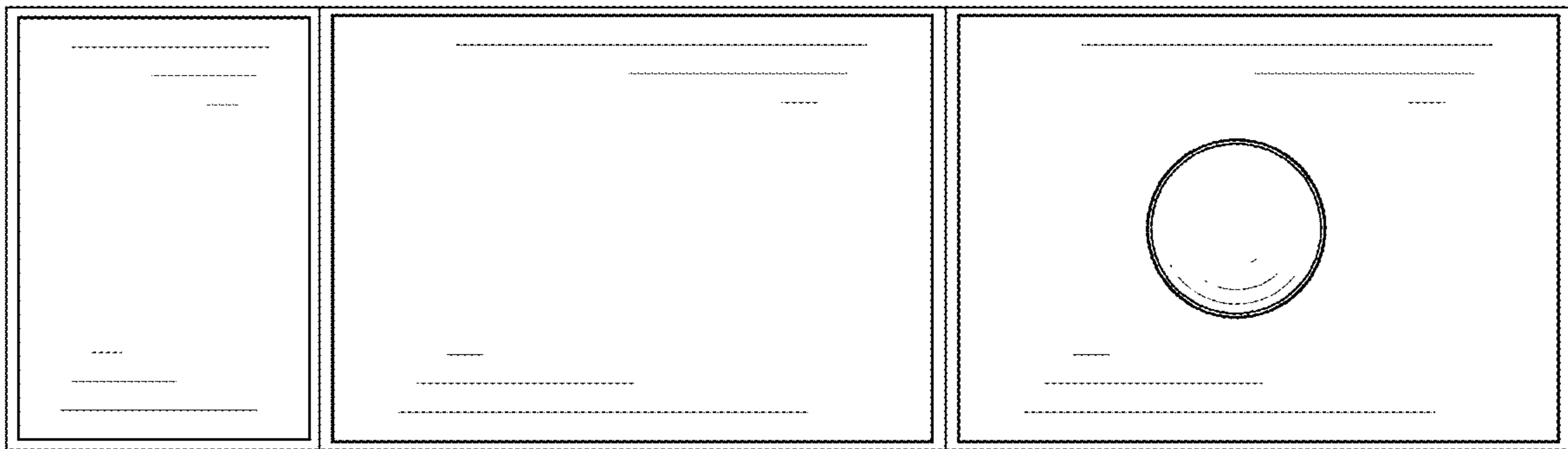


FIG. 8

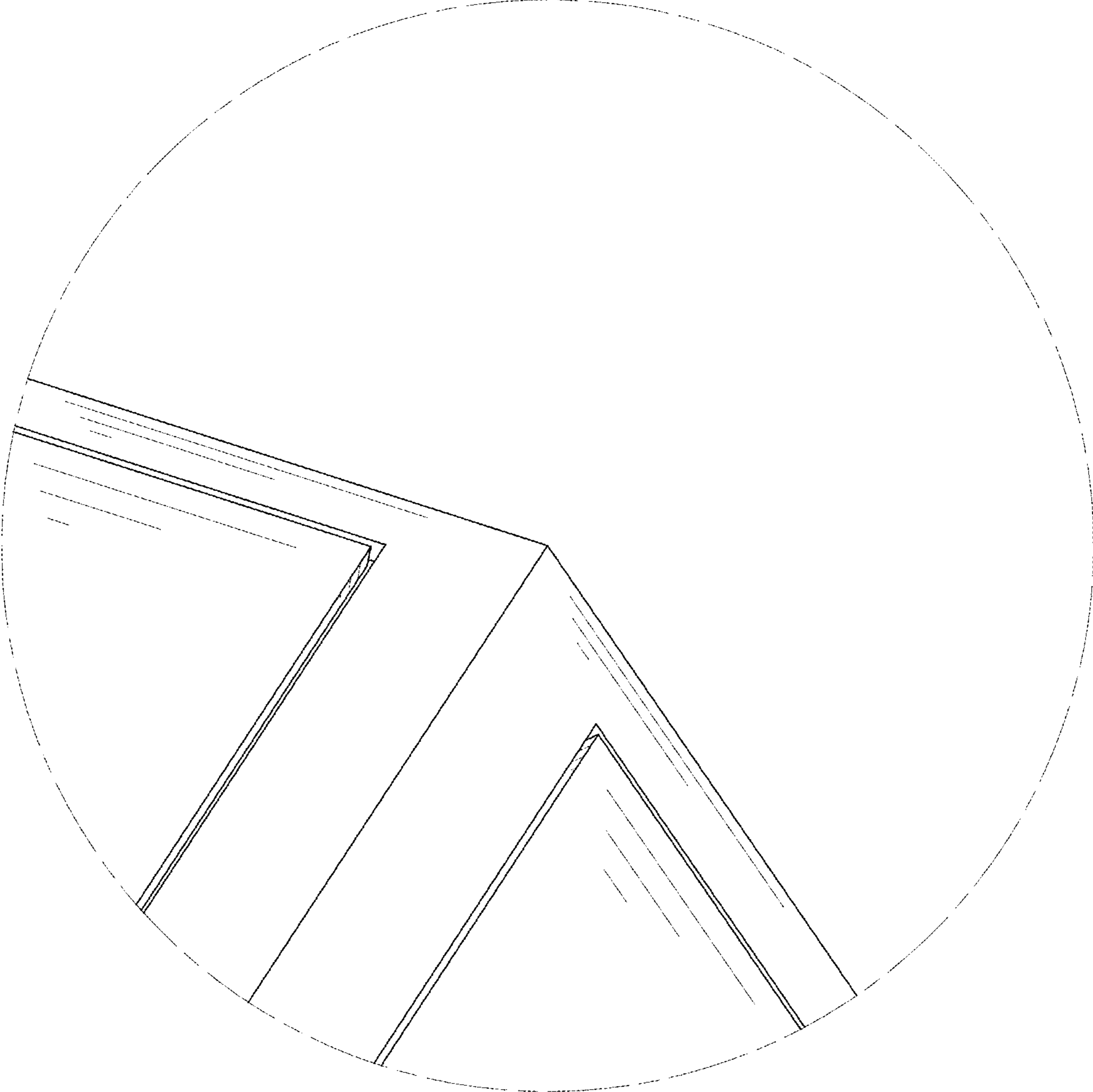


FIG. 9