



US00D976817S

(12) **United States Design Patent** (10) **Patent No.:** **US D976,817 S**
Su (45) **Date of Patent:** **** *Jan. 31, 2023**

(54) **ROTATING WIRELESS BATTERY CHARGING DEVICE**

(71) Applicant: **SUM, LLC**, Irvine, CA (US)

(72) Inventor: **Yee Su**, Irvine, CA (US)

(73) Assignee: **Yee Su**, Irvine, CA (US)

(*) Notice: This patent is subject to a terminal disclaimer.

(**) Term: **15 Years**

(21) Appl. No.: **29/667,588**

(22) Filed: **Oct. 23, 2018**

(51) **LOC (14) Cl.** **13-02**

(52) **U.S. Cl.**
USPC **D13/108**

(58) **Field of Classification Search**
USPC D13/107-110, 146, 147, 153, 155, 184,
D13/199, 154, 102-106, 118-119;
D32/31; D8/356, 358

(Continued)

(56) **References Cited**

U.S. PATENT DOCUMENTS

D620,884 S * 8/2010 Lee D13/108
D640,976 S * 7/2011 Matsuoka D13/108

(Continued)

OTHER PUBLICATIONS

Amazon.com: Sum LLC Dial Qi Wireless Charger. Date first available of Dec. 24, 2018. Retrieved from the internet at <<https://www.amazon.ca/Sum-LLC-Wireless-Compatible-Qi-Compatible/dp/B07L5VS42J/>>, Dec. 15, 2020. 1 page. (Year: 2018).*

Primary Examiner — Christy Nemeth

(74) *Attorney, Agent, or Firm* — Resonance IP Law, PC

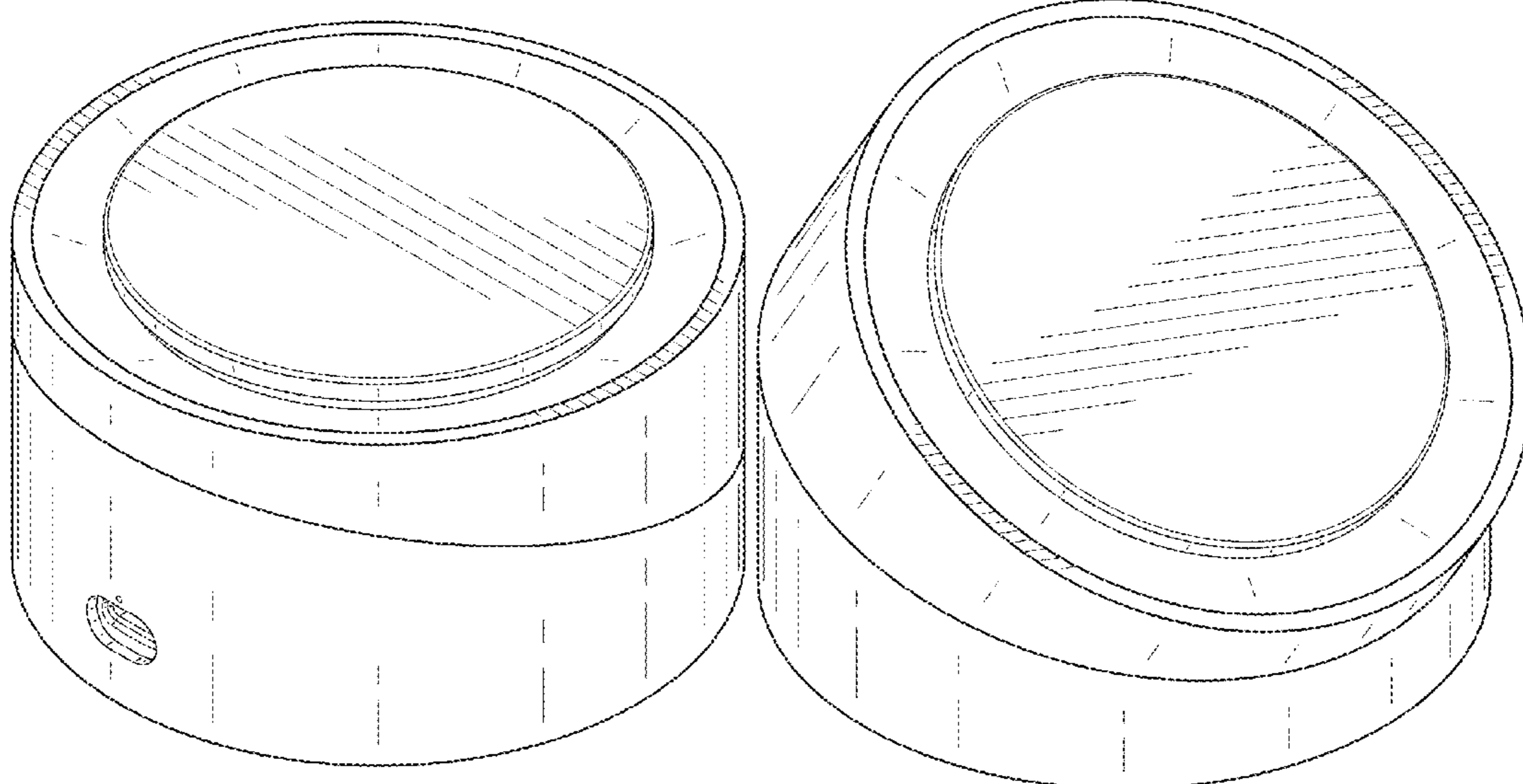
(57) **CLAIM**

The ornamental design for a rotating wireless battery charging device, substantially as shown and described.

DESCRIPTION

FIG. 1 is a top perspective view of a rotating wireless battery charging device, shown in a first orientation, according to a first embodiment of the present invention; FIG. 2 is a bottom perspective view thereof; FIG. 3 is a top view thereof; FIG. 4 is a bottom view thereof; FIG. 5 is a left side view thereof; FIG. 6 is a right side view thereof; FIG. 7 is a back view thereof; FIG. 8 is a front view thereof; FIG. 9 is a top perspective view of the rotating wireless battery charging device of FIG. 1, shown in a second orientation; FIG. 10 is a right side view thereof; FIG. 11 is a left side view thereof; FIG. 12 is a back view thereof; FIG. 13 is a front view thereof; FIG. 14 is a top perspective view of a rotating wireless battery charging device, shown in a first orientation, according to a second embodiment of the present invention; FIG. 15 is a bottom perspective view thereof; FIG. 16 is a top view thereof; FIG. 17 is a bottom view thereof; FIG. 18 is a left side view thereof; FIG. 19 is a right side view thereof; FIG. 20 is a back view thereof; FIG. 21 is a front view thereof; FIG. 22 is a top perspective view of the rotating wireless battery charging device of FIG. 14, shown in a second orientation; FIG. 23 is a right side view thereof; FIG. 24 is a left side view thereof; FIG. 25 is a back view thereof; and, FIG. 26 is a front view thereof.
The broken lines in the drawings are for the purpose of illustrating portions of the article that form no part of the claimed design.

1 Claim, 14 Drawing Sheets



(58) **Field of Classification Search**

CPC Y02E 60/12; Y02E 60/10; H02J 7/025;
 H02J 7/0042; H02J 7/0044; H02J 7/0045;
 H02J 7/0003; H02J 7/0027; H02J 7/0013;
 H02J 7/0054; H02J 7/00; H02J 2001/008;
 H02J 3/32; H02J 3/008; H02J 7/0011;
 H02J 7/0055; H02J 7/0057; H01F 38/14;
 H01R 13/6675; H01R 13/66; H01M
 2/1022; H01M 2/1055; H01M 10/44;
 H01M 10/46; H01M 10/425; H01M 6/00;
 H01M 6/14; H01M 6/05; H01M 6/10;
 H01M 10/052; B60L 11/182; B60L
 11/1809; B60L 11/1861; B60R 16/03

See application file for complete search history.

(56) **References Cited**

U.S. PATENT DOCUMENTS

D662,939 S * 7/2012 Akana D14/447
 D671,998 S * 12/2012 Rodriguez, Jr. D21/662
 D674,342 S * 1/2013 Ho D13/110
 D697,027 S * 1/2014 Ho D13/108
 D701,831 S * 4/2014 Park D13/108
 D725,285 S * 3/2015 Wohlstadter D14/336
 D757,010 S * 5/2016 Kang D14/420
 D774,455 S * 12/2016 Kim D13/108
 D779,603 S * 2/2017 Saenz D21/710
 D780,728 S * 3/2017 Shin D14/242
 D786,200 S * 5/2017 Lagerstedt D14/240
 D786,792 S * 5/2017 Miller D13/110
 D791,700 S * 7/2017 Loewen D13/108
 D796,433 S * 9/2017 Langhammer D13/108

D798,808 S * 10/2017 Ptok D13/108
 D800,060 S * 10/2017 Solland D3/273
 D806,072 S * 12/2017 Gummalla D14/240
 D806,709 S * 1/2018 Gummalla D14/240
 D807,826 S * 1/2018 Miller D13/133
 D809,456 S * 2/2018 Miller D13/110
 D816,046 S * 4/2018 Kiong D14/218
 D832,264 S * 10/2018 Kim D14/434
 D837,148 S * 1/2019 Brown D13/103
 D851,035 S * 6/2019 Hong D13/108
 D855,567 S * 8/2019 Cai D13/108
 D859,307 S * 9/2019 Campos D13/108
 D859,401 S * 9/2019 Kim D14/240
 D860,198 S * 9/2019 Engwall D14/356
 D861,602 S * 10/2019 Feng D13/108
 D868,067 S * 11/2019 Guarniere D14/432
 D872,015 S * 1/2020 Choi D13/108
 D875,675 S * 2/2020 Zhang D13/108
 D877,073 S * 3/2020 Zheng D13/108
 D883,200 S * 5/2020 Wong D13/108
 D883,921 S * 5/2020 Ryu D13/108
 D884,619 S * 5/2020 Liao D13/108
 D890,700 S * 7/2020 Kawamoto D13/110
 D892,043 S * 8/2020 Raghunathan D13/108
 D896,751 S * 9/2020 Ebrahimi Afrouzi D13/110
 D897,282 S * 9/2020 Ye D13/107
 D897,285 S * 9/2020 Walsh D13/108
 D900,812 S * 11/2020 Friedman D24/188
 D901,379 S * 11/2020 Choi D13/108
 D901,380 S * 11/2020 Tsai D13/108
 D928,704 S * 8/2021 Ebrahimi Afrouzi D13/110
 D936,006 S * 11/2021 Siciliano D13/110
 D953,981 S * 6/2022 Parcon D13/108
 D958,740 S * 7/2022 Zhang D13/110

* cited by examiner

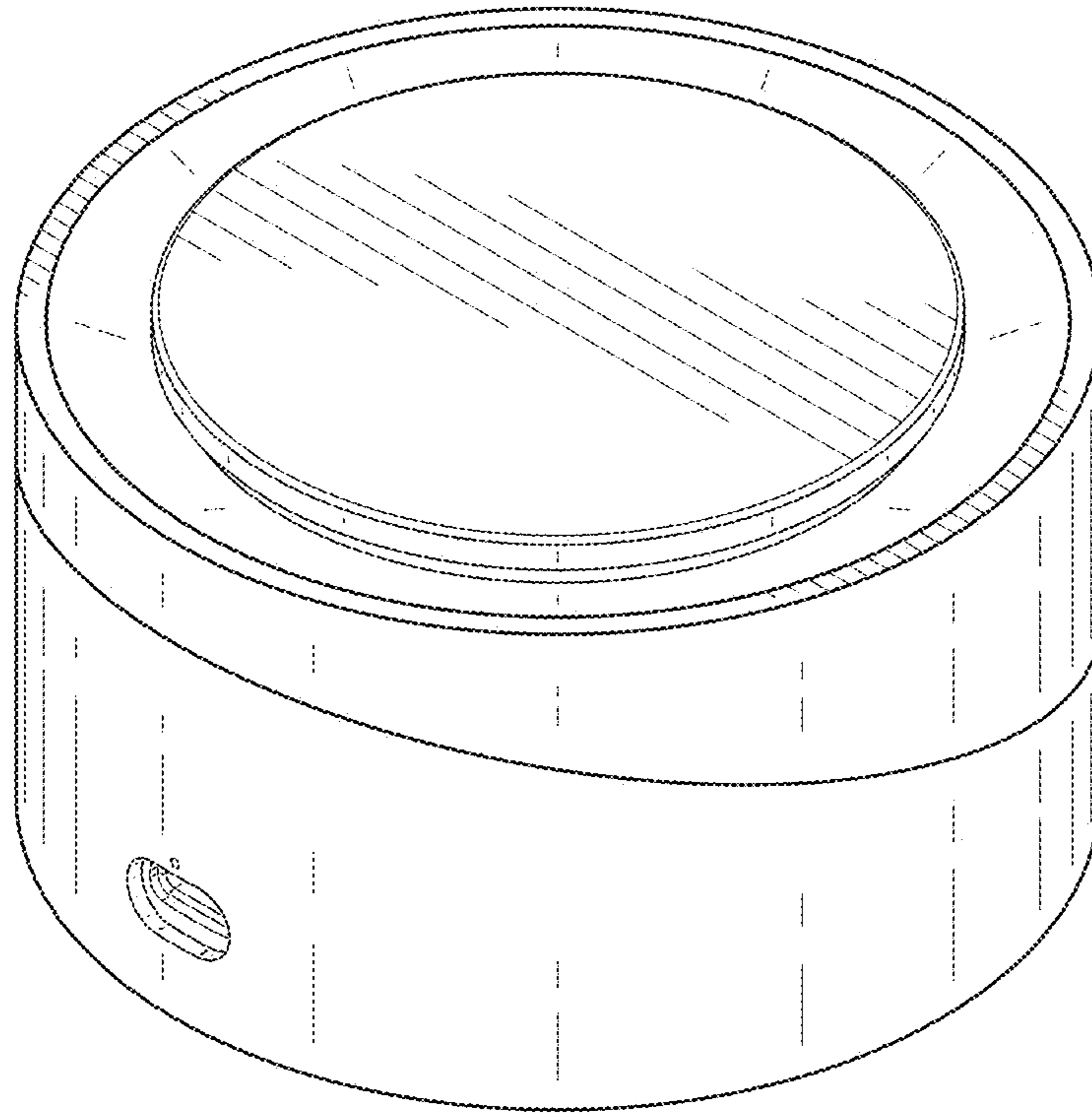


FIG. 1

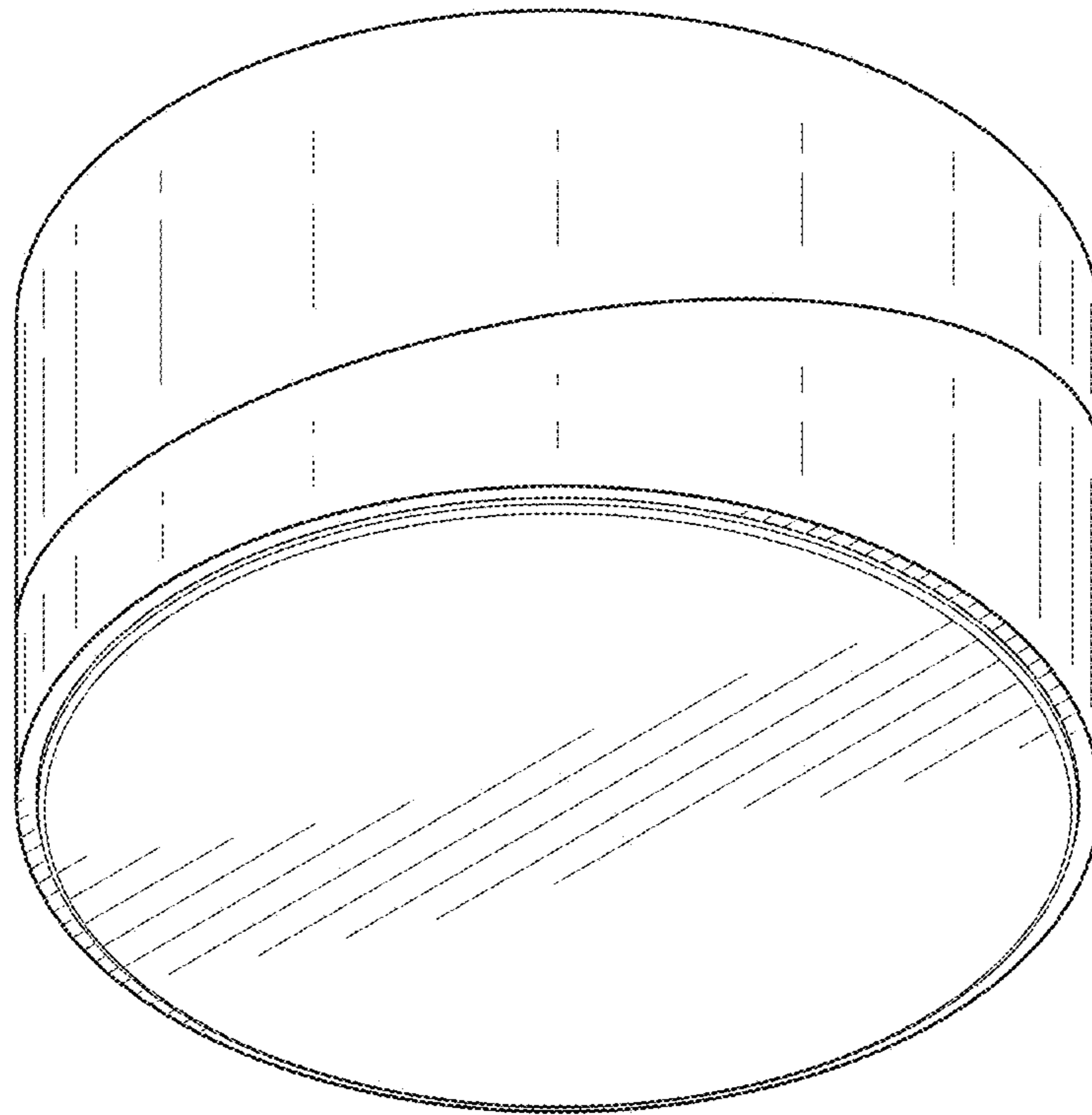


FIG. 2

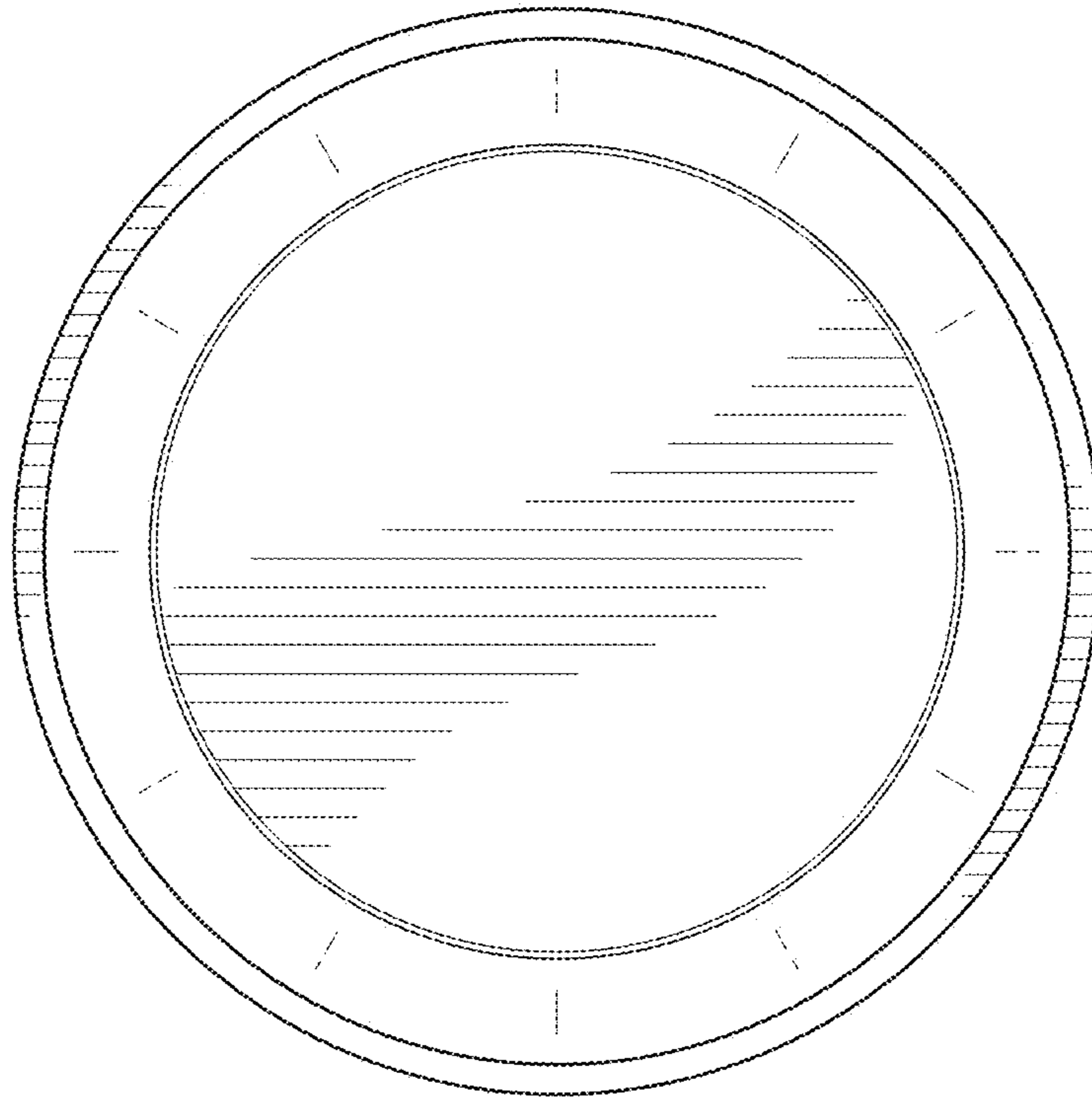


FIG. 3

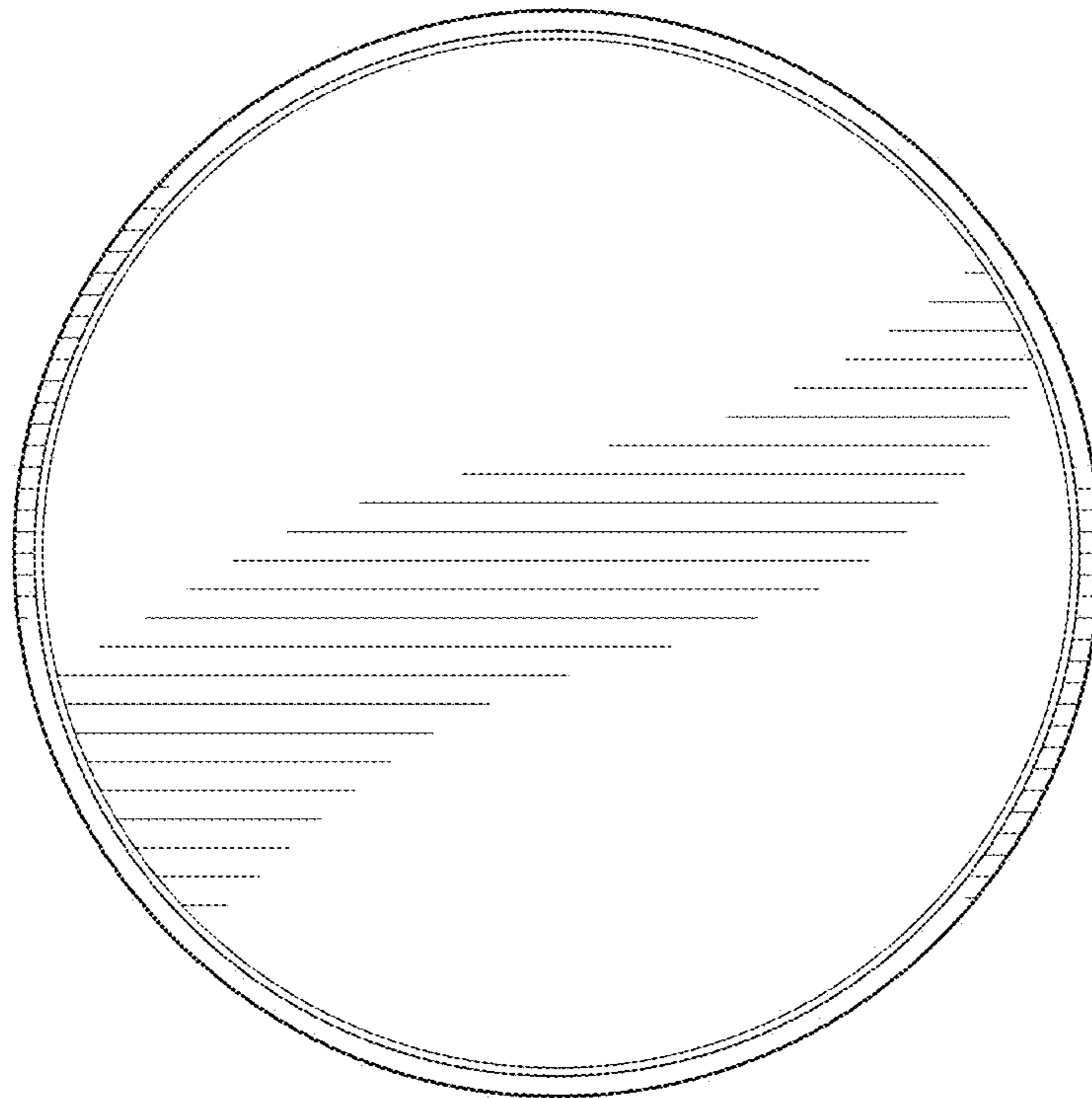


FIG. 4

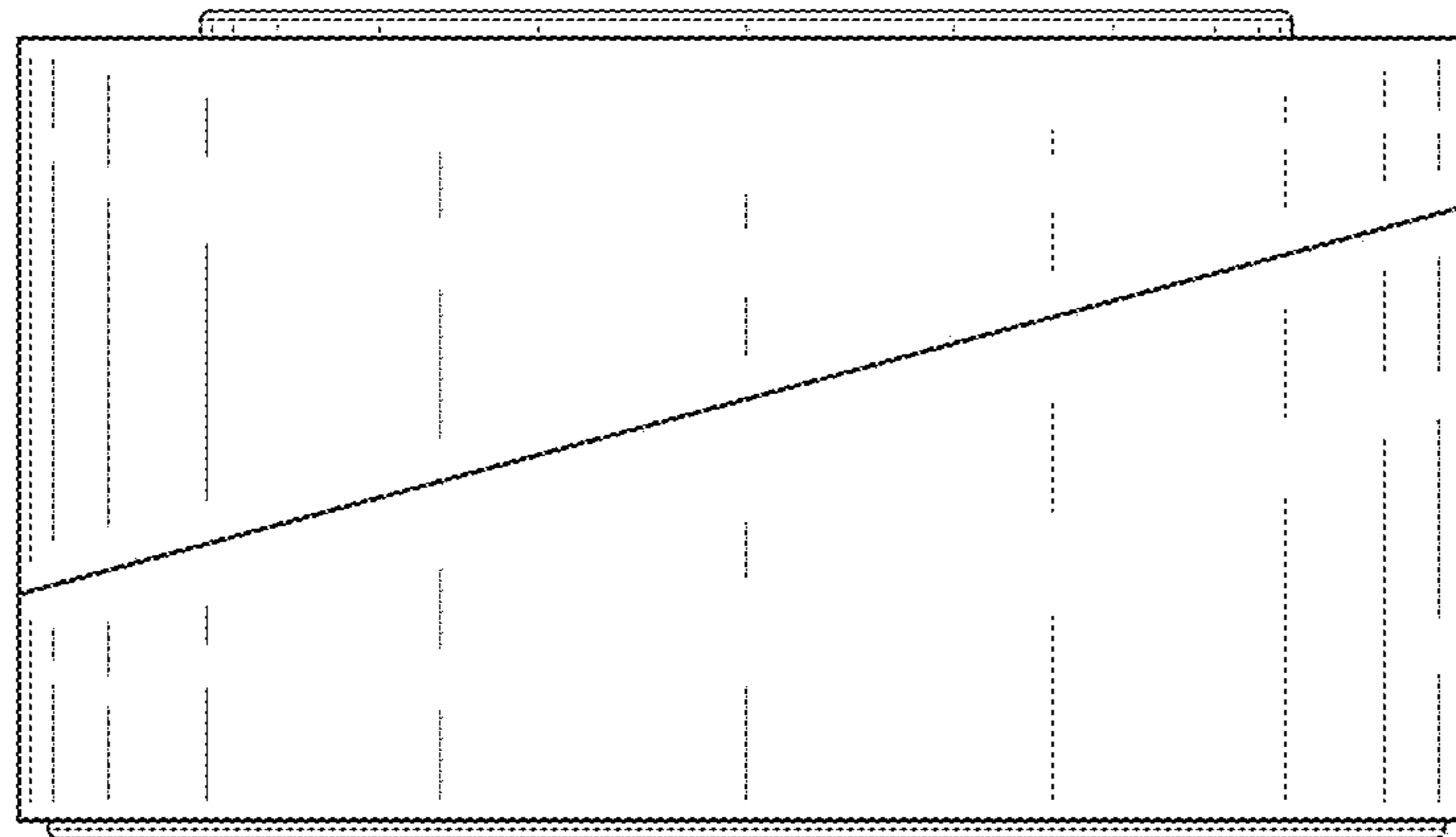


FIG. 5

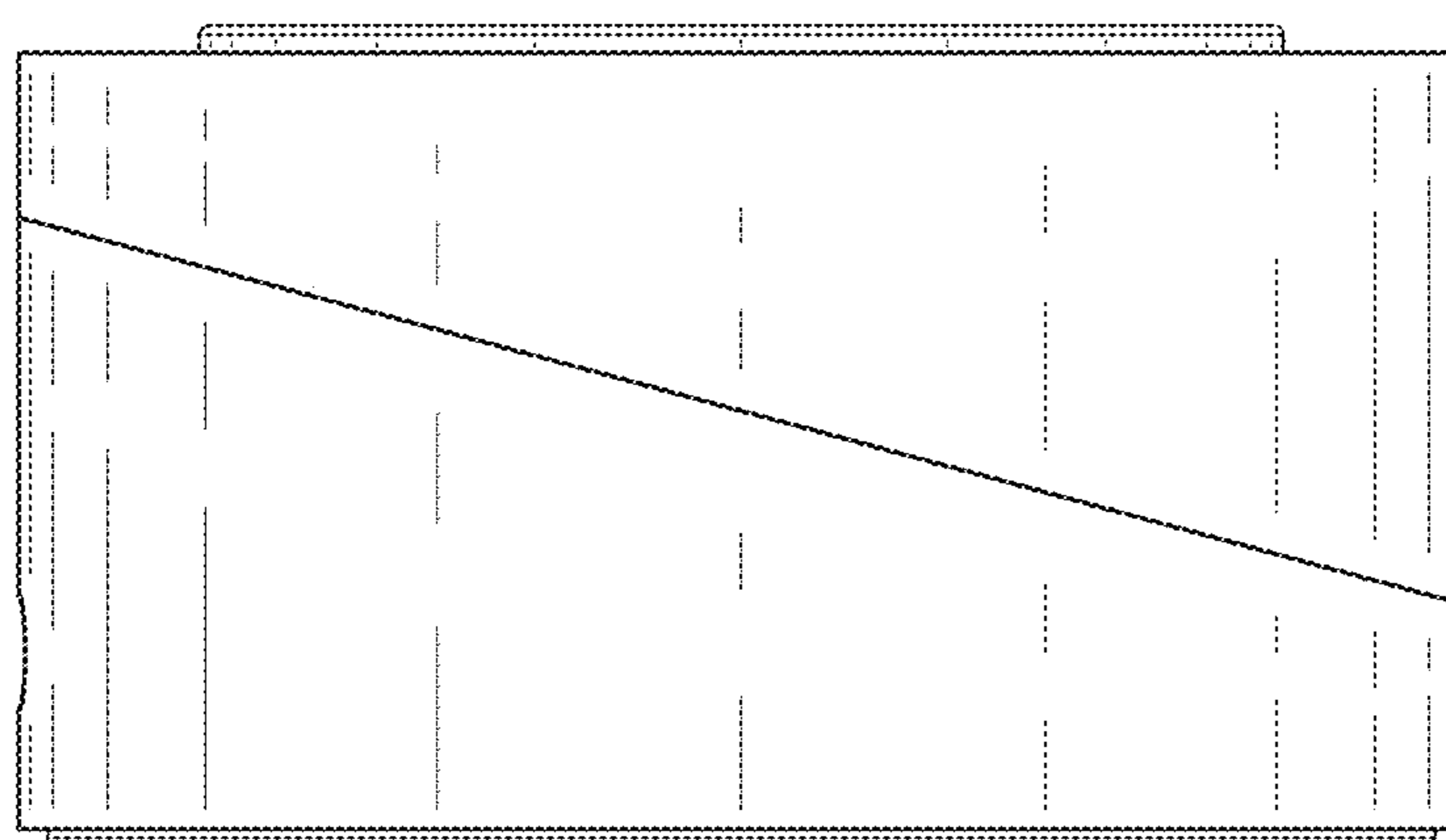


FIG. 6

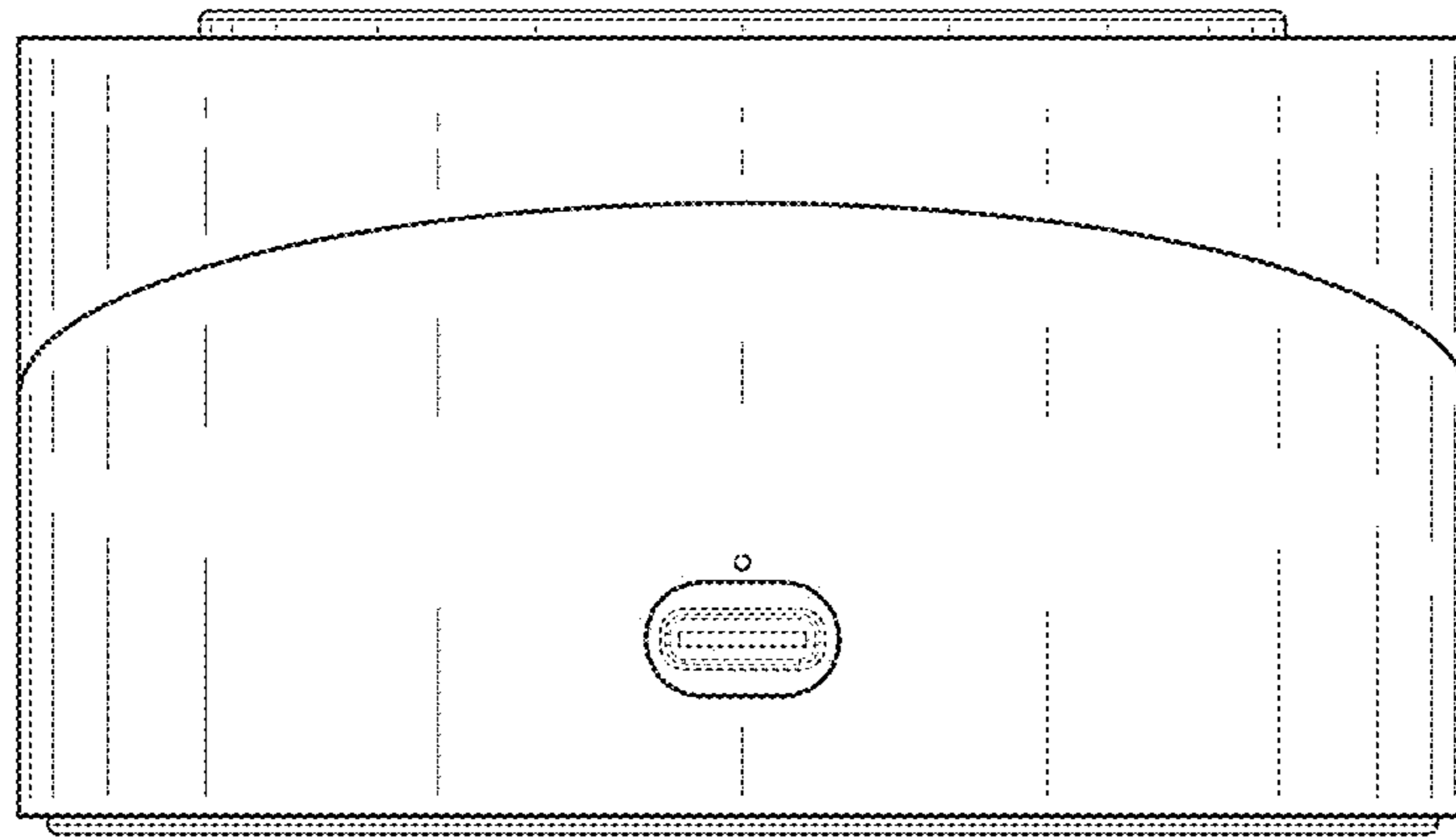


FIG. 7

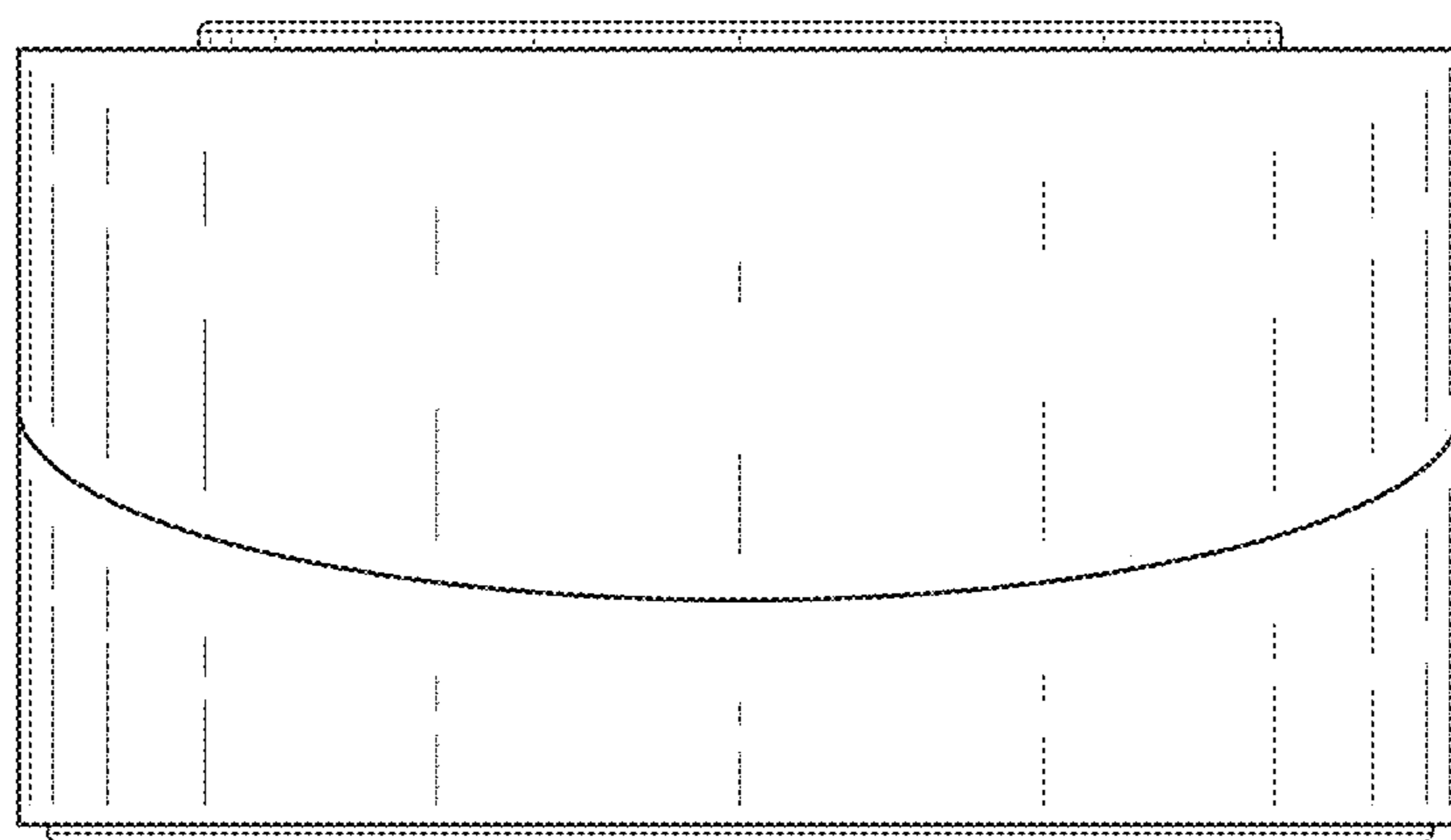


FIG. 8

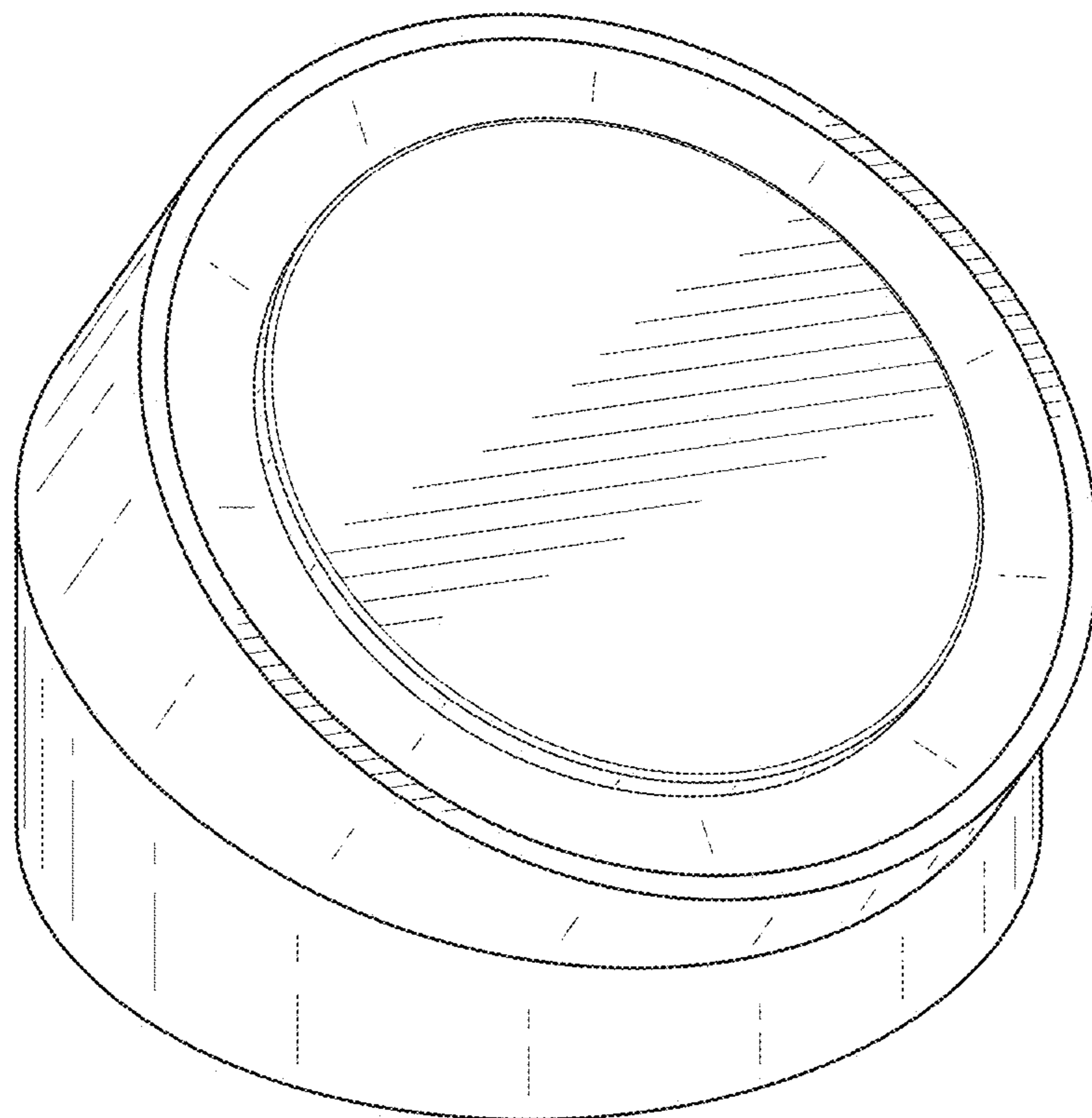


FIG. 9

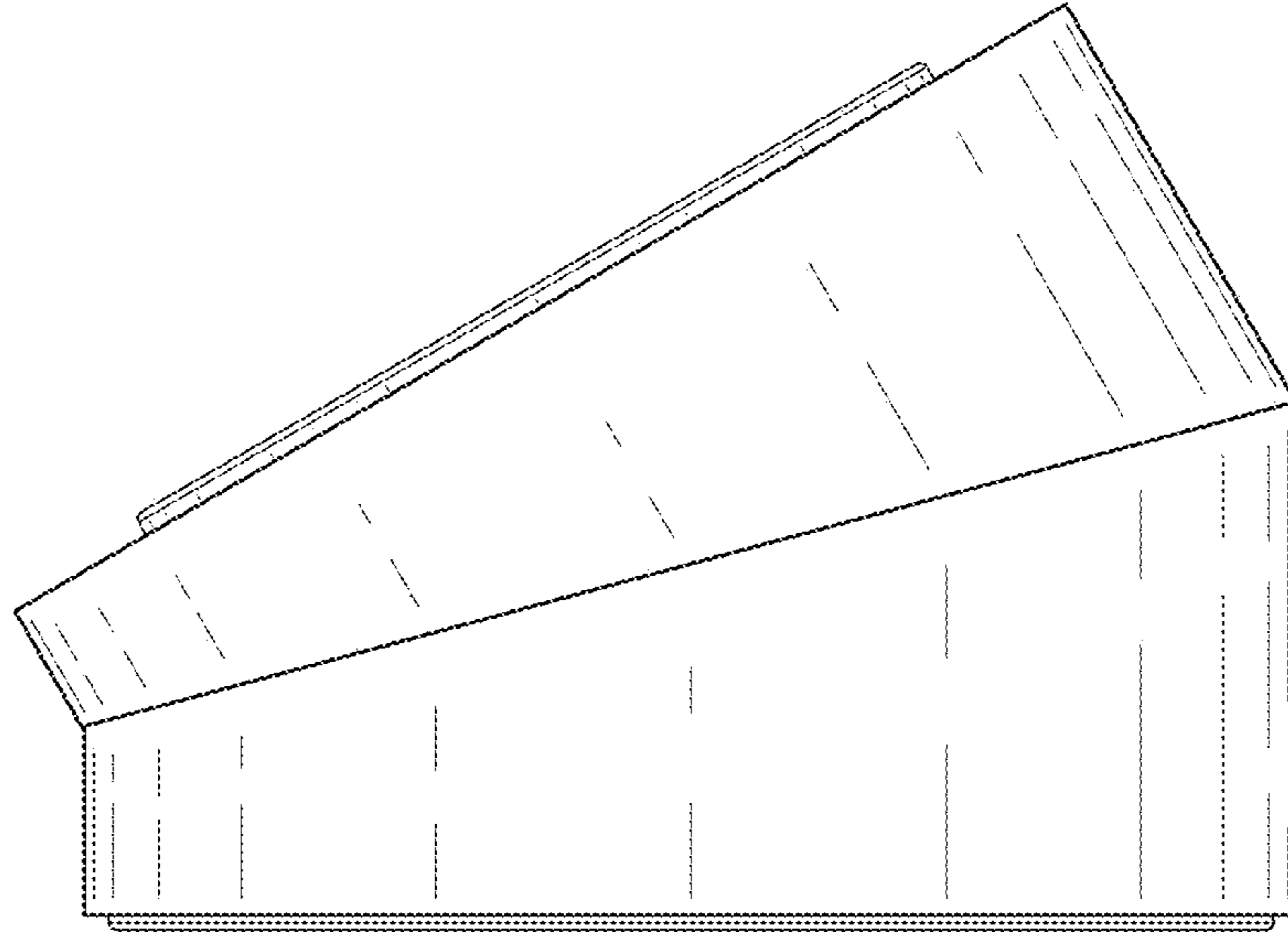


FIG. 10

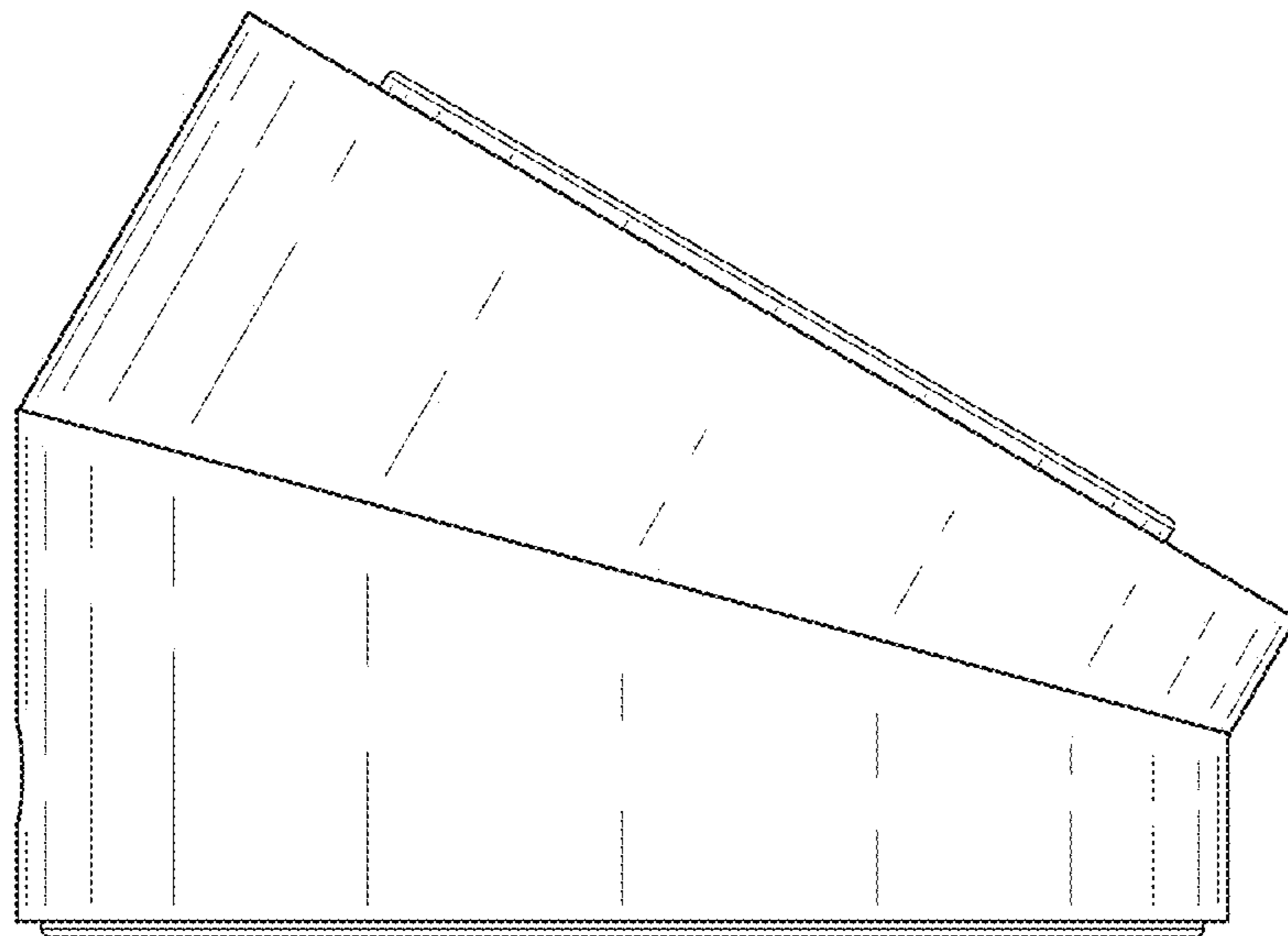


FIG. 11

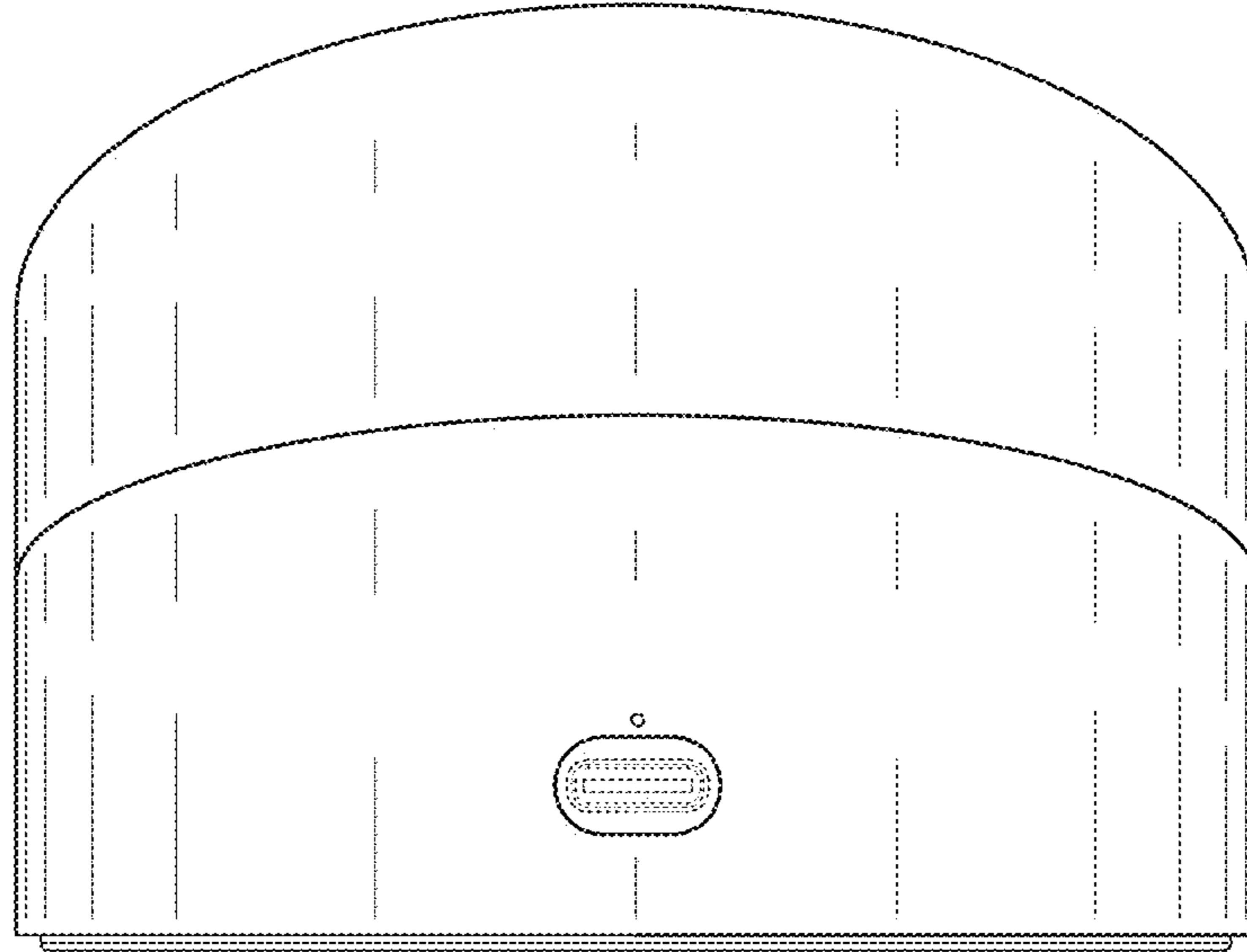


FIG. 12

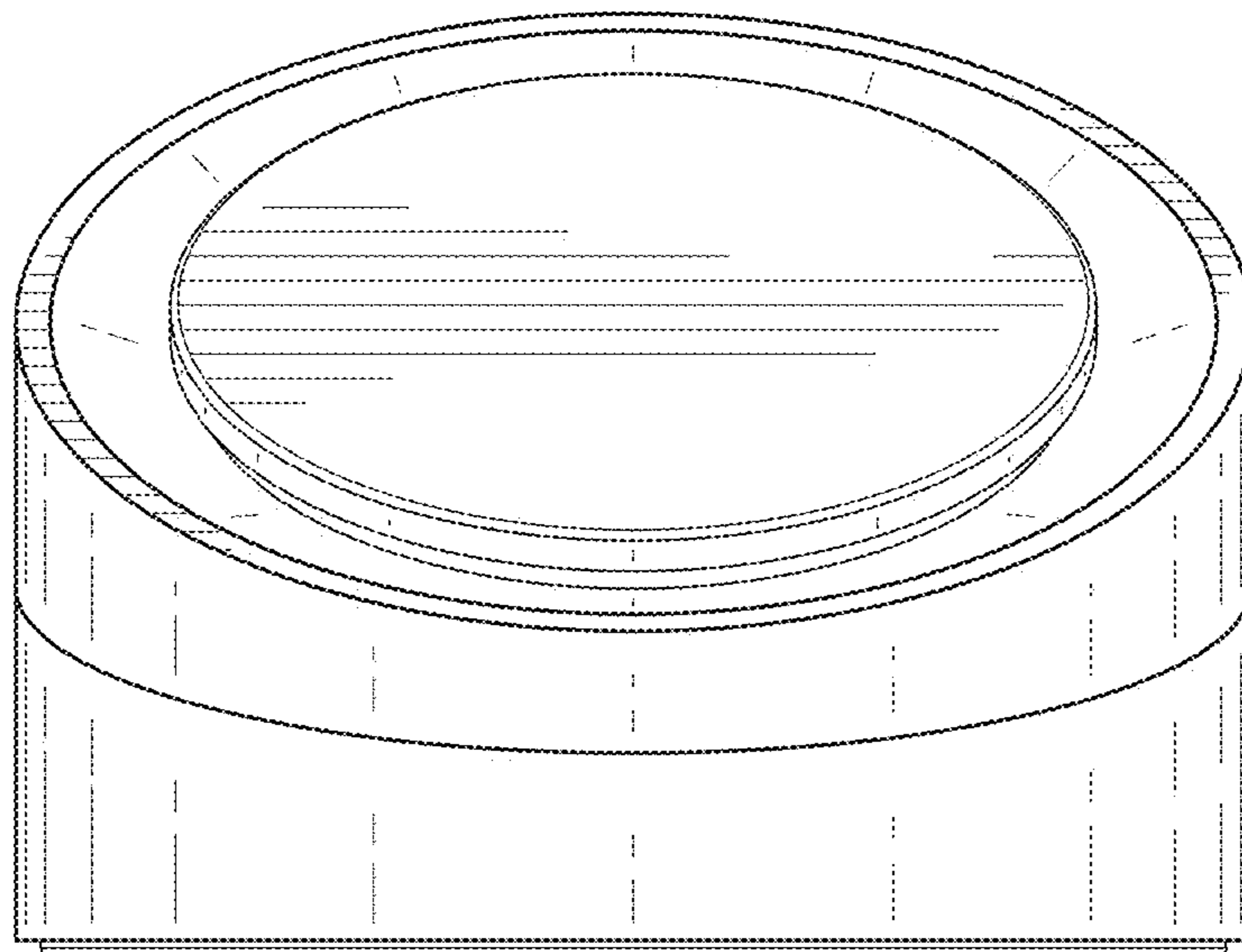


FIG. 13

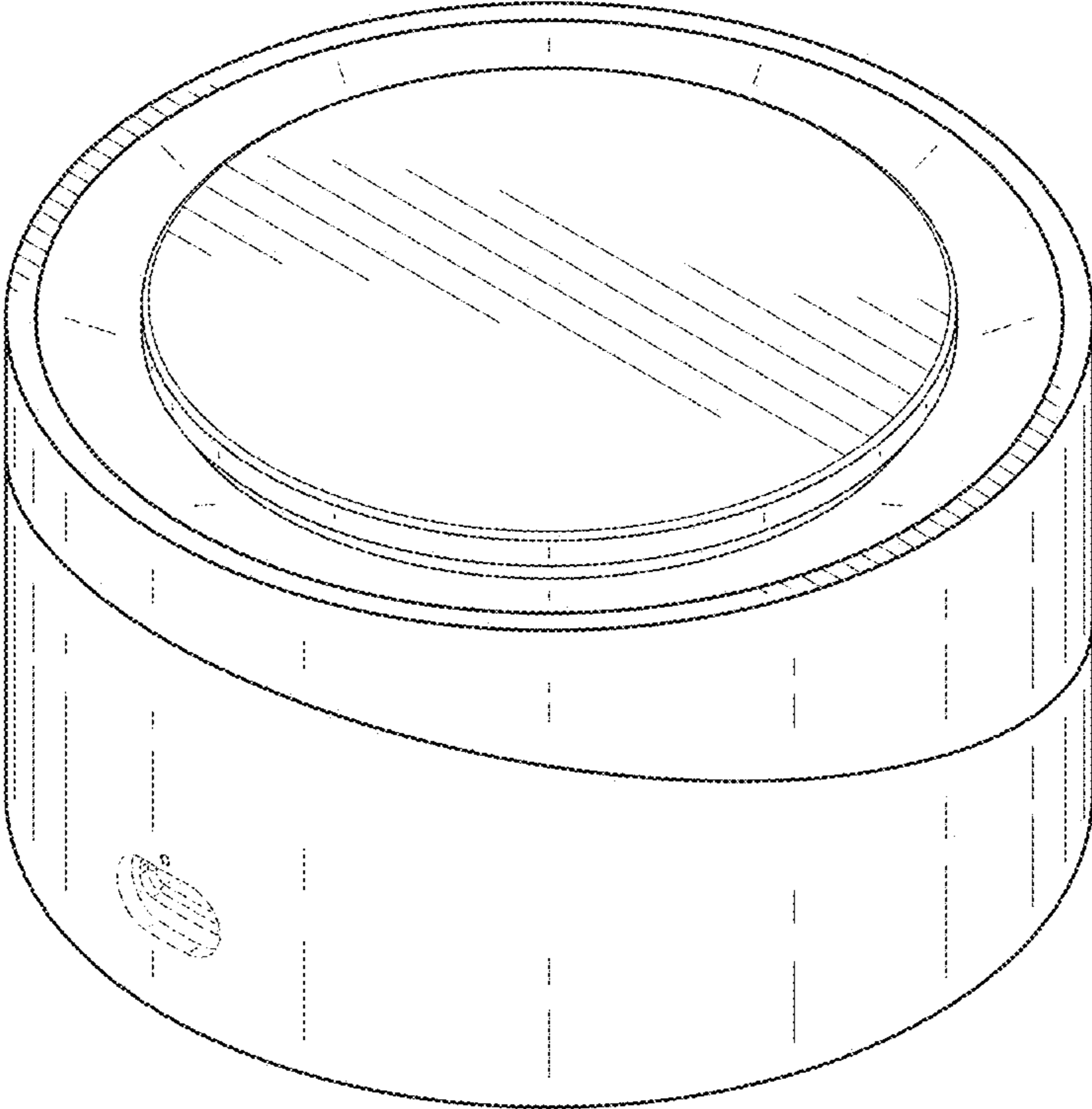


FIG. 14

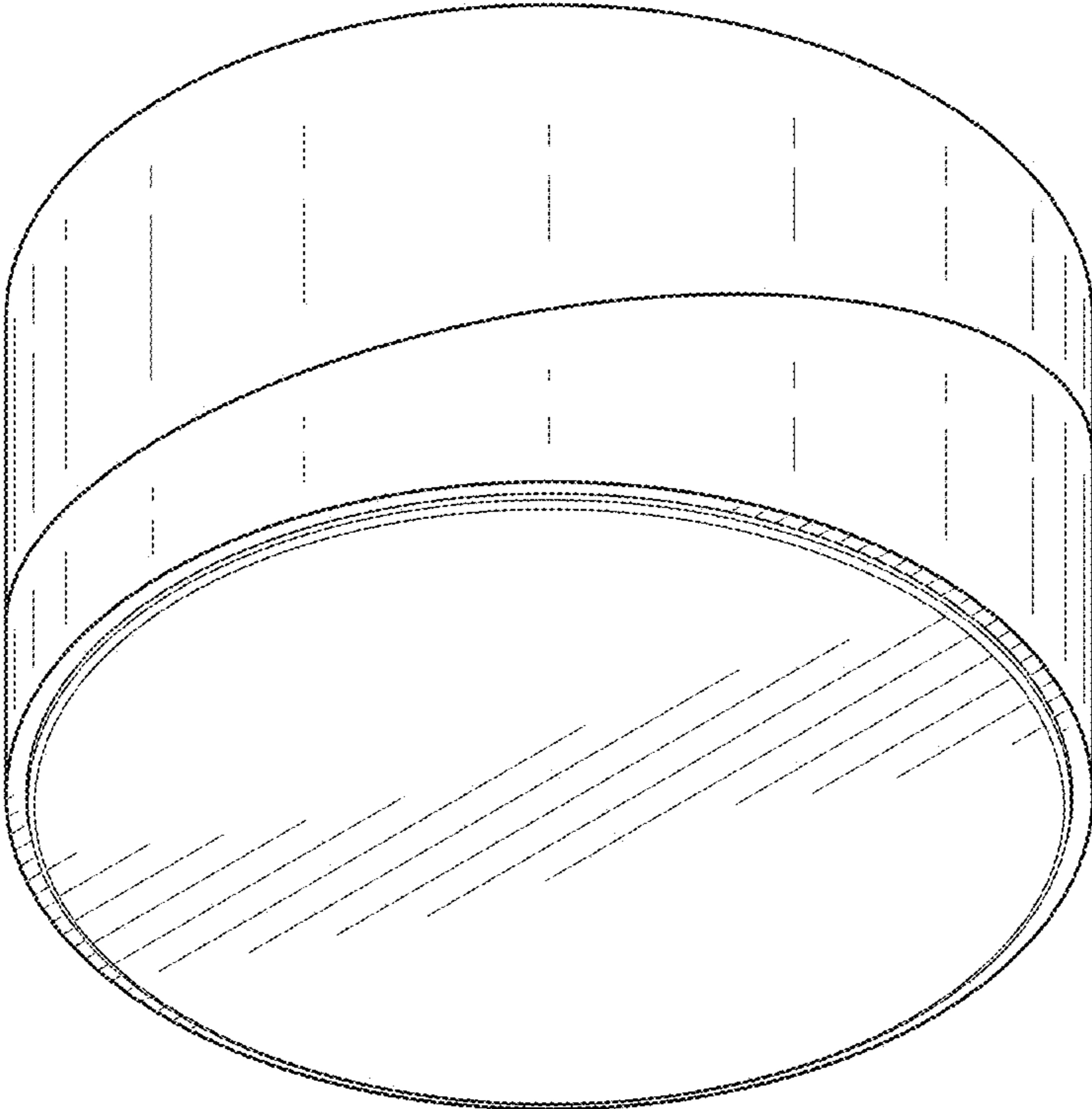


FIG. 15

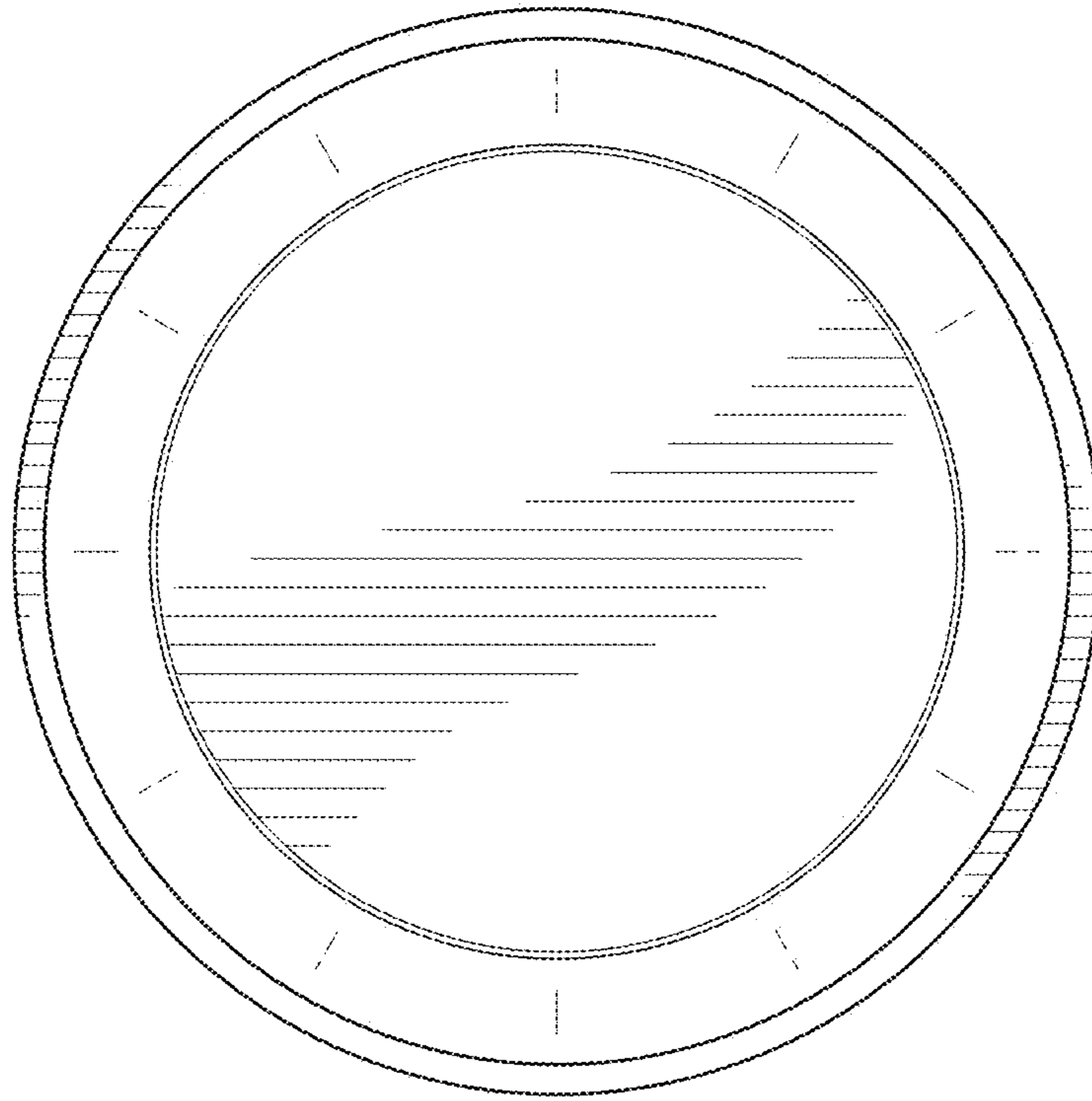


FIG. 16

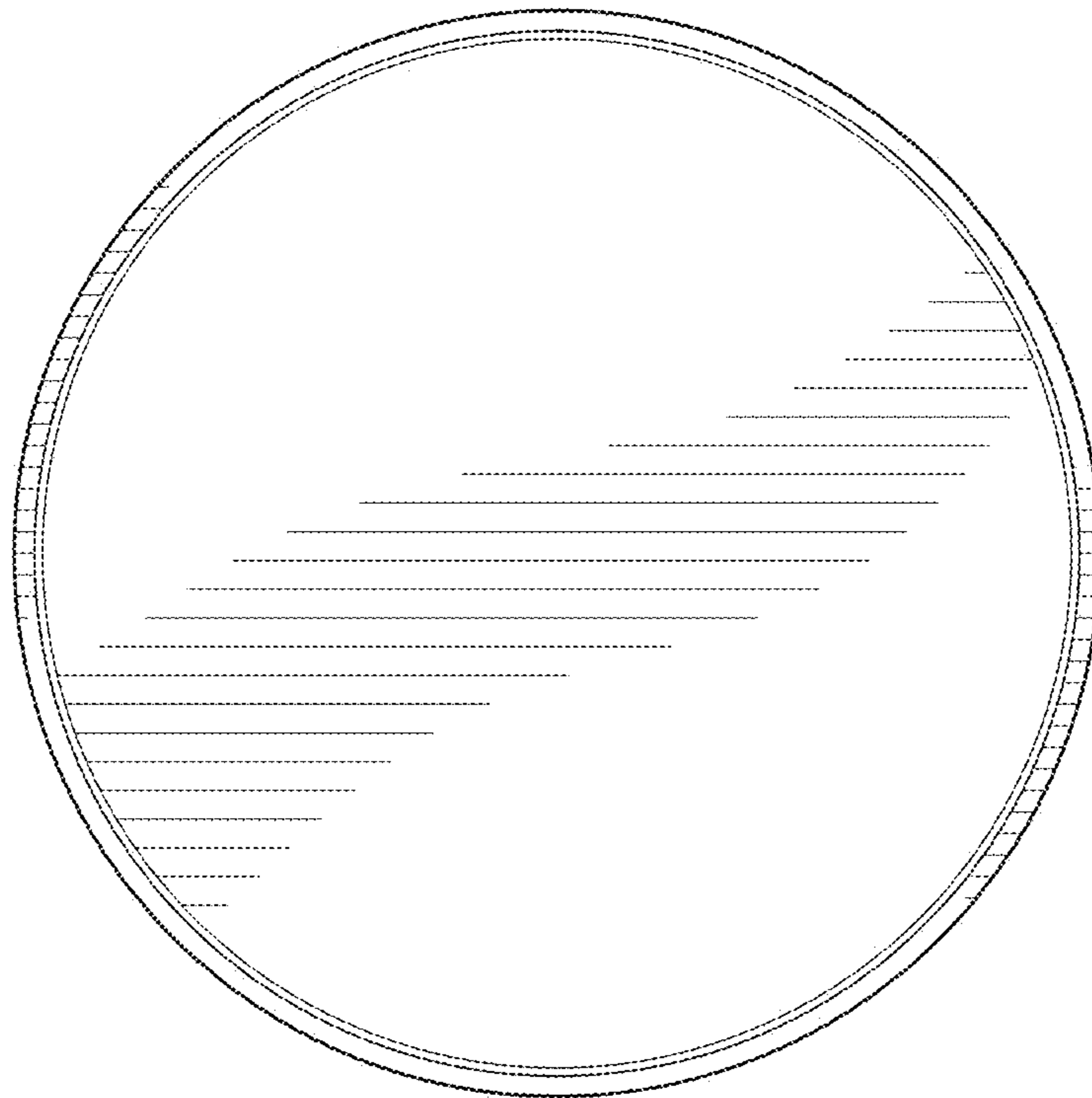


FIG. 17

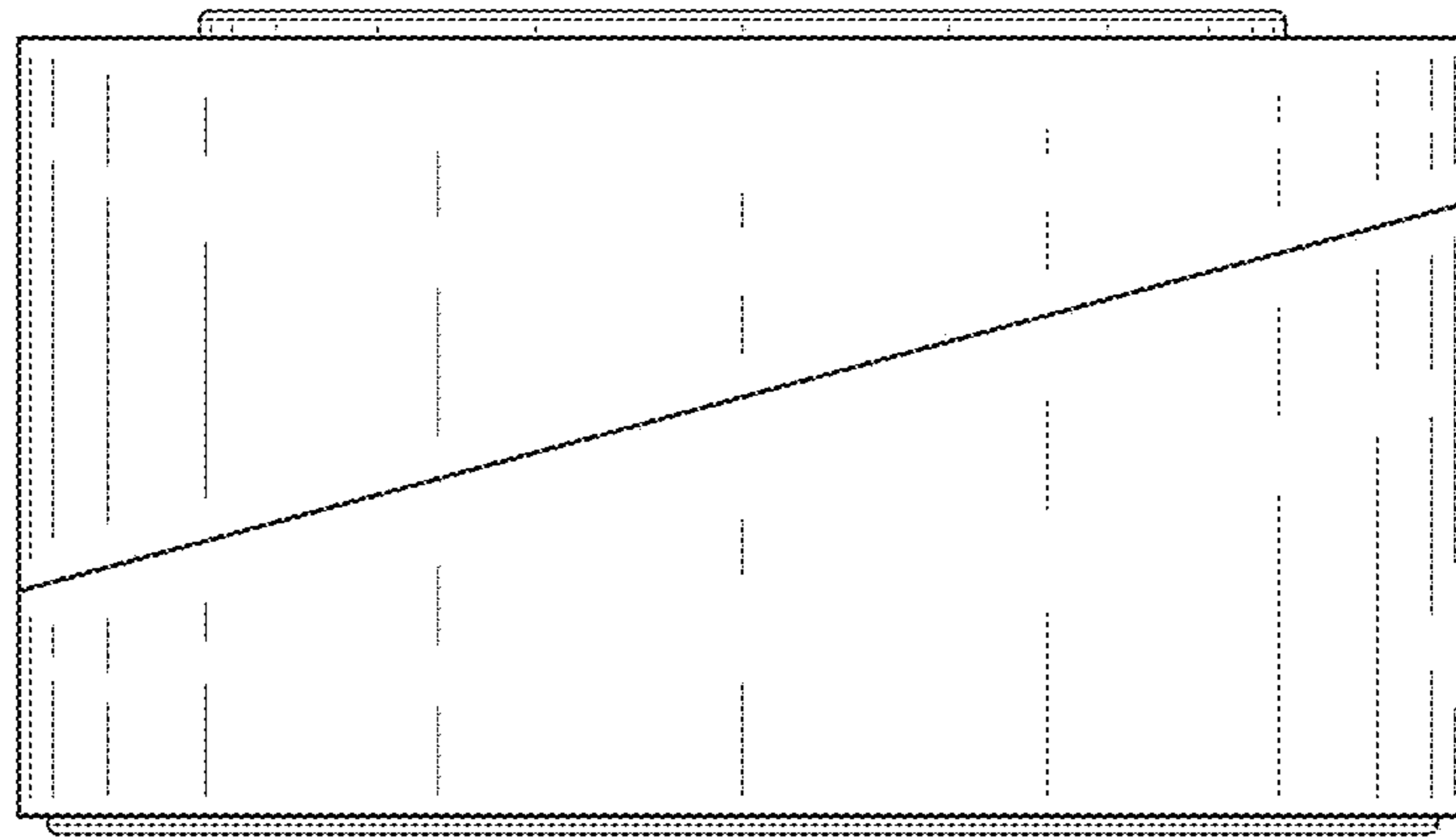


FIG. 18

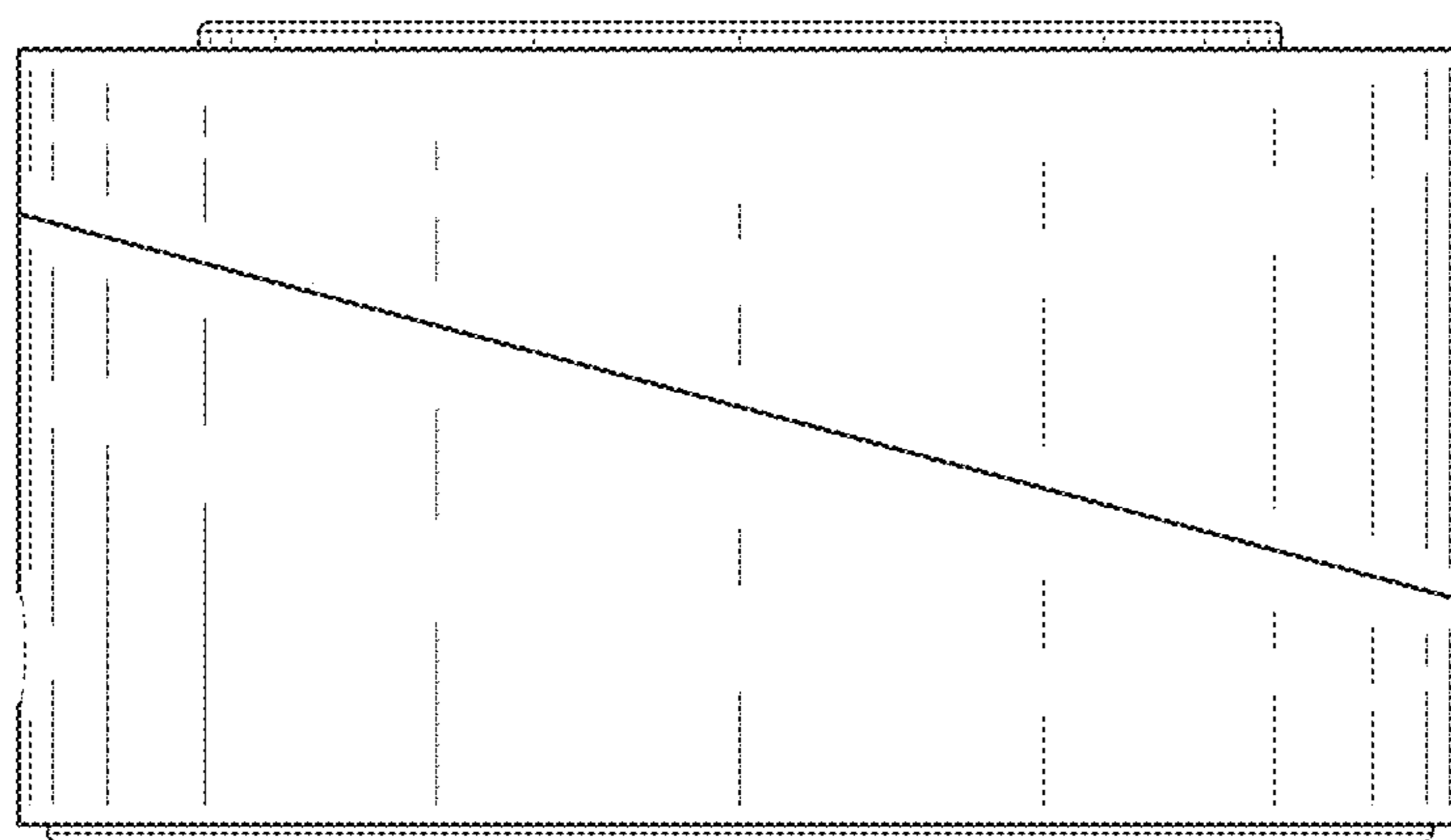


FIG. 19

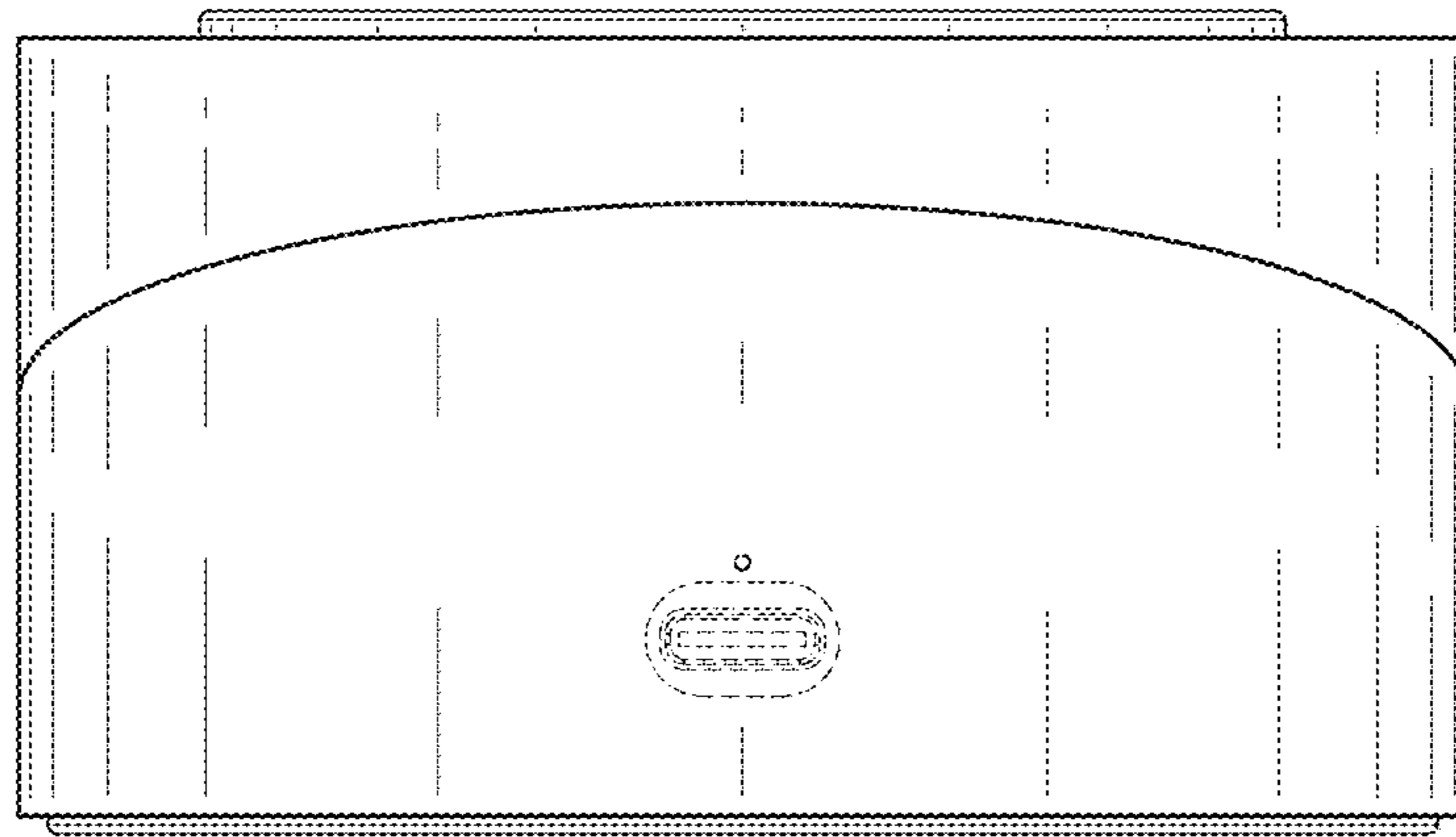


FIG. 20

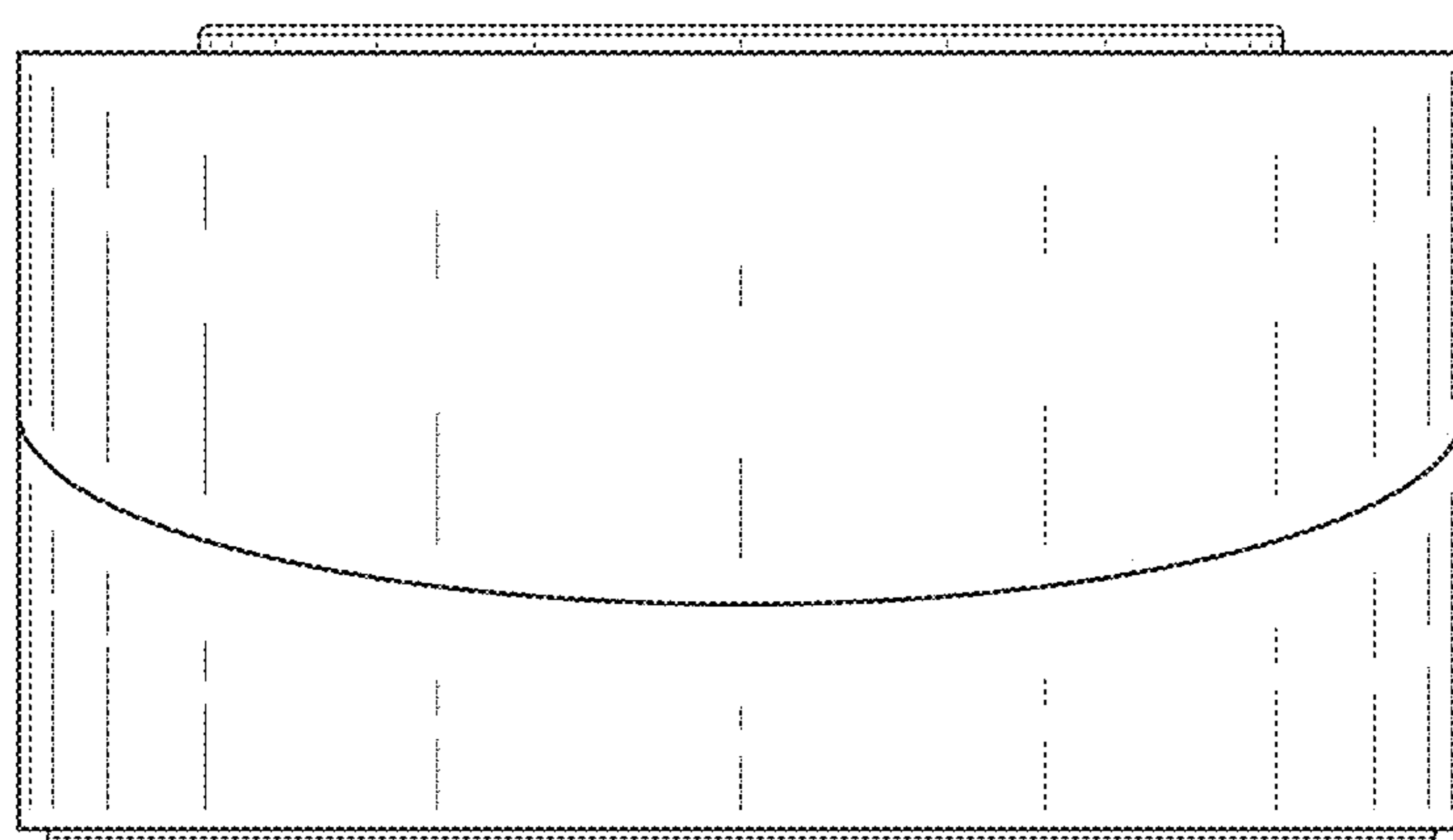


FIG. 21

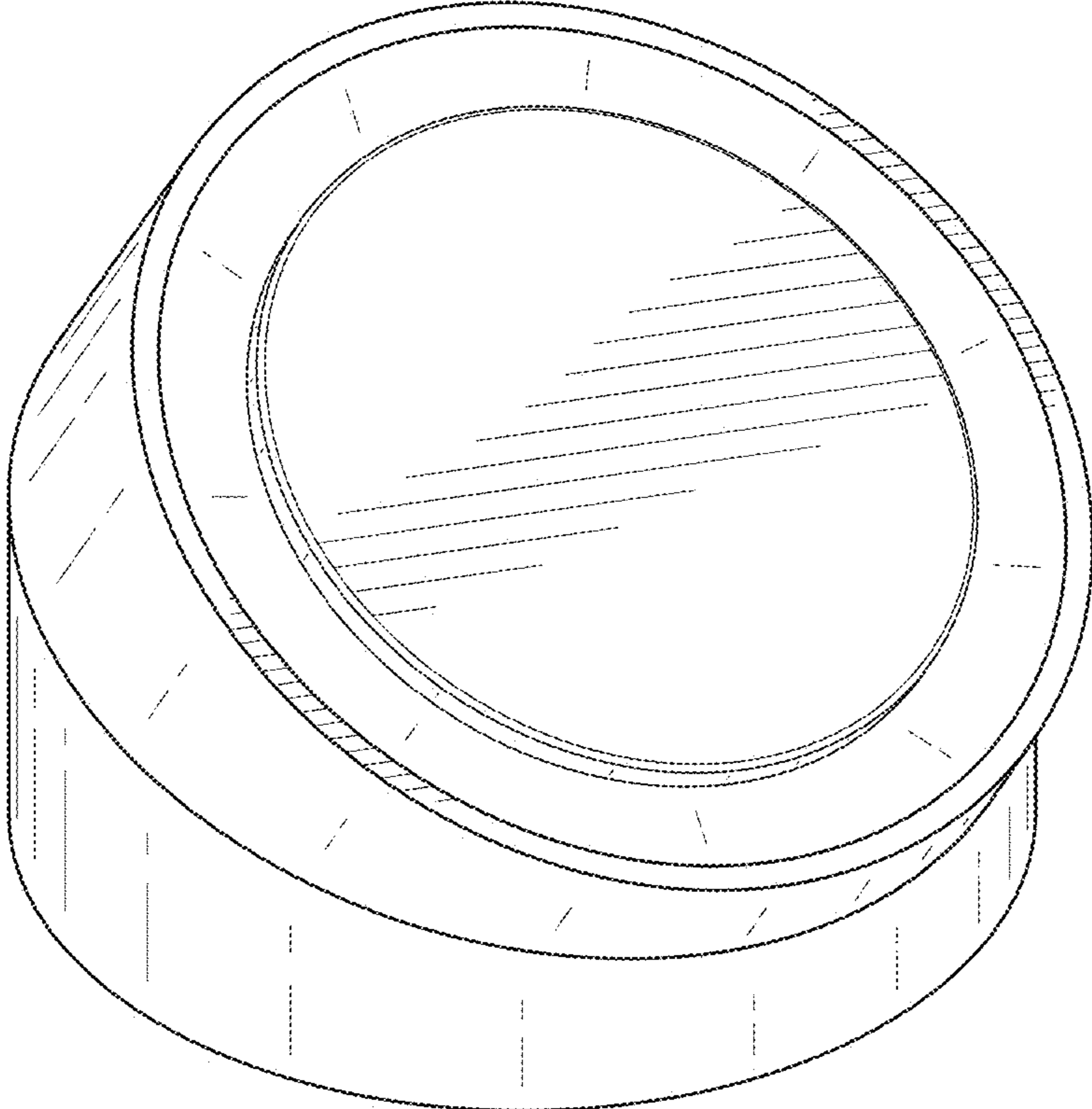


FIG. 22

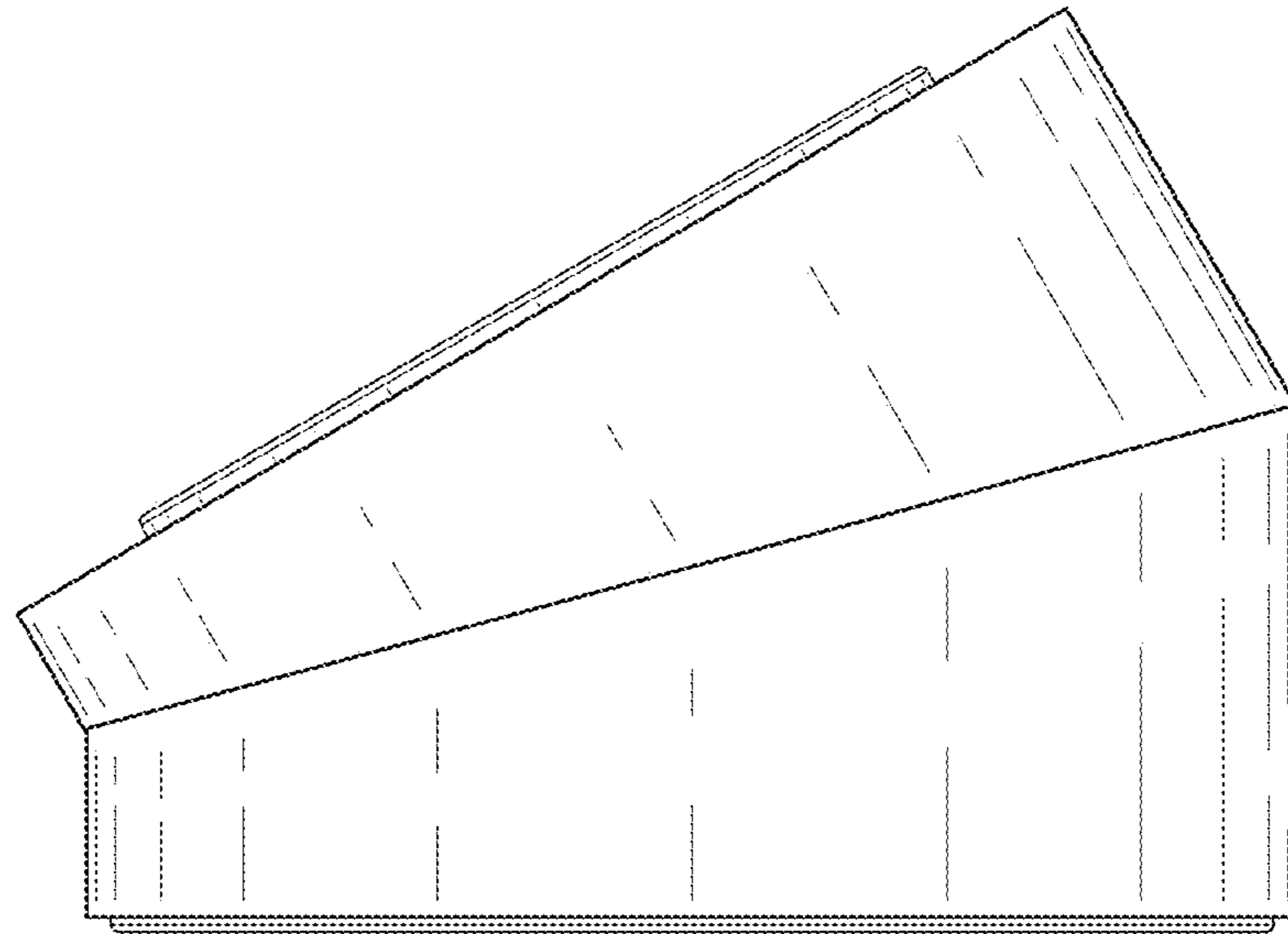


FIG. 23

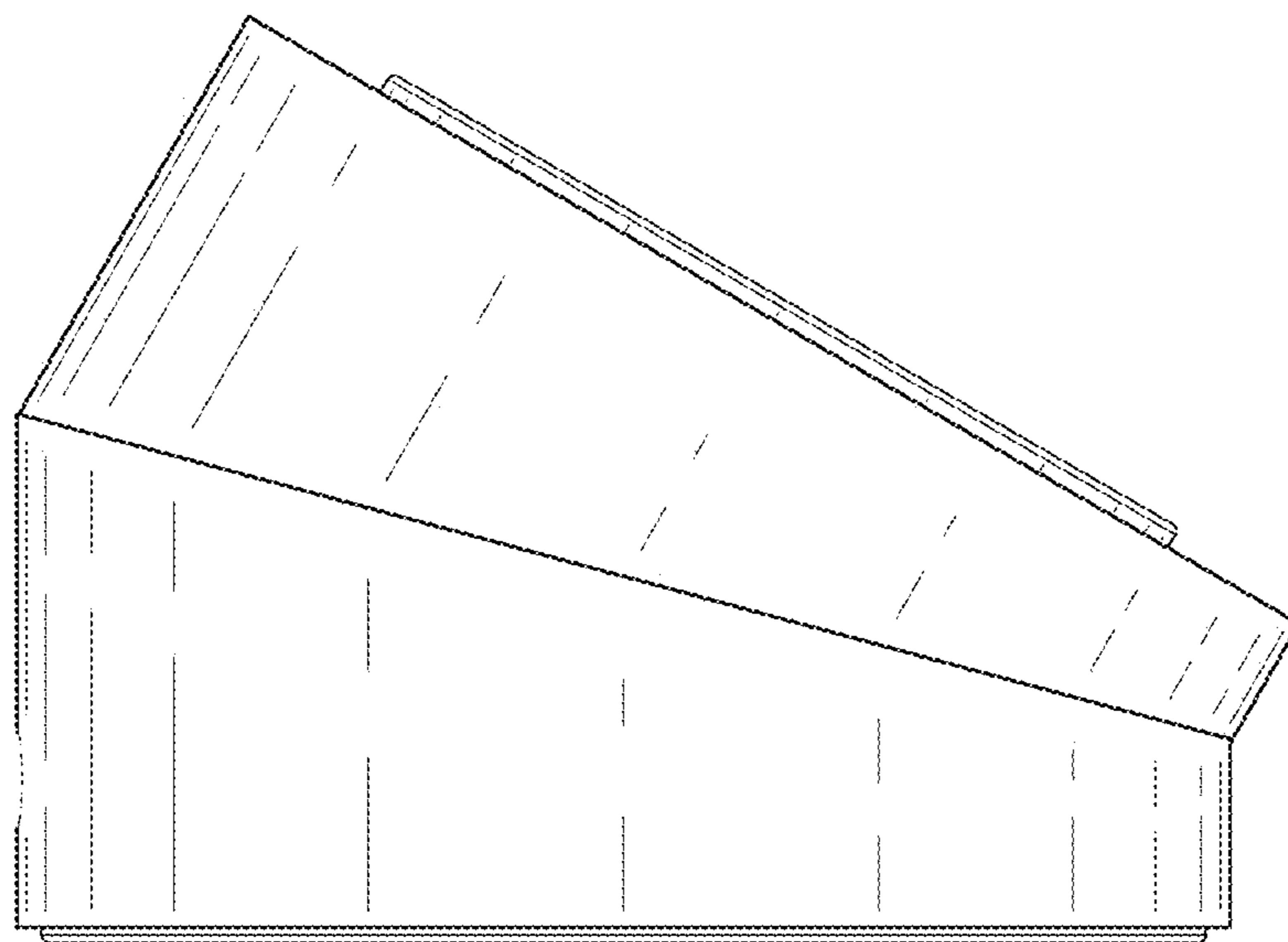


FIG. 24

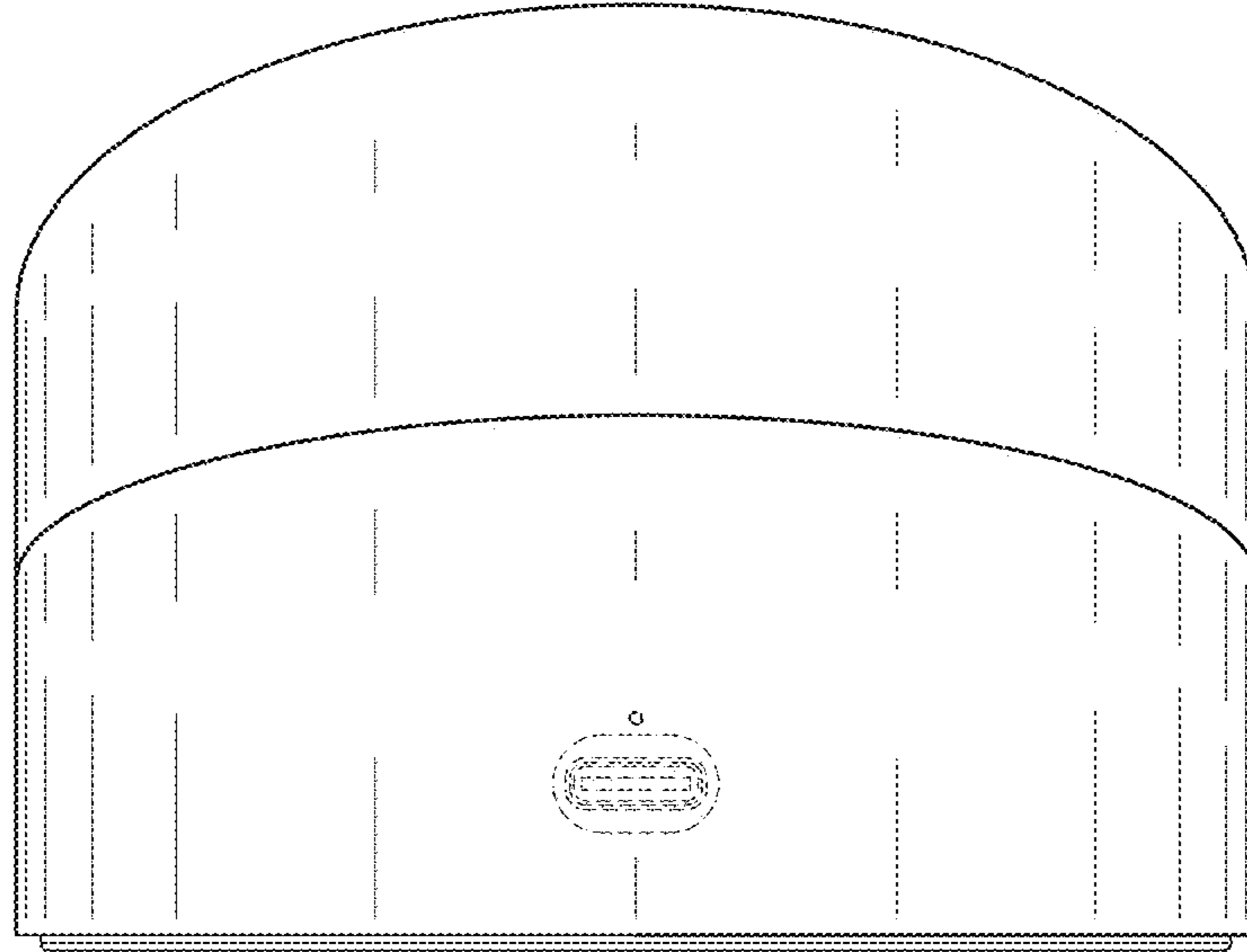


FIG. 25

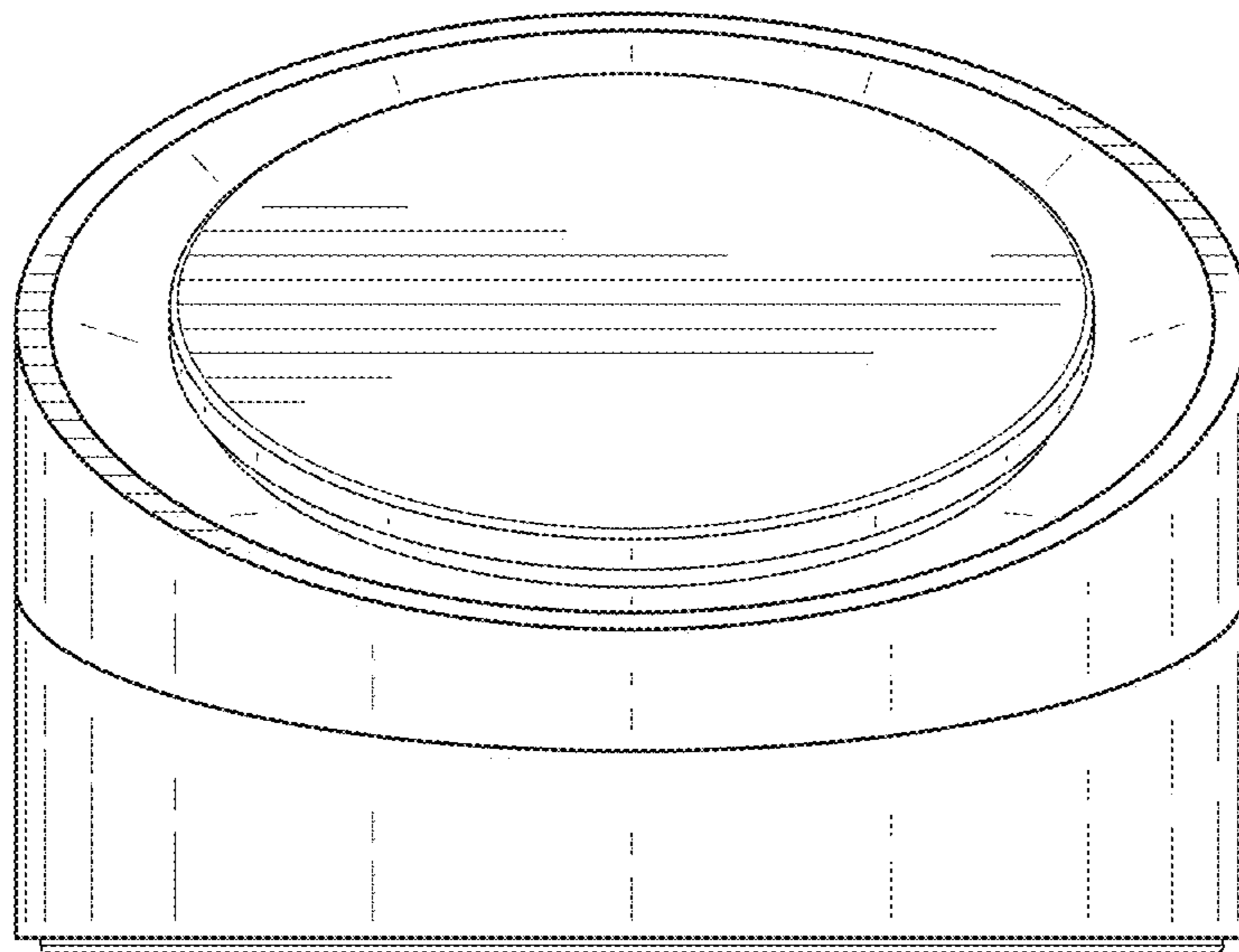


FIG. 26