



US00D976816S

(12) **United States Design Patent**
Panneer Selvam et al.

(10) **Patent No.:** **US D976,816 S**
(45) **Date of Patent:** **** Jan. 31, 2023**

(54) **ON-BODY WEARABLE CHARGER**

(71) Applicant: **VitalTech Properties, LLC**, Plano, TX
(US)

(72) Inventors: **Anjan Panneer Selvam**, Plano, TX
(US); **Qing Sun**, Plano, TX (US)

(73) Assignee: **VITALTECH PROPERTIES, LLC**,
Plano, TX (US)

(**) Term: **15 Years**

(21) Appl. No.: **29/809,523**

(22) Filed: **Sep. 28, 2021**

Related U.S. Application Data

(62) Division of application No. 29/709,921, filed on Oct.
18, 2019, now Pat. No. Des. 934,164.

(51) **LOC (14) Cl.** **13-02**

(52) **U.S. Cl.**
USPC **D13/107**

(58) **Field of Classification Search**
USPC D13/103, 107, 108, 110, 184, 199;
D14/432

CPC H02J 7/0042; H02J 7/0044; H02J 7/0045;
H02J 7/005; H02J 7/0026; H02J 7/0003;
H02J 50/00; H02J 50/40; H02J 50/402;
H02J 50/50

See application file for complete search history.

(56) **References Cited**

U.S. PATENT DOCUMENTS

D400,497 S 11/1998 Sabag et al.
D418,107 S 12/1999 Murray et al.
6,072,695 A * 6/2000 Steiger G06F 1/1632
361/679.41
6,185,095 B1 * 2/2001 Helot G06F 1/1632
361/679.44
6,259,601 B1 * 7/2001 Jaggars G06F 1/1632
174/15.1
D448,002 S 9/2001 Yang

D448,385 S * 9/2001 Oross D14/434
6,336,900 B1 1/2002 Alleckson et al.
D483,012 S 12/2003 Hsu
(Continued)

FOREIGN PATENT DOCUMENTS

CN 206214083 U 6/2017
CN 106999048 A 8/2017
(Continued)

OTHER PUBLICATIONS

International Search Report and Written Opinion, PCT/US2019/
047929, dated Nov. 18, 2019, 15 pages.

Primary Examiner — Rosemary K Tarcza

Assistant Examiner — Seth David Kumpf

(74) *Attorney, Agent, or Firm* — Goodhue, Coleman &
Owens, P.C.

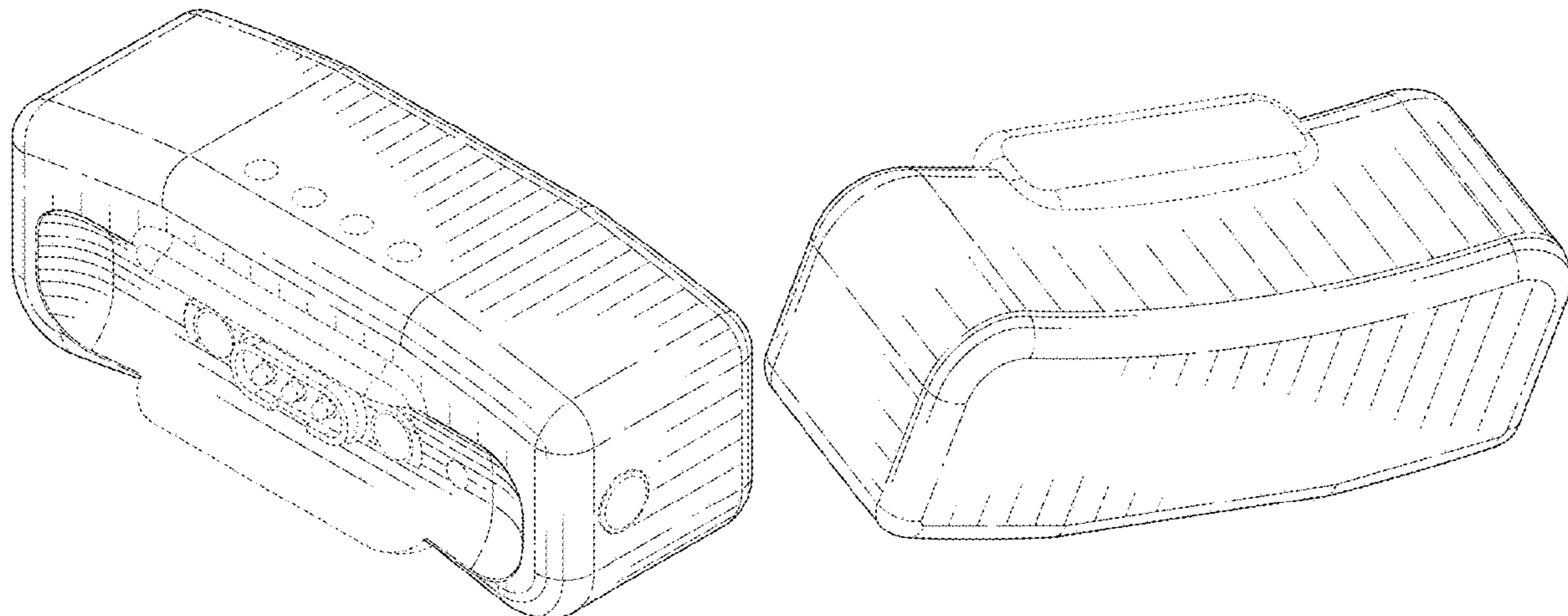
(57) **CLAIM**

The ornamental design for an on-body wearable charger, as
shown and described.

DESCRIPTION

FIG. 1 is a perspective view of an on-body wearable charger
showing our new design;
FIG. 2 is another perspective view thereof;
FIG. 3 is a front view thereof;
FIG. 4 is a rear view thereof;
FIG. 5 is a left side view thereof;
FIG. 6 is a right side view thereof;
FIG. 7 is a top view thereof;
FIG. 8 is a bottom view thereof; and,
FIG. 9 is a perspective view thereof shown in use.
The broken lines in the Figures show portions of the on-body
wearable charger and environment which form no part of the
claimed design.

1 Claim, 7 Drawing Sheets



(56)

References Cited

U.S. PATENT DOCUMENTS

D545,759 S 7/2007 Ino et al.
 7,539,532 B2 5/2009 Tran
 7,539,533 B2 5/2009 Tran
 7,558,622 B2 7/2009 Tran
 7,976,386 B2 7/2011 Tran
 8,108,036 B2 1/2012 Tran
 D654,850 S 2/2012 Obata
 8,121,673 B2 2/2012 Tran
 8,323,189 B2 12/2012 Tran et al.
 8,328,718 B2 12/2012 Tran
 8,425,415 B2 4/2013 Tran
 8,449,471 B2 5/2013 Tran
 8,475,368 B2 7/2013 Tran et al.
 8,500,636 B2 8/2013 Tran
 8,652,038 B2 2/2014 Tran et al.
 8,684,922 B2 4/2014 Tran
 8,727,978 B2 5/2014 Tran et al.
 8,747,313 B2 6/2014 Tran et al.
 8,764,651 B2 7/2014 Tran
 D712,826 S 9/2014 Marino et al.
 D722,018 S 2/2015 Wang
 8,968,195 B2 3/2015 Tran
 9,060,683 B2 6/2015 Tran
 D737,156 S 8/2015 Akana et al.
 D737,157 S 8/2015 Akana et al.
 D737,158 S 8/2015 Akana et al.
 D737,159 S 8/2015 Akana et al.
 9,107,586 B2 8/2015 Tran
 D741,726 S 10/2015 Akana et al.
 D744,356 S 12/2015 Akana et al.
 D745,421 S 12/2015 Akana et al.
 9,215,980 B2 12/2015 Tran et al.
 D746,707 S 1/2016 Akana et al.
 D751,070 S 3/2016 Akana et al.
 D752,044 S 3/2016 Akana et al.
 D754,793 S 4/2016 Akana et al.
 D756,357 S 5/2016 Akana et al.
 D756,822 S 5/2016 Akana et al.
 D756,823 S 5/2016 Akana et al.
 D756,824 S 5/2016 Akana et al.
 D756,825 S 5/2016 Akana et al.
 D757,722 S 5/2016 Akana et al.
 D758,219 S 6/2016 Akana et al.
 D759,011 S 6/2016 Akana et al.
 D759,586 S 6/2016 Swett et al.
 D759,725 S 6/2016 Akana et al.
 D760,716 S 7/2016 Akana et al.
 D761,793 S 7/2016 Akana et al.
 9,392,966 B2 7/2016 Kate
 D766,752 S 9/2016 Akana et al.
 D766,893 S 9/2016 Akana et al.
 D771,035 S 11/2016 Akana et al.
 D771,037 S 11/2016 Akana et al.
 D777,163 S 1/2017 Akana et al.
 D779,992 S 2/2017 Akana et al.
 D781,853 S 3/2017 Akana et al.
 D784,326 S 4/2017 Akana et al.
 D784,327 S 4/2017 Akana et al.
 D784,831 S 4/2017 Akana et al.
 D790,517 S 6/2017 Akana et al.
 9,685,802 B1* 6/2017 Mirov H02J 7/0044
 D791,237 S 7/2017 Akana et al.

D791,238 S 7/2017 Akana et al.
 D791,239 S 7/2017 Akana et al.
 9,801,542 B2 10/2017 Tran et al.
 9,801,568 B2 10/2017 Ziaie et al.
 D801,918 S 11/2017 Santurbane et al.
 9,814,425 B2 11/2017 Tran
 9,820,657 B2 11/2017 Tran
 D805,513 S 12/2017 Akana et al.
 D805,929 S 12/2017 Akana et al.
 D806,071 S 12/2017 Akana et al.
 D807,765 S 1/2018 Akana et al.
 9,865,176 B2 1/2018 Tran
 D809,513 S 2/2018 Akana et al.
 D812,052 S 3/2018 Akana et al.
 D816,524 S 5/2018 Akana et al.
 D817,203 S 5/2018 Akana et al.
 D817,269 S 5/2018 Sukphist et al.
 9,974,492 B1 5/2018 Dicks et al.
 D820,198 S 6/2018 Smith et al.
 D820,202 S 6/2018 Wolff
 D822,525 S 7/2018 Akana et al.
 D824,273 S 7/2018 Akana et al.
 10,025,908 B1 7/2018 Orellano et al.
 10,026,292 B2 7/2018 Baker et al.
 10,051,410 B2 8/2018 Booth et al.
 D828,352 S 9/2018 Akana et al.
 D828,835 S 9/2018 Akana et al.
 D832,252 S 10/2018 Akana et al.
 D835,033 S 12/2018 Sorias
 D836,102 S 12/2018 Akana et al.
 D838,669 S 1/2019 Miller et al.
 D840,333 S 2/2019 Cooper et al.
 D842,238 S 3/2019 Qiu et al.
 D845,377 S 4/2019 Masano et al.
 D849,681 S 5/2019 Howell
 D853,955 S 7/2019 Oliver et al.
 D864,870 S 10/2019 Payne
 D934,164 S* 10/2021 Panneer Selvam D13/107
 2002/0071035 A1* 6/2002 Sobol H04N 1/00127
 348/372
 2014/0143064 A1 5/2014 Tran
 2014/0249429 A1 9/2014 Tran
 2015/0148623 A1 5/2015 Benaron
 2015/0359467 A1 12/2015 Tran
 2016/0287166 A1 10/2016 Tran
 2016/0338639 A1 11/2016 Myers et al.
 2016/0367202 A1 12/2016 Carter et al.
 2016/0374588 A1 12/2016 Shariff et al.
 2017/0000387 A1 1/2017 Forth et al.
 2017/0124276 A1 5/2017 Tee
 2017/0213145 A1 7/2017 Pathak et al.
 2018/0064370 A1 3/2018 Ziaie et al.
 2018/0174686 A1 6/2018 Zaphrir et al.
 2018/0177436 A1 6/2018 Chang et al.
 2018/0333083 A1 11/2018 Orellano
 2020/0100640 A1* 4/2020 Marutani A47L 9/009
 2020/0121147 A1* 4/2020 Izawa A47L 9/2852

FOREIGN PATENT DOCUMENTS

EP 3346402 A1 7/2018
 WO 2013103570 A1 7/2013
 WO 2017190049 A1 11/2017

* cited by examiner

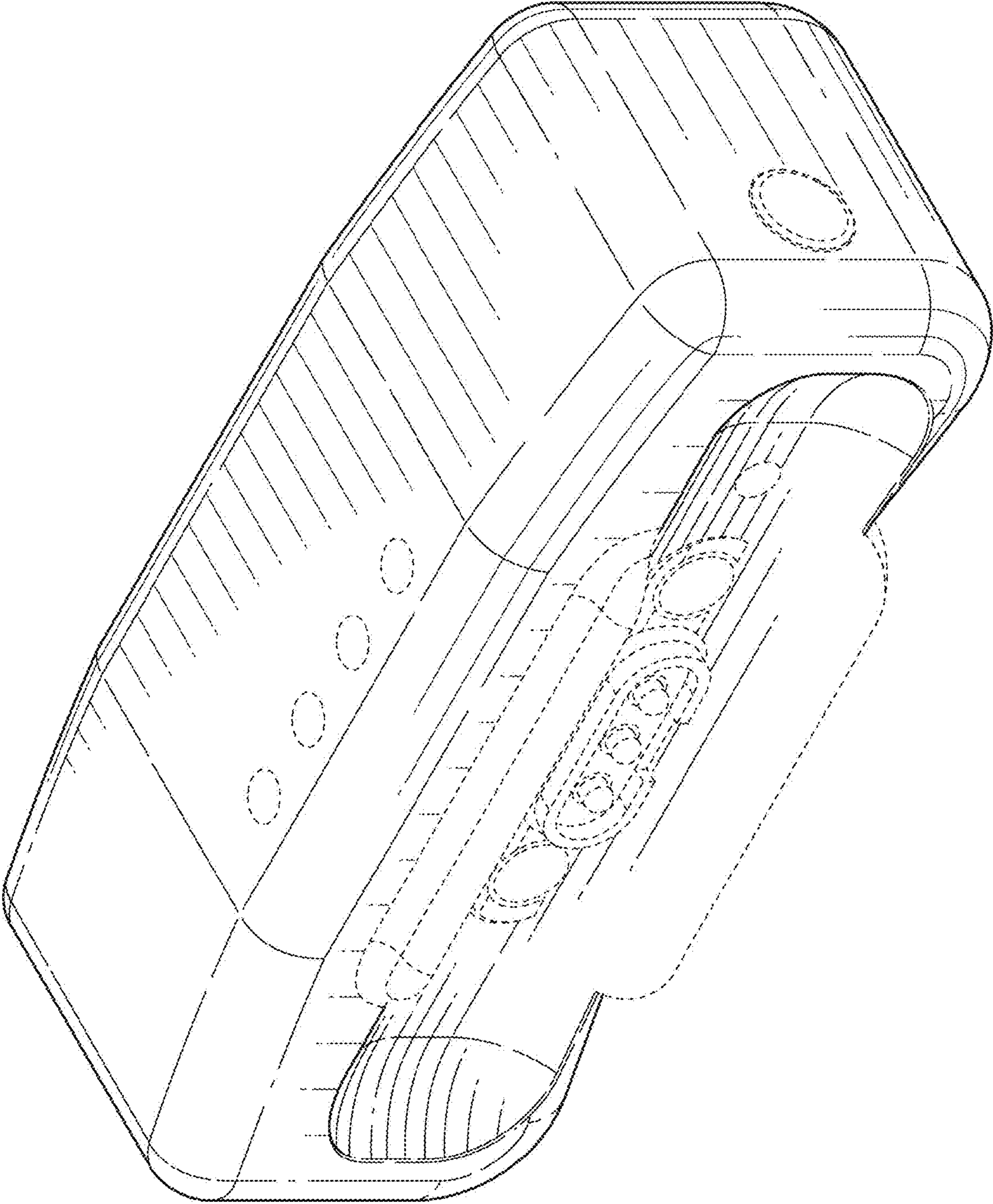


FIG.1

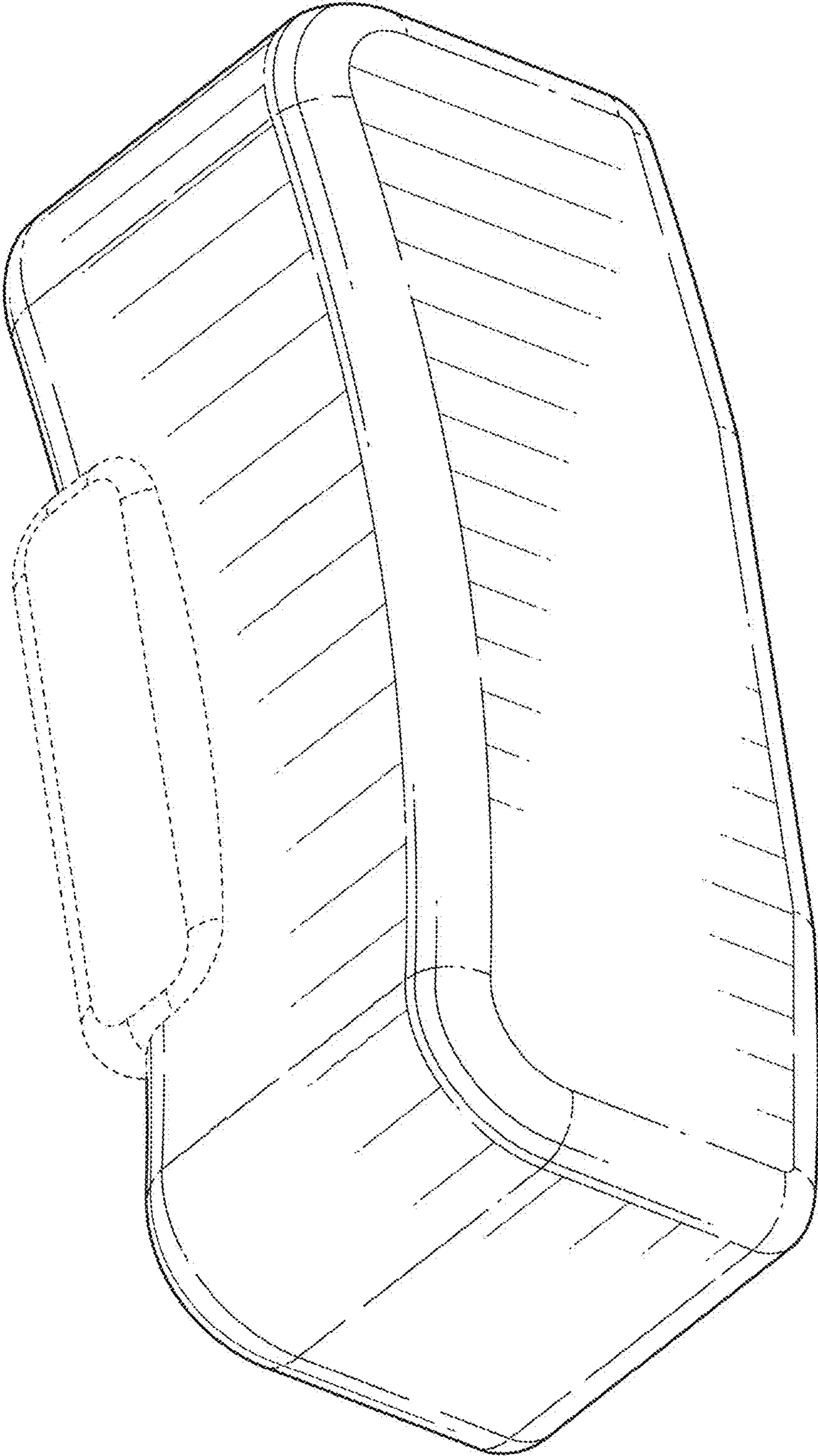


FIG. 2

FIG. 3

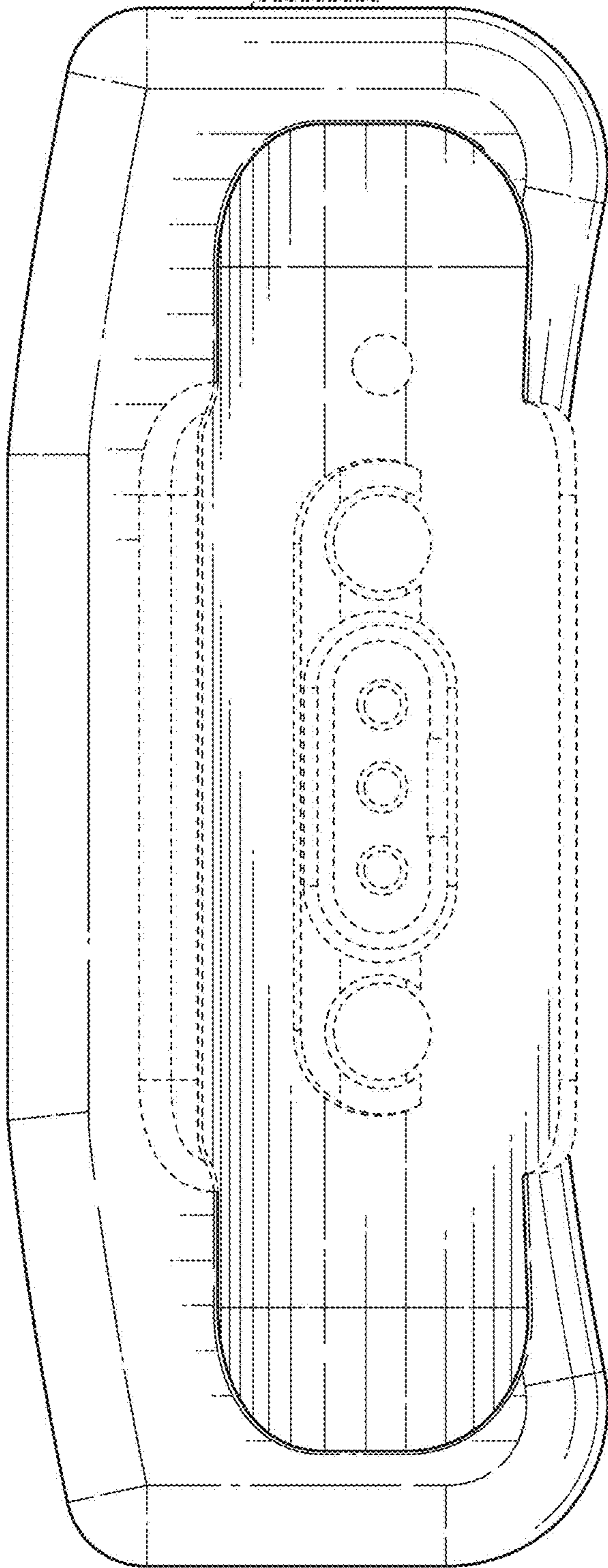
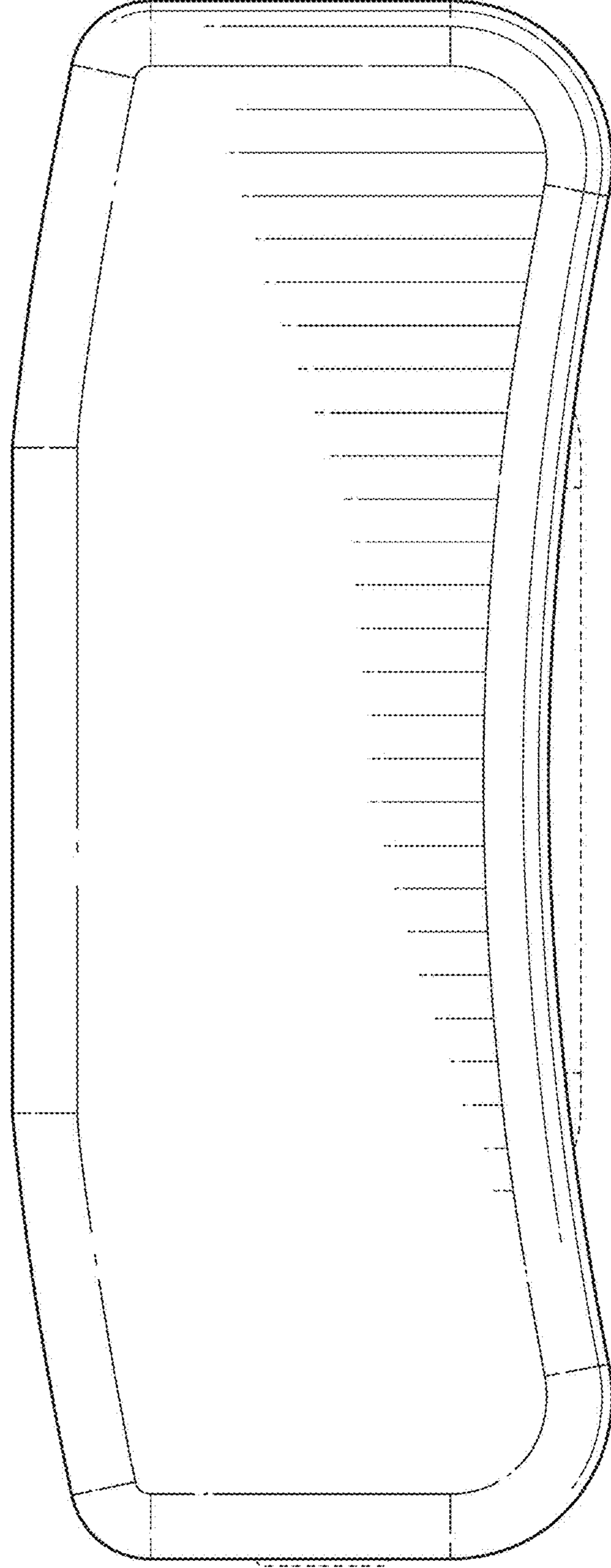


FIG. 4



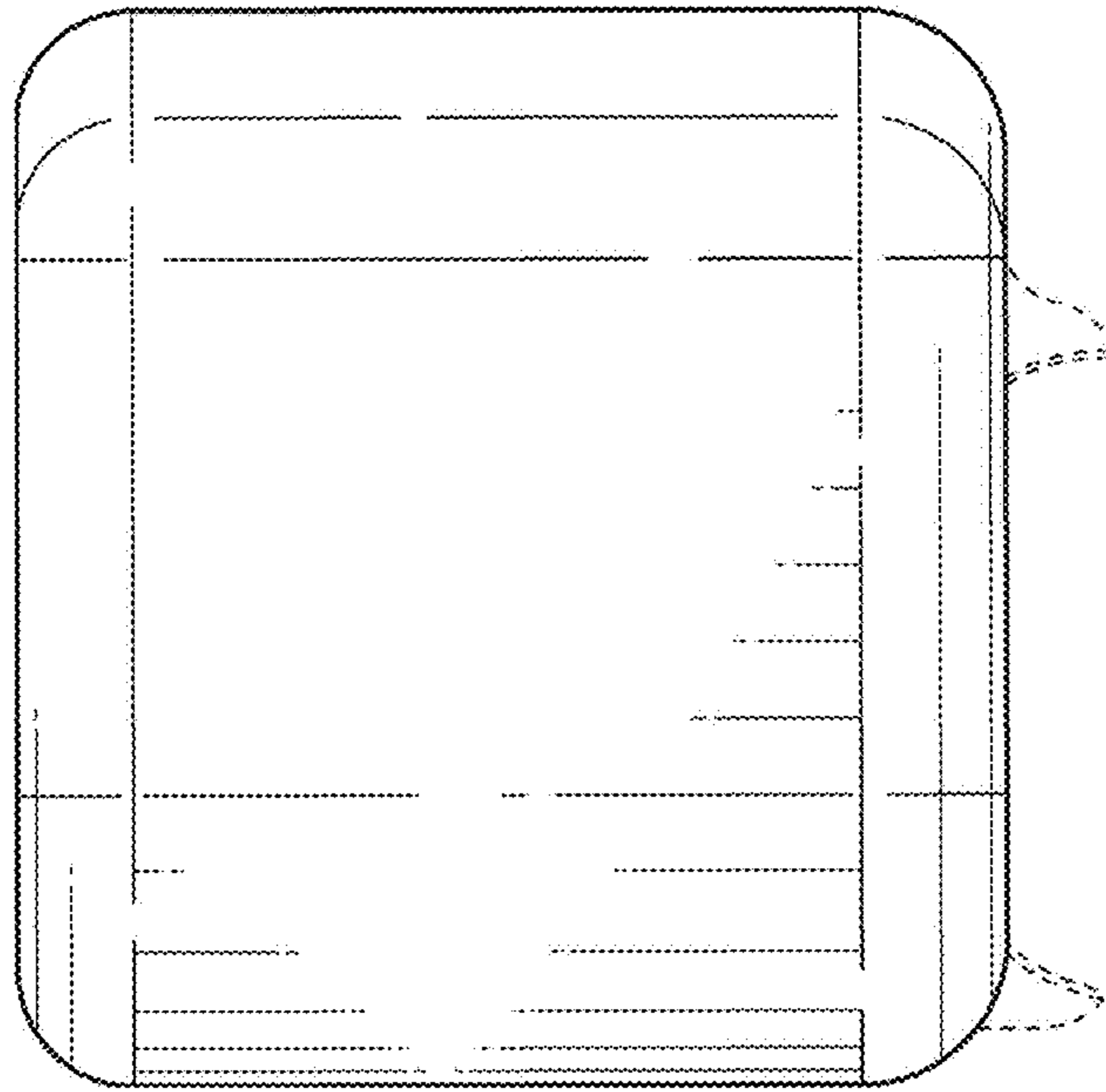


FIG. 5

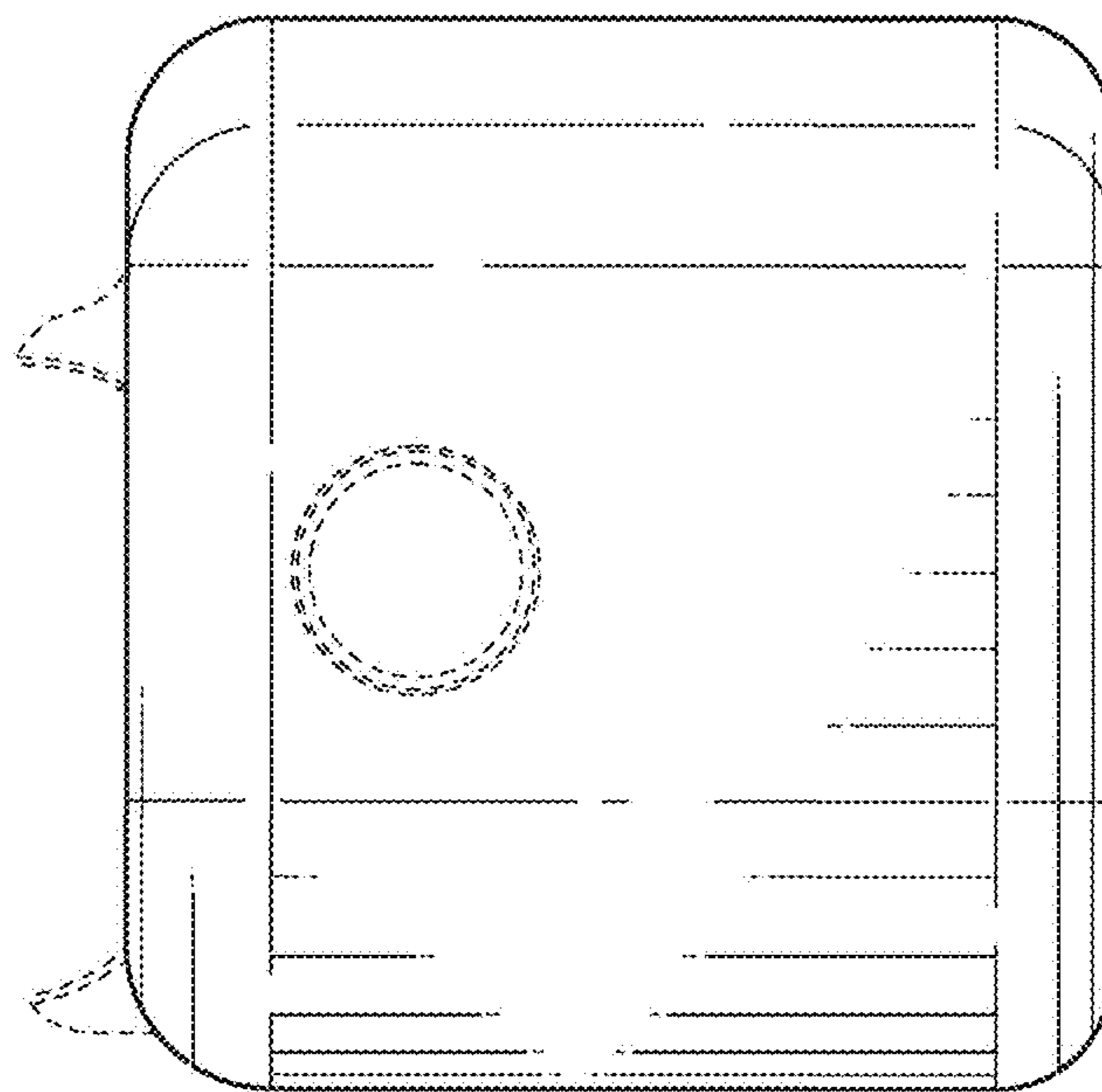


FIG. 6

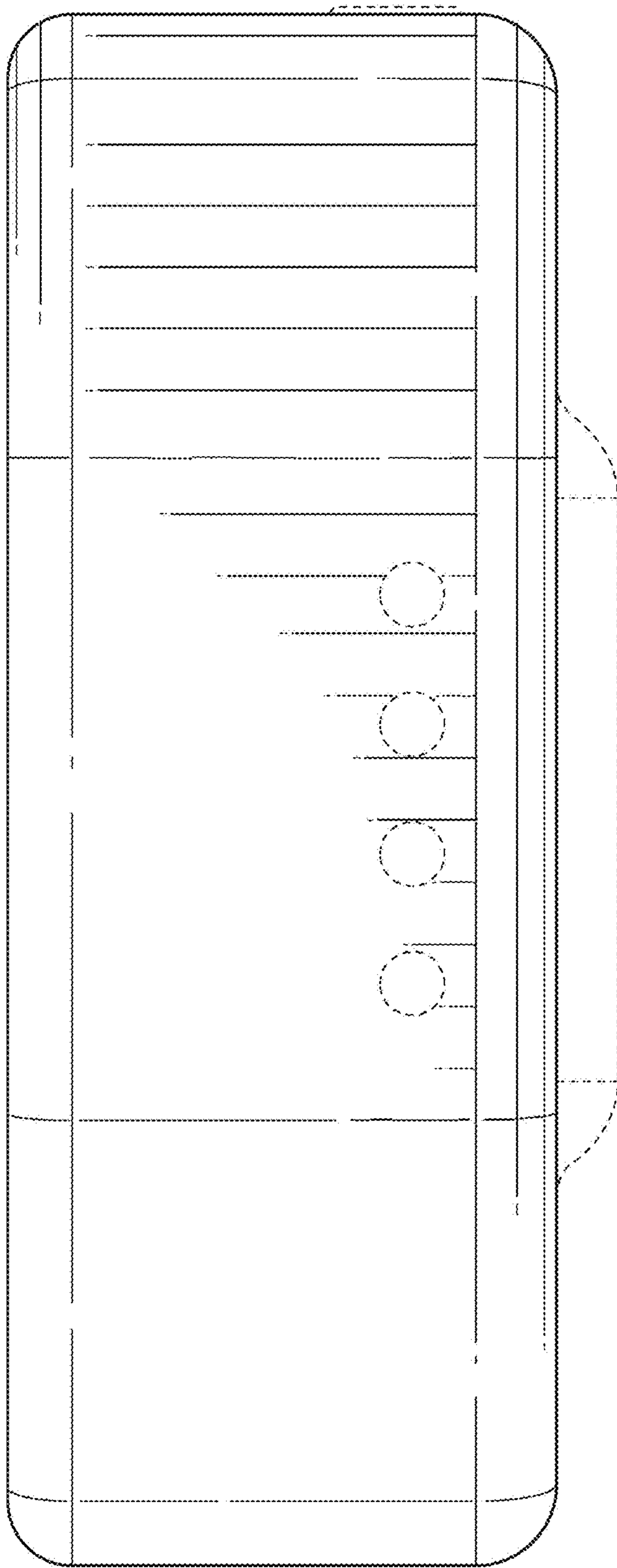


FIG. 7

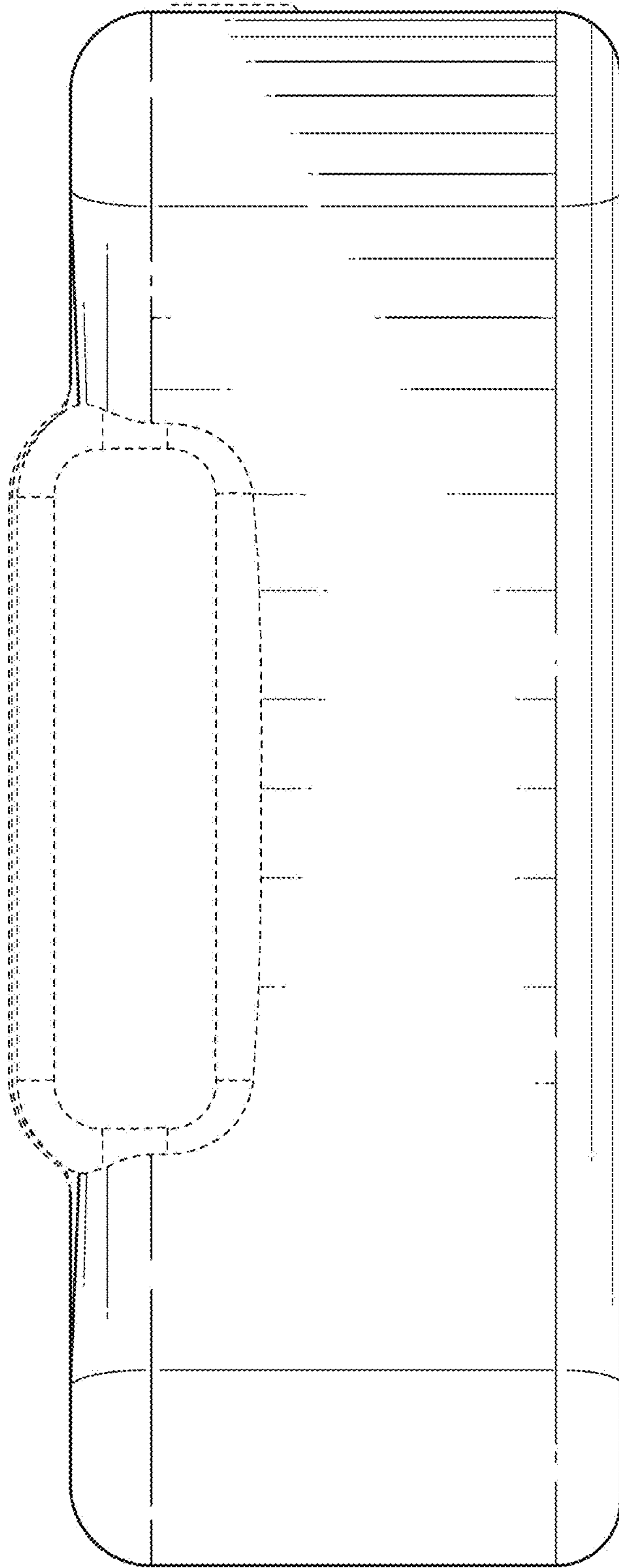


FIG. 8

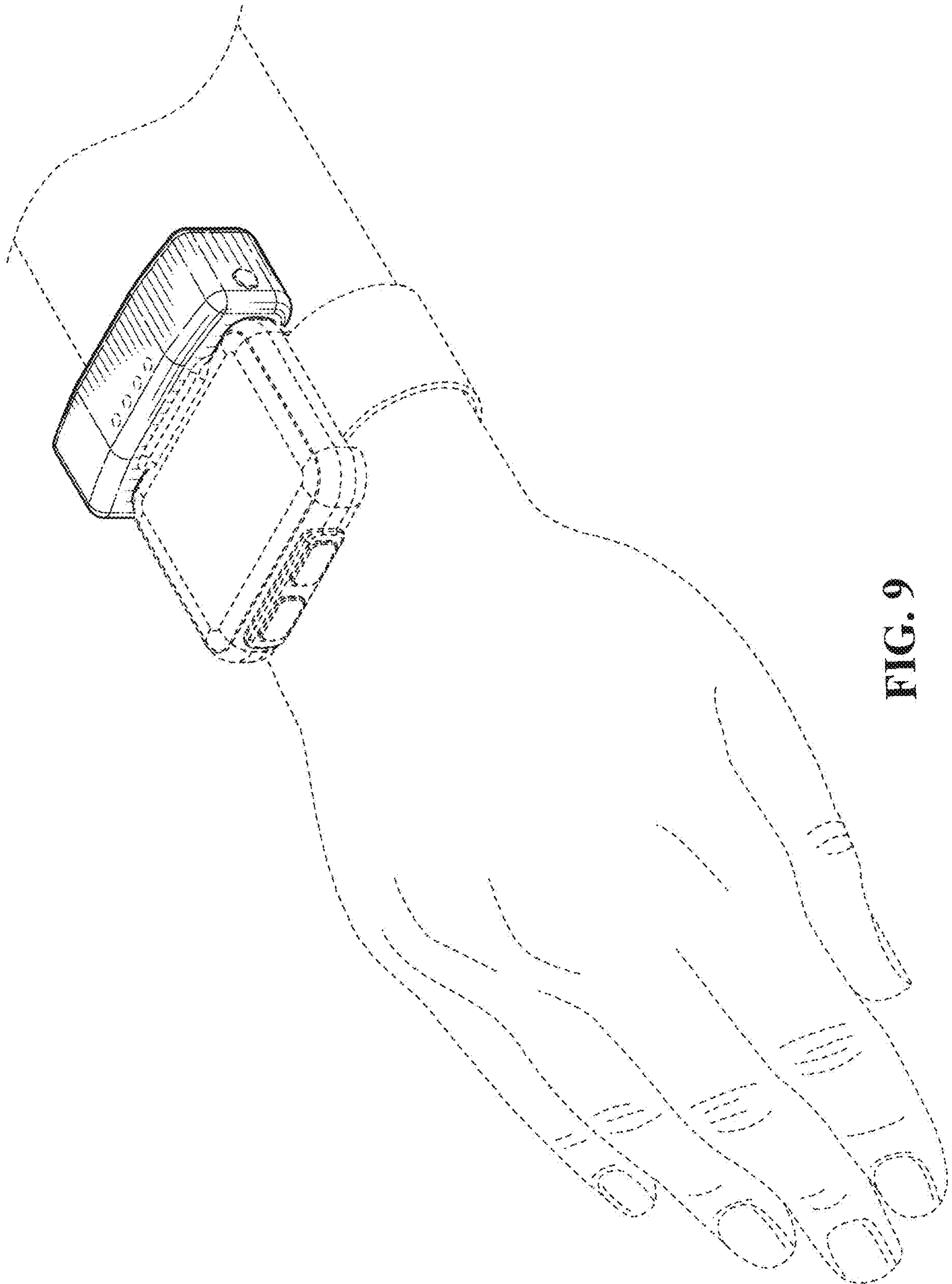


FIG. 9