



US00D976815S

(12) **United States Design Patent**
Essabar et al.

(10) **Patent No.:** **US D976,815 S**
(45) **Date of Patent:** **** Jan. 31, 2023**

(54) **POWER BOX**

(71) Applicant: **EPOS Group A/S**, Ballerup (DK)

(72) Inventors: **Mohamad Essabar**, Ballerup (DK);
Felix Binder, Berlin (DE)

(73) Assignee: **EPOS GROUP A/S**, Ballerup (DK)

(**) Term: **15 Years**

(21) Appl. No.: **29/773,749**

(22) Filed: **Mar. 11, 2021**

(30) **Foreign Application Priority Data**

Sep. 15, 2020 (EM) 008170062-0001
Sep. 15, 2020 (EM) 008170062-0002

(51) **LOC (14) Cl.** **13-02**

(52) **U.S. Cl.**
USPC **D13/107**

(58) **Field of Classification Search**
USPC D13/103, 107, 108, 109, 110, 118, 119,
D13/184; D14/371, 432, 439, 441, 447,
D14/451
CPC Y02E 60/12; Y02T 90/14; Y02T 90/122;
Y02T 90/128; Y02T 90/163; H02J 7/025;
H02J 7/0042; H02J 7/0044; H02J 7/0045;
H02J 7/0013; H01F 38/14; H01M 10/44;
H01M 10/46; H01M 10/425

See application file for complete search history.

(56) **References Cited**

U.S. PATENT DOCUMENTS

D902,148 S * 11/2020 Nishimura D13/107
D902,852 S * 11/2020 Lin D13/103
D903,588 S * 12/2020 Shoemake D13/103
D907,575 S * 1/2021 Xu D13/108
D910,559 S * 2/2021 Lin D13/110
D911,275 S * 2/2021 Chen D13/108
D914,599 S * 3/2021 Tong D13/110

D926,355 S * 7/2021 Liu D27/162
D932,427 S * 10/2021 Schoeck D3/294
D933,597 S * 10/2021 Natsume D13/108
D935,394 S * 11/2021 Qiu D13/108

(Continued)

OTHER PUBLICATIONS

Chargers. (Design—© Questel) orbit.com. [Online PDF compilation of references] 47 pgs. Print Dates Range Apr. 1, 2022-Jan. 15, 2022 [Retrieved Jun. 15, 2022].*

(Continued)

Primary Examiner — George D. Kirschbaum

Assistant Examiner — Suzanne E Tisdell

(74) *Attorney, Agent, or Firm* — Birch, Stewart, Kolasch & Birch, LLP

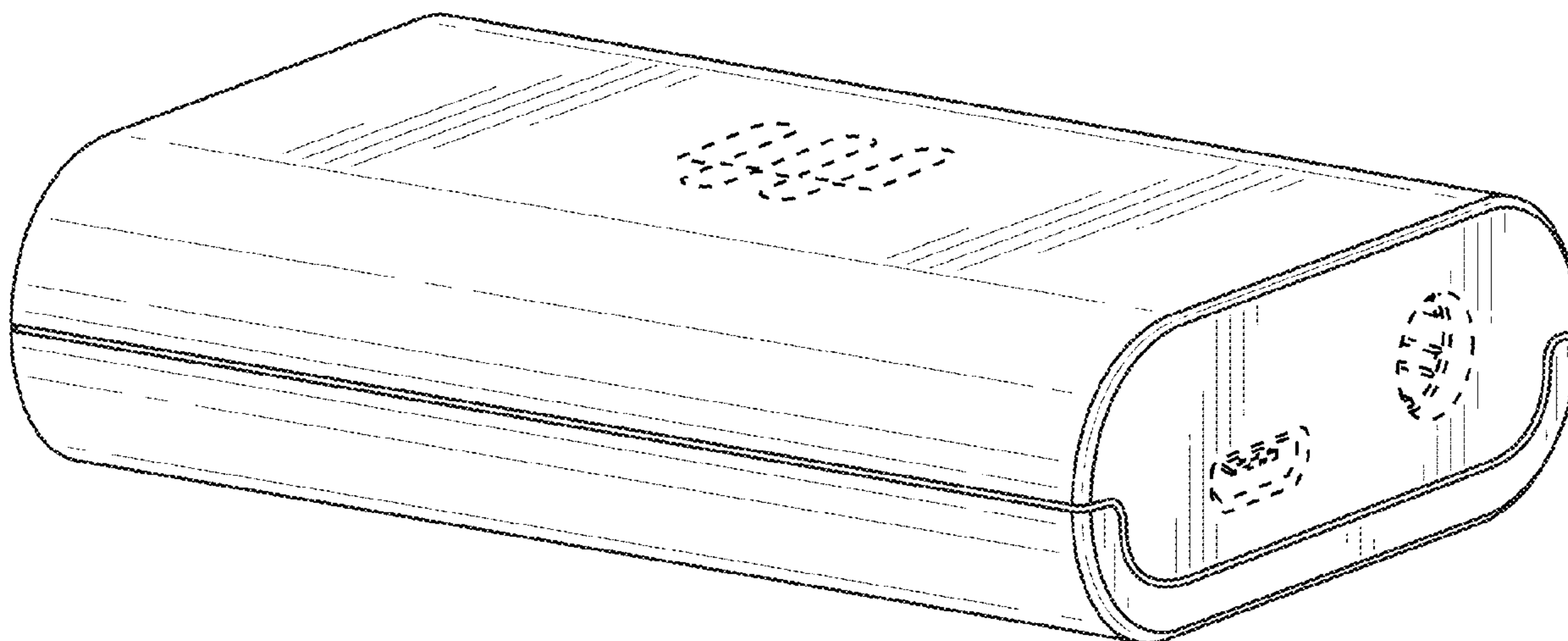
(57) **CLAIM**

The ornamental design for a power box, as shown and described.

DESCRIPTION

FIG. 1 is a top view of the powerbox;
FIG. 2 is a bottom view thereof;
FIG. 3 is a front view thereof;
FIG. 4 is a rear view thereof;
FIG. 5 is a right side view thereof;
FIG. 6 is a left side view thereof;
FIG. 7 is a perspective view thereof;
FIG. 8 is a top view thereof;
FIG. 9 is a bottom view thereof;
FIG. 10 is a front view thereof;
FIG. 11 is a rear view thereof;
FIG. 12 is a right side view thereof;
FIG. 13 is a left view thereof; and,
FIG. 14 is a perspective view thereof.
Broken lines show portions of the power box that form no part of the claimed design.

1 Claim, 14 Drawing Sheets



(56)

References Cited

U.S. PATENT DOCUMENTS

D936,579 S * 11/2021 Wang D24/217
D938,352 S * 12/2021 Zhang D13/108

OTHER PUBLICATIONS

DaCosta, Christen. 12 Portable Chargers that Work Both with iPhone and Android Phones. Jun. 9, 2020. Gadget Review. <https://www.gadgetreview.com/12-portable-chargers-iphone-android-phones>.*

Tzumi 10,000 mAh Slim Pro Pocket Juice Portable Power Bank 7526HD. Before Jun. 22, 2020. Home Depot. <https://www.homedepot.com/p/Tzumi-10-000-mAh-Slim-Pro-Pocket-Juice-Portable-Power-Bank-7526HD/313232419>.*

Endurance AC Pocket Juice Portable Charger 10000mAh User Guide. Aug. 6, 2021. Manuals+. <https://manuals.plus/endurance-ac/pocket-juice-portable-charger-10000mah-manual#axzz7WJB6f19D>.*

* cited by examiner

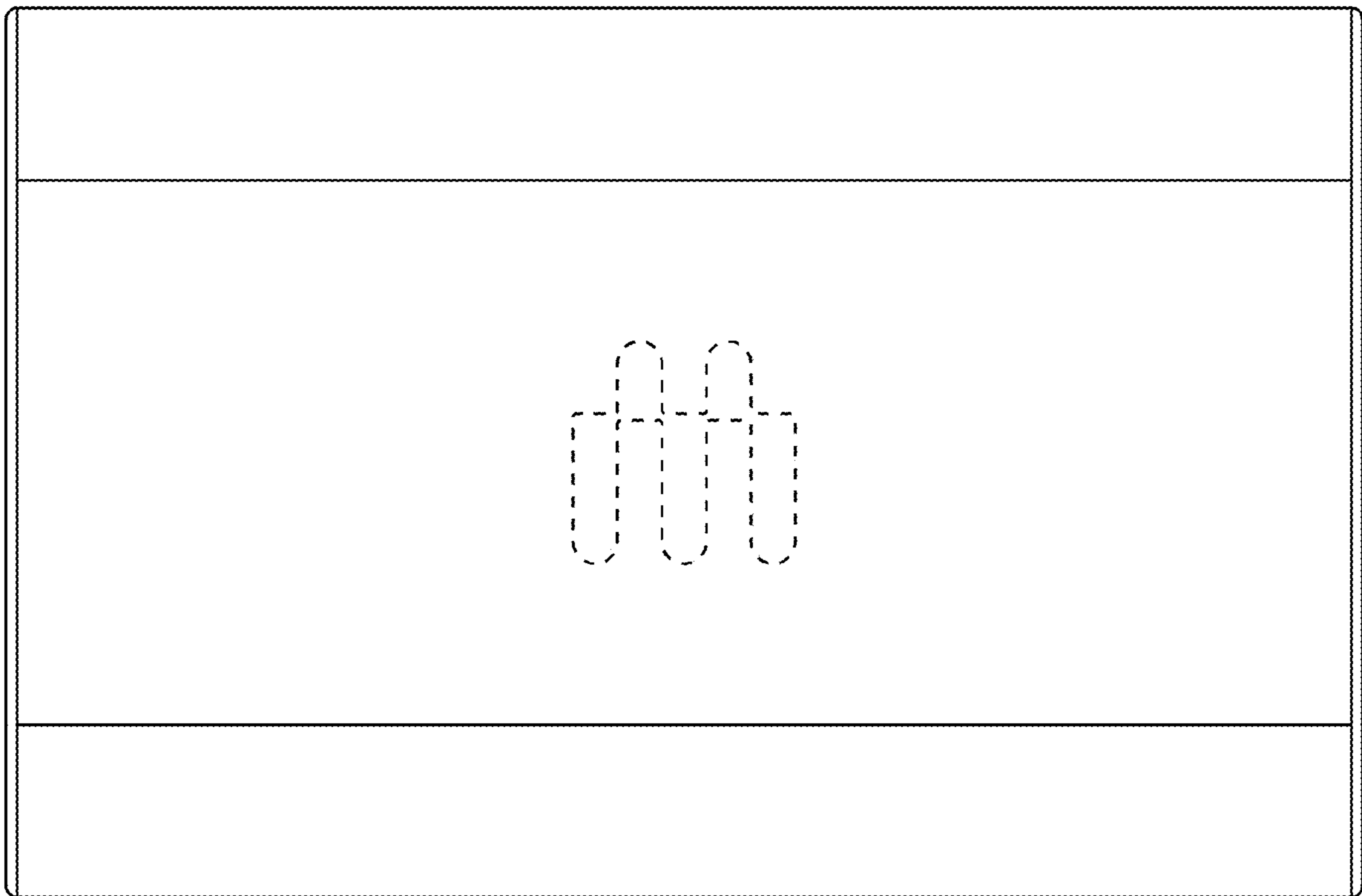


FIG. 1

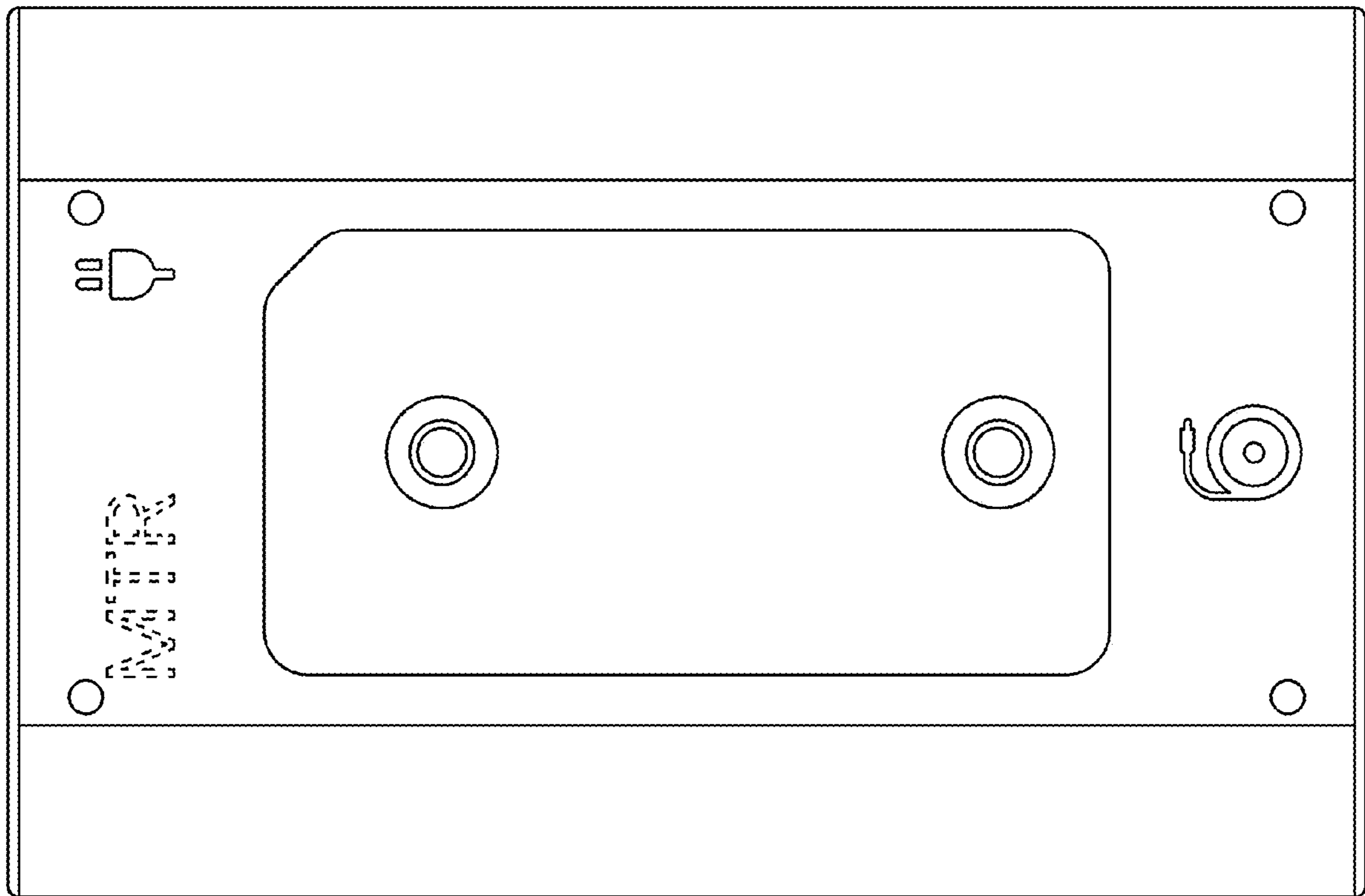


FIG. 2

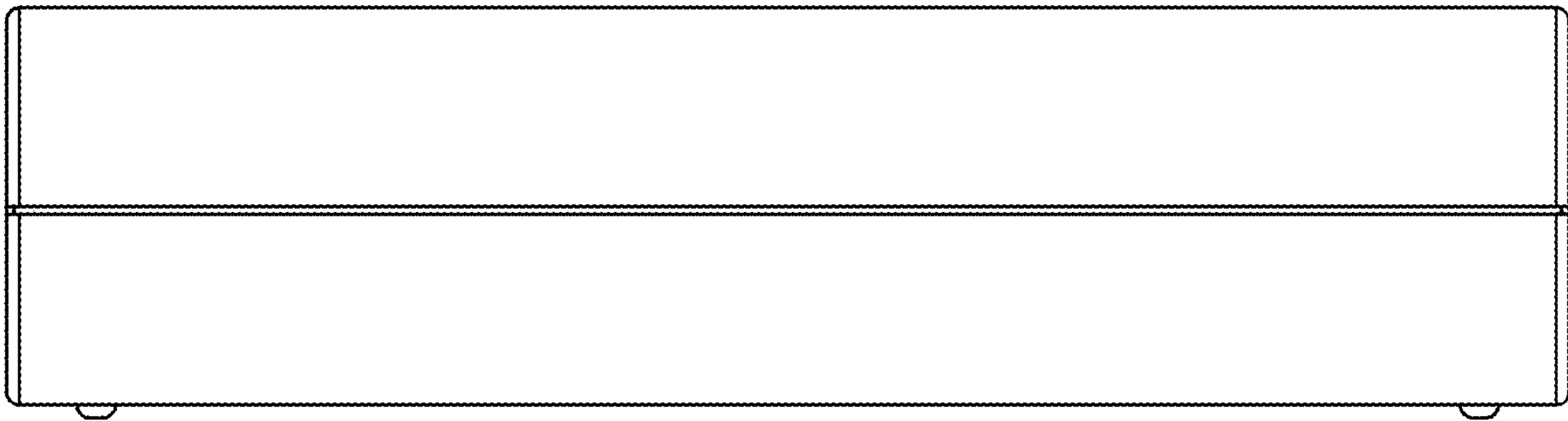


FIG. 3

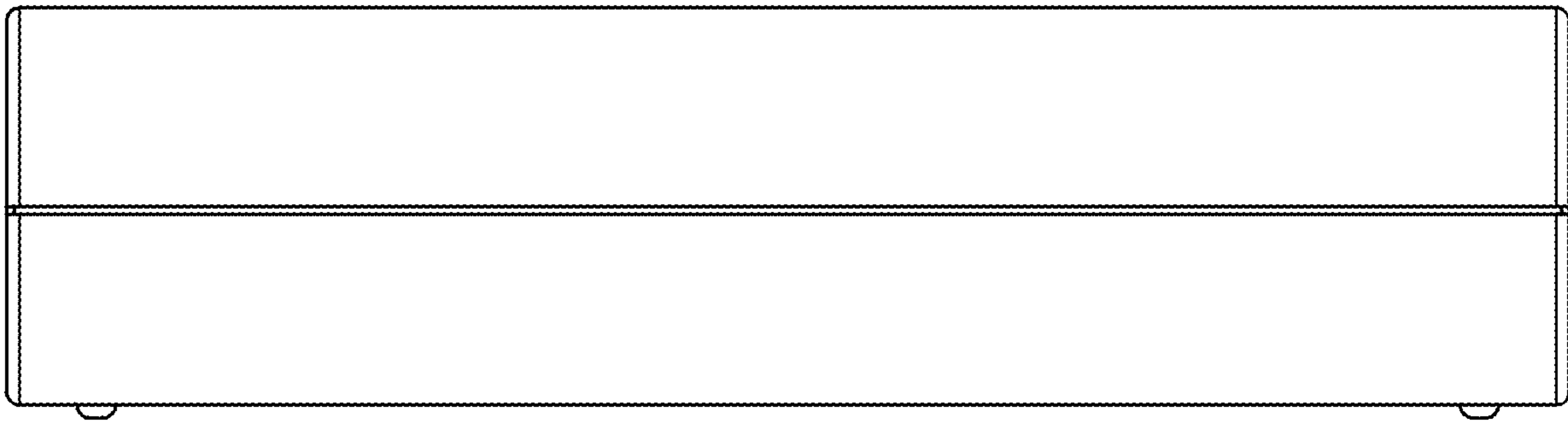


FIG. 4

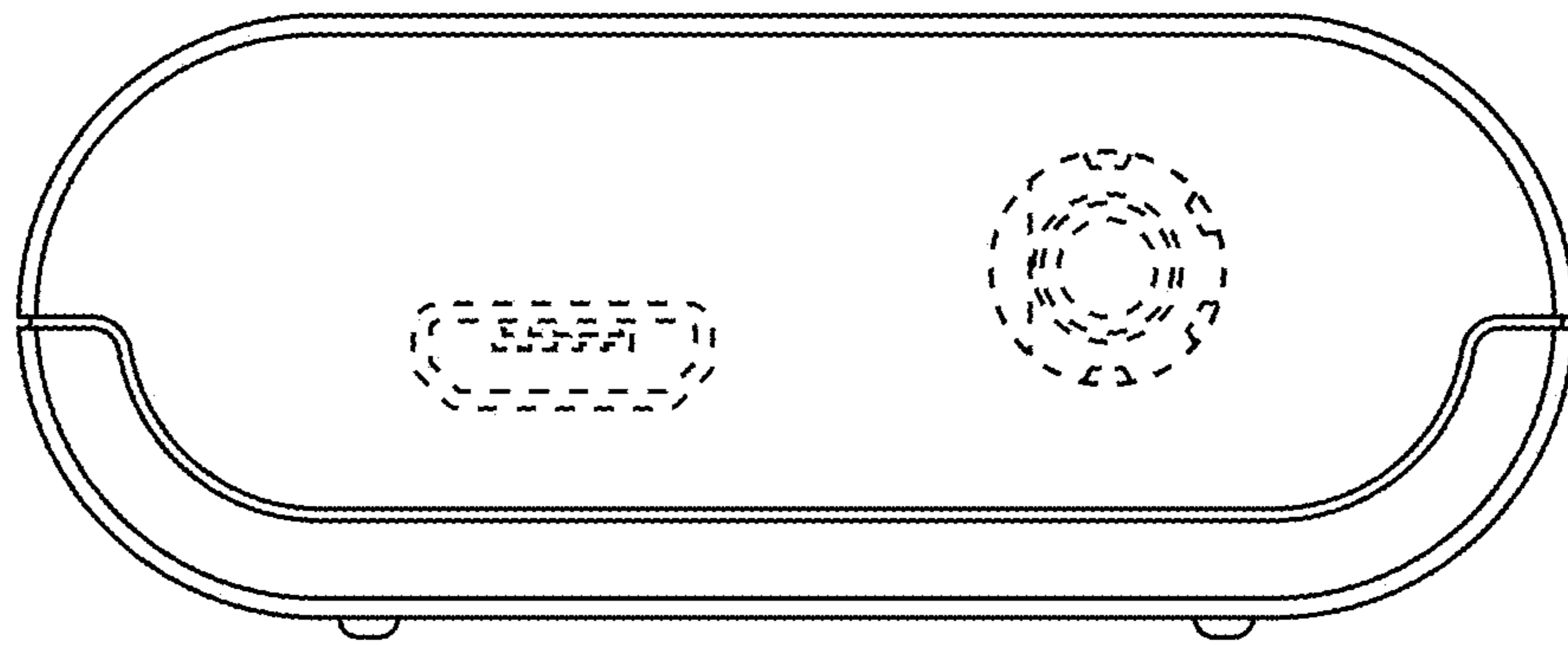


FIG. 5

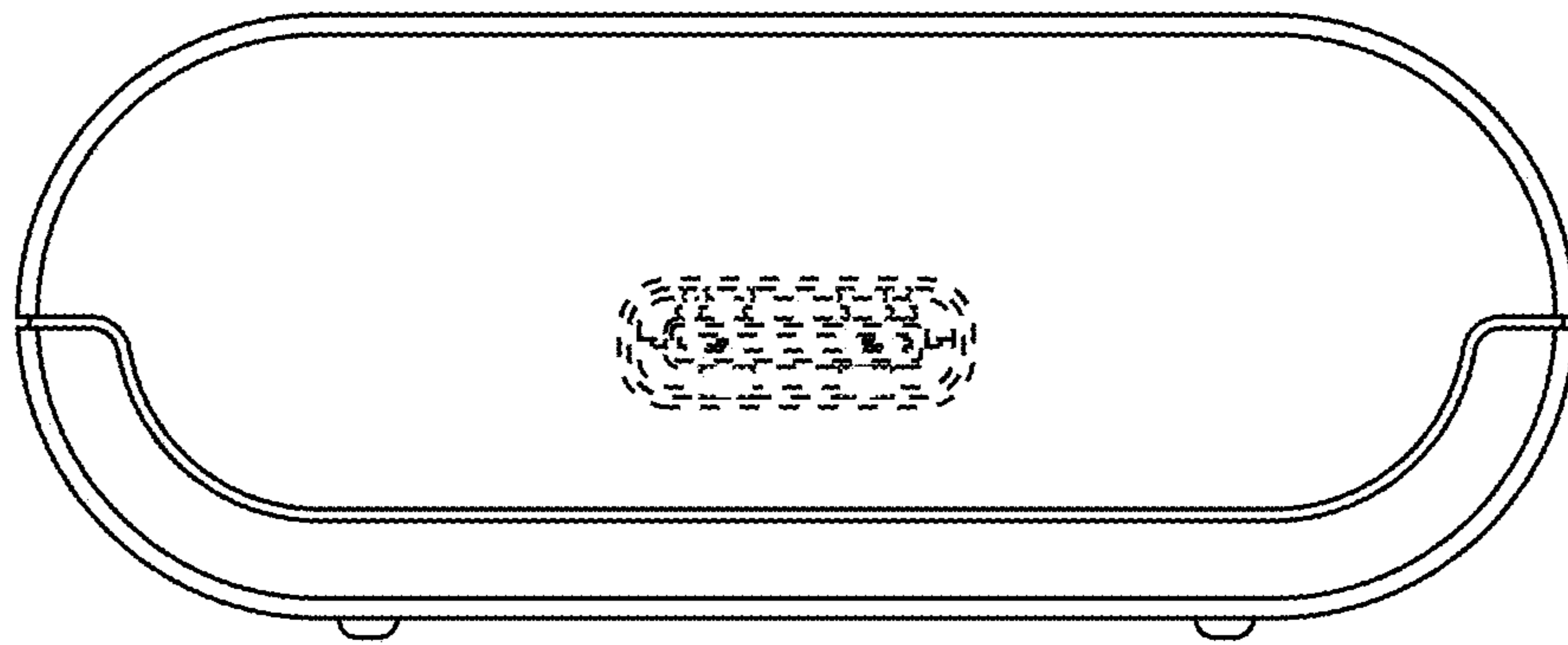


FIG. 6

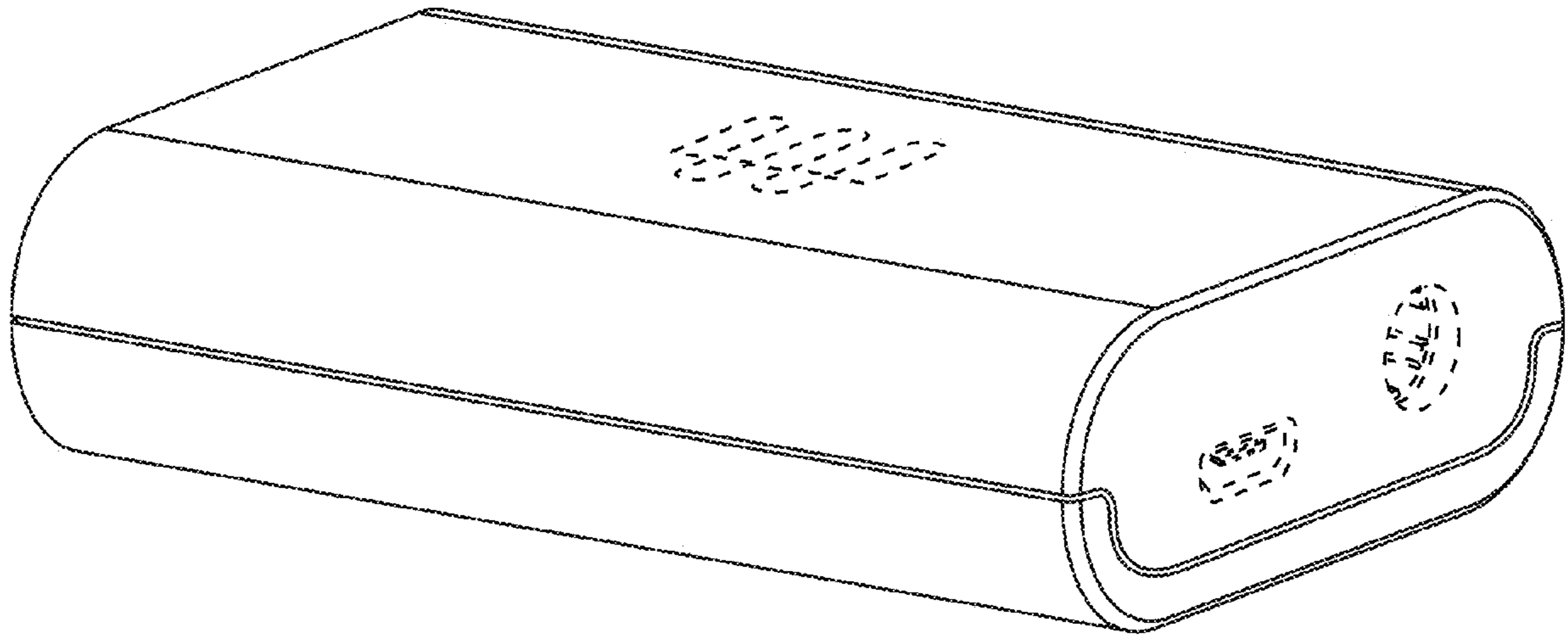


FIG. 7

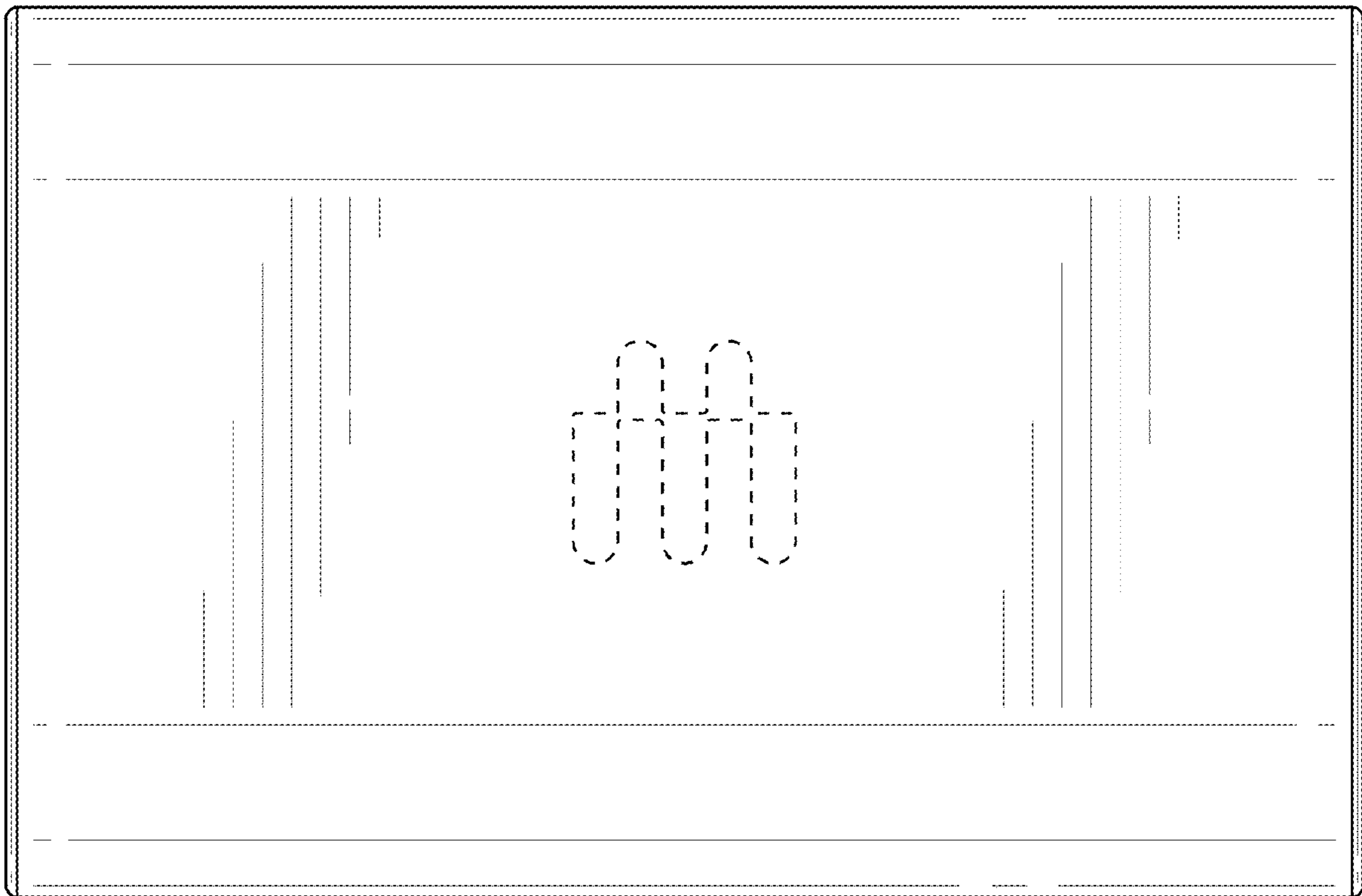


FIG. 8

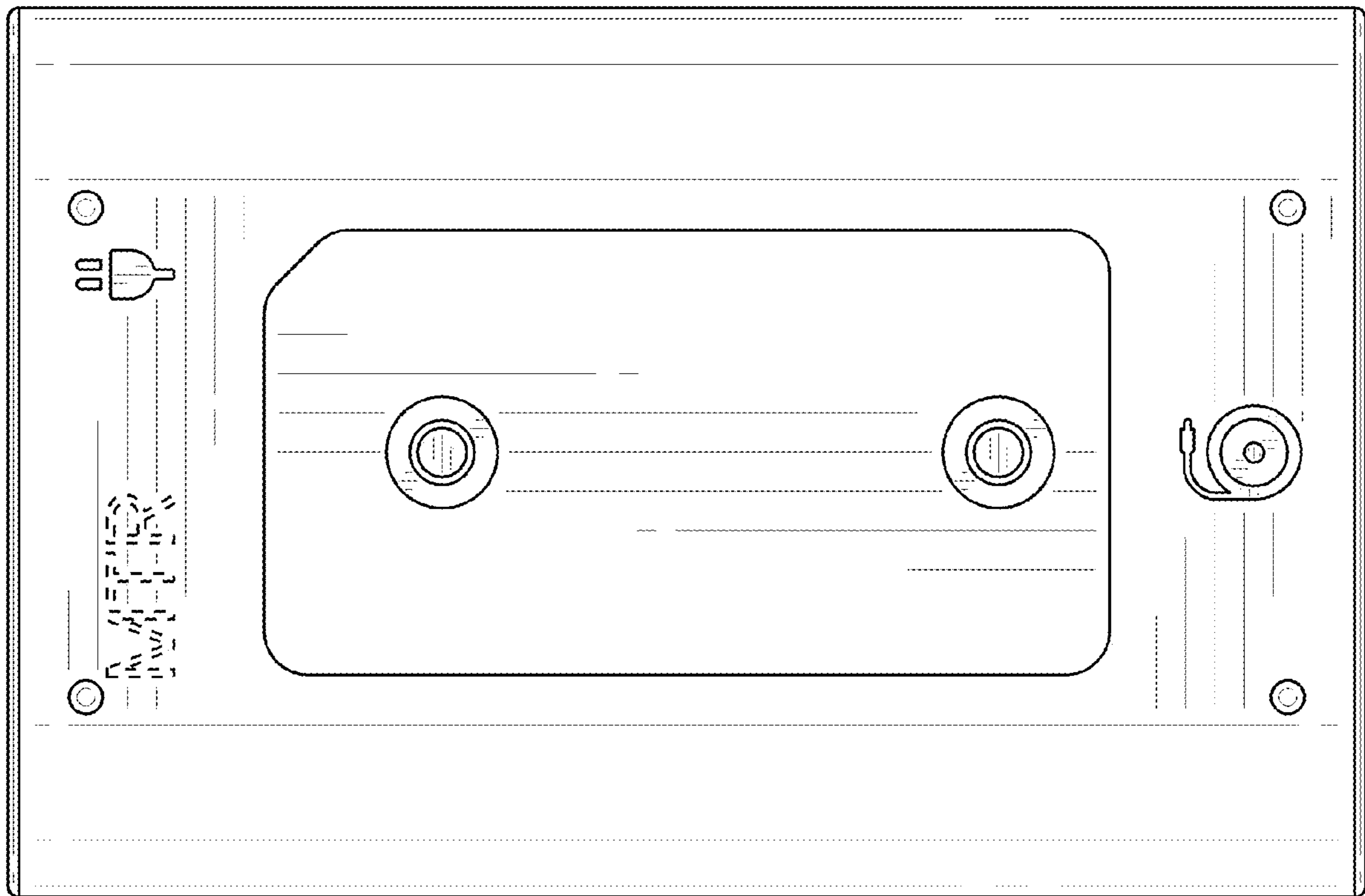


FIG. 9

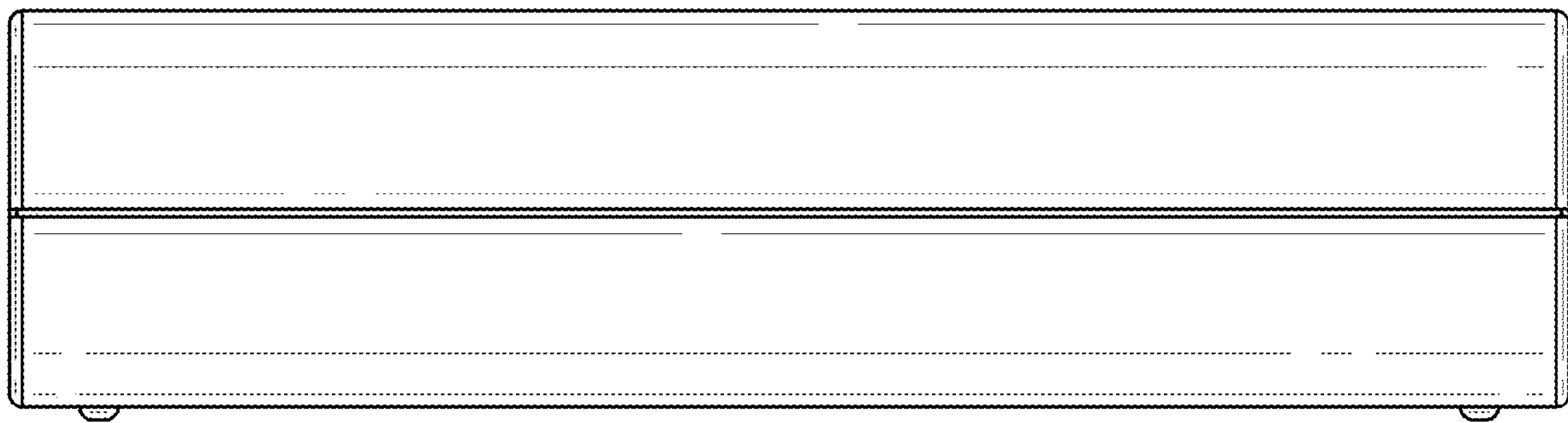


FIG. 10

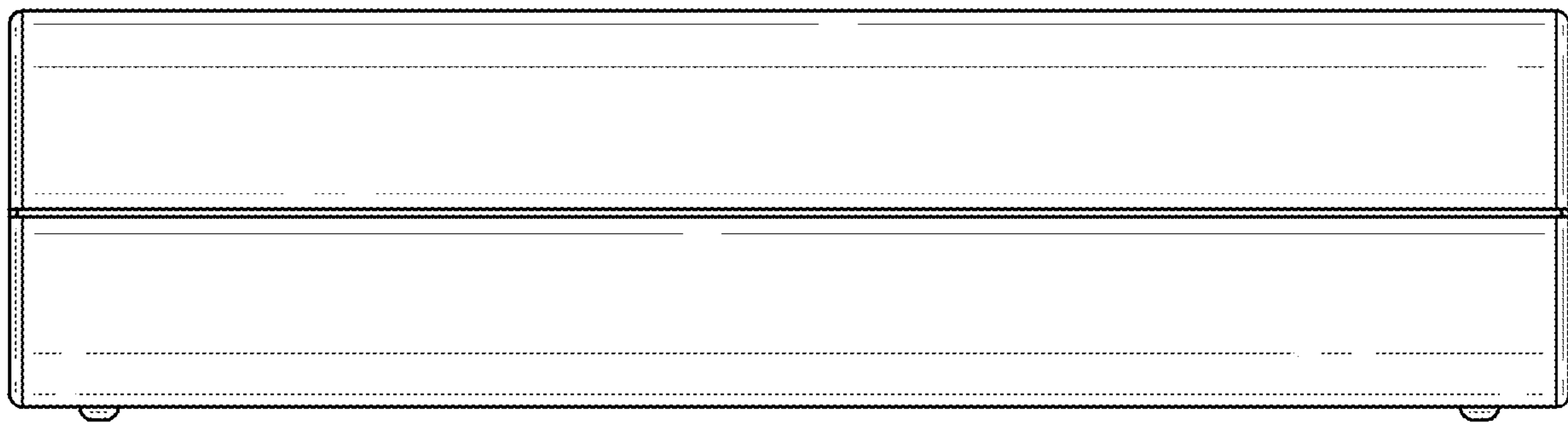


FIG. 11

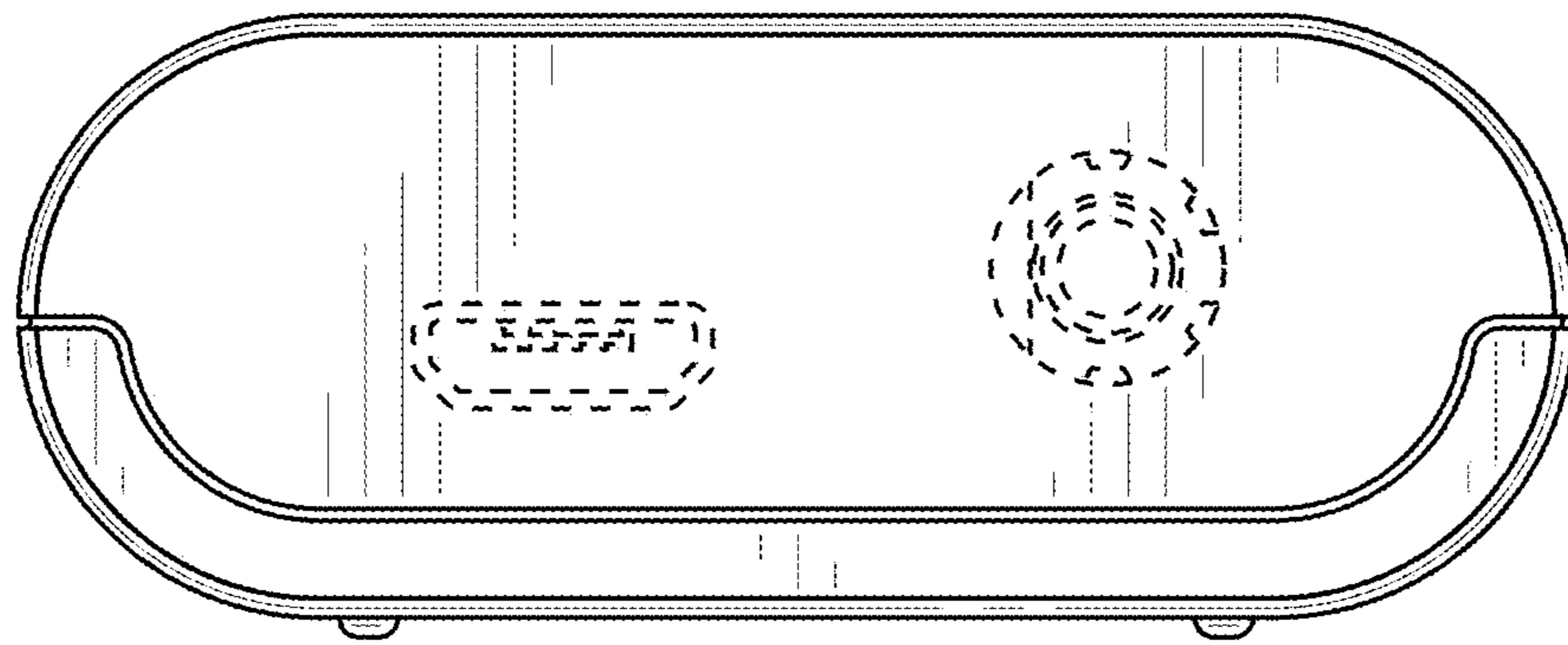


FIG. 12

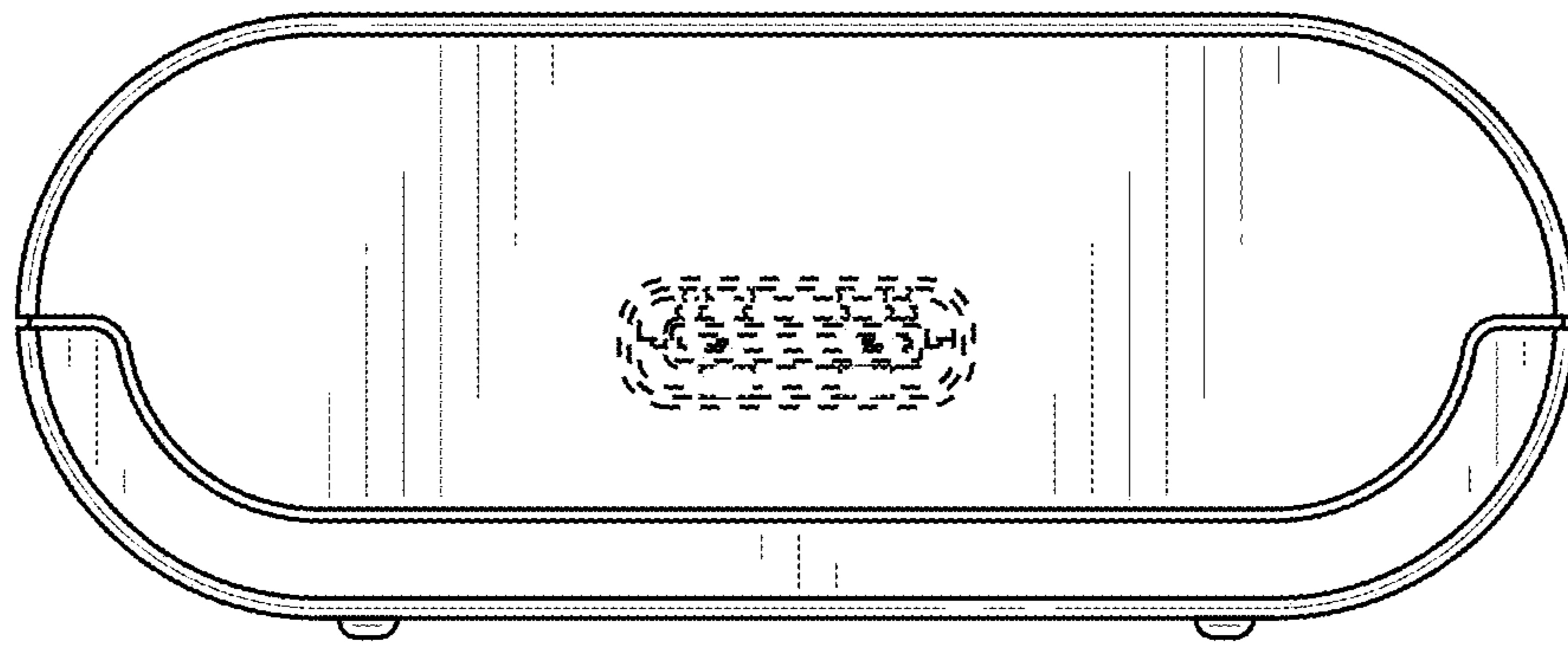


FIG. 13

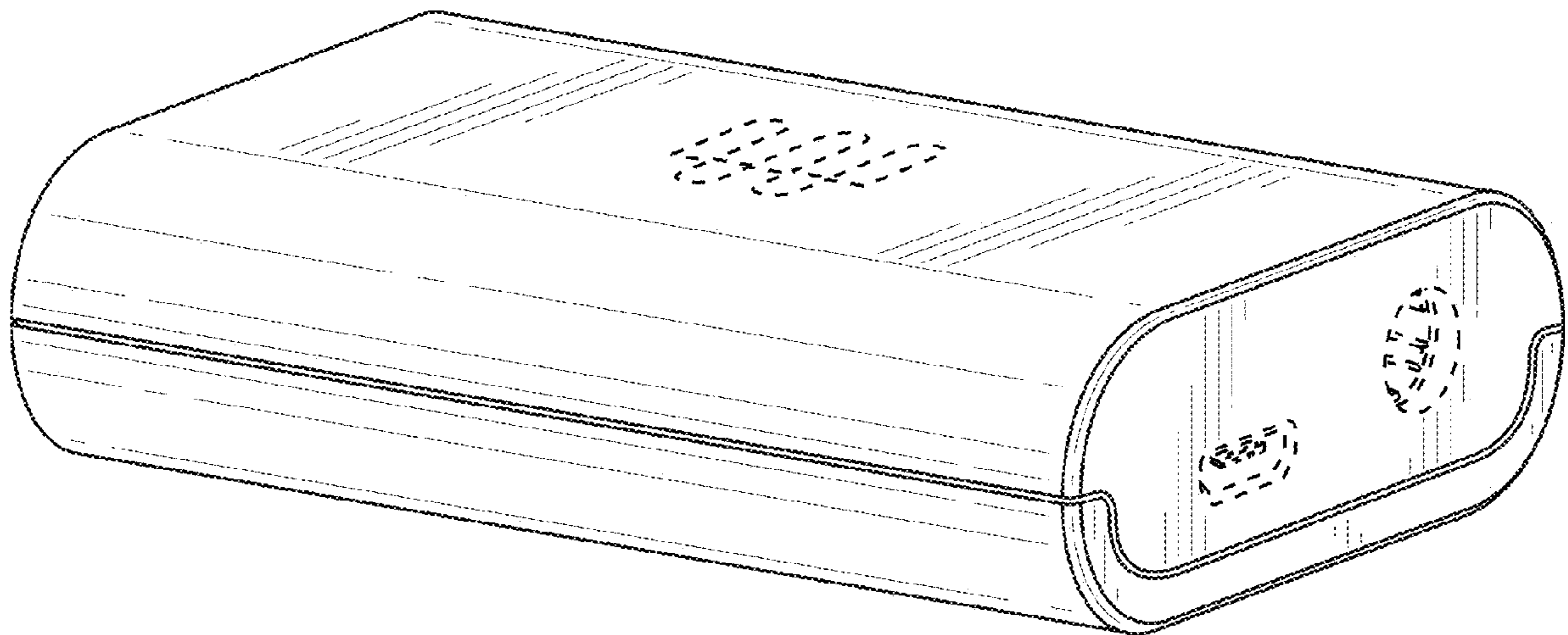


FIG. 14