



US00D976814S

(12) **United States Design Patent**
Shum

(10) **Patent No.:** **US D976,814 S**
(45) **Date of Patent:** **** Jan. 31, 2023**

(54) **BATTERY CHARGER**

(71) Applicant: **VECTOR PRODUCTS, INC.**, Boca Raton, FL (US)

(72) Inventor: **Ling To Shum**, Boca Raton, FL (US)

(73) Assignee: **VECTOR PRODUCTS, INC.**, Boca Raton, FL (US)

(**) Term: **15 Years**

(21) Appl. No.: **29/770,634**

(22) Filed: **Feb. 15, 2021**

(51) **LOC (14) Cl.** **13-02**

(52) **U.S. Cl.**
USPC **D13/107**

(58) **Field of Classification Search**

USPC D13/103, 107, 108, 110, 144; D12/114;
D14/155, 252; D27/141

CPC H02J 7/342; H01R 2201/26

See application file for complete search history.

(56) **References Cited**

U.S. PATENT DOCUMENTS

D709,449 S *	7/2014	Oba	D13/110
D887,356 S *	6/2020	Li	D13/110
D939,432 S *	12/2021	Botsai	D13/103
D942,931 S *	2/2022	Fang	D13/110
D943,513 S *	2/2022	Osellame	D13/107
D943,516 S *	2/2022	Wang	D13/107
D944,191 S *	2/2022	Wang	D13/107
D944,725 S *	3/2022	Zeng	D13/103
D946,510 S *	3/2022	Xuan	D13/107
D951,862 S *	5/2022	Xia	D13/103
D953,258 S *	5/2022	Ye	D13/103
D954,641 S *	6/2022	Zeng	D13/103
D955,341 S *	6/2022	Inskeep	D13/110

OTHER PUBLICATIONS

Power Bricks. (Design—© Questel) orbit.com. [Online PDF compilation of references] 43 pgs. Print Dates Range Mar. 22, 2021-Nov. 6, 2019 [Retrieved Jun. 28, 2022].*

Fanatec CSL DD Pro Elite CSW Power Supply Brick Mounting Bracket for 8020 sim rig. Before Apr. 16, 2022. Etsy. <https://www.etsy.com/listing/1195085462/fanatec-csl-dd-pro-elite-csw-power>.*

(Continued)

Primary Examiner — George D. Kirschbaum

Assistant Examiner — Suzanne E Tisdell

(74) *Attorney, Agent, or Firm* — Daniel S. Polley, P.A.

(57) **CLAIM**

The ornamental design for a battery charger, as shown and described.

DESCRIPTION

FIG. 1 is a top perspective view of the battery charger, showing the new design, with a hanging clip shown in an opened position;

FIG. 2 is a bottom perspective view of the battery charger, showing the new design, with the hanging clip shown in an opened position;

FIG. 3 is a top view thereof, with the hanging clip shown in an opened position;

FIG. 4 is a bottom view thereof, with the hanging clip shown in a closed position;

FIG. 5 is a left side view thereof;

FIG. 6 is a right side view thereof;

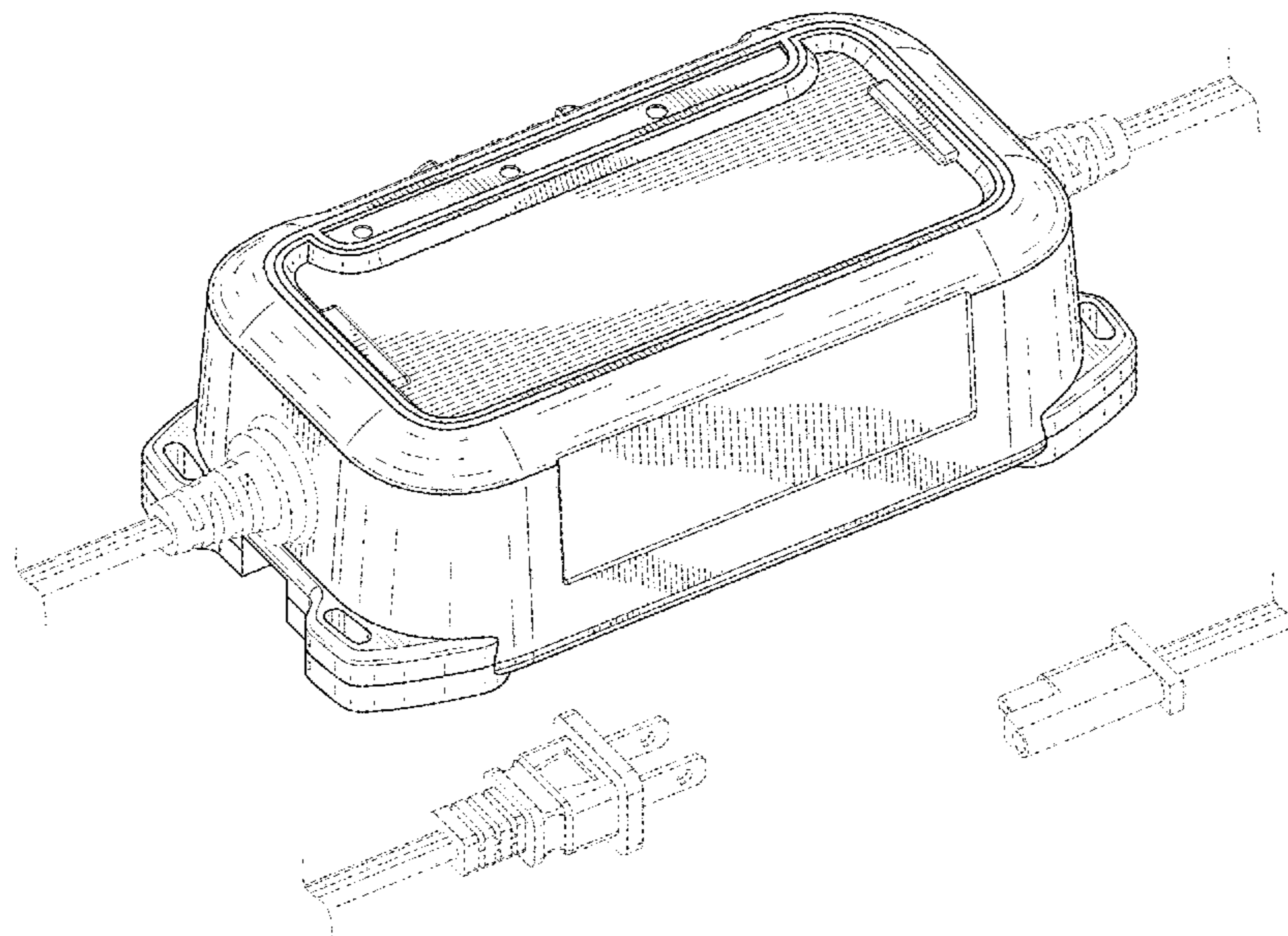
FIG. 7 is a front view thereof; with the hanging clip shown in an opened position;

FIG. 8 is a back view thereof, with the hanging clip shown in a closed position; and,

FIG. 9 is another top perspective view of the battery charger with the hanging clip shown in an opened position.

Broken lines in the drawings show environmental structures that form no part of the claimed design.

1 Claim, 7 Drawing Sheets



(56)

References Cited

OTHER PUBLICATIONS

Power Supply Bracket. Aug. 18, 2017. Bulk Reef Supply. https://www.bulkreefsupply.com/power-supply-bracket-ecotech-marine.html?dfw_tracker=43788-210709&utm_term=&utm_campaign=EL+%7C+ACQ_Propecting_Shopping+%7C+ROAS+%7C+Smart+%7C+Lighting&utm_source=adwords&utm_medium=ppc&hsa_acc=7373341438&hsa_cam=15852261599&hsa_g.*

Power Cord Replacement AC Adapter for Peloton. Aug. 7, 2020. Amazon. https://www.amazon.com/Peloton-Replacement-Adapter-Exercise-Console/dp/B08K4LZDQR.*

* cited by examiner

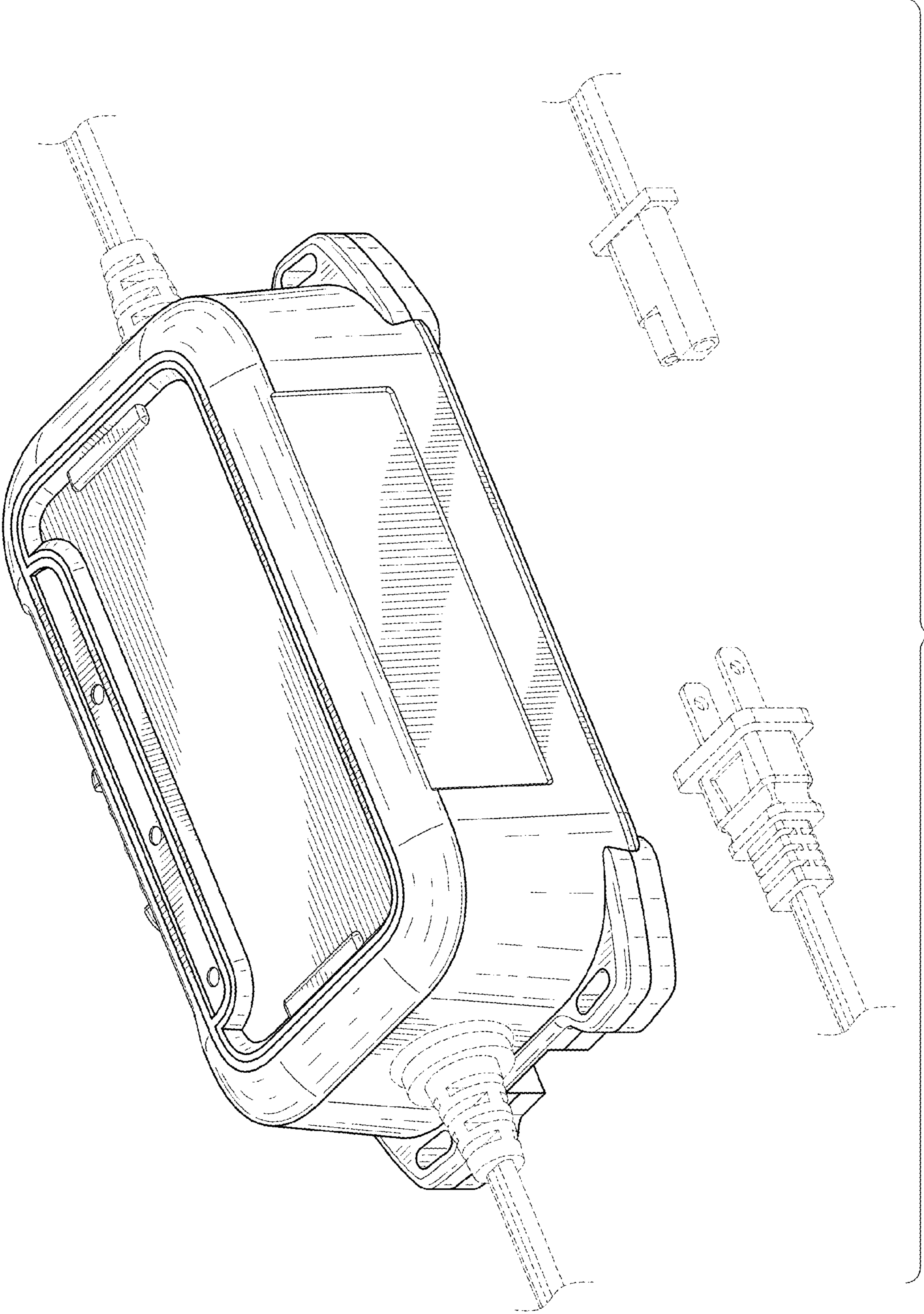


FIG. 1

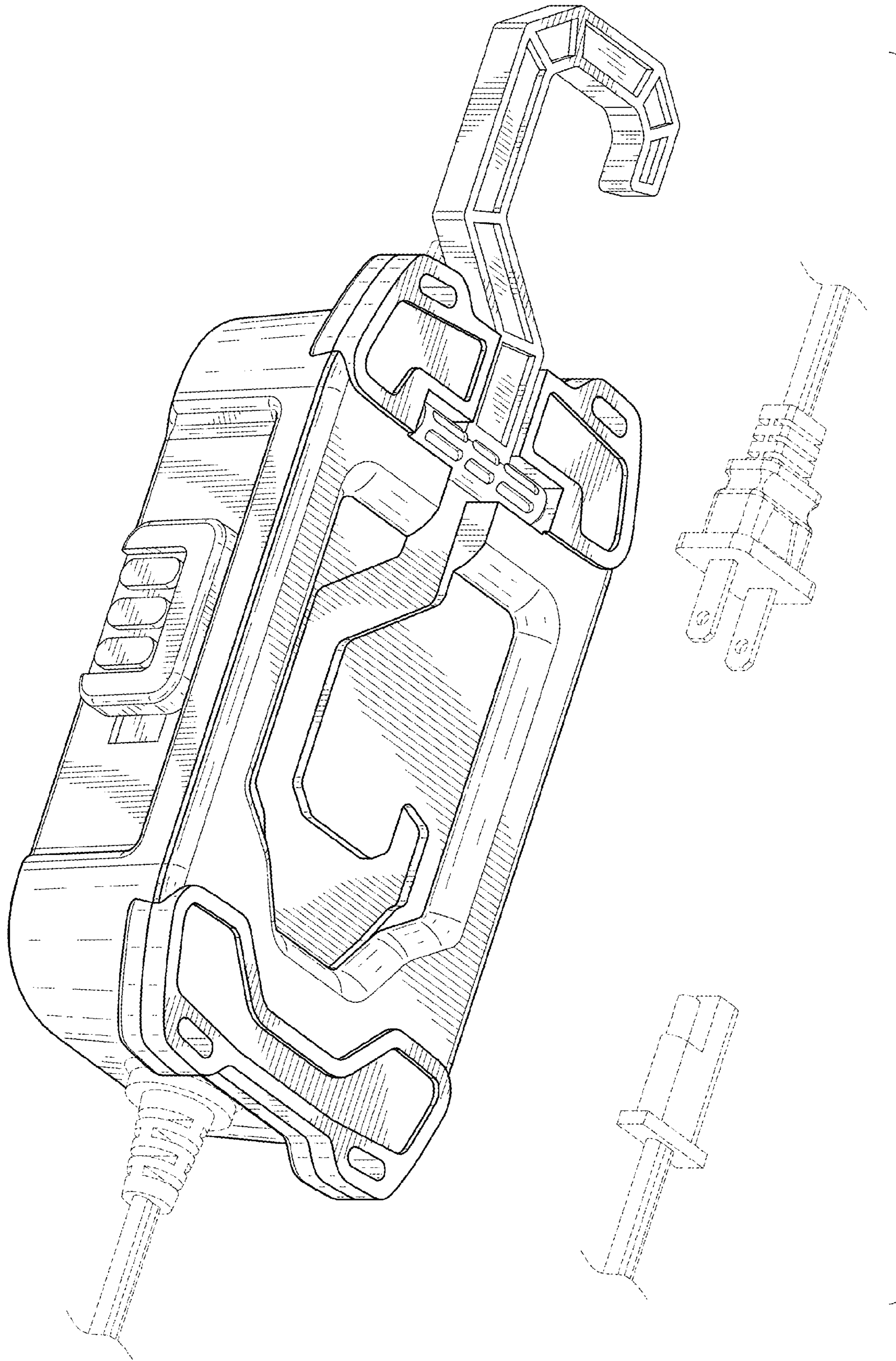


FIG. 2

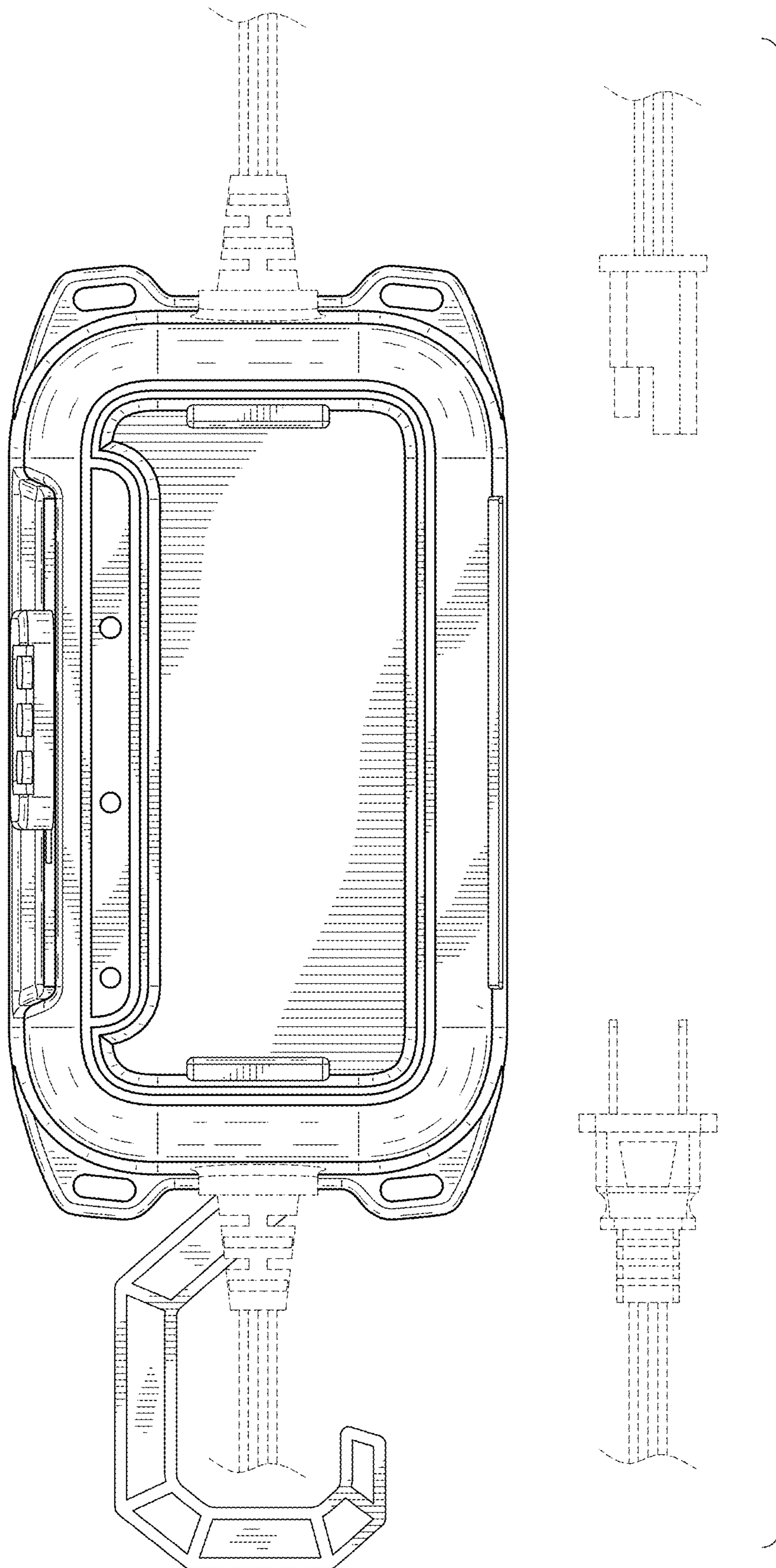


FIG. 3

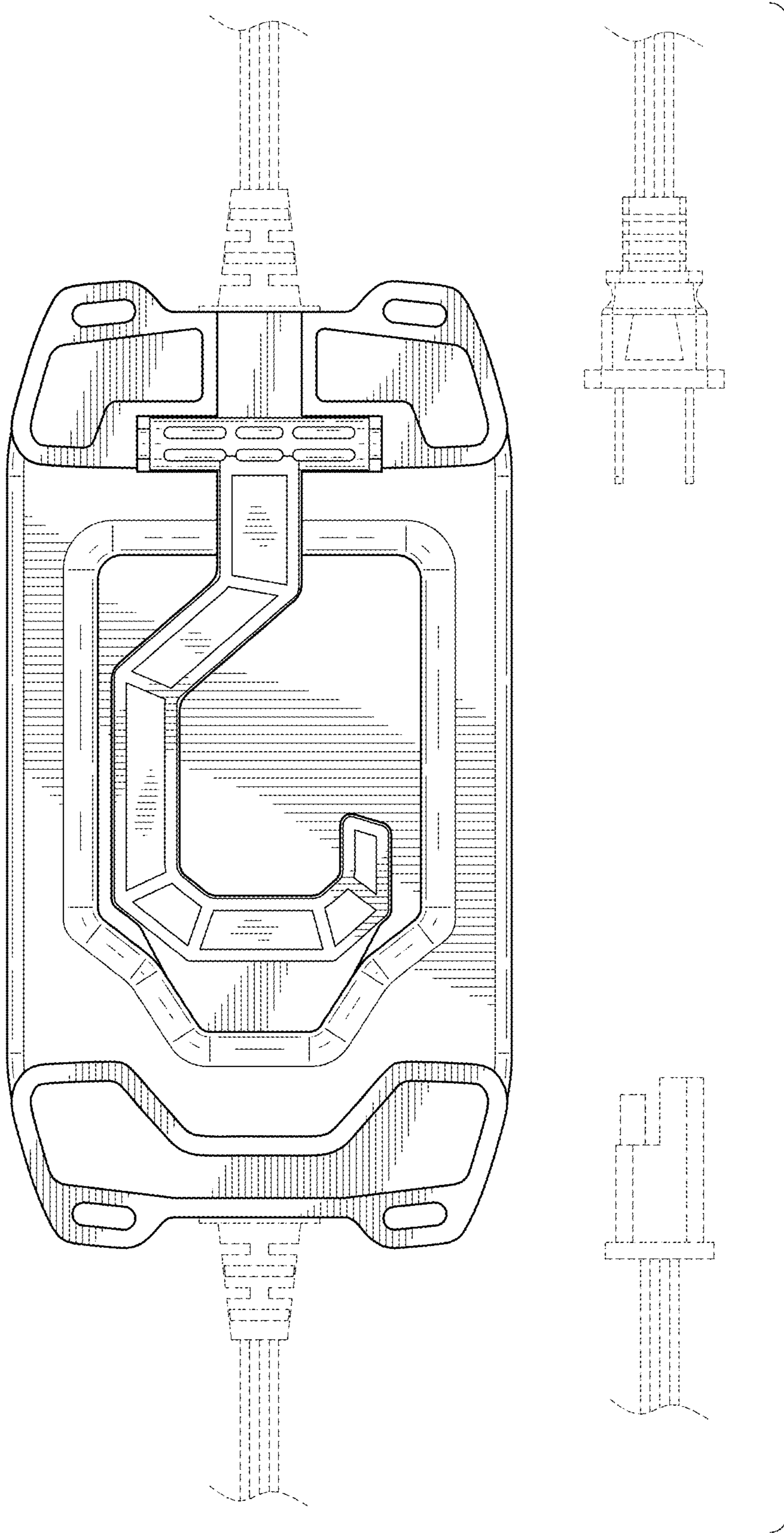


FIG. 4

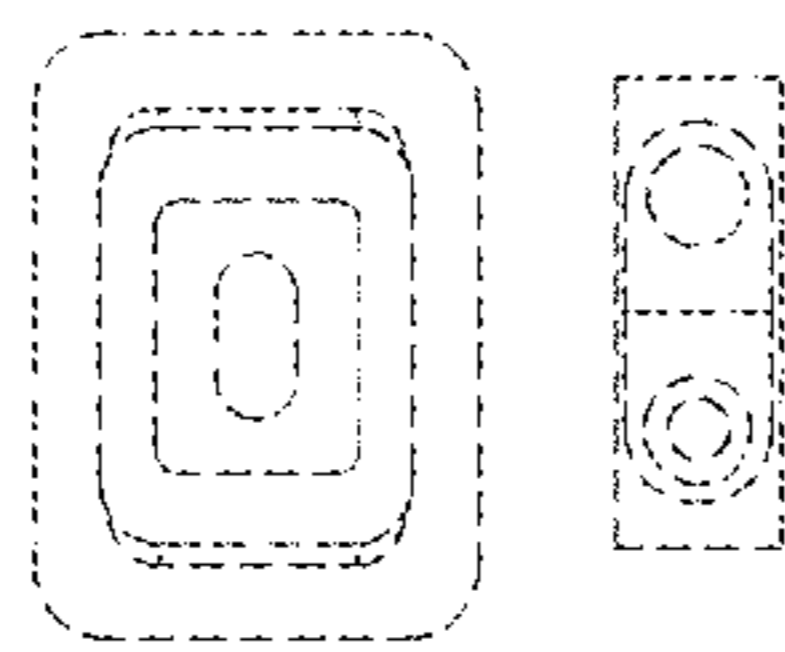
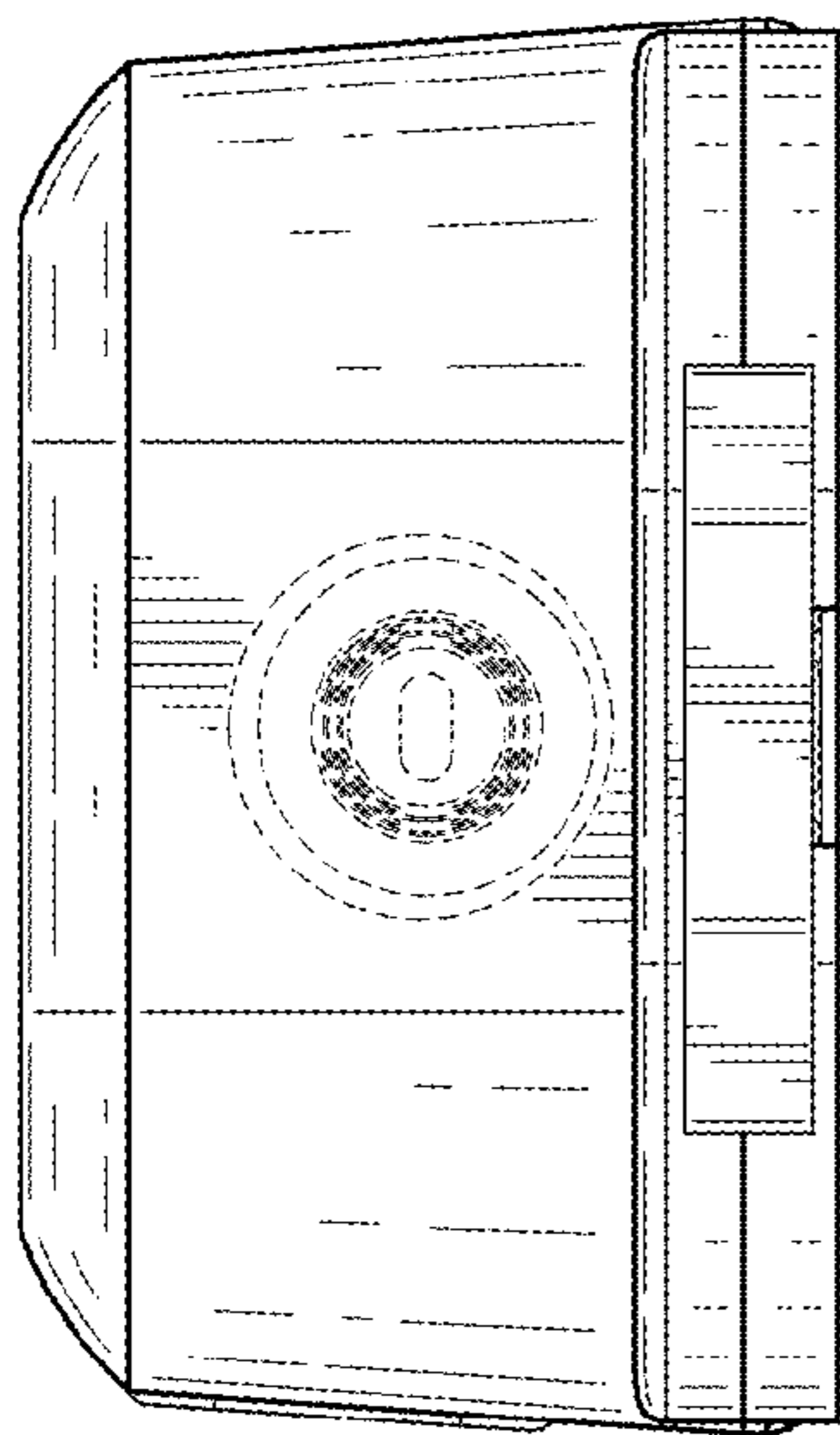


FIG. 5

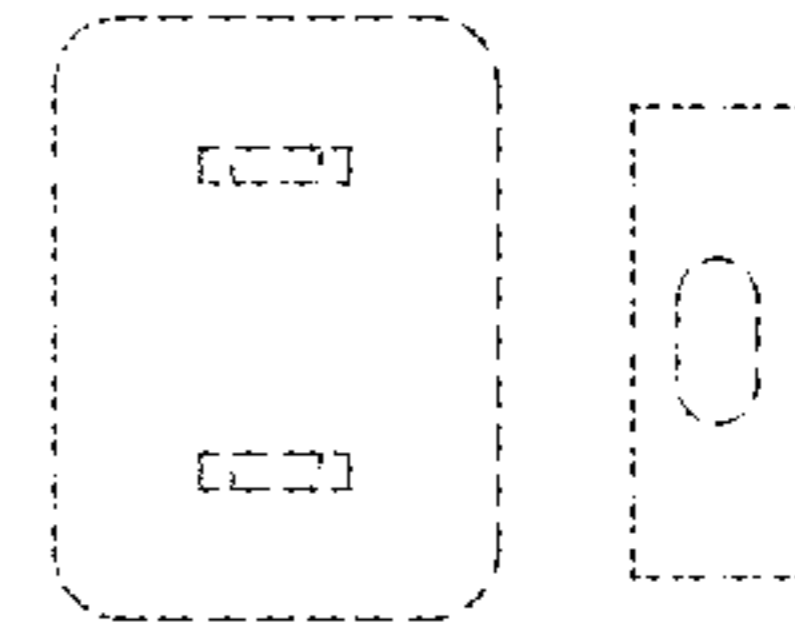
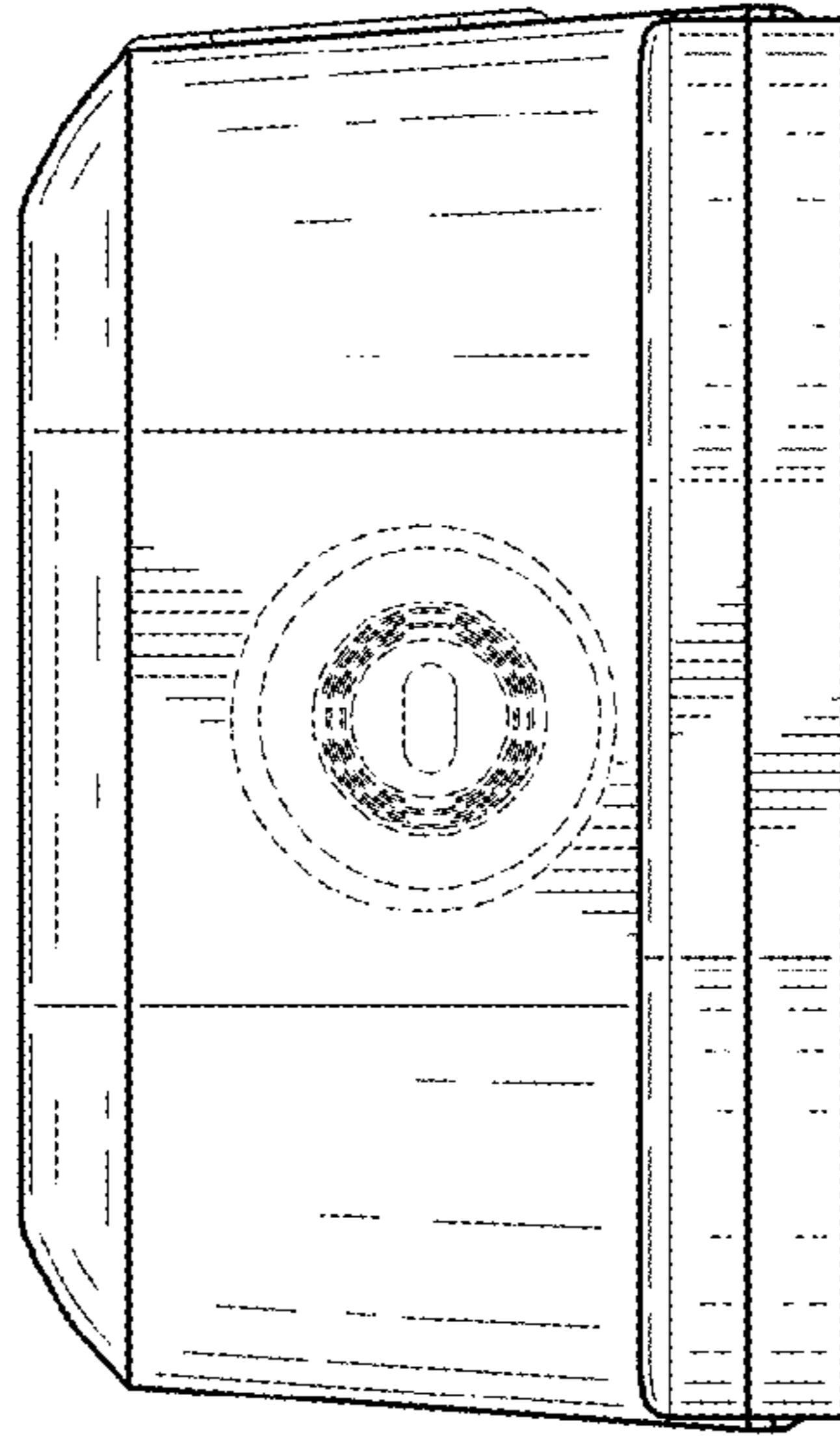
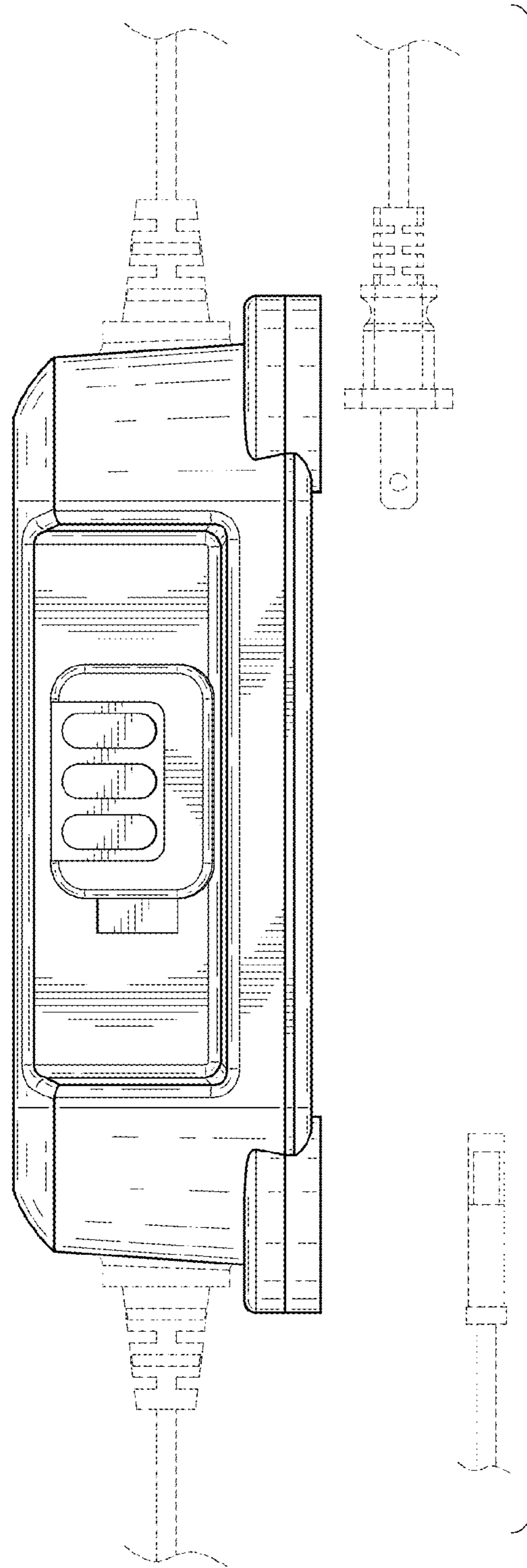
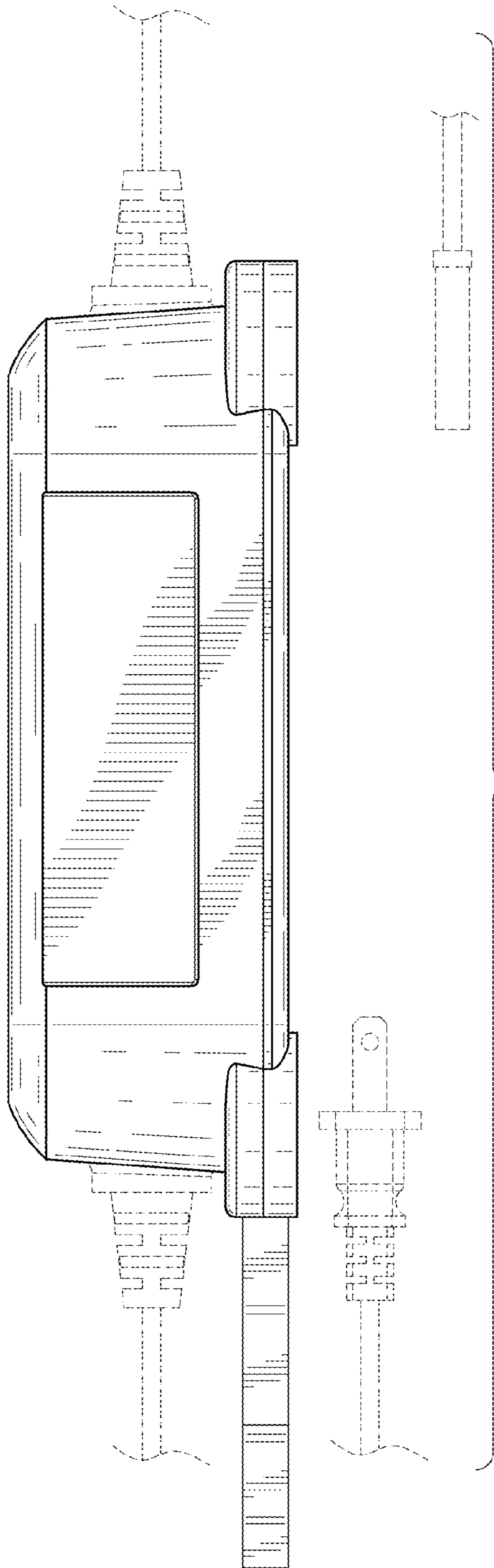


FIG. 6



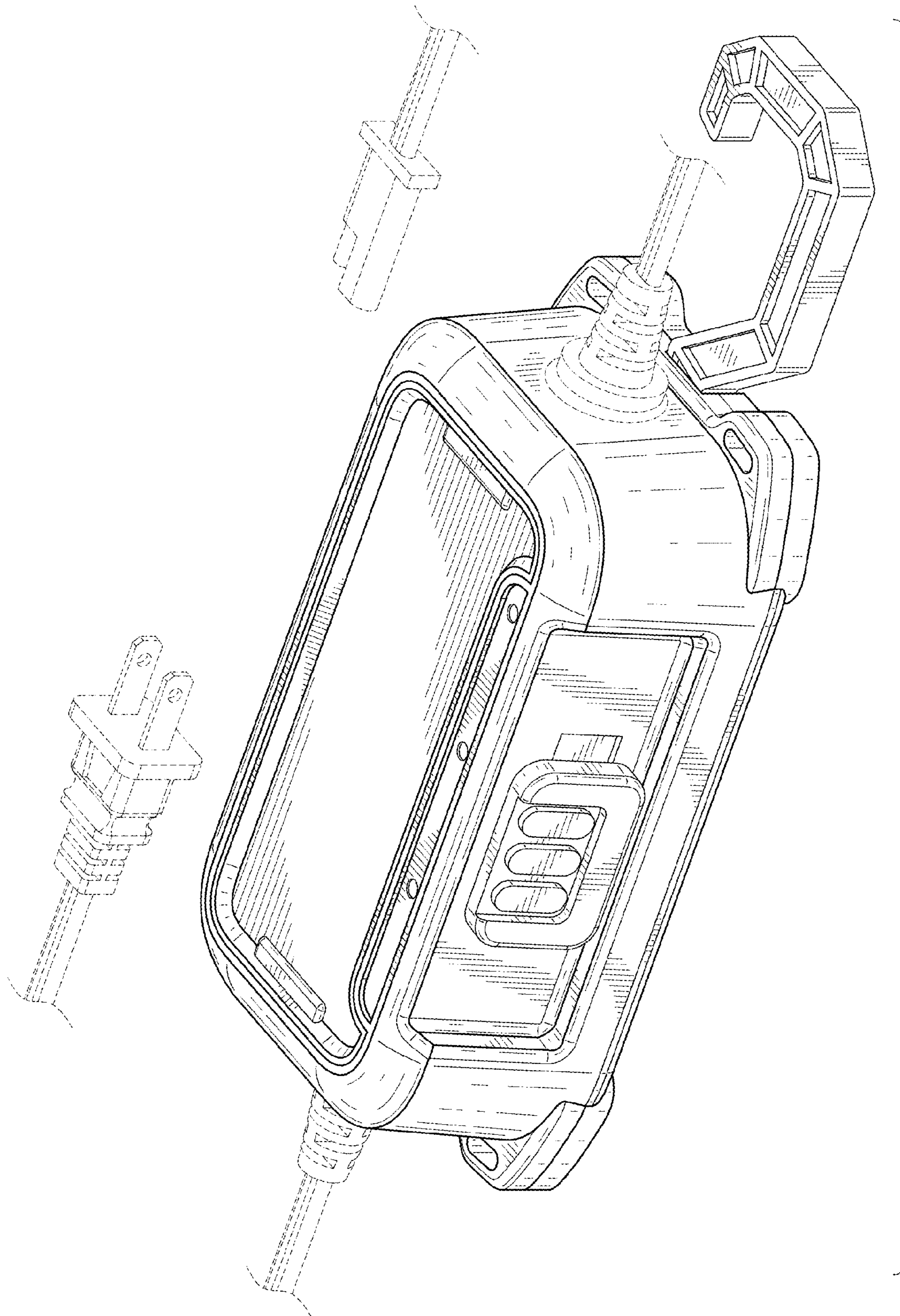


FIG. 9