



US00D976810S

(12) **United States Design Patent** (10) **Patent No.:** **US D976,810 S**
Li et al. (45) **Date of Patent:** **** Jan. 31, 2023**

(54) **BUTTON BATTERY**

(56) **References Cited**

(71) Applicant: **SPRINGPOWER TECHNOLOGY (SHENZHEN) CO., LTD**, Guangdong (CN)

U.S. PATENT DOCUMENTS

(72) Inventors: **Shenggao Li**, Guangdong (CN); **Dalin Hu**, Guangdong (CN); **Ziqin Han**, Guangdong (CN); **Yujie Guo**, Guangdong (CN); **Xingqun Liao**, Guangdong (CN)

D426,807 S *	6/2000	Buckle	D13/103
D598,018 S *	8/2009	Sumii	D14/301
D600,694 S *	9/2009	Sumii	D14/356
D601,564 S *	10/2009	Maeno	D21/333
8,524,386 B2 *	9/2013	Petrie	H01M 50/216 429/96
D743,382 S *	11/2015	Katori	D14/228
D750,314 S *	2/2016	Hobson	D26/118
D774,455 S *	12/2016	Kim	D13/108
D777,100 S *	1/2017	Price	D13/103
D825,549 S *	8/2018	Lebovitz	D14/253
D834,002 S *	11/2018	Bergfeldt	D14/218
D865,768 S *	11/2019	Du	D14/433
D918,204 S *	5/2021	Raken	D14/388

(73) Assignee: **SPRINGPOWER TECHNOLOGY (SHENZHEN) CO., LTD**, Shenzhen (CN)

(**) Term: **15 Years**

* cited by examiner

(21) Appl. No.: **29/794,336**

Primary Examiner — Nathaniel D. Buckner

(22) Filed: **Jun. 11, 2021**

(57) **CLAIM**

(51) **LOC (14) Cl.** **13-02**

The ornamental design for a button battery, as shown and described.

(52) **U.S. Cl.**

USPC **D13/103**

DESCRIPTION

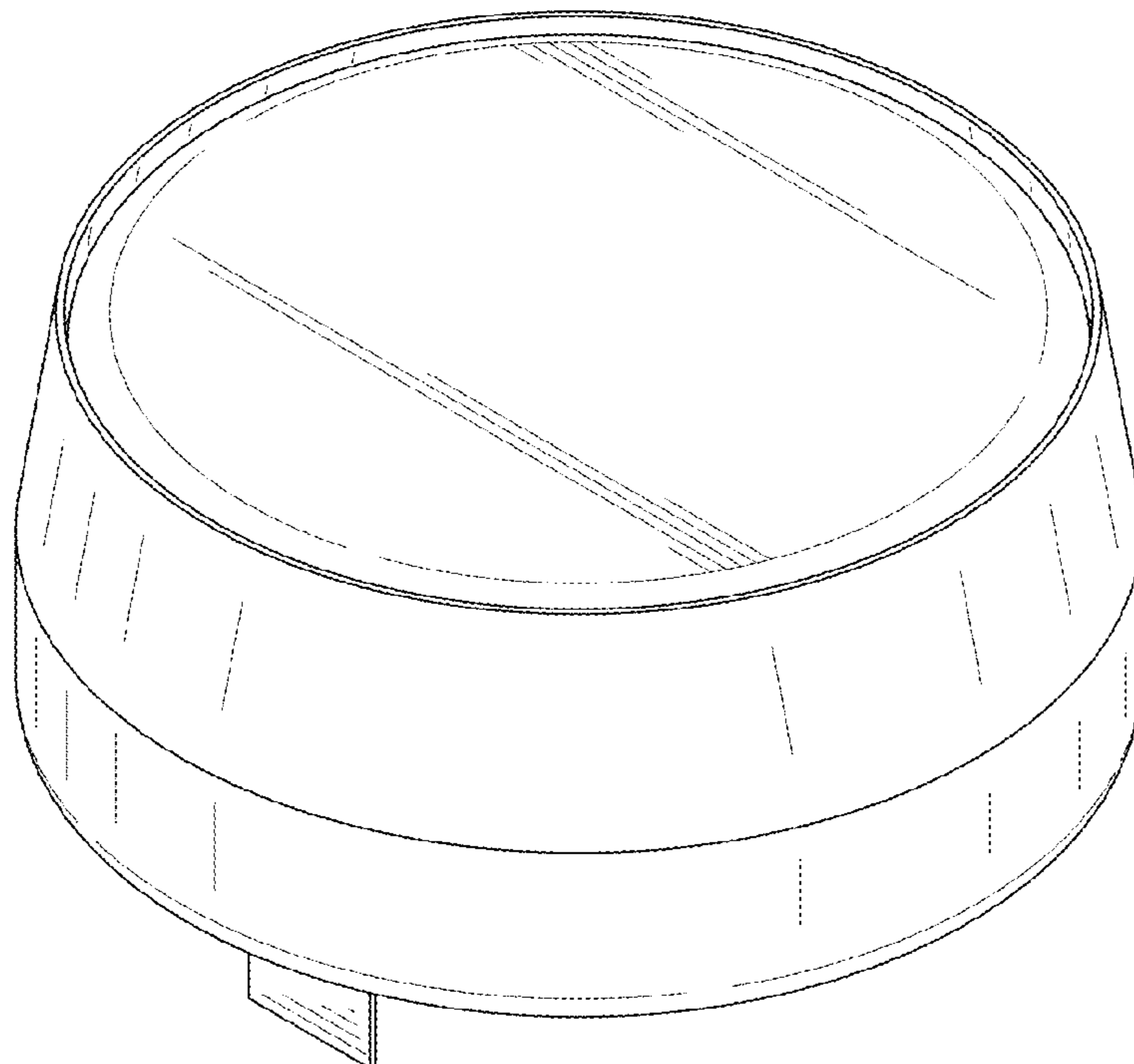
(58) **Field of Classification Search**

USPC D13/102–106, 110, 118–119, 184
CPC . Y02E 60/10; H01M 2220/30; H01M 50/209;
H01M 50/213; H01M 50/183; H01M 50/10;
H01M 50/529; H01M 50/531; H01M 10/0525;
H01M 10/0436; H01M 10/052; H01M 10/0565;
H01M 10/30; H01M 10/345; H01M 10/425; H01M 2010/0495;
B25F 5/02; B25F 5/00; A61B 2017/00734

FIG. 1 is a top perspective view of a button battery showing our new design;
FIG. 2 is a bottom perspective view thereof;
FIG. 3 is a front elevational view thereof;
FIG. 4 is a rear elevational view thereof;
FIG. 5 is a left side view thereof;
FIG. 6 is a right side view thereof;
FIG. 7 is a top plan view thereof; and,
FIG. 8 is a bottom plan view thereof.

See application file for complete search history.

1 Claim, 8 Drawing Sheets



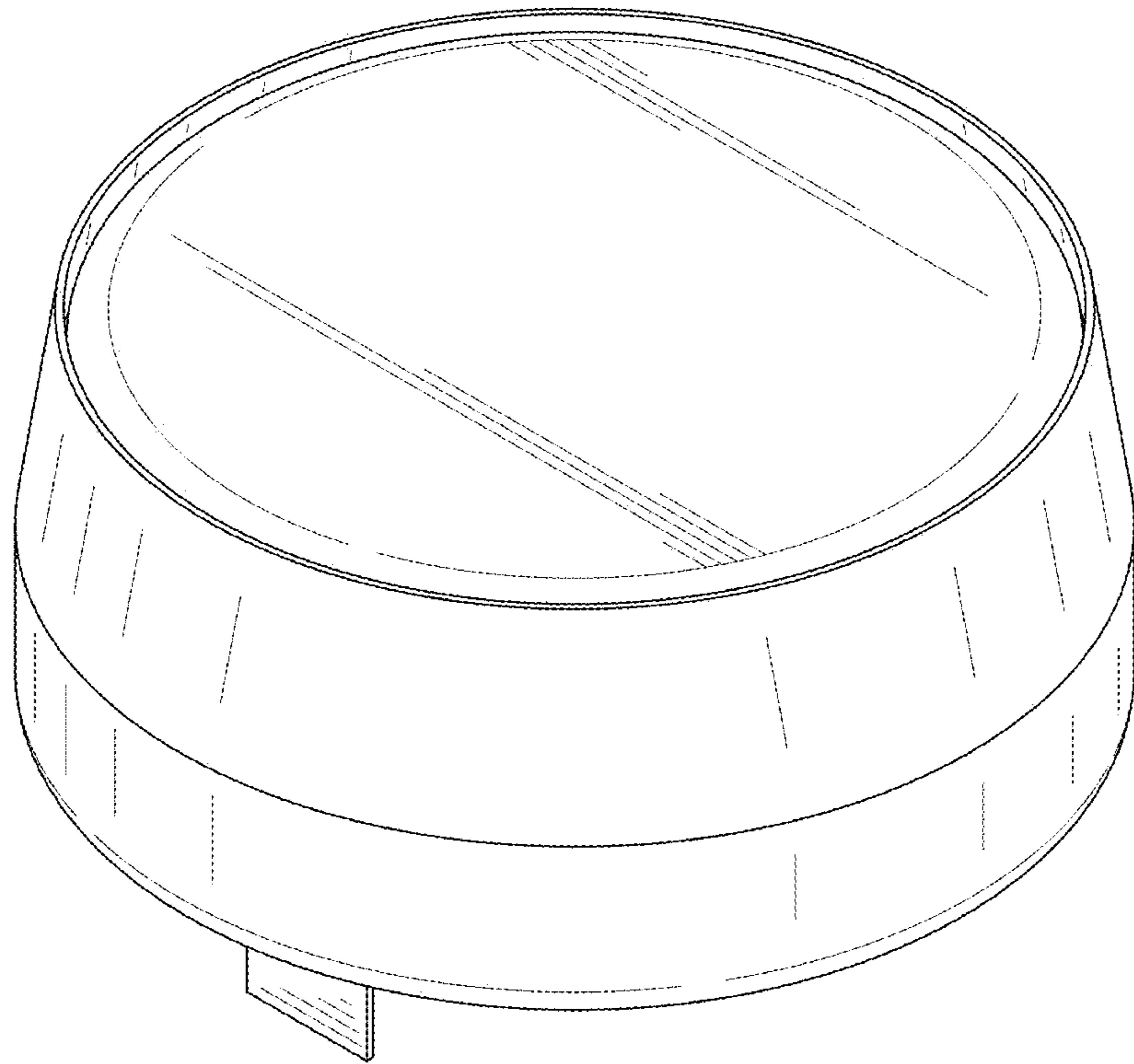


FIG. 1

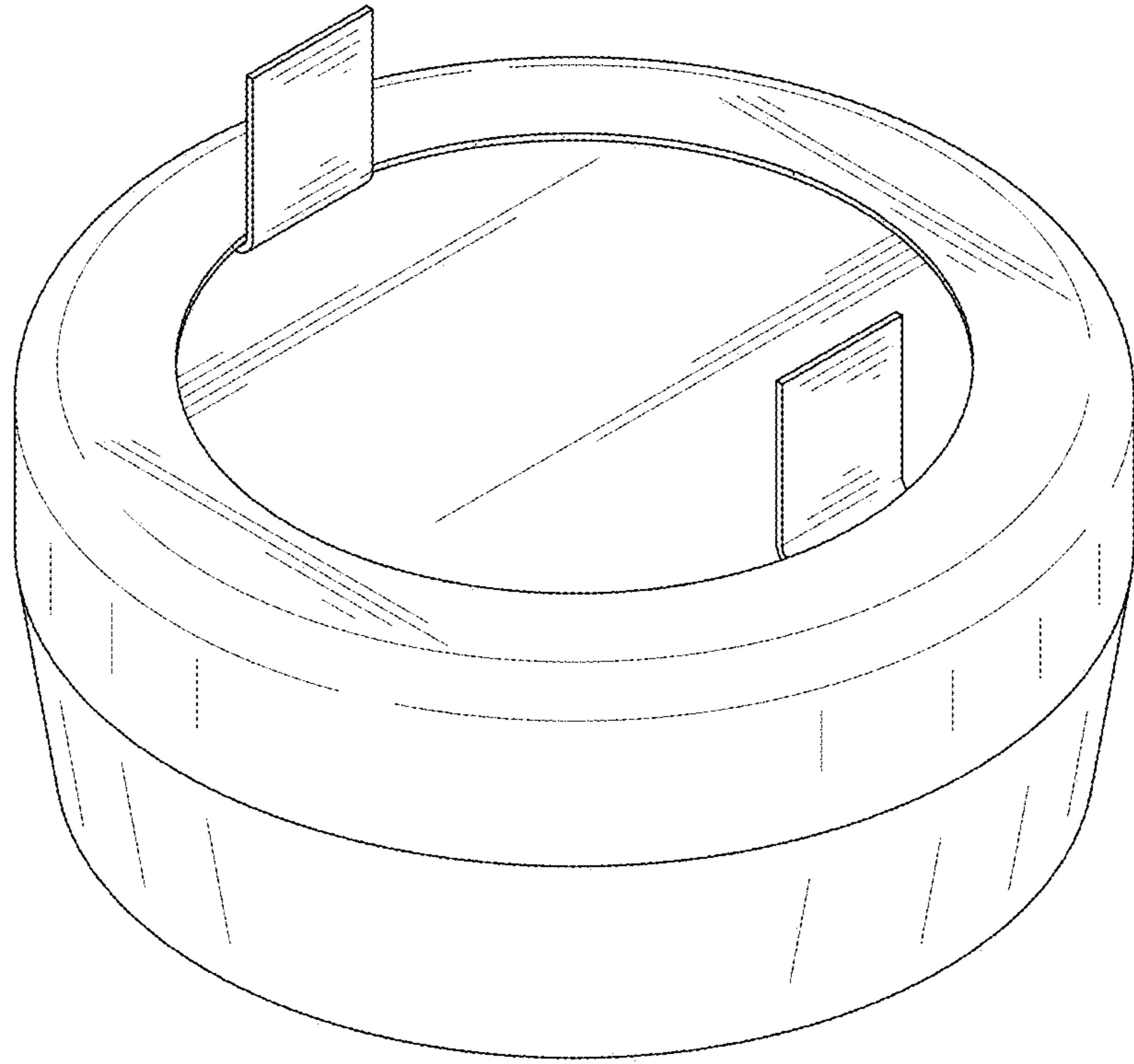


FIG. 2

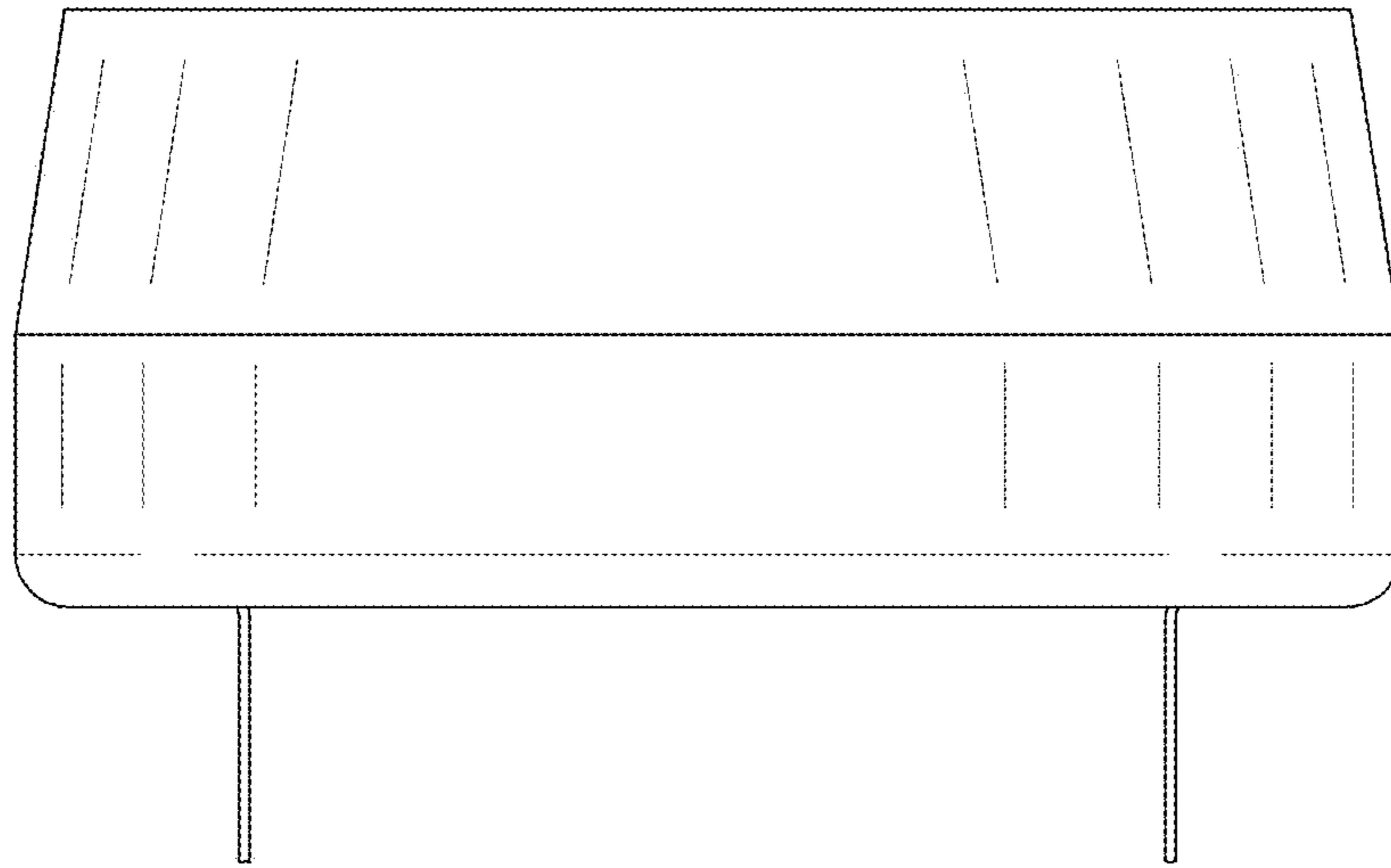


FIG. 3

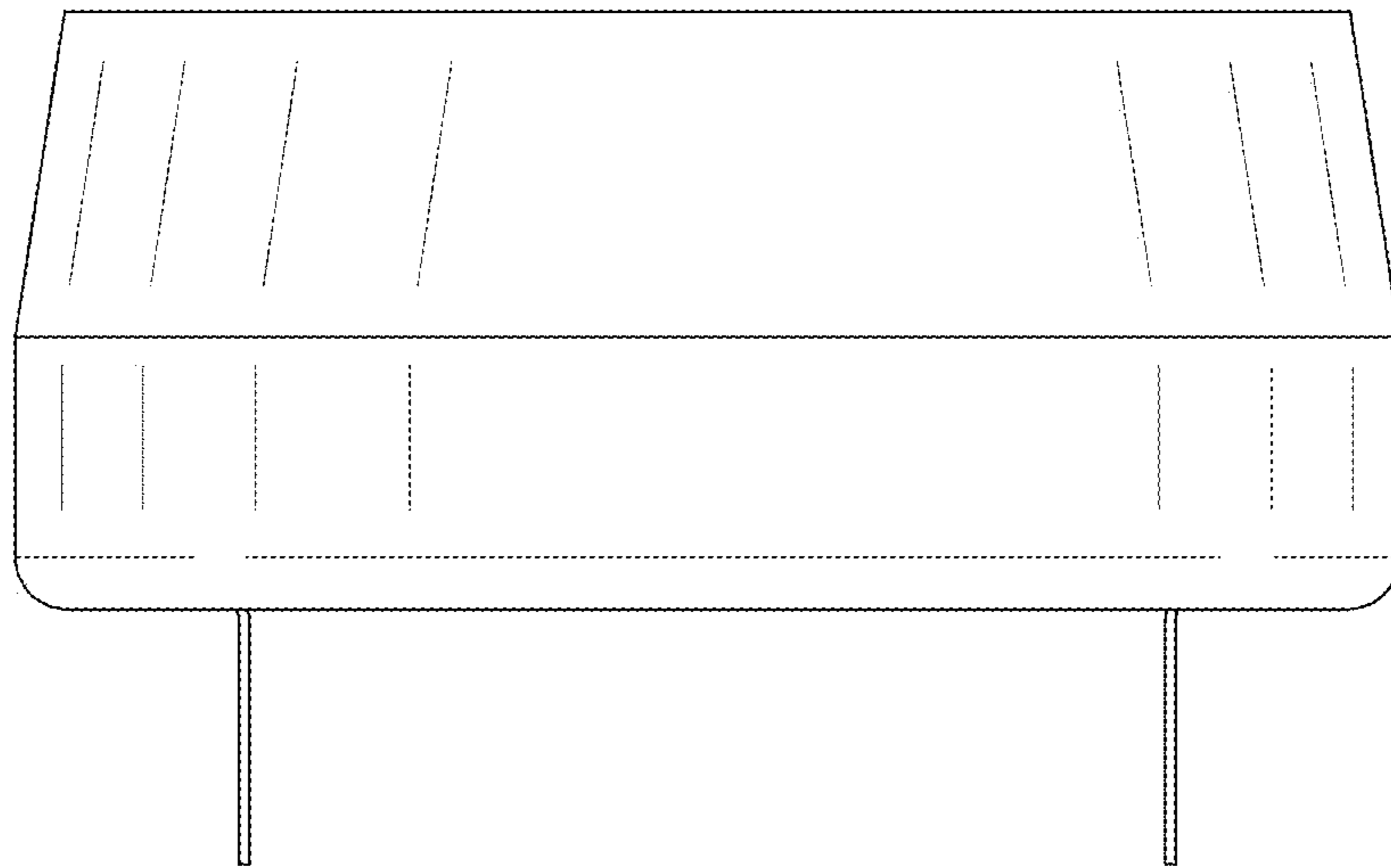


FIG. 4

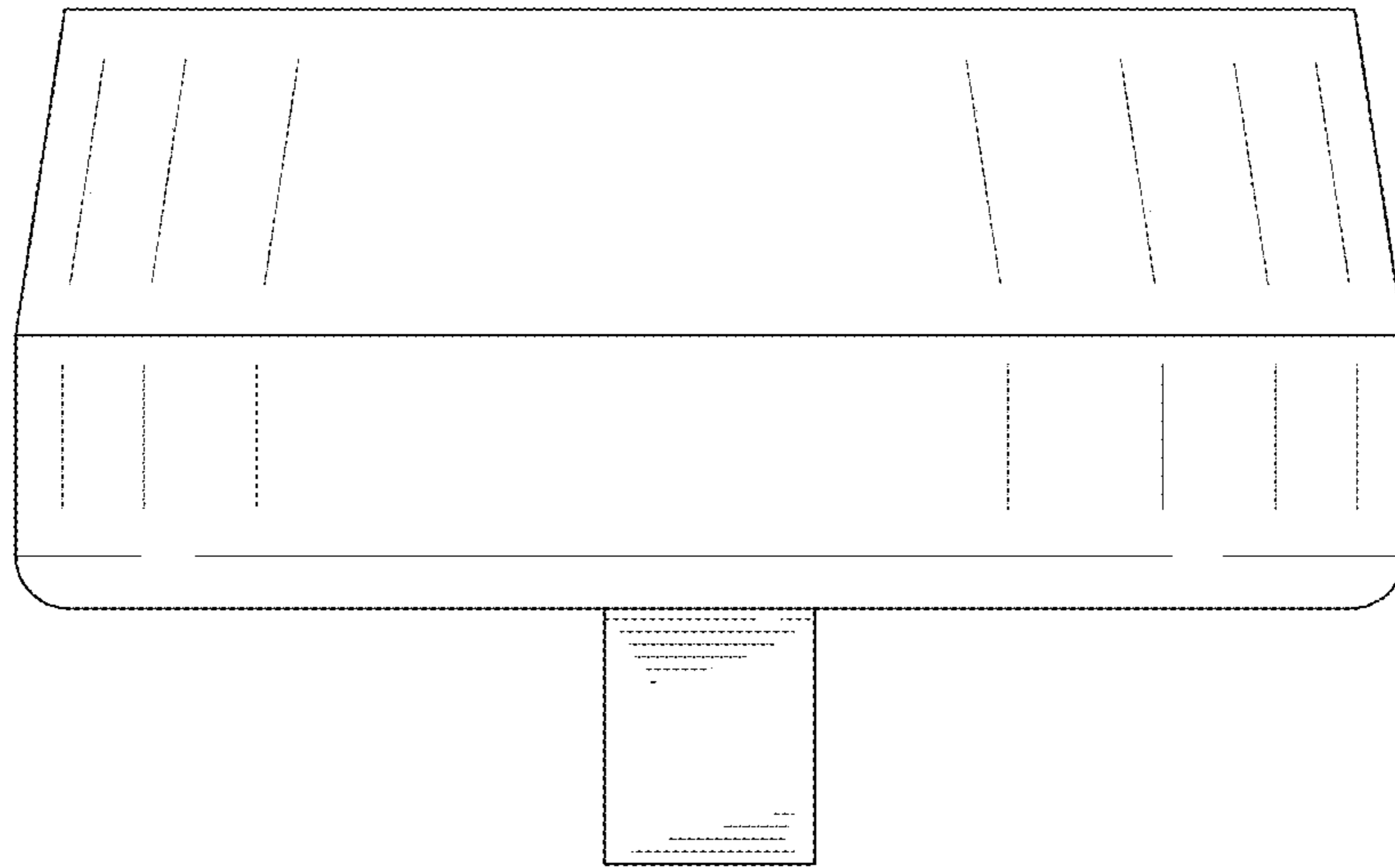


FIG. 5

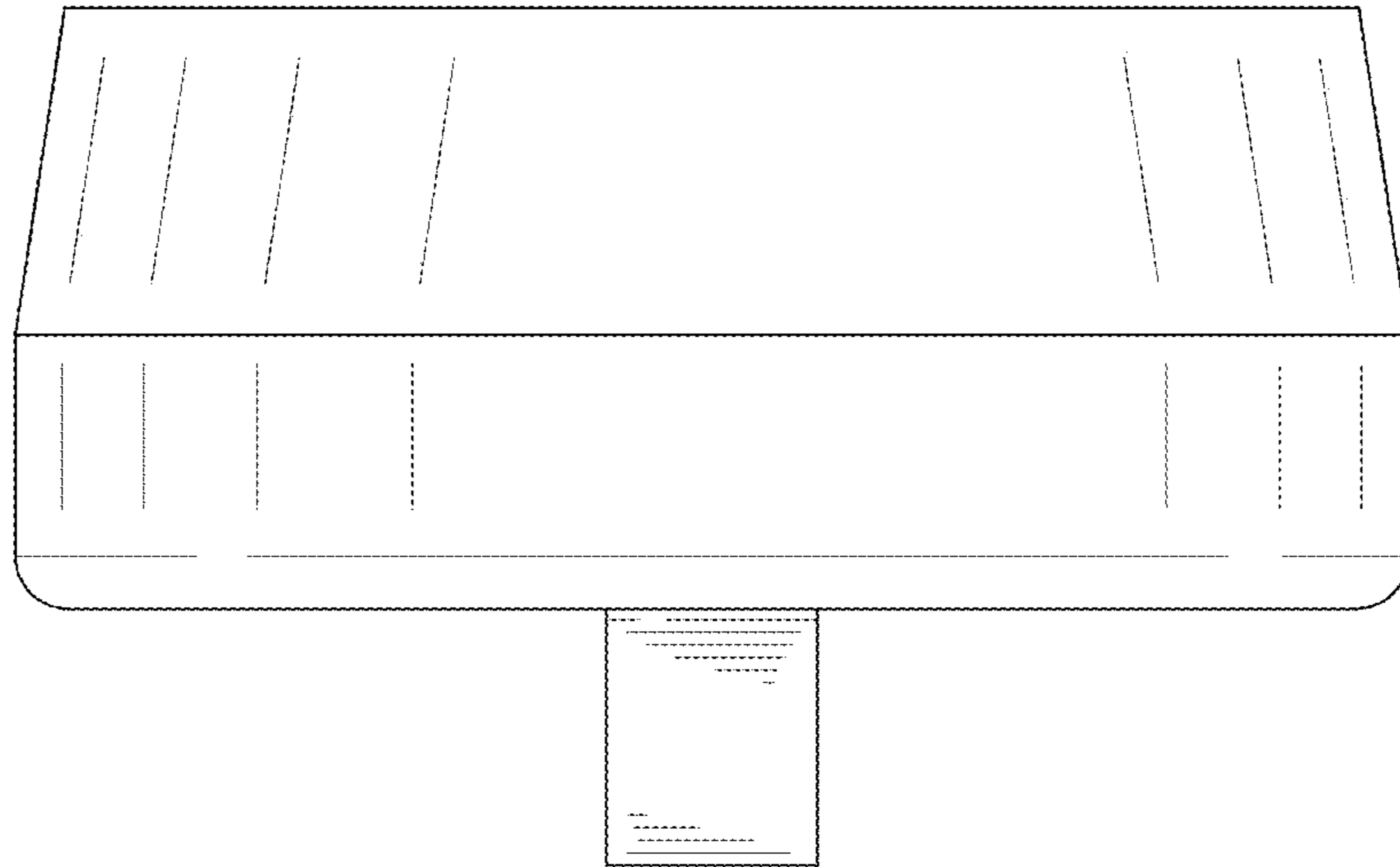


FIG. 6

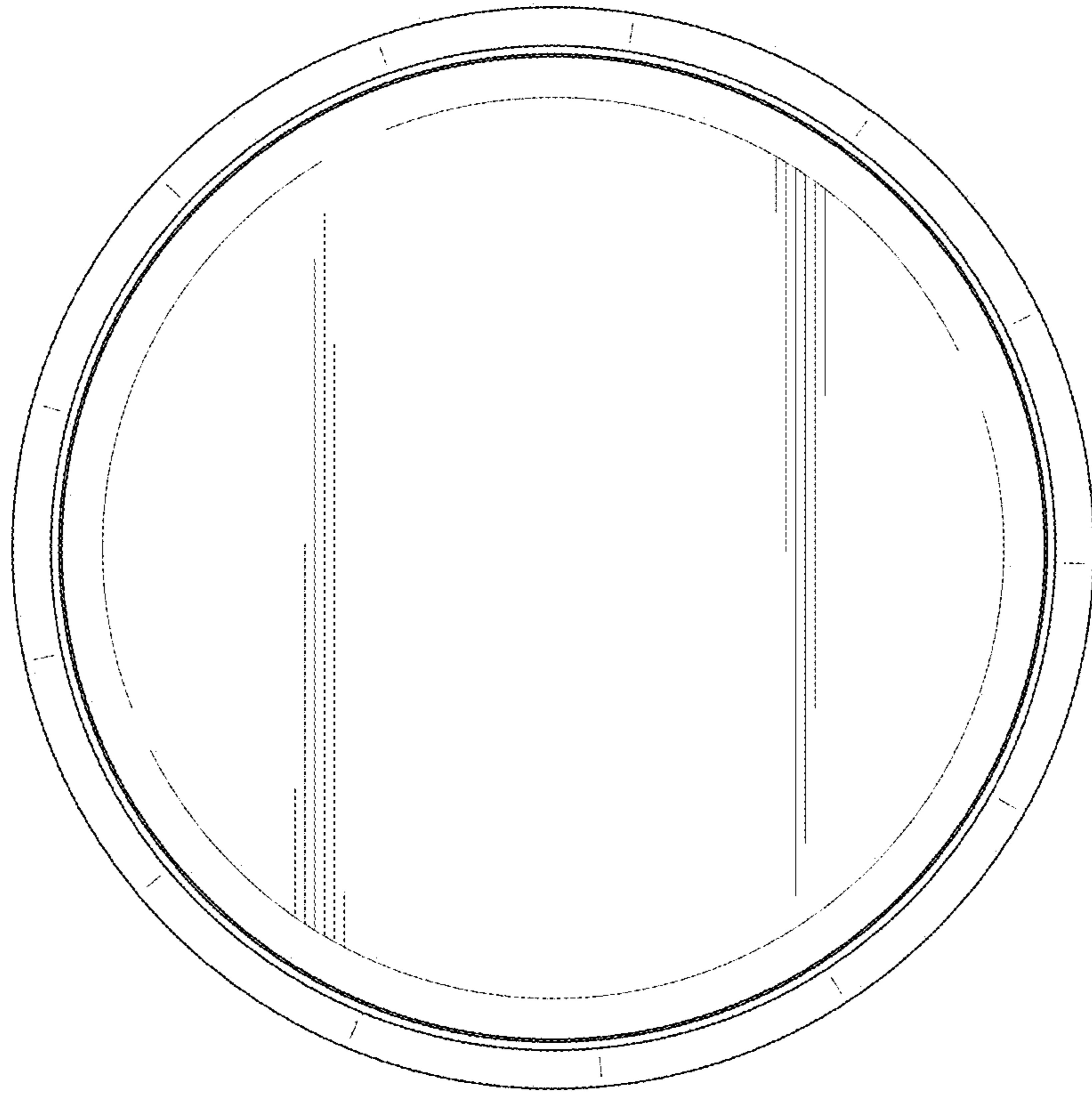


FIG. 7

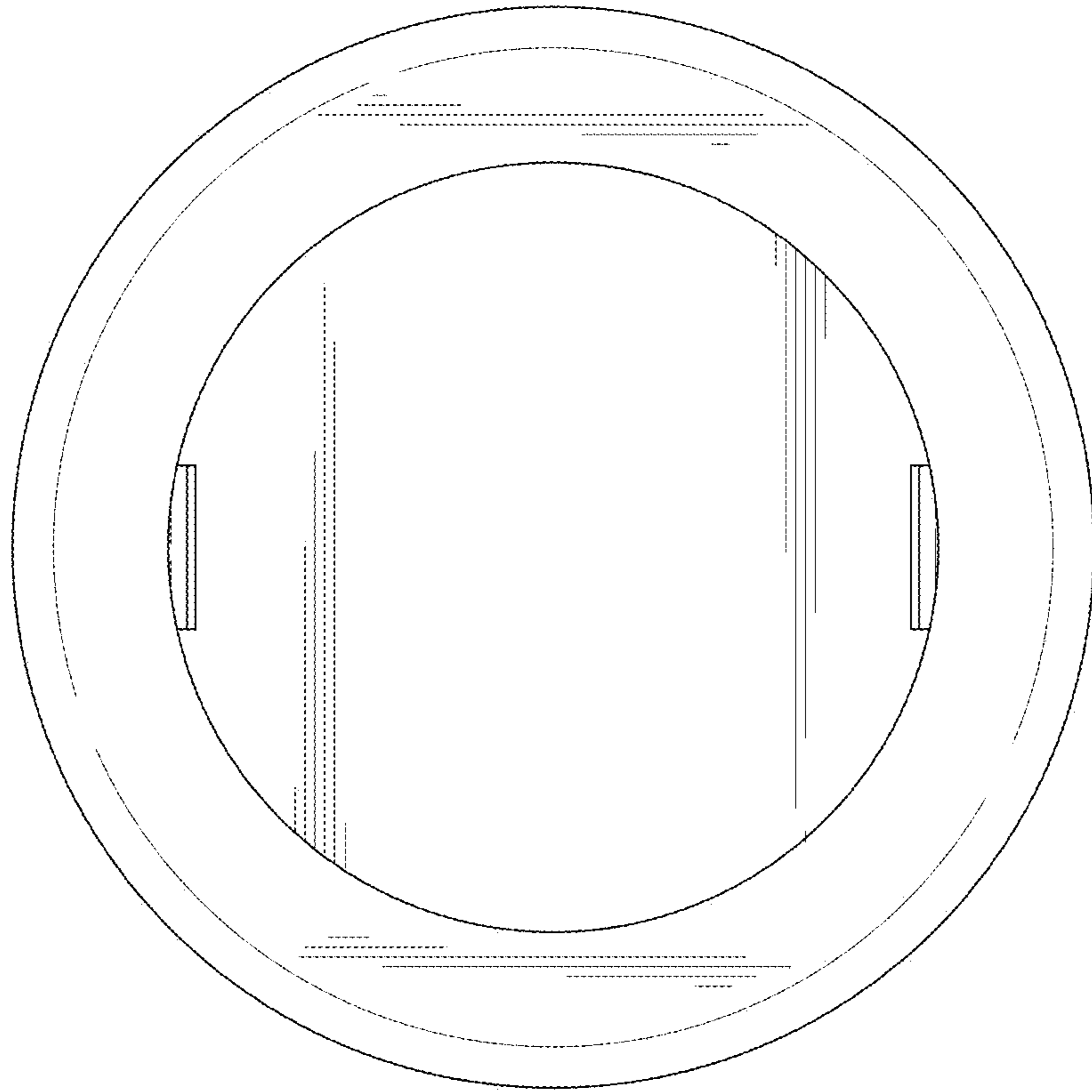


FIG. 8