



US00D976809S

(12) **United States Design Patent**
Badawi et al.

(10) **Patent No.:** **US D976,809 S**
(45) **Date of Patent:** **** Jan. 31, 2023**

(54) **SOLAR POWER PLANT**

FOREIGN PATENT DOCUMENTS

(71) Applicants: **Khalil Badawi**, Safat (KW); **Luis Sevillano**, Madrid (ES)

CN 112165140 1/2021
JP 2020175336 A2 10/2020
(Continued)

(72) Inventors: **Khalil Badawi**, Safat (KW); **Luis Sevillano**, Madrid (ES)

OTHER PUBLICATIONS

(**) Term: **15 Years**

Solar Power Plants. Design—© Questel) orbit.com. [Online PDF compilation of references] 35 pgs. Print Dates Range Sep. 11, 2019-Apr. 5, 2006 [Retrieved Jan. 5, 2022].*

(21) Appl. No.: **29/765,035**

(Continued)

(22) Filed: **Jan. 5, 2021**

Primary Examiner — George D. Kirschbaum

(51) **LOC (14) Cl.** **13-04**

Assistant Examiner — Suzanne E Tisdell

(52) **U.S. Cl.**

(74) *Attorney, Agent, or Firm* — Winthrop & Weinstine, P.A.; Nadeem W. Schwen; Alicia Griffin Mills

USPC **D13/102**

(57) **CLAIM**

(58) **Field of Classification Search**

The ornamental design for a solar power plant, as shown and described.

USPC D10/104.1; D13/101, 102, 103, 107, D13/109, 118, 119, 184, 199; D14/371, D14/432, 439, 441, 447, 451; D21/480, D21/484; D25/109, 140, 144

DESCRIPTION

CPC F21S 8/086; F21S 9/032; H01L 31/042; H01L 31/022425; H01L 31/18

See application file for complete search history.

FIG. 1 is an upper front isometric view of our new ornamental design for a solar power plant in accordance with the present disclosure;

(56) **References Cited**

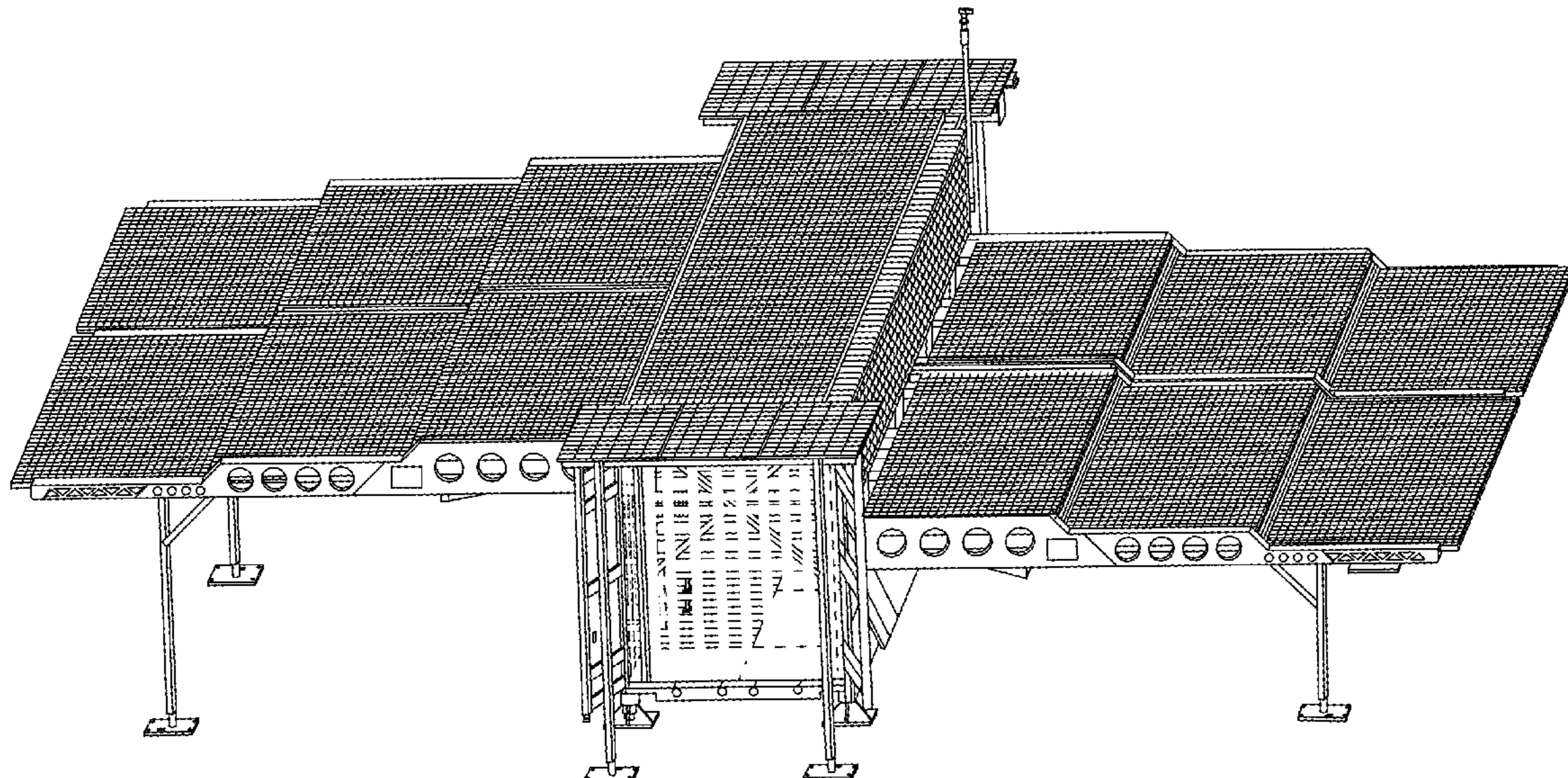
U.S. PATENT DOCUMENTS

D814,399 S *	4/2018	Atchley	H02S 20/23
				D13/102
D899,351 S *	10/2020	Lin	D13/102
D902,141 S *	11/2020	Zheng	D13/102
D902,142 S *	11/2020	Zheng	D13/102
D923,561 S *	6/2021	Timmerman	D13/102
D926,117 S *	7/2021	Silva	D13/102
D932,995 S *	10/2021	Bead	D13/102
D932,996 S *	10/2021	Stone	D13/102
D933,587 S *	10/2021	Zhang	D13/102
D933,589 S *	10/2021	Thanh Ly	D13/102

FIG. 2 is an upper right isometric view thereof;
FIG. 3 is a front side elevational view thereof;
FIG. 4 is a back side elevational view thereof;
FIG. 5 is a right side elevational view thereof;
FIG. 6 is a left side elevational view thereof;
FIG. 7 is a top plan view thereof;
FIG. 8 is a bottom plan view thereof;
FIG. 7 is a front upper left isometric view thereof;
FIG. 8 is a front upper right isometric view thereof;
FIG. 9 is a rear lower left isometric view thereof;
FIG. 10 is a rear lower right isometric view thereof;
FIG. 11 is a front lower left isometric view thereof; and,
FIG. 12 is a front lower right isometric view thereof.
Broken lines included in the drawings show portions of the solar power plant that form no part of the claimed design.

(Continued)

1 Claim, 12 Drawing Sheets



(56)

References Cited

U.S. PATENT DOCUMENTS

D934,159 S * 10/2021 Dunn D13/102
D937,193 S * 11/2021 Lin D13/102
D938,899 S * 12/2021 Ruiz D13/102
2008/0196758 A1 8/2008 McGuire
2015/0013750 A1 1/2015 Meppelink et al.

FOREIGN PATENT DOCUMENTS

WO 2017165913 A1 10/2017
WO 2018209378 A1 11/2018
WO 2020114848 A1 6/2020
WO 2020260349 A1 12/2020

OTHER PUBLICATIONS

Holloway, James. California startup inks FEMA deal to provide disaster relief solar villages. May 29, 2012. New Atlas, <https://newatlas.com/green-horizon-quickhab/22719/>.*

Pollalis, S.N.; Lappas, D.; Rodriguez, J.. Solar Hybrid Microgrids in Emergency Power Management. Mar. 18, 2019. Zofnass Program. https://research.gsd.harvard.edu/zofnass/files/2019/04/190415_BC-Microgrids.pdf.*

Mobile Solar Generator Trailer for Sale in Fort Myers, FL. Mar. 10, 2015. Florida Solar Design Group, <https://floridasolardesigngroup.com/mobile-solar-generator-trailer-for-sale-in-fort-myers-fl/>.*

International Search Report for PCT/US2022/011321, dated May 17, 2022, 4 pages.

Written Opinion for PCT/US2022/011321, dated May 17, 2022, 7 pages.

* cited by examiner

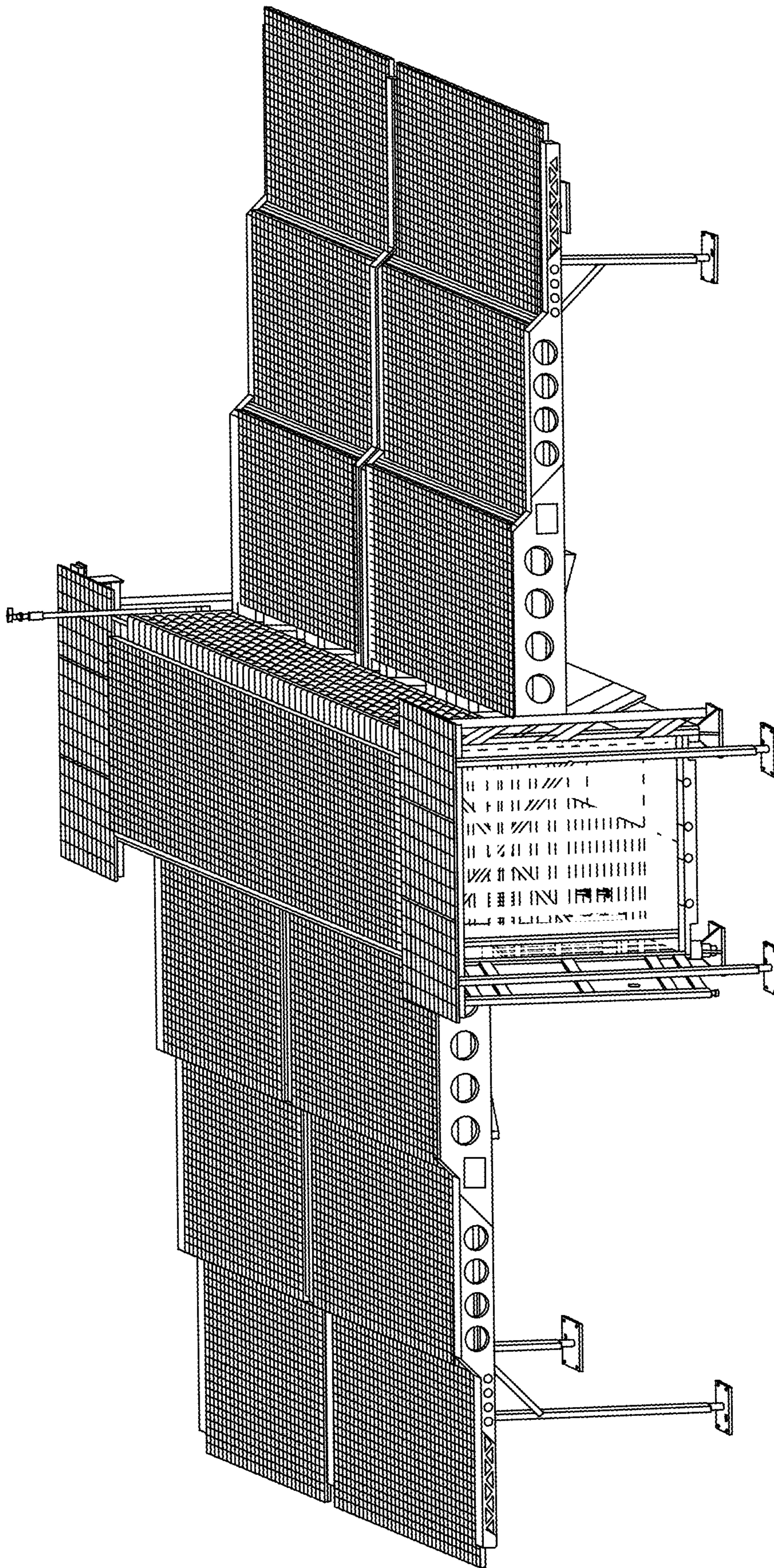


FIG. 1

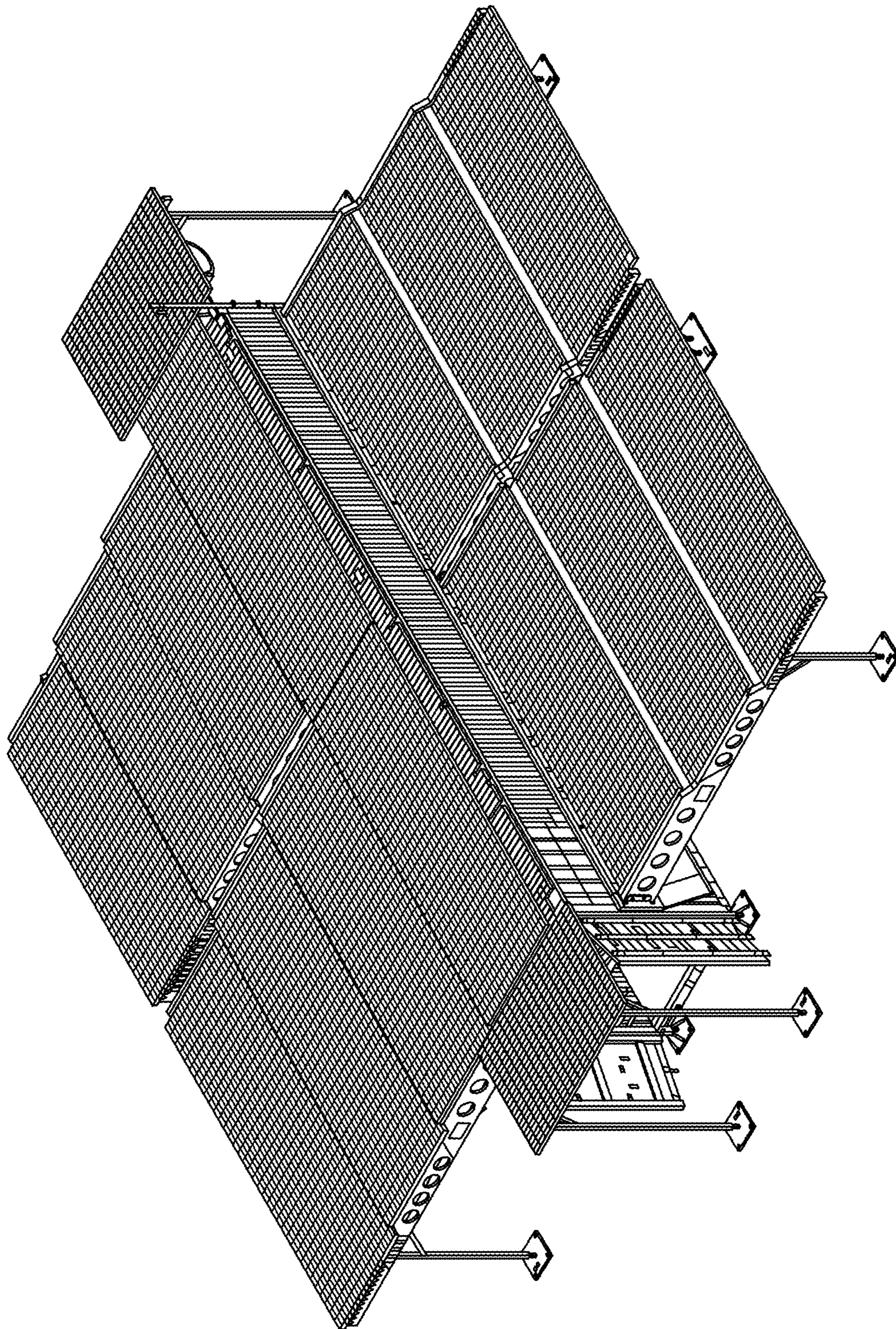


FIG. 2

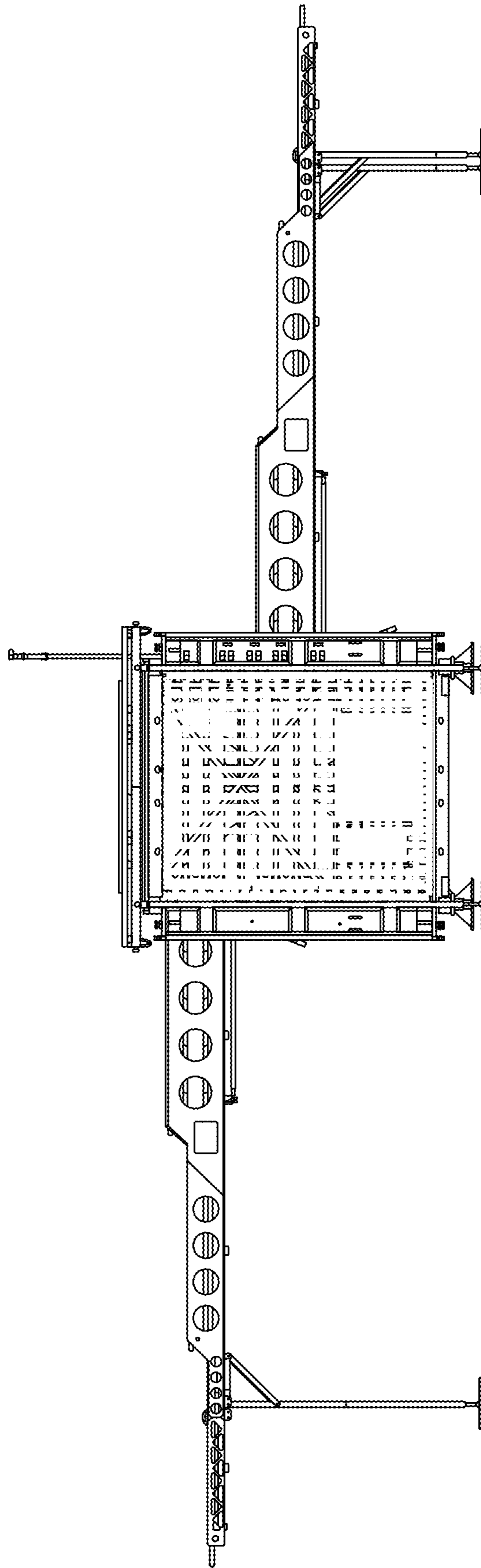


FIG. 3

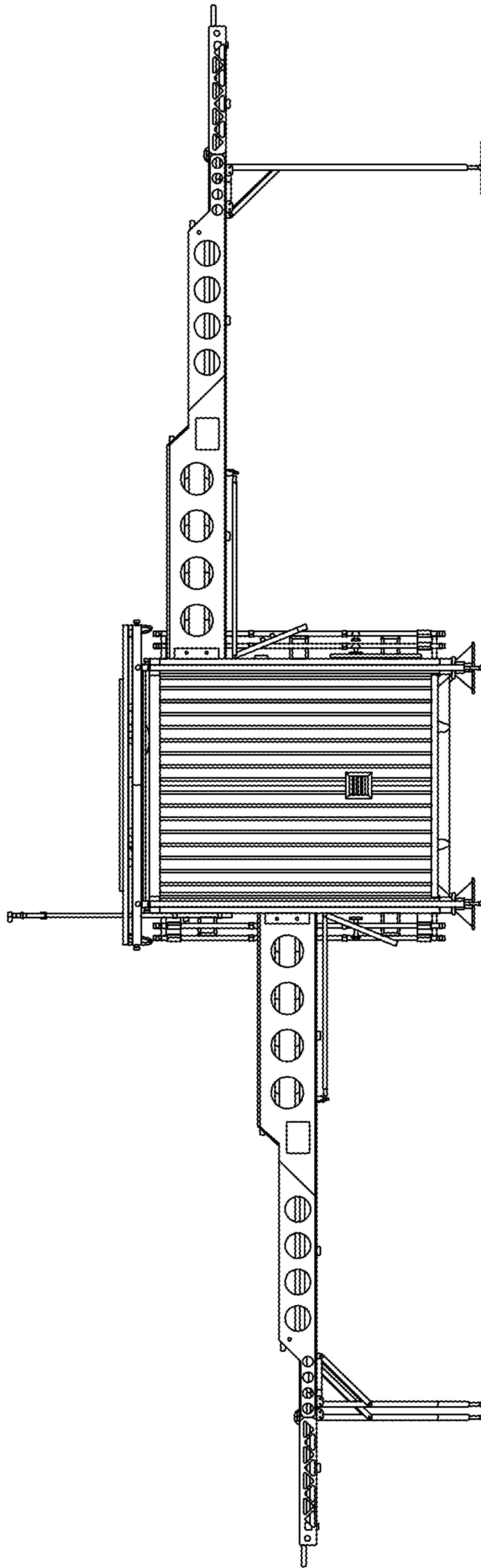


FIG. 4

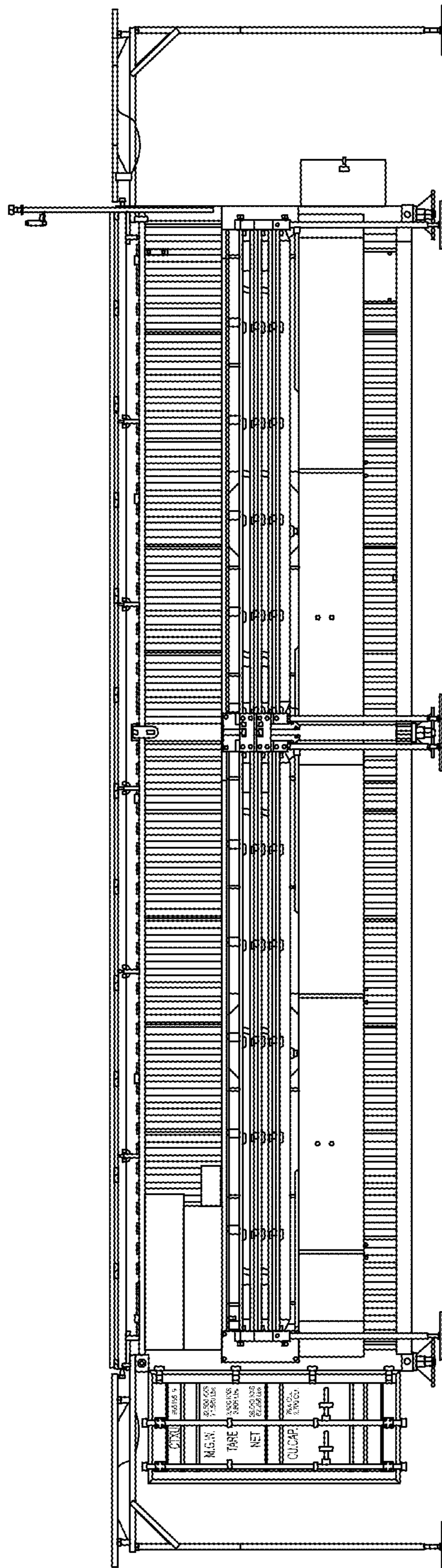


FIG. 5

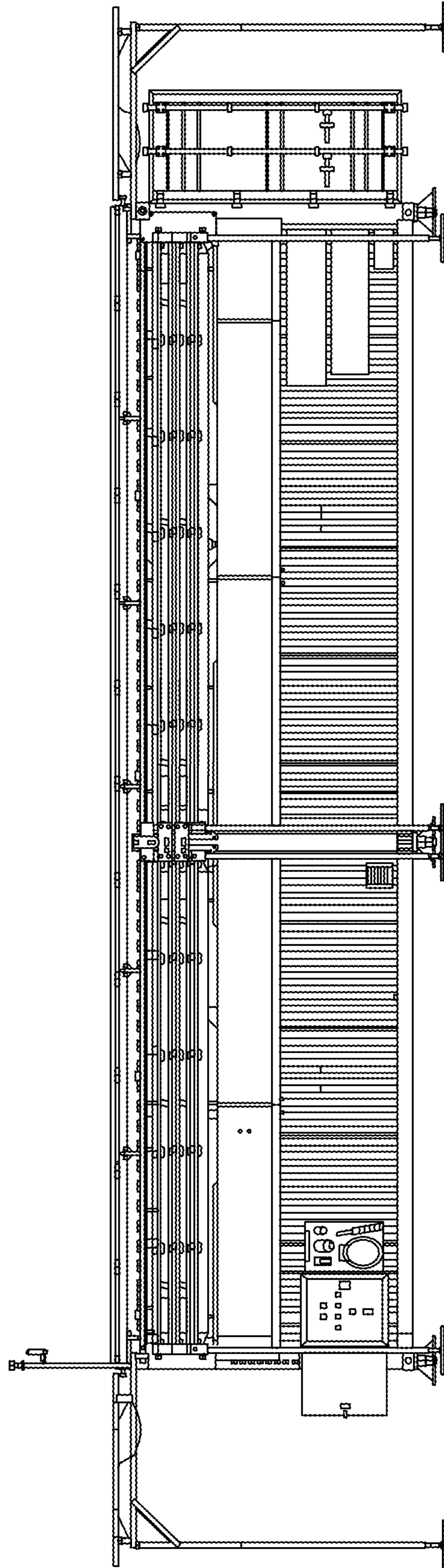


FIG. 6

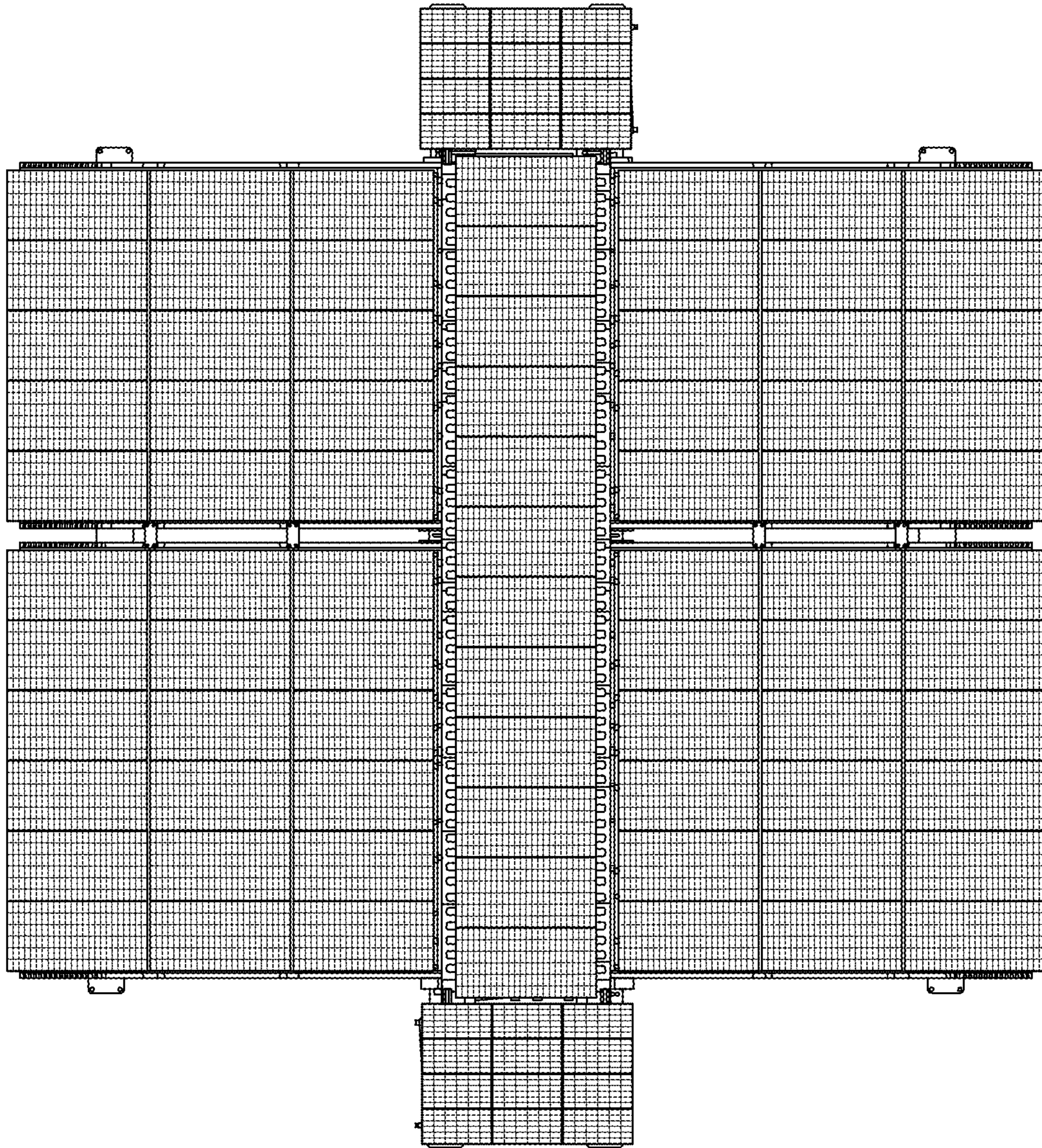


FIG. 7

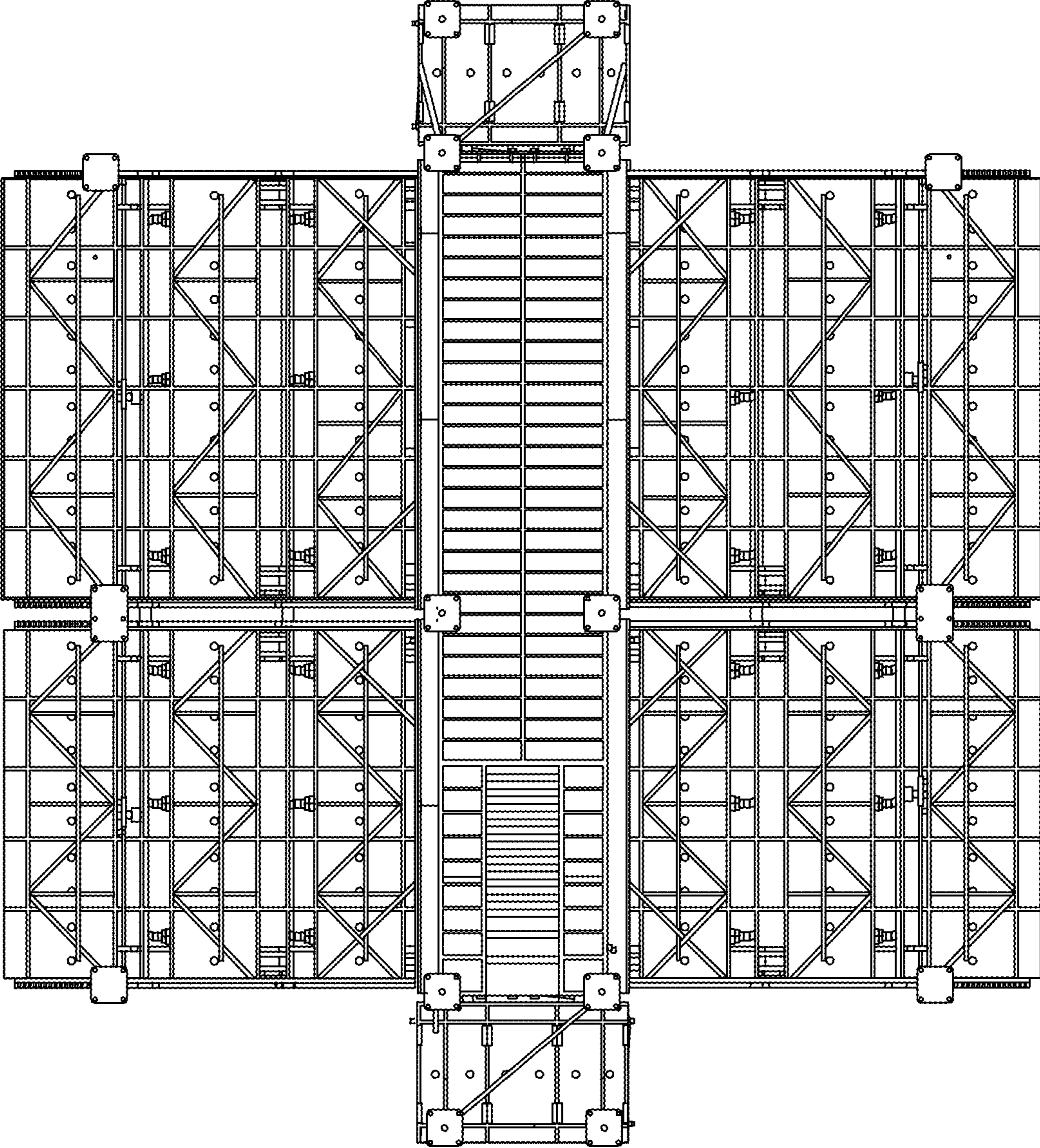


FIG. 8

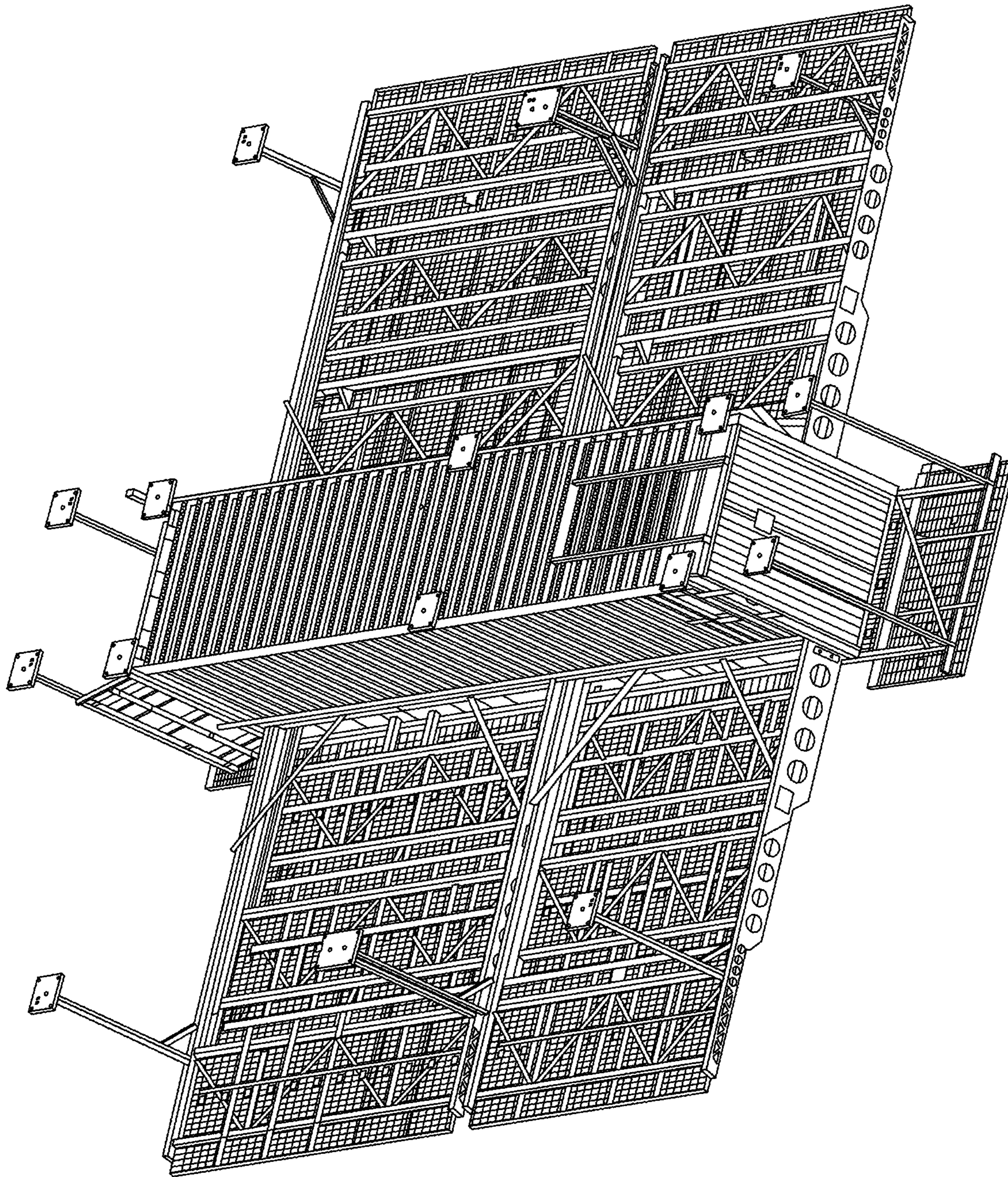


FIG. 9

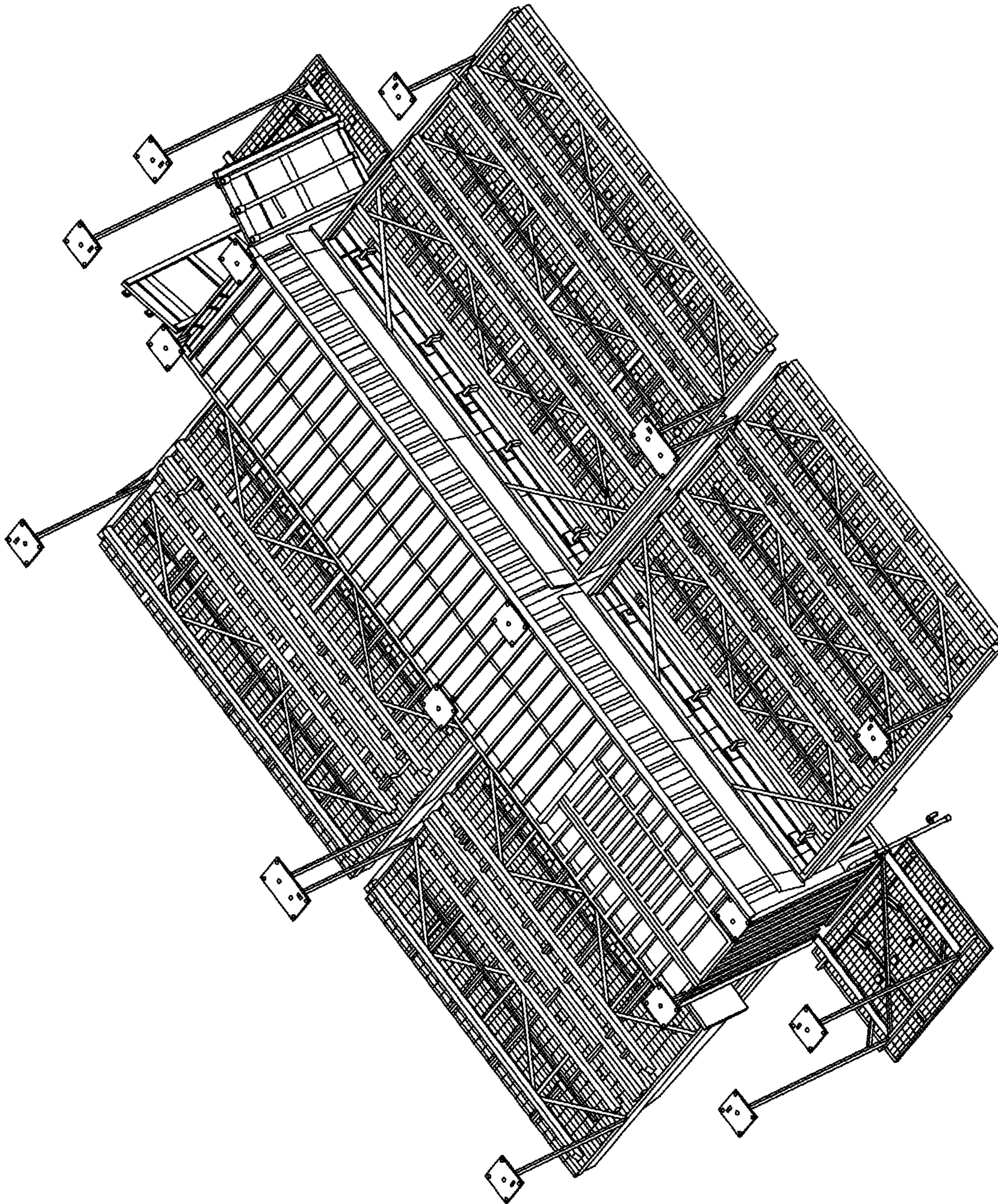


FIG. 10

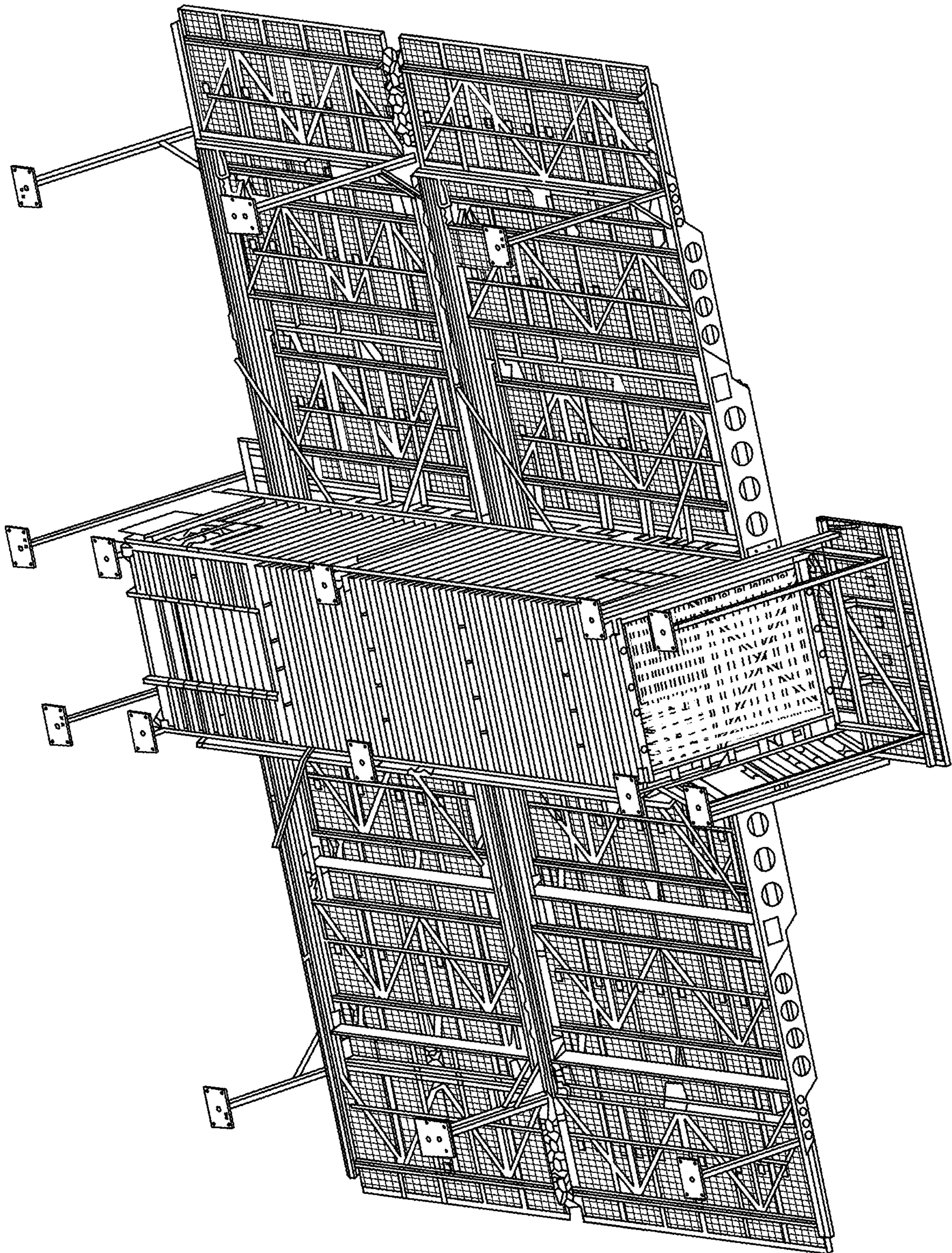


FIG. 11

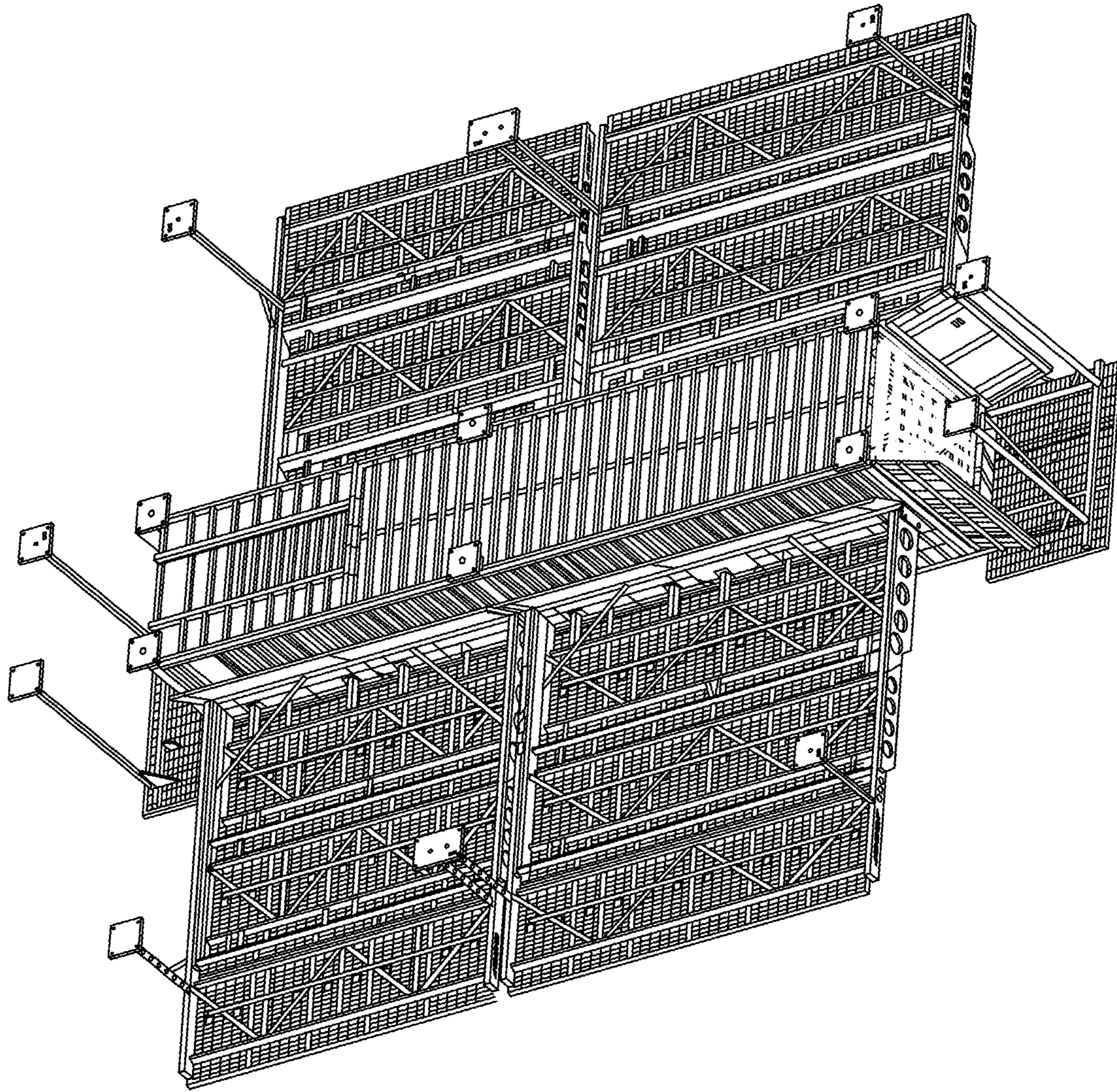


FIG. 12