



US00D976807S

(12) **United States Design Patent**  
**Jiang**

(10) **Patent No.:** **US D976,807 S**  
(45) **Date of Patent:** **\*\* Jan. 31, 2023**

- (54) **DOOR STORAGE BOX**
- (71) Applicant: **Chaodi Jiang**, Changzhou (CN)
- (72) Inventor: **Chaodi Jiang**, Changzhou (CN)
- (73) Assignee: **Chaodi Jiang**, Changzhou (CN)
- (\*\*) Term: **15 Years**
- (21) Appl. No.: **29/842,658**
- (22) Filed: **Jun. 15, 2022**
- (51) **LOC (14) Cl.** ..... **12-16**
- (52) **U.S. Cl.**  
USPC ..... **D12/422**  
CPC ..... **B60R 11/00** (2013.01)
- (58) **Field of Classification Search**  
USPC ..... D12/422, 425, 400, 406, 415–420, 424,  
D12/426  
CPC ..... B60R 11/00; B60R 7/046; B60R 13/0275;  
B60R 2011/0075; B60R 2011/0061;  
B60R 2011/0059; B60R 2011/0021;  
B60R 13/0243  
See application file for complete search history.

(56) **References Cited**

**U.S. PATENT DOCUMENTS**

- D202,983 S \* 11/1965 Allen ..... D12/422
- D313,695 S \* 1/1991 Mawhinney ..... D2/864
- D318,949 S \* 8/1991 Mawhinney ..... D12/422
- D441,341 S \* 5/2001 Hassett ..... D12/416
- D451,882 S \* 12/2001 Hassett ..... D12/416
- D467,079 S \* 12/2002 Willows ..... D3/301
- D492,187 S \* 6/2004 Mottini ..... D8/354
- D494,534 S \* 8/2004 Hassett ..... D12/416
- 6,880,874 B1 \* 4/2005 Kallenberger ..... B60R 7/046  
296/37.13
- D507,959 S \* 8/2005 Mottini ..... D8/354
- D548,156 S \* 8/2007 Elwell ..... D12/195
- D552,022 S \* 10/2007 Elwell ..... D12/195

- D556,109 S \* 11/2007 Elwell ..... D12/195
- 8,162,189 B2 \* 4/2012 Robins ..... B60N 2/6009  
297/182
- D690,938 S \* 10/2013 Willows ..... D3/303
- D691,804 S \* 10/2013 Wang ..... D3/294
- D692,665 S \* 11/2013 Willows ..... D3/303
- D741,248 S \* 10/2015 Boss ..... D12/422
- D771,547 S \* 11/2016 Sandys ..... D12/422
- D867,970 S \* 11/2019 Yang ..... D12/423
- D875,027 S \* 2/2020 Ma et al.
- D875,029 S \* 2/2020 Ma ..... D12/422
- D899,333 S \* 10/2020 Shedlarski ..... D12/195
- D915,771 S \* 4/2021 Xin ..... D3/304
- D916,637 S \* 4/2021 Tian ..... D12/195
- D957,310 S \* 7/2022 Lin ..... D12/425
- D959,356 S \* 8/2022 Chen ..... D12/425
- D960,074 S \* 8/2022 Pan ..... D12/422
- D963,549 S \* 9/2022 Li ..... D12/425
- D964,257 S \* 9/2022 Chen ..... D12/422
- D967,749 S \* 10/2022 Tian ..... D12/422
- 2002/0185888 A1 \* 12/2002 Jonardi ..... B60R 11/00  
224/543
- 2005/0218170 A1 \* 10/2005 Allmond ..... B60R 7/046  
224/543

(Continued)

*Primary Examiner* — Richard E Chilcot

(74) *Attorney, Agent, or Firm* — Nitin Kaushik

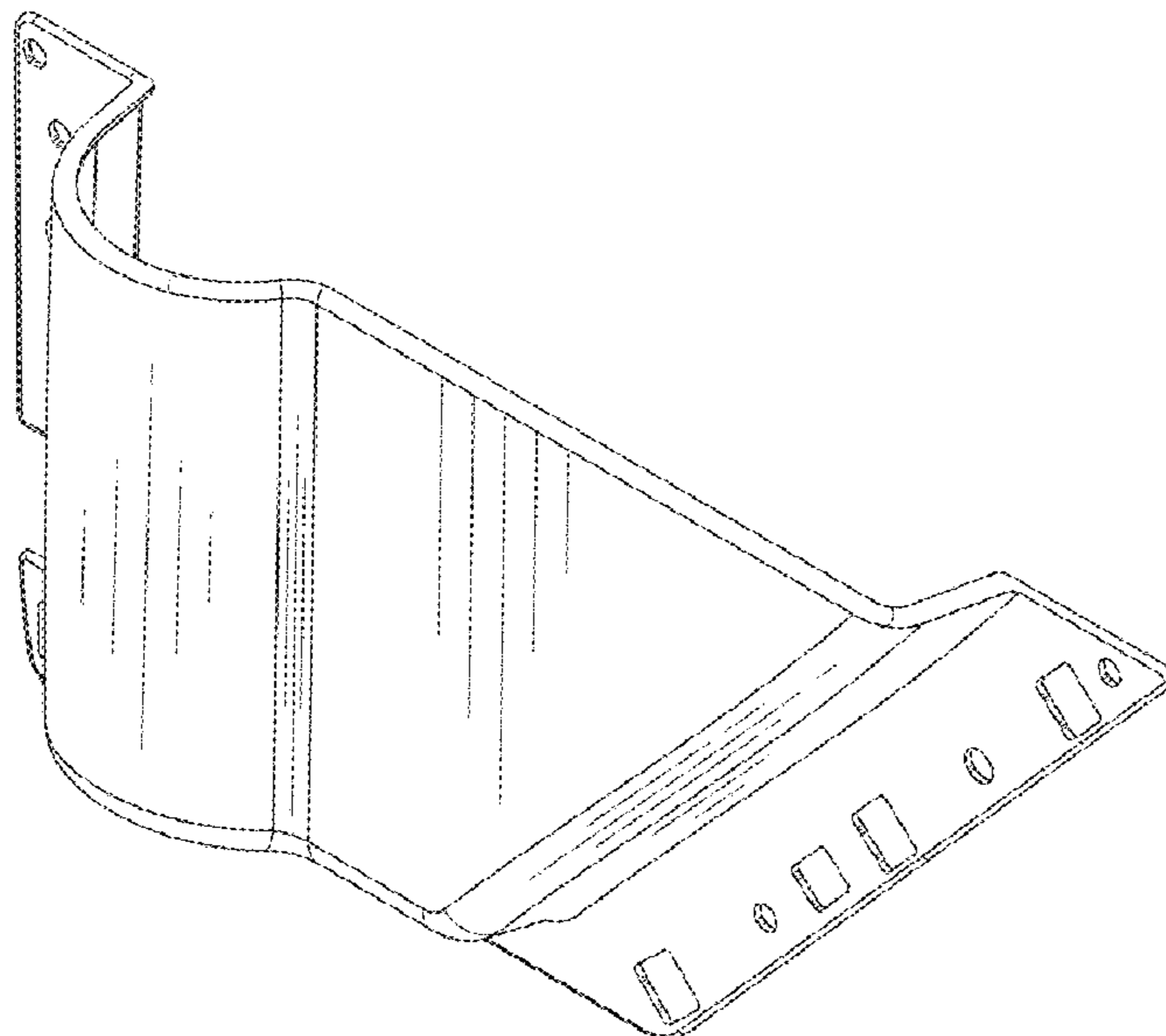
(57) **CLAIM**

The ornamental design for a door storage box, as shown and described.

**DESCRIPTION**

FIG. 1 is a front perspective view of a door storage box, showing my new design;  
FIG. 2 is a front view thereof;  
FIG. 3 is a rear view thereof;  
FIG. 4 is a left side view thereof;  
FIG. 5 is a right side view thereof;  
FIG. 6 is a top view thereof; and,  
FIG. 7 is a bottom view thereof.

**1 Claim, 7 Drawing Sheets**



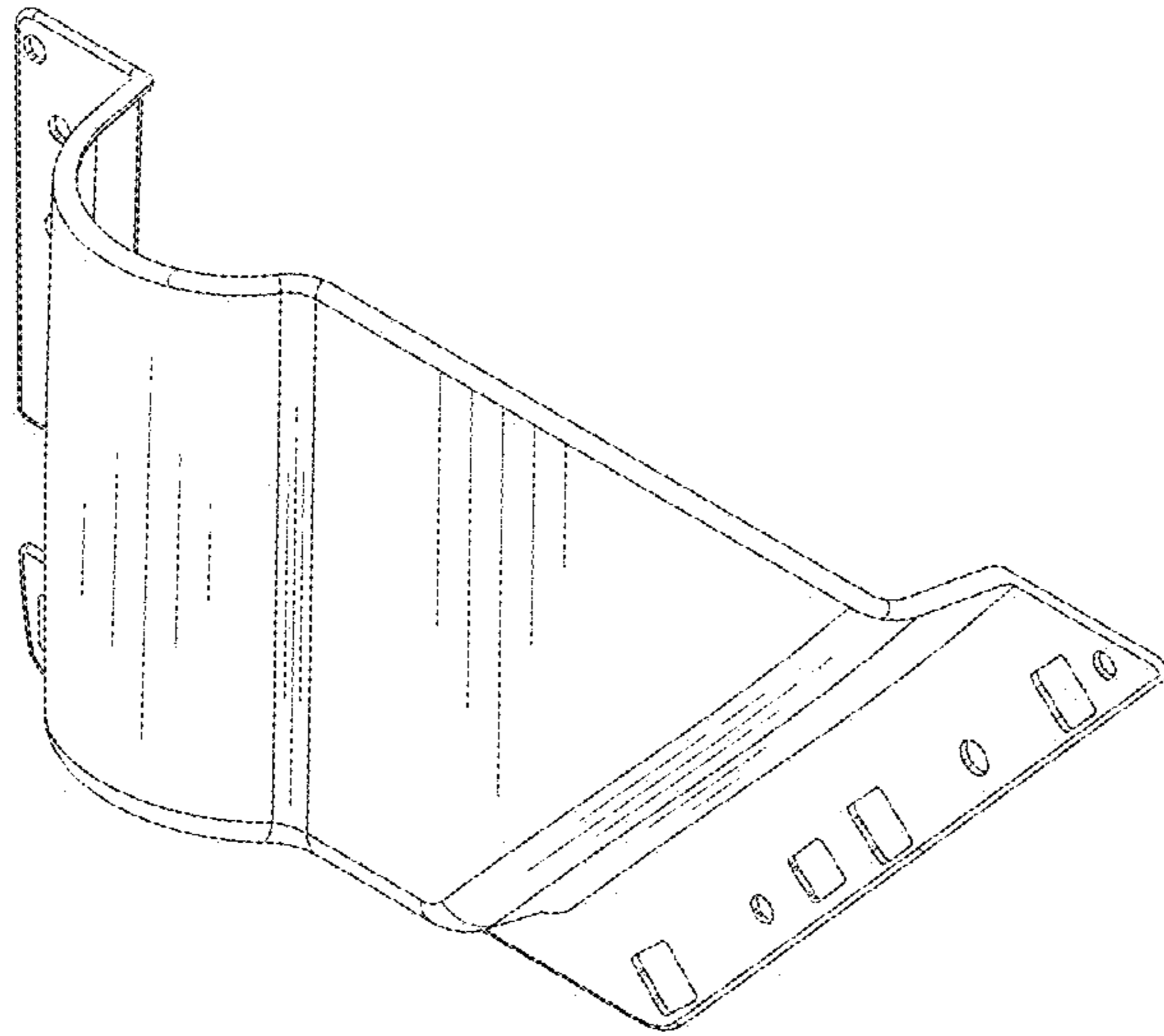
(56)

**References Cited**

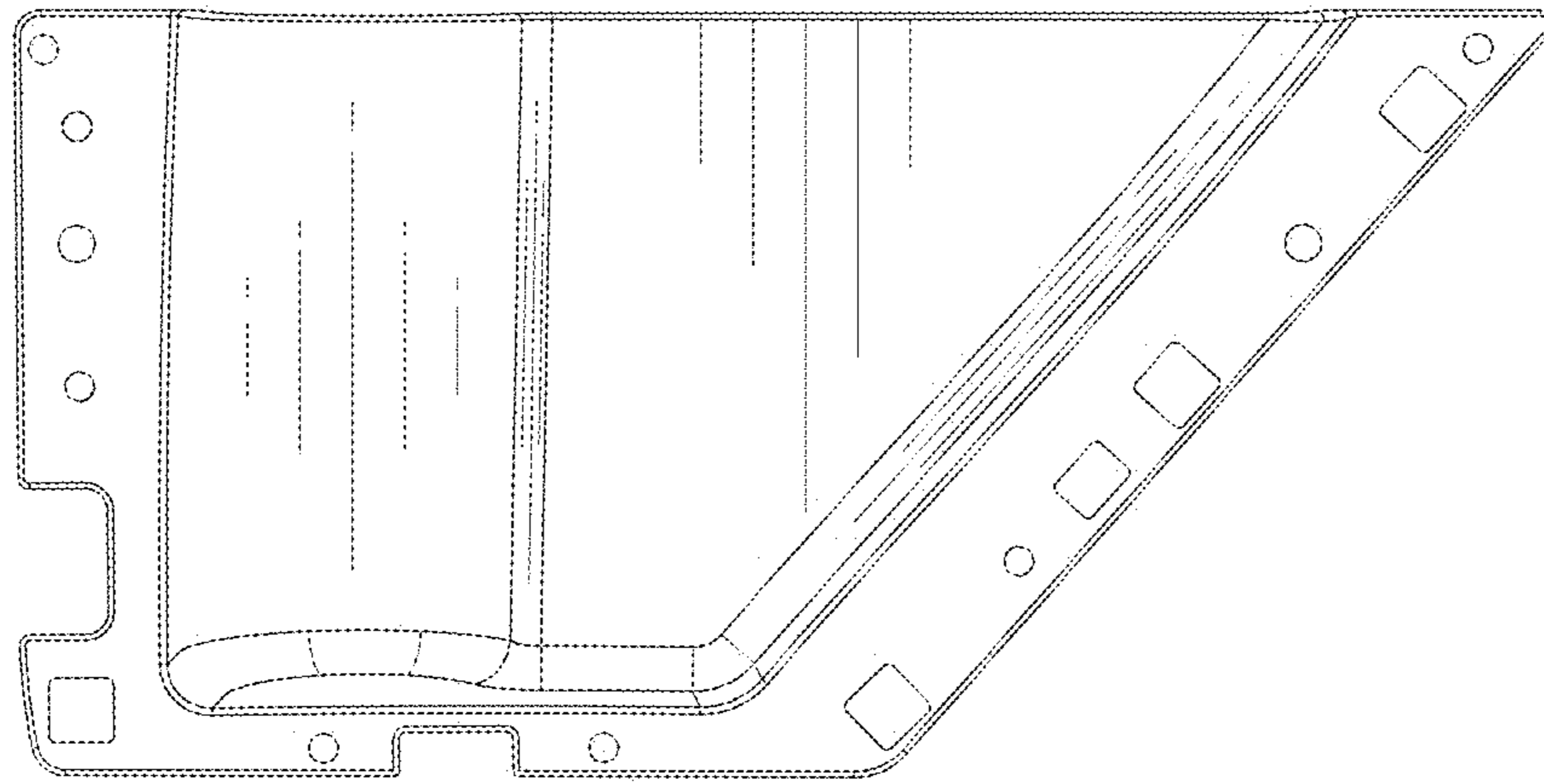
U.S. PATENT DOCUMENTS

2005/0284907 A1\* 12/2005 Kaiser ..... B60R 11/00  
224/543  
2006/0012205 A1\* 1/2006 Radu ..... B60R 7/046  
296/37.13  
2006/0062006 A1\* 3/2006 Radu ..... B60R 7/046  
362/154  
2018/0154744 A1\* 6/2018 Hashiguchi ..... B60R 7/046  
2021/0323481 A1\* 10/2021 Bhakta ..... B60R 7/04

\* cited by examiner



**FIG. 1**



**FIG. 2**

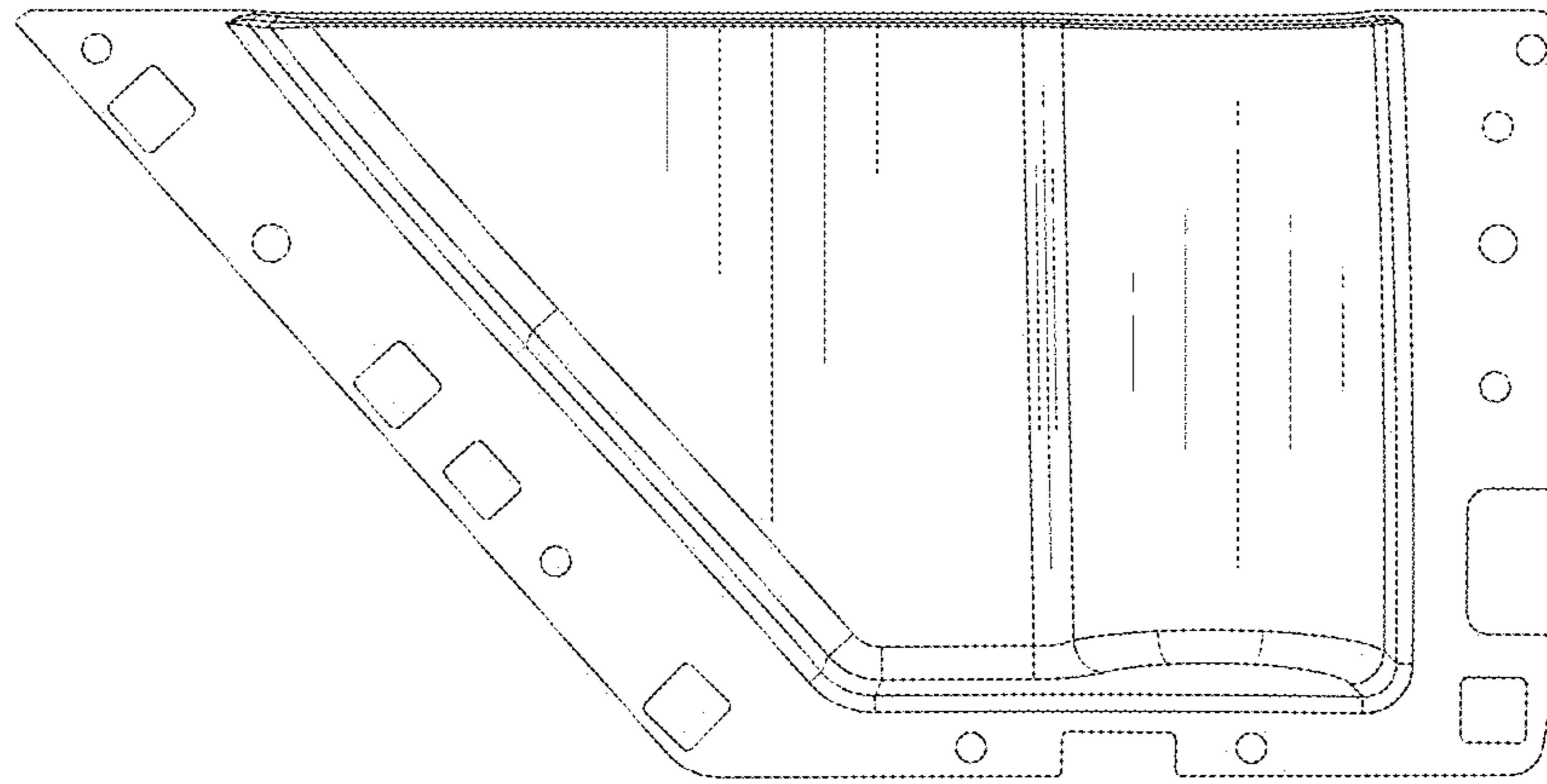
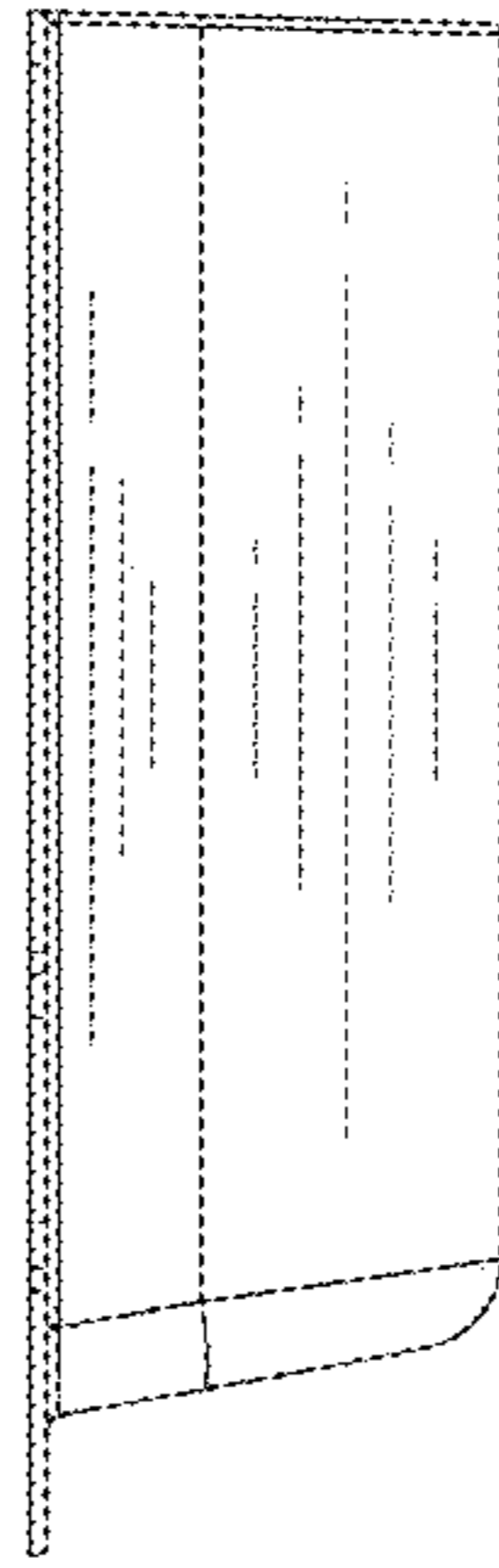
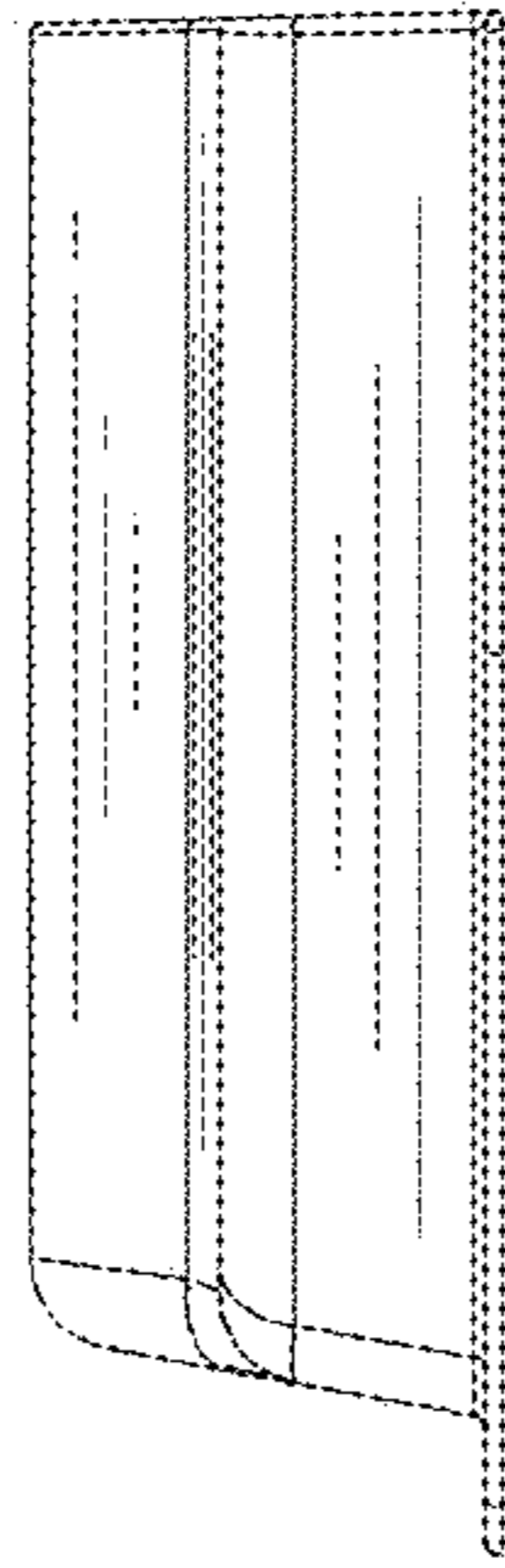


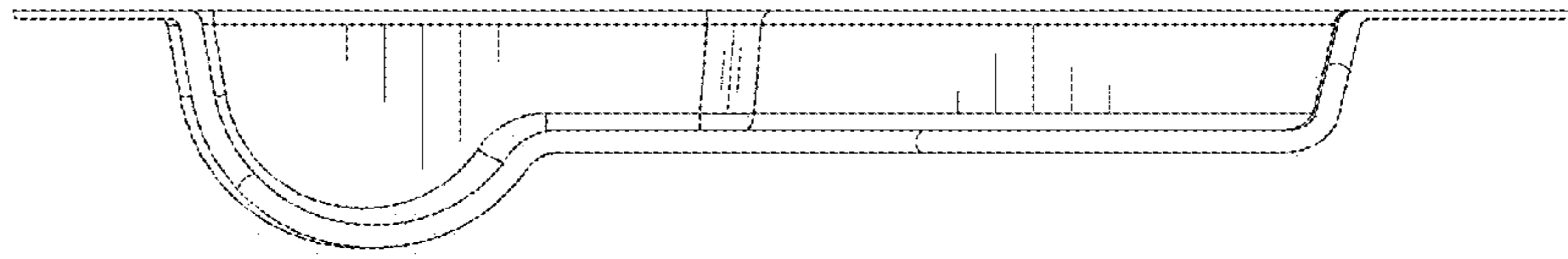
FIG. 3



**FIG. 4**

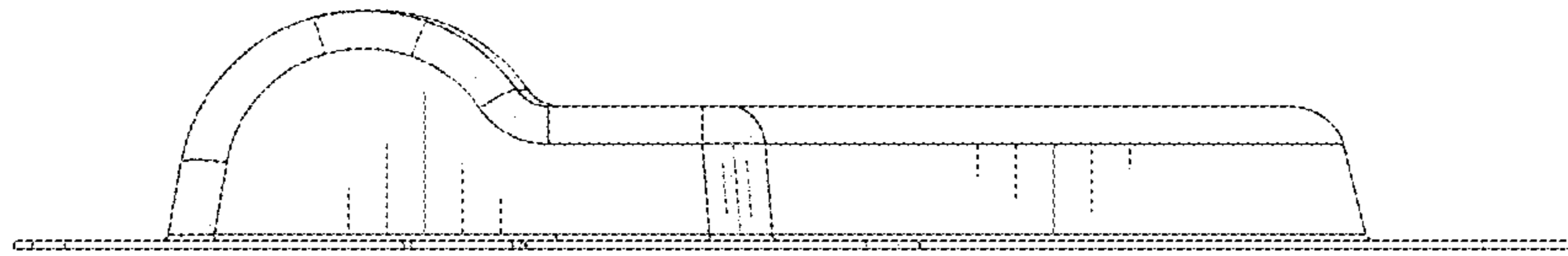


**FIG. 5**



**FIG. 6**





**FIG. 7**