



US00D976805S

(12) **United States Design Patent**
Turner et al.

(10) **Patent No.:** **US D976,805 S**

(45) **Date of Patent:** **** Jan. 31, 2023**

(54) **TOWER FOR VEHICLE RACK**
(71) Applicant: **Yakima Products, Inc.**, Lake Oswego,
OR (US)
(72) Inventors: **Kirk William Turner**, Tigard, OR
(US); **Jason Attfield Sagen**, Portland,
OR (US); **Ashley Hoch**, Portland, OR
(US)

(73) Assignee: **Yakima Products, Inc.**, Lake Oswego,
OR (US)

(**) Term: **15 Years**

(21) Appl. No.: **29/799,641**

(22) Filed: **Jul. 15, 2021**

(51) **LOC (14) Cl.** **12-16**

(52) **U.S. Cl.**
USPC **D12/412**

(58) **Field of Classification Search**
USPC D12/406-414; D3/35; D6/317-319,
D6/513-514; D32/58
CPC B62J 9/003; B62J 7/06; B62J 9/001
See application file for complete search history.

(56) **References Cited**

U.S. PATENT DOCUMENTS

D709,818 S * 7/2014 Zhang D12/412
D792,833 S * 7/2017 Chan D12/412
10,384,587 B2 * 8/2019 Flaherty B60P 3/1008

D879,012 S * 3/2020 Guo D12/412
D895,529 S * 9/2020 Chang D12/412
D895,530 S * 9/2020 Lathrop D12/412
D906,225 S * 12/2020 Eriksson D12/412
D908,072 S * 1/2021 Connellan D12/412
D919,550 S * 5/2021 Teng D12/412
D921,567 S * 6/2021 Pearce D12/412
D921,568 S * 6/2021 Xia D12/412
D929,930 S * 9/2021 Park D12/406
D940,631 S * 1/2022 Gangappa D12/412

* cited by examiner

Primary Examiner — Katrina A Betton

(74) *Attorney, Agent, or Firm* — Kolisch Hartwell, P.C.

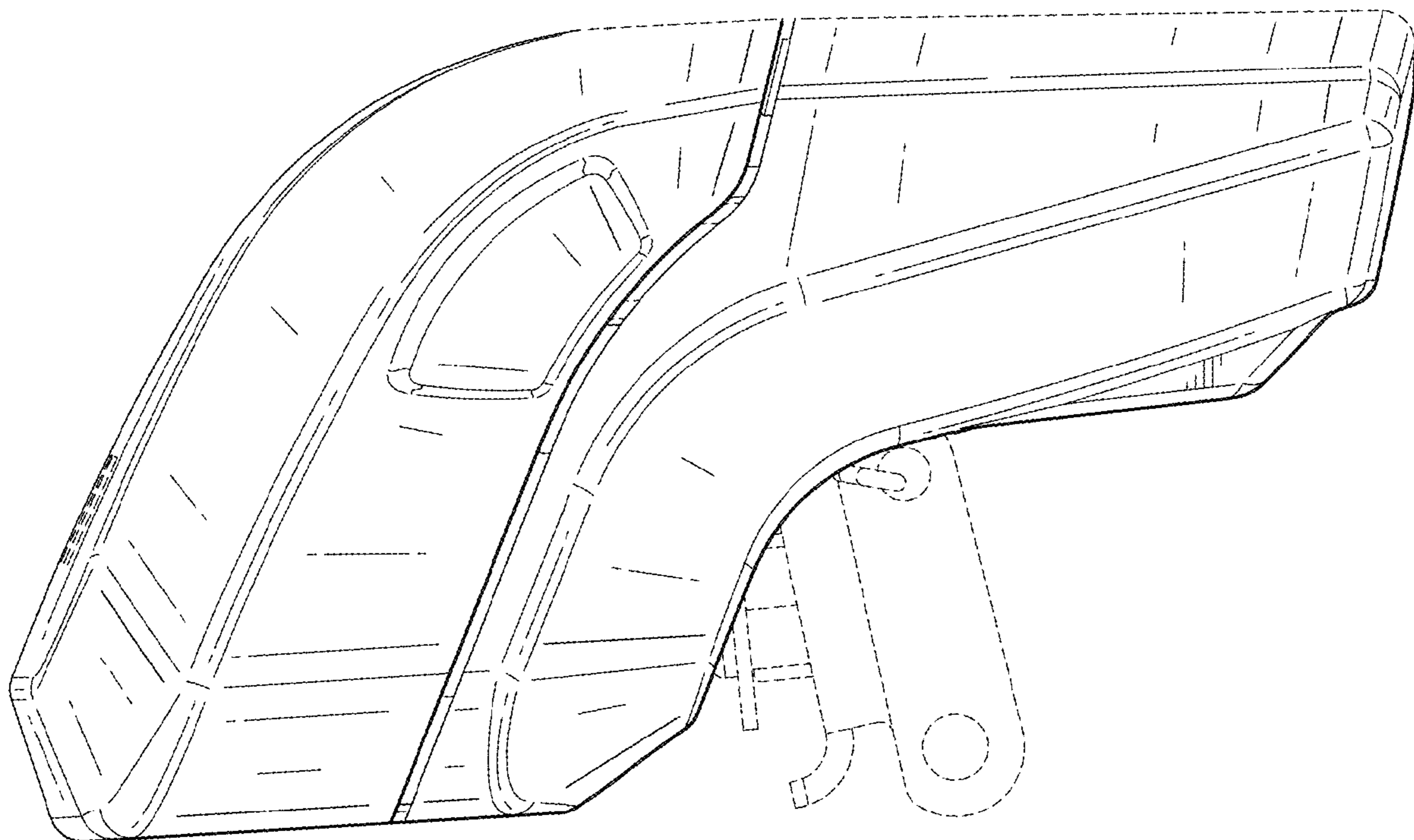
(57) **CLAIM**

The ornamental design for a tower for vehicle rack, as shown and described.

DESCRIPTION

FIG. 1 is a rear, top, and right side perspective view of a tower for vehicle rack showing the new design;
FIG. 2 is a front, bottom, and left side perspective view thereof;
FIG. 3 is a left elevation view thereof;
FIG. 4 is a right elevation view thereof;
FIG. 5 is a front elevation view thereof;
FIG. 6 is a rear elevation view thereof;
FIG. 7 is a top plan view thereof; and,
FIG. 8 is a bottom plan view thereof.
The dashed lines and structure they depict form no part of the claimed design.

1 Claim, 8 Drawing Sheets



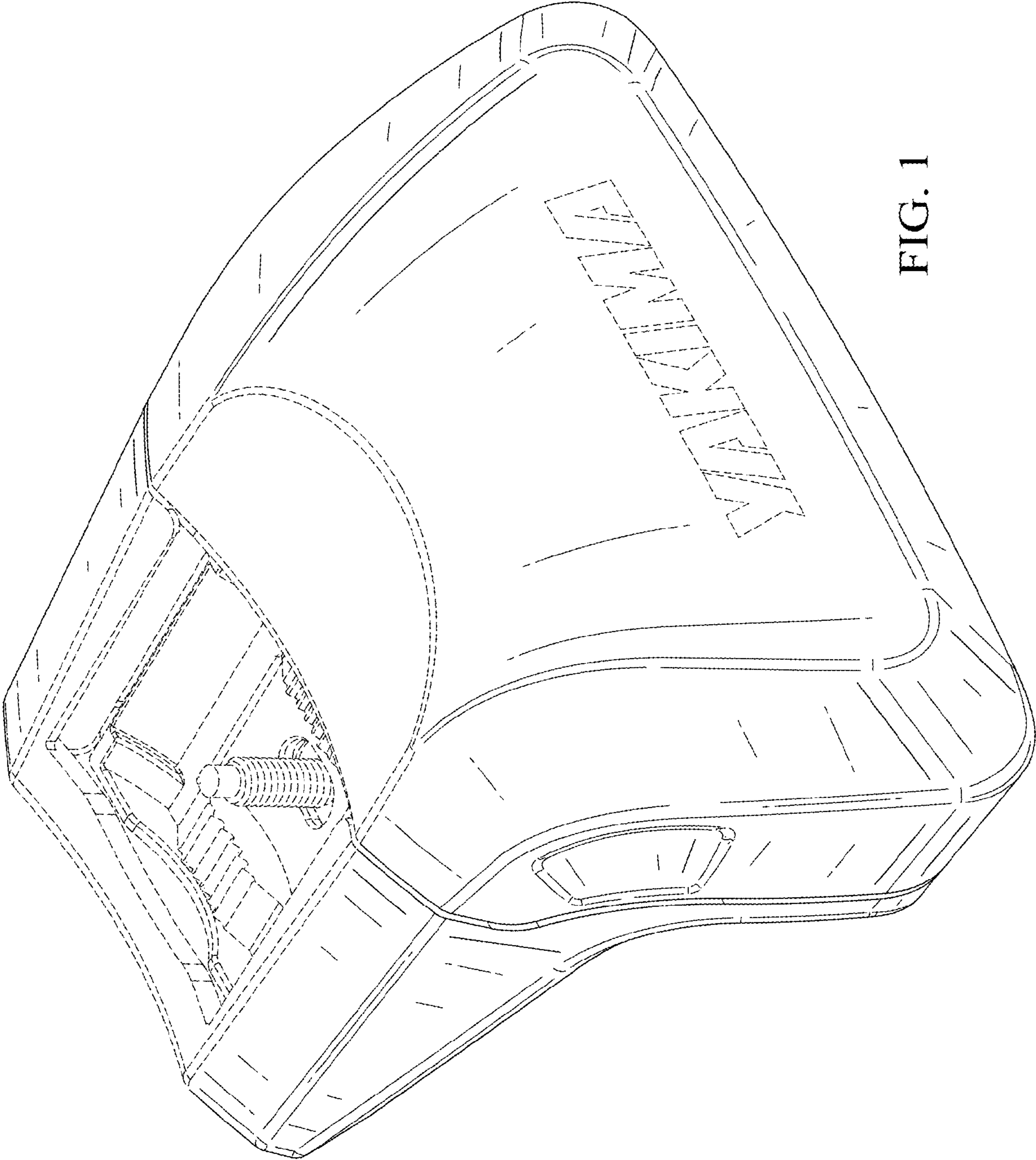


FIG. 1

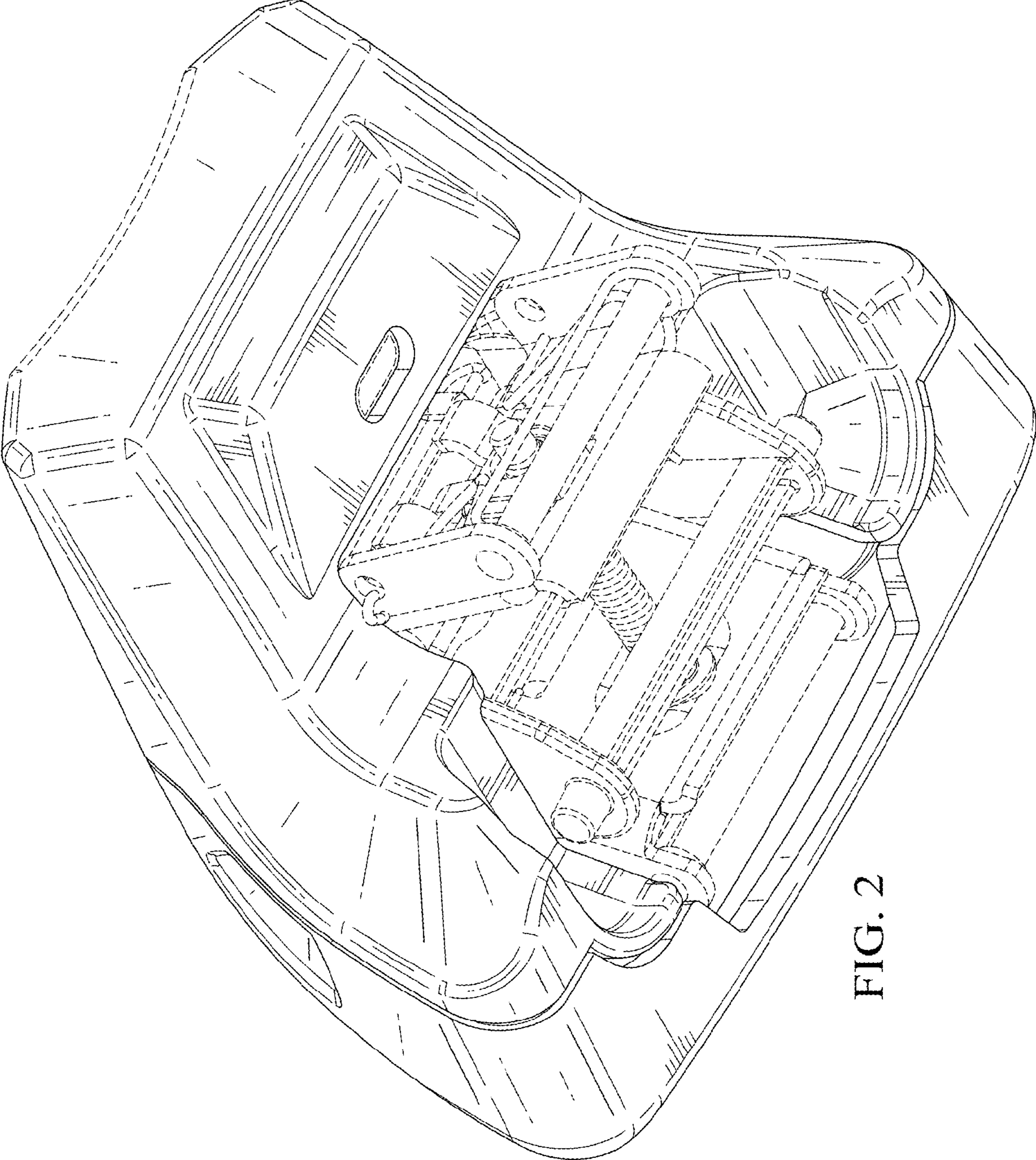


FIG. 2

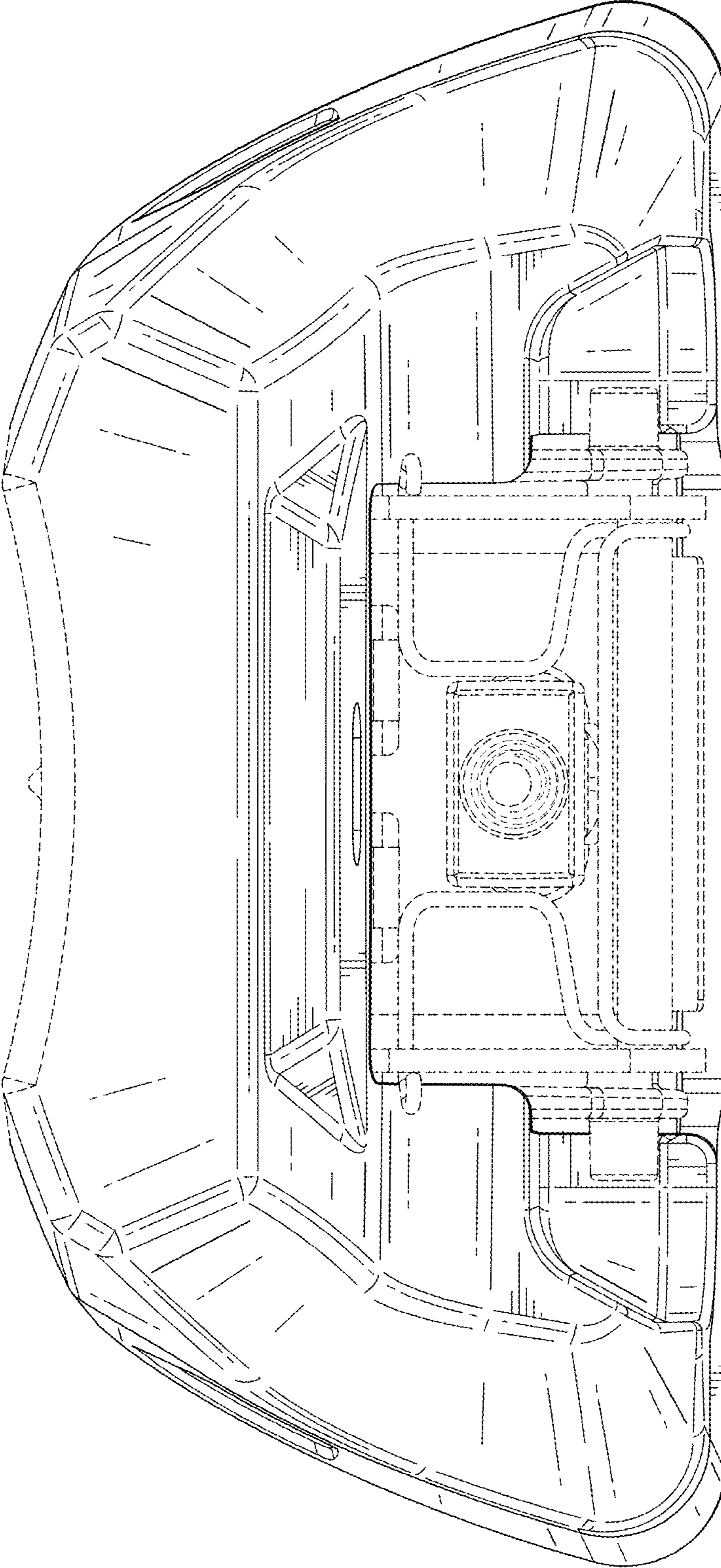


FIG. 3

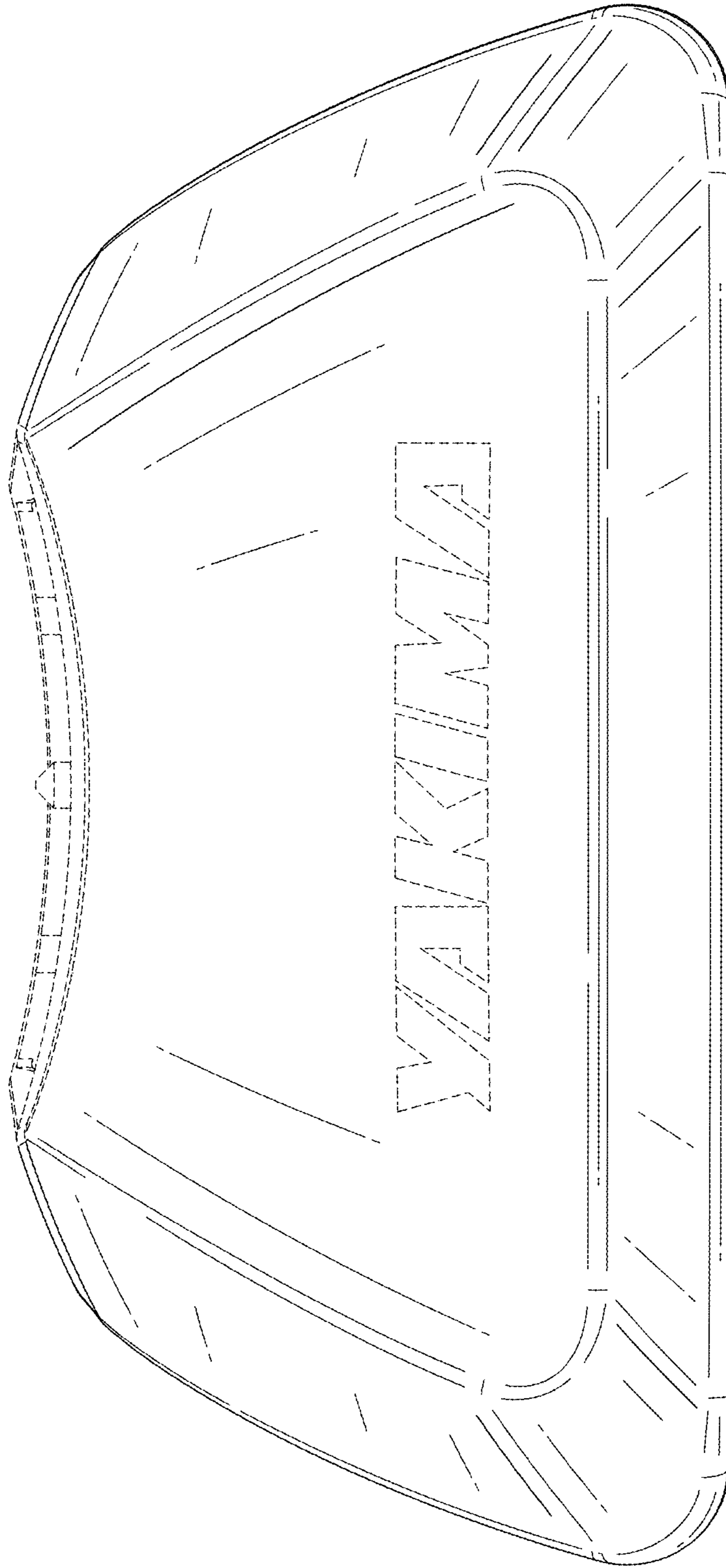


FIG. 4

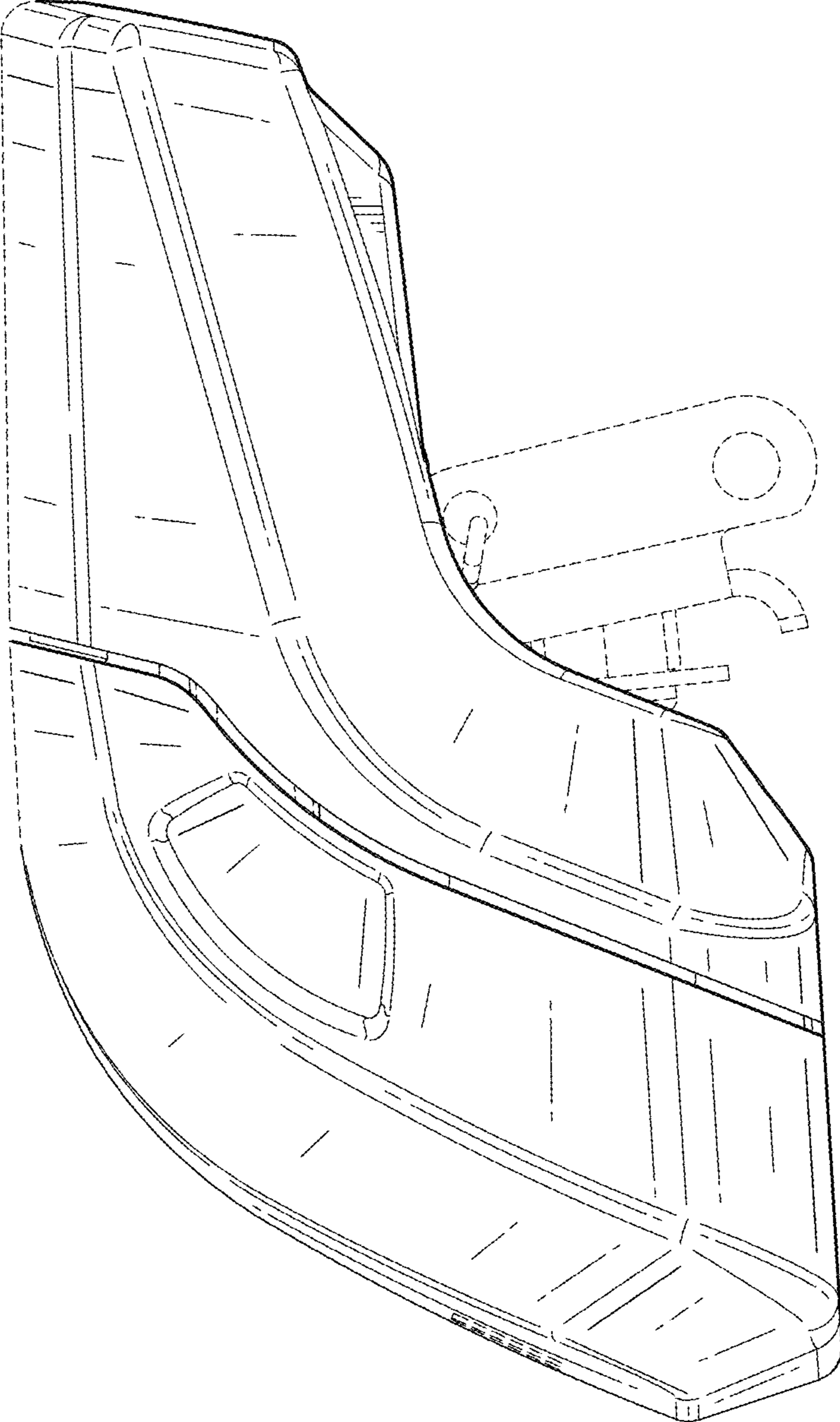


FIG. 5

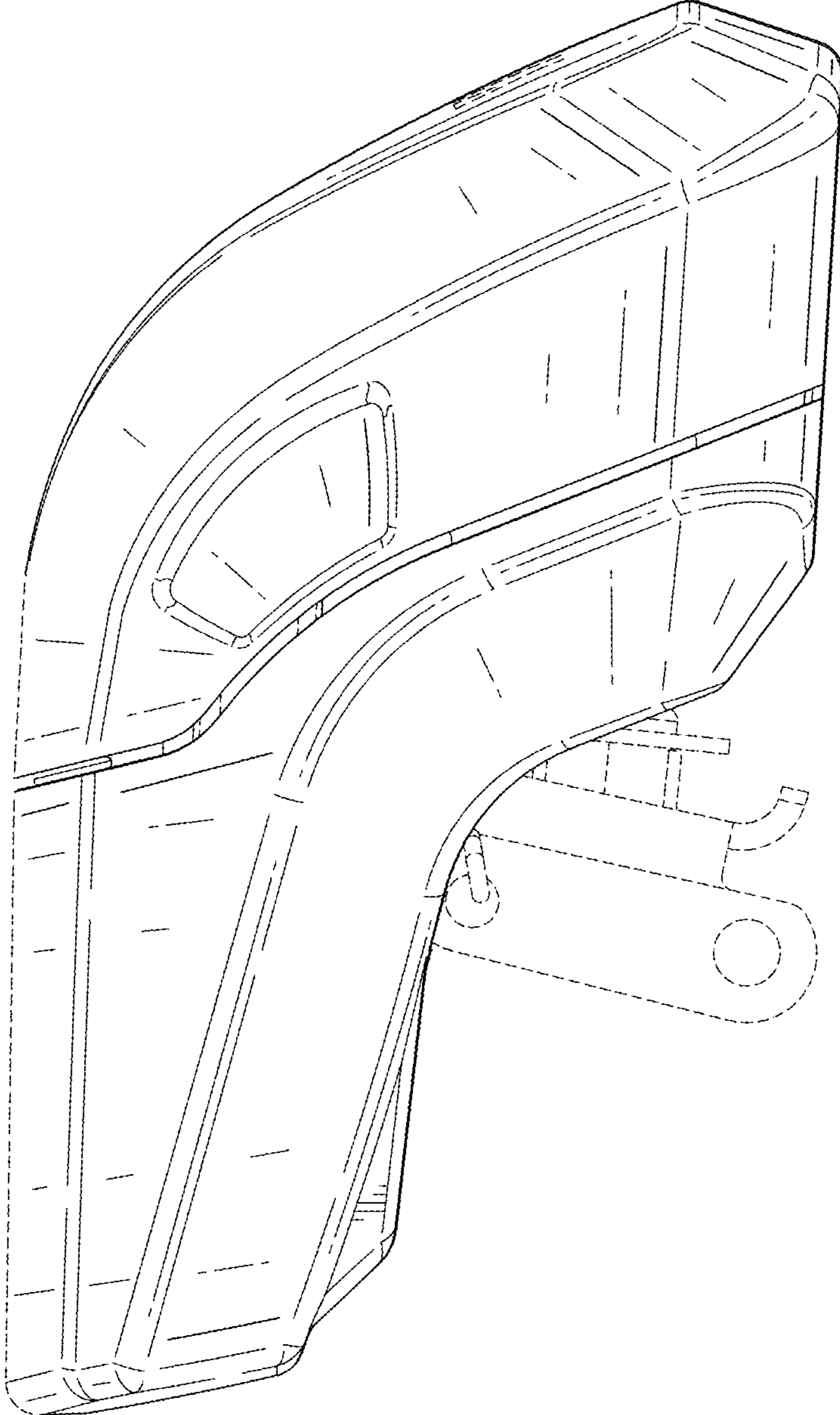


FIG. 6

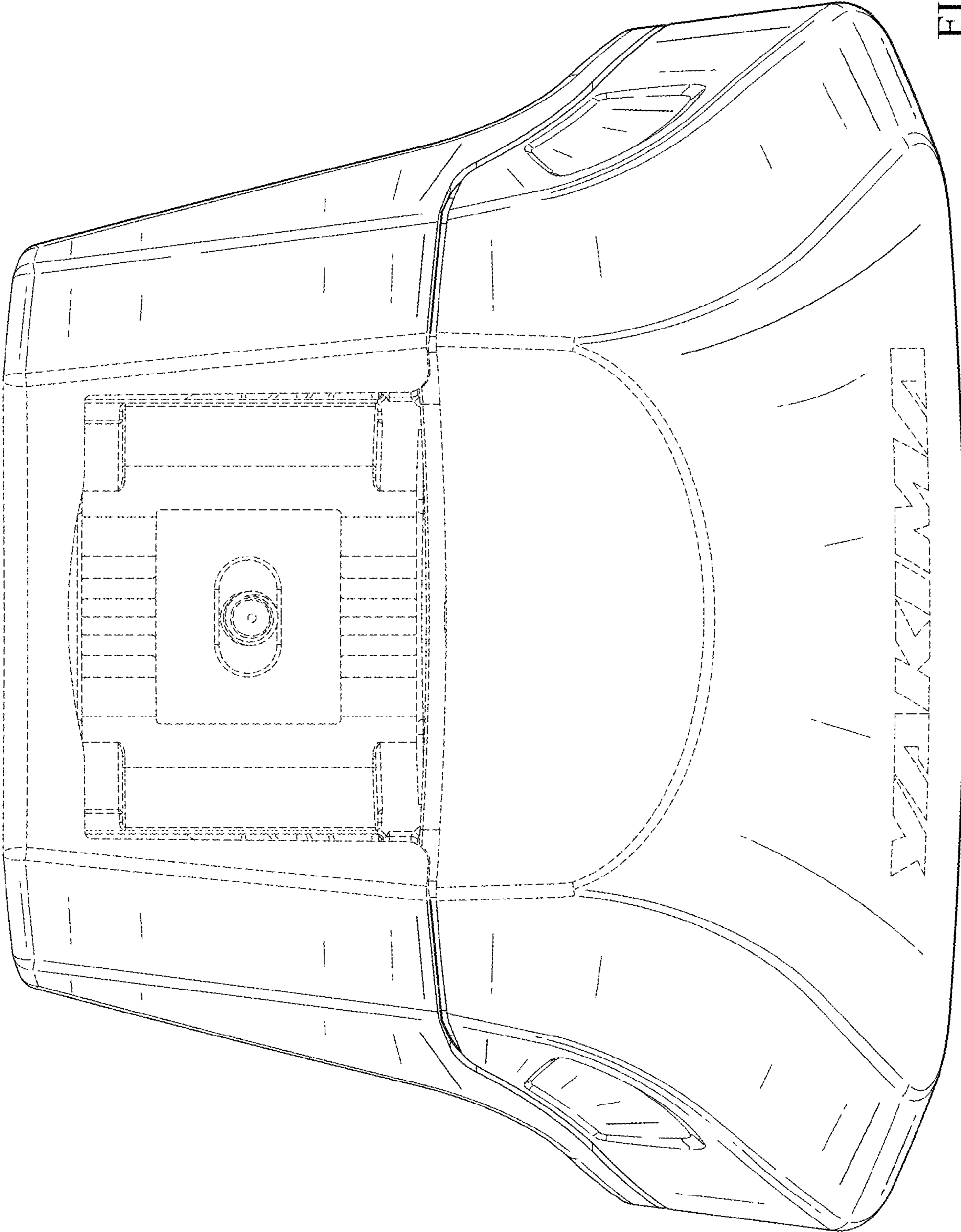


FIG. 7

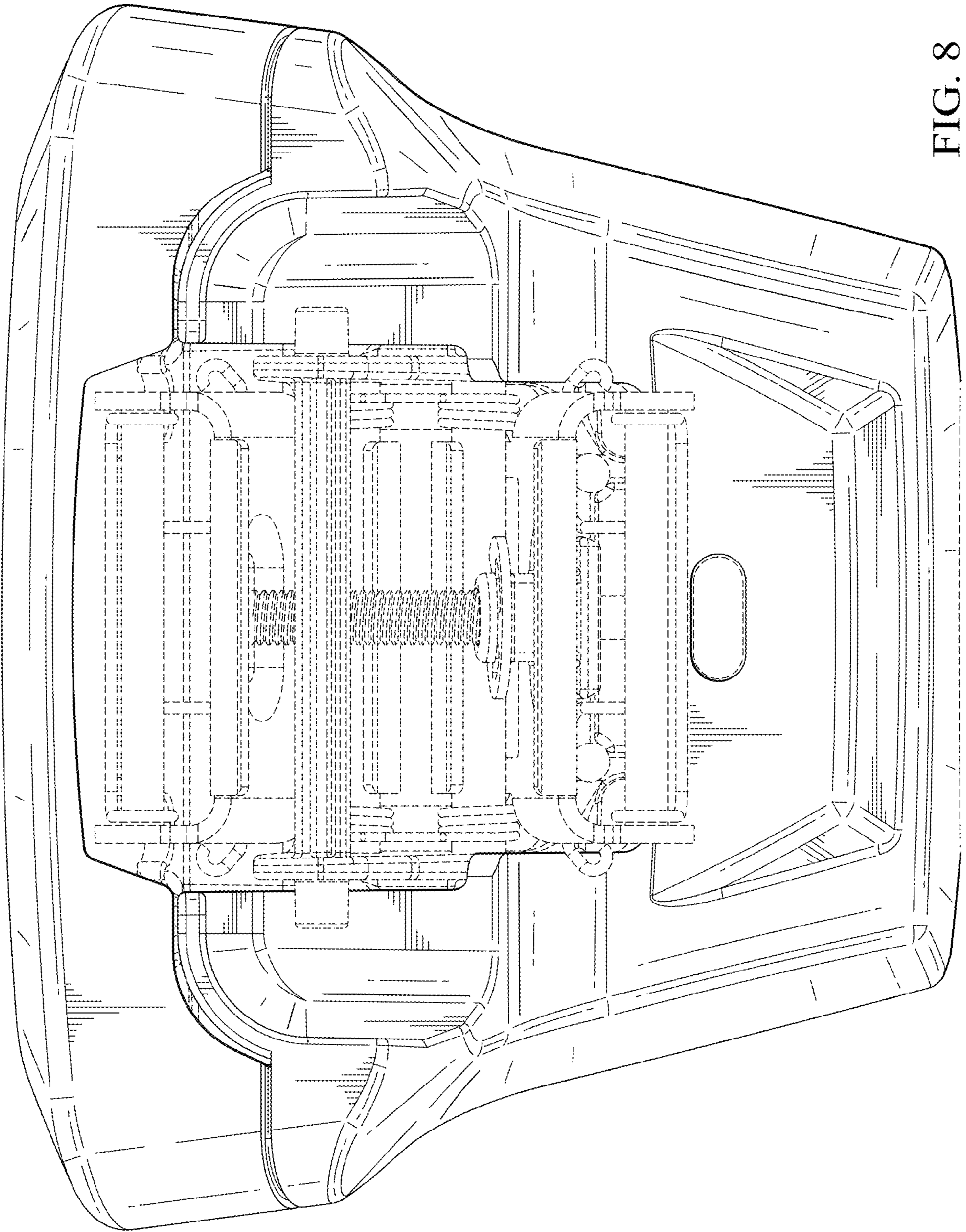


FIG. 8