



US00D976803S

(12) **United States Design Patent** (10) **Patent No.:** **US D976,803 S**
Goodman et al. (45) **Date of Patent:** **** Jan. 31, 2023**

(54) **BASKET FRAME**

(71) Applicant: **RADIO FLYER INC.**, Chicago, IL (US)
(72) Inventors: **Anne Goodman**, Chicago, IL (US); **Igor Zemskov**, Chicago, IL (US)
(73) Assignee: **Radio Flyer Inc.**, Chicago, IL (US)
(**) Term: **15 Years**
(21) Appl. No.: **29/786,606**
(22) Filed: **Jun. 1, 2021**
(51) **LOC (14) Cl.** **12-11**
(52) **U.S. Cl.**
USPC **D12/407; D3/306**
(58) **Field of Classification Search**
USPC D3/304, 306-312, 314, 315; D6/512, D6/525, 672, 675; D19/75-77, 86, 92, D19/95; D12/407, 411-416, 419-420; D30/114, 118, 144
CPC .. B65D 5/46072; B65D 81/3813; B65D 1/00; B65D 1/22; B65D 1/34; B65D 1/36; B65D 1/38; B65D 7/14; A45F 2200/05; B60R 9/06; B60R 9/10
See application file for complete search history.

(56) **References Cited**

U.S. PATENT DOCUMENTS

2,010,479 A * 8/1935 Dennis B62J 9/21 224/463
2,805,806 A * 9/1957 Clarences B62J 9/21 224/434

(Continued)

FOREIGN PATENT DOCUMENTS

CA 24840 * 6/1962
CA 108582 * 5/2006
IN 310215-0001 * 6/2019

OTHER PUBLICATIONS

Electric Bike Front Basket, posted at radioflyer.com, first available 2022, retrieved on Sep. 20, 2022, online, <https://flyer.radioflyer.com/front-storage-basket.html> (Year: 2022).*

(Continued)

Primary Examiner — Mary Shannon Malley

Assistant Examiner — Dustin Andrew Griffith

(74) *Attorney, Agent, or Firm* — Barnes & Thornburg LLP

(57) **CLAIM**

We claim the ornamental design for a basket frame, as shown and described.

DESCRIPTION

FIG. 1 is a top rear perspective view of the basket frame according to the new design.

FIG. 2 is a bottom rear perspective view of the basket frame shown in FIG. 1.

FIG. 3 is a top front perspective view of the basket frame shown in FIG. 1.

FIG. 4 is a bottom front perspective view of the basket frame shown in FIG. 1.

FIG. 5 is a rear elevation view of the basket frame shown in FIG. 1.

FIG. 6 is a front elevation view of the basket frame shown in FIG. 1.

FIG. 7 is a right side elevation view of the basket frame shown in FIG. 1.

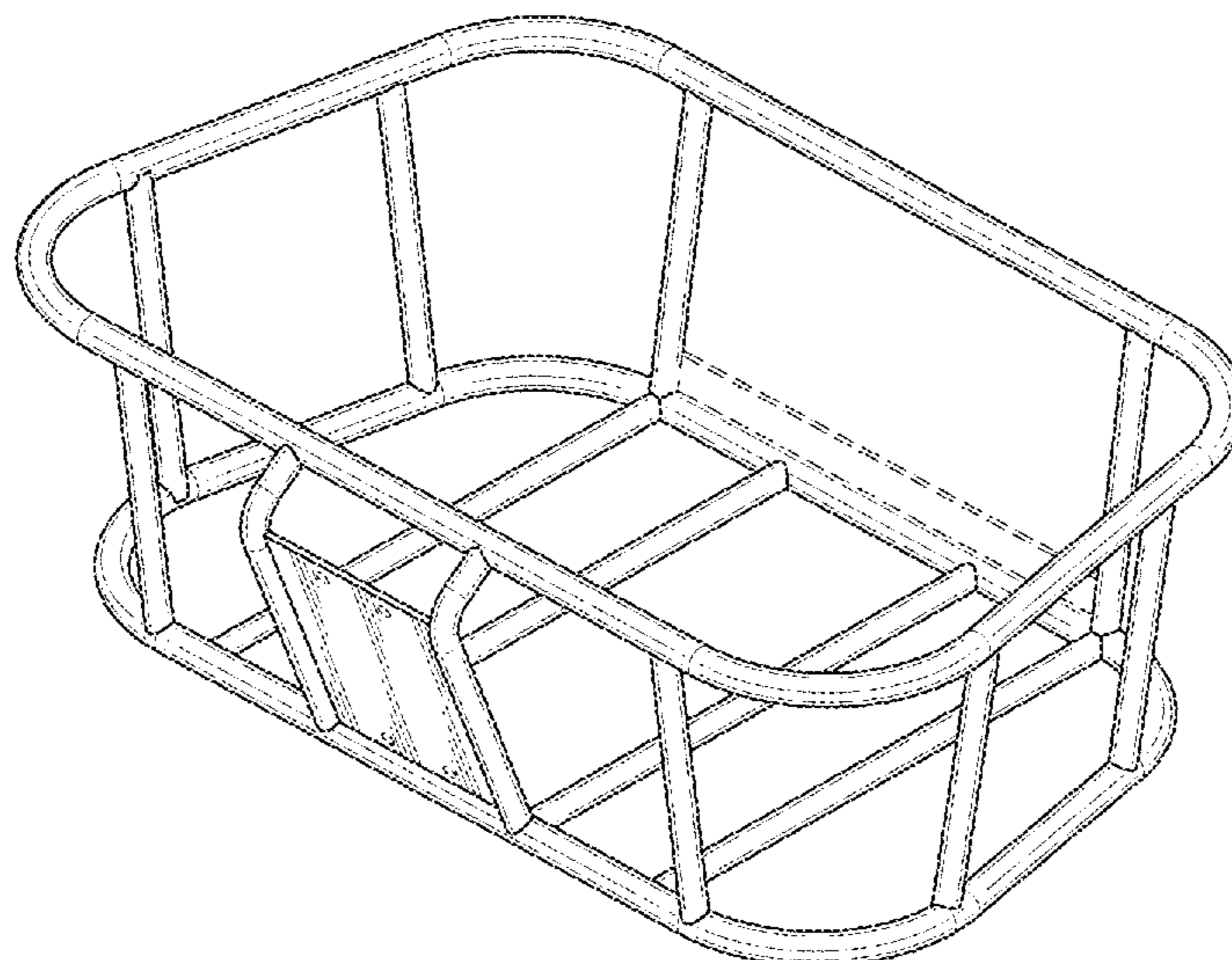
FIG. 8 is a left side elevation view of the basket frame shown in FIG. 1.

FIG. 9 is a top plan view of the basket frame shown in FIG. 1; and,

FIG. 10 is a bottom plan view of the basket frame shown in FIG. 1.

The broken lines in the drawings illustrate portions of the basket frame that form no part of the claimed design.

1 Claim, 10 Drawing Sheets



(56)

References Cited

U.S. PATENT DOCUMENTS

2,889,096 A * 6/1959 Glenny B62J 9/21
224/434
D190,011 S * 3/1961 Pawsat 224/450
3,695,496 A * 10/1972 Humlong B62J 7/06
224/450
D237,483 S * 11/1975 Utiz et al. D12/407
4,331,270 A * 5/1982 Humlong B62J 9/27
224/463
D394,733 S * 5/1998 Nowicki D30/114
D554,417 S * 11/2007 Thorsteinsson D6/566
D554,419 S * 11/2007 Thompson D6/566
D626,909 S * 11/2010 Chen D12/407
D767,469 S * 9/2016 Liu D12/407
D943,494 S * 2/2022 Hu D12/407

OTHER PUBLICATIONS

Emoji Bike Front Basket, posted at Amazon.com, first available Apr. 26, 2020, retrieved on Sep. 20, 2022, online, https://www.amazon.com/Voltech-Standard-Electric-Cycling-Aluminum/dp/B087PMR7GS/ref=sr_1_123?crid=2MY2T1TX1PRXD&keywords=bike+carg%E2%80%A6 (Year: 2020).*

Front Basket, posted at boogiebikes.com, first available Aug. 21, 2021, retrieved on Sep. 20, 2022, online, https://boogiebikes.com/products/front-basket?variant=40106332192924¤cy=USD&utm_medium=product_sync&utm_source=google&utm_cont%E2%80%A6 (Year: 2021).*

Garneck Bike Basket, posted at Amazon.com, first available Jul. 2, 2020, retrieved on Sep. 20, 2022, online, https://www.amazon.com/Garneck-Basket-Metal-Hanging-Bicycle/dp/B08C7NHJ2H/ref=sr_1_126?crid=2MY2T1TX1PRXD&keywords=bike+cargo+ba%E2%80%A6 (Year: 2020).*

* cited by examiner

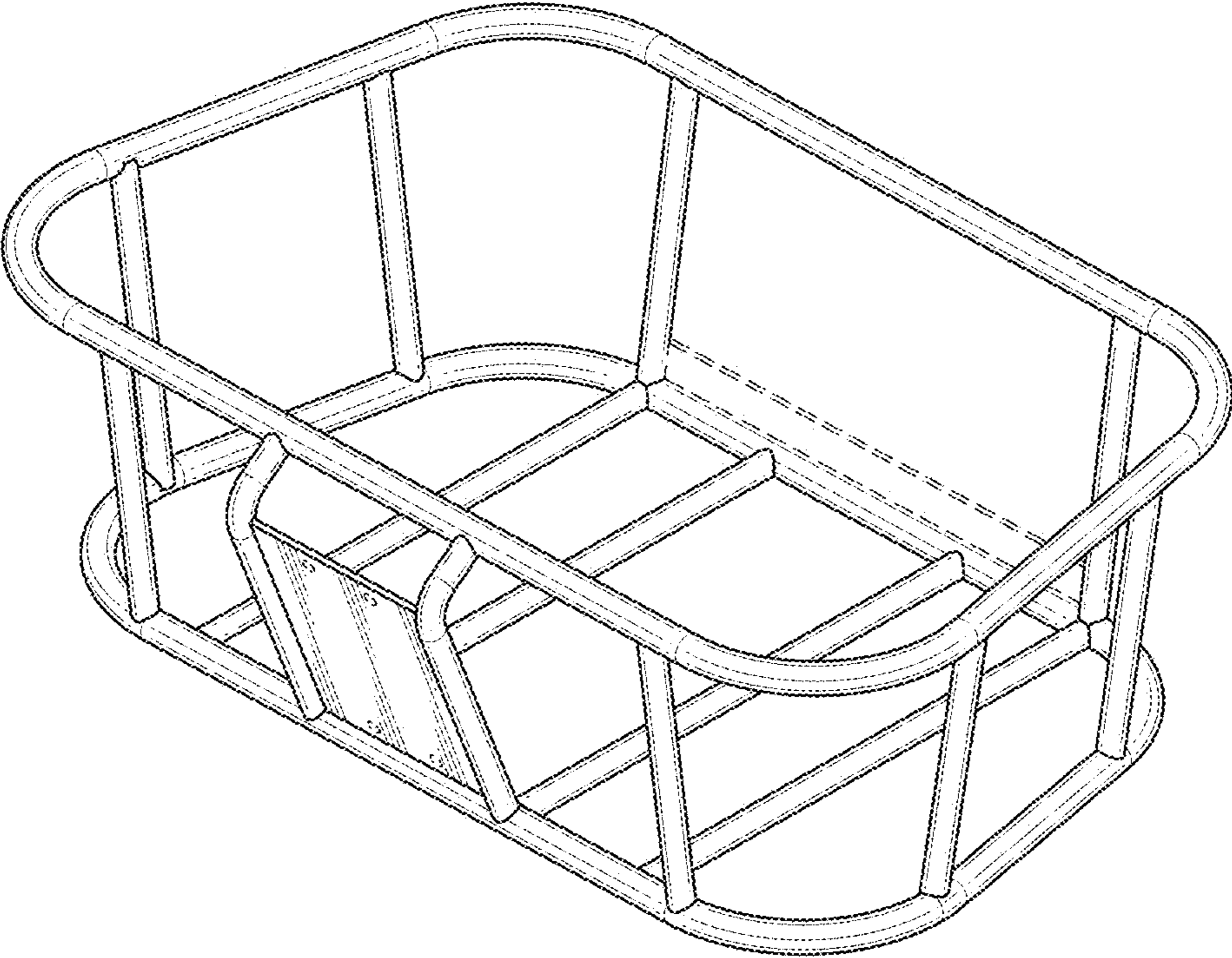


FIG. 1

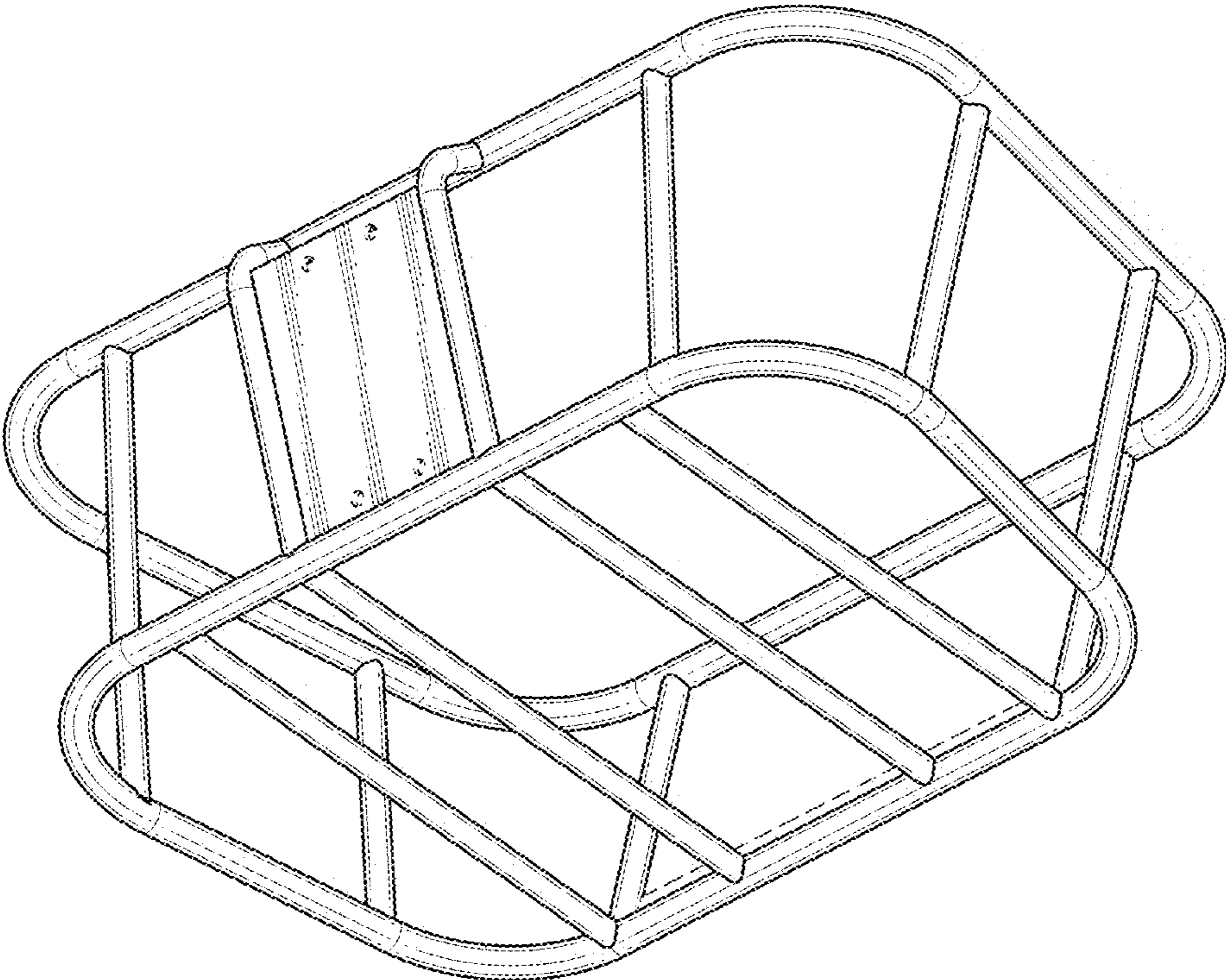


FIG. 2

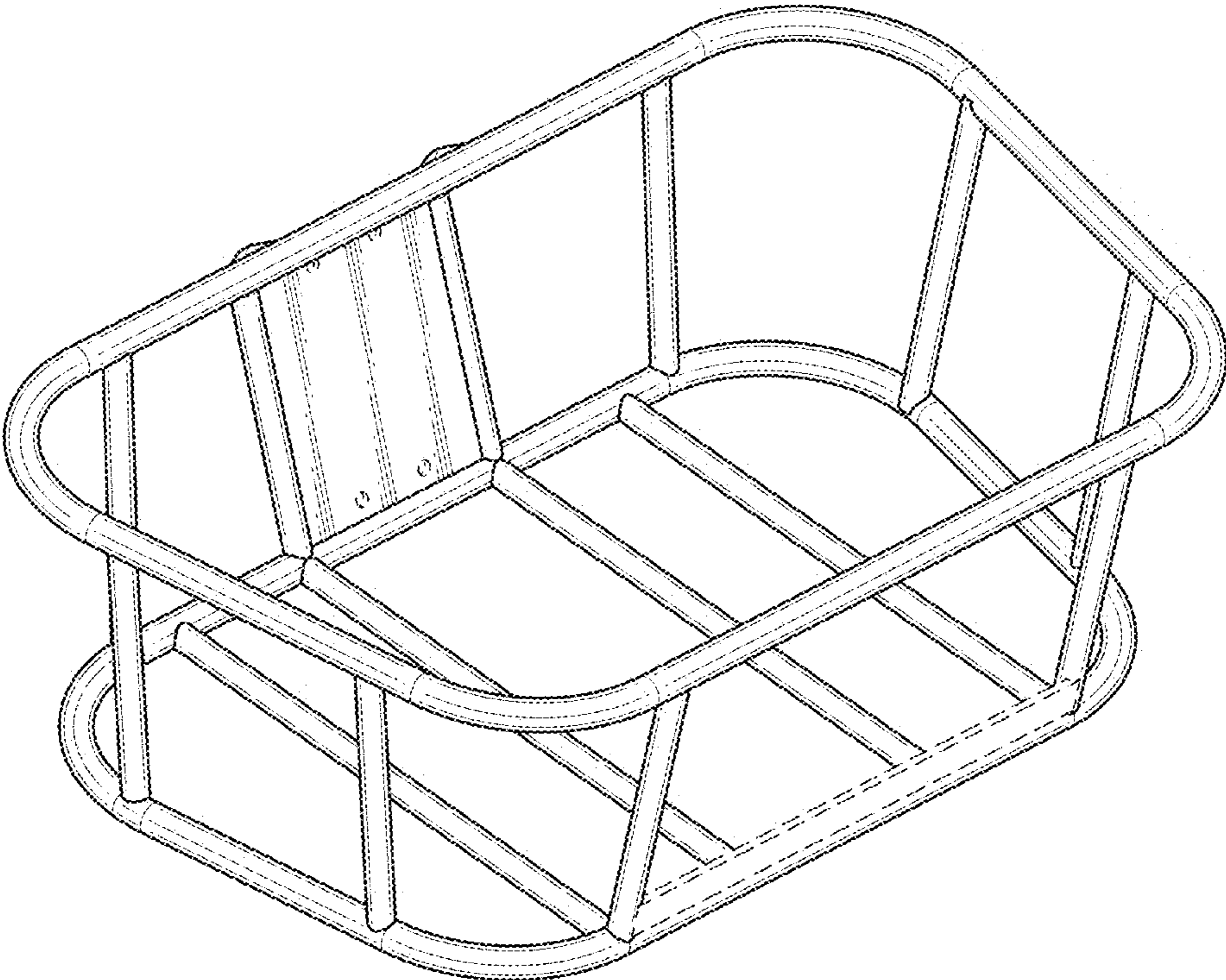


FIG. 3

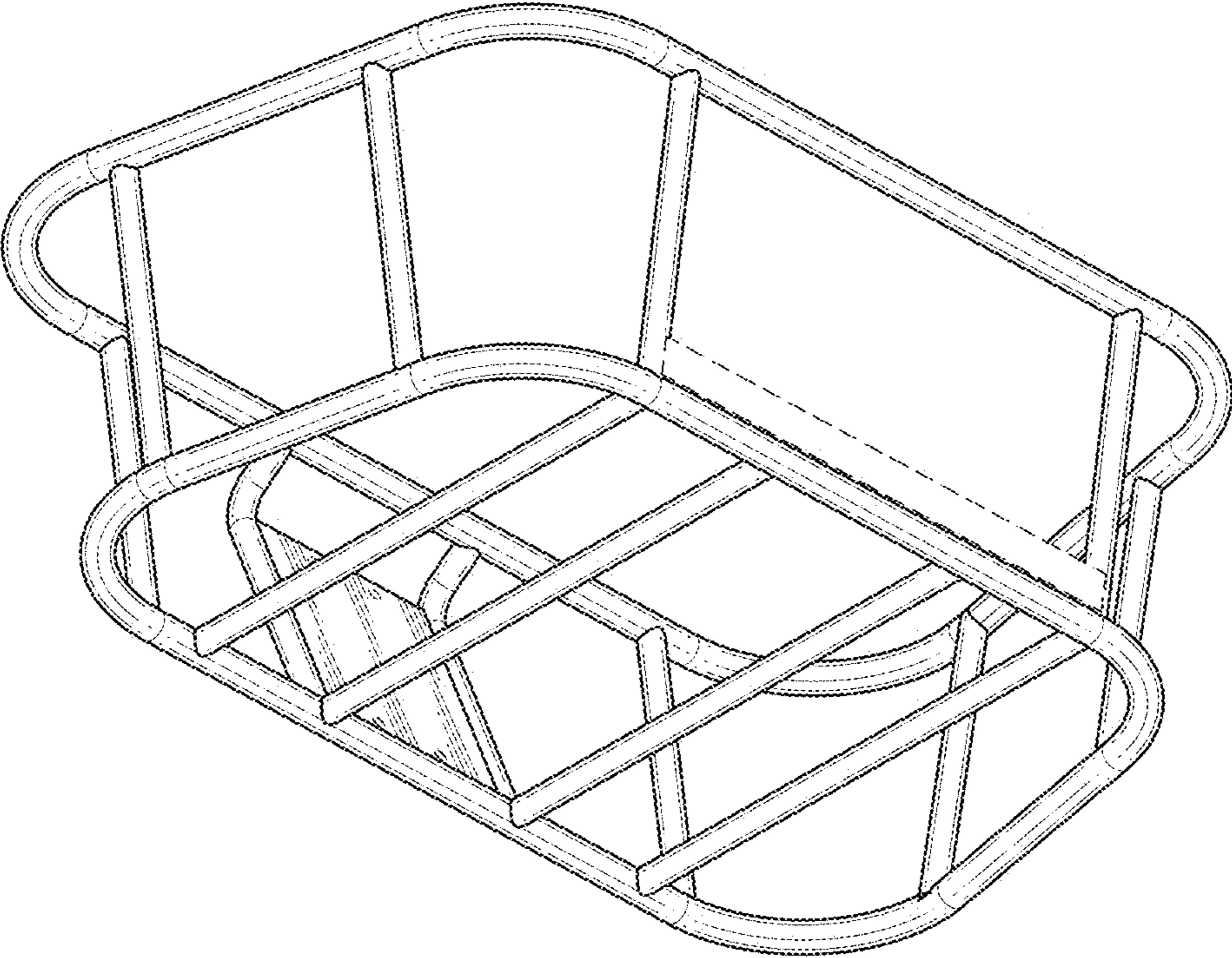


FIG. 4

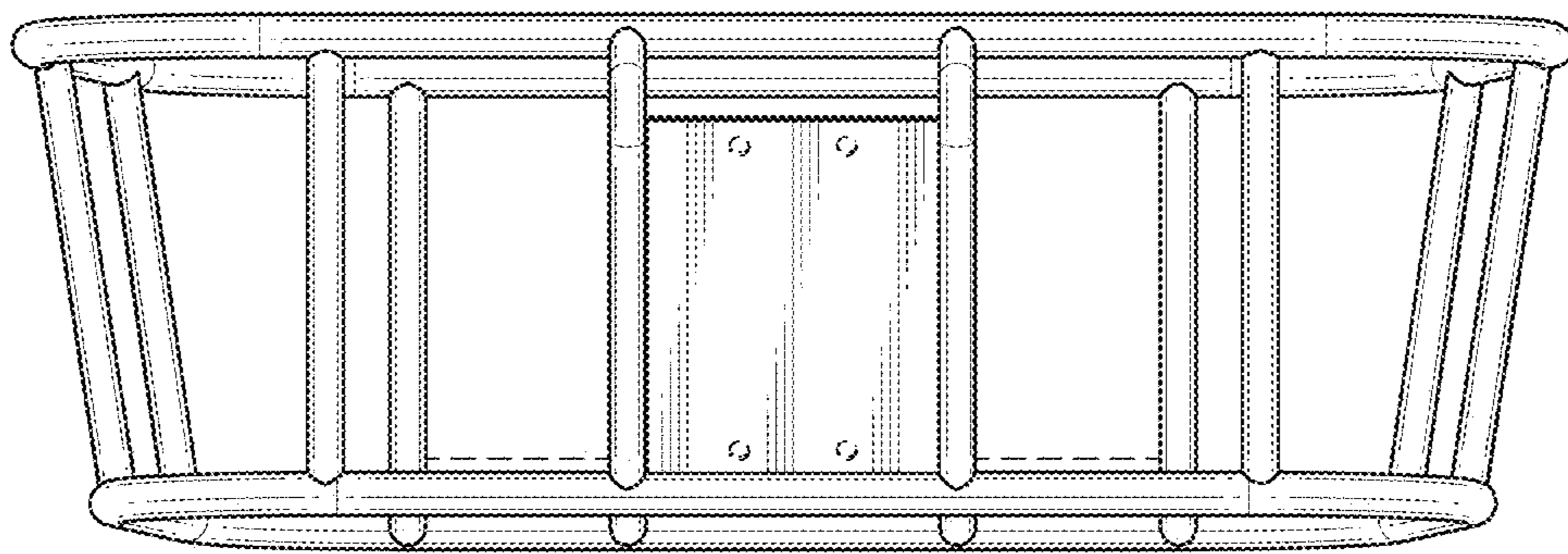


FIG. 5

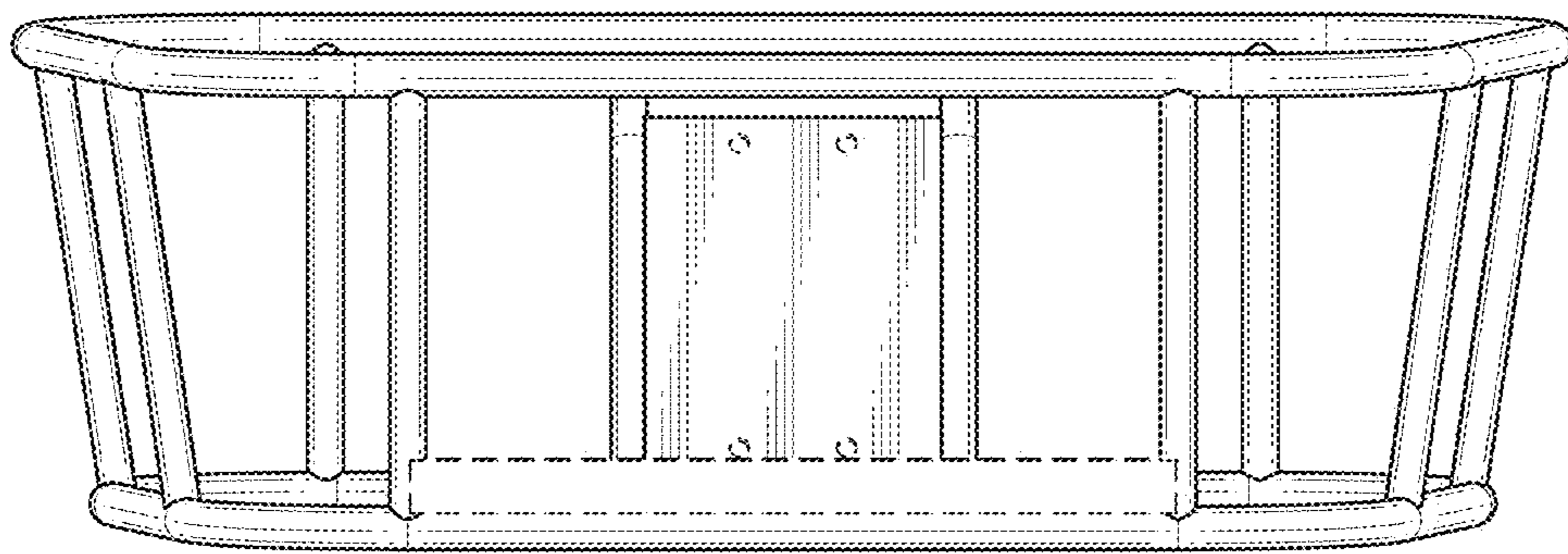


FIG. 6

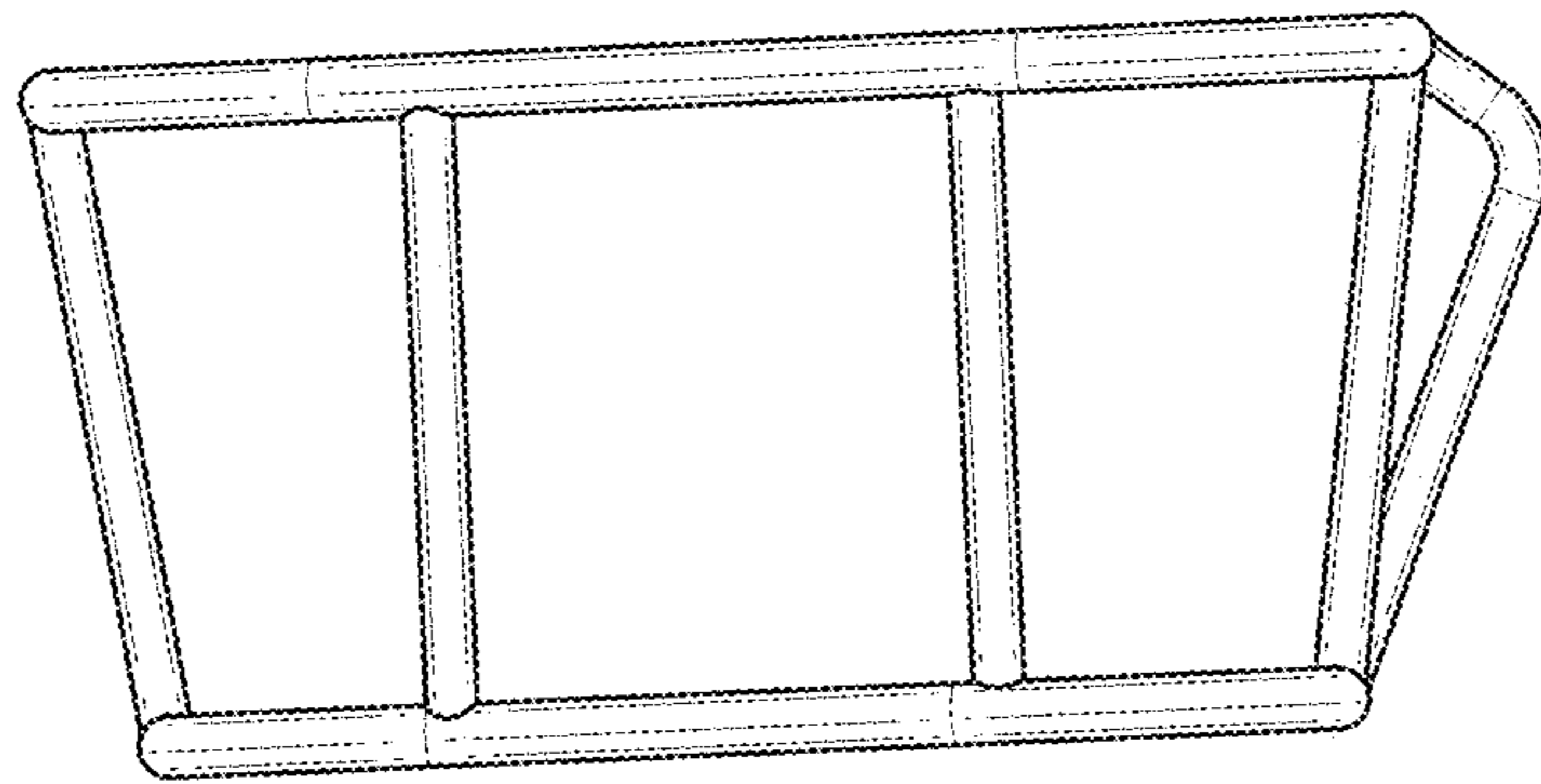


FIG. 7

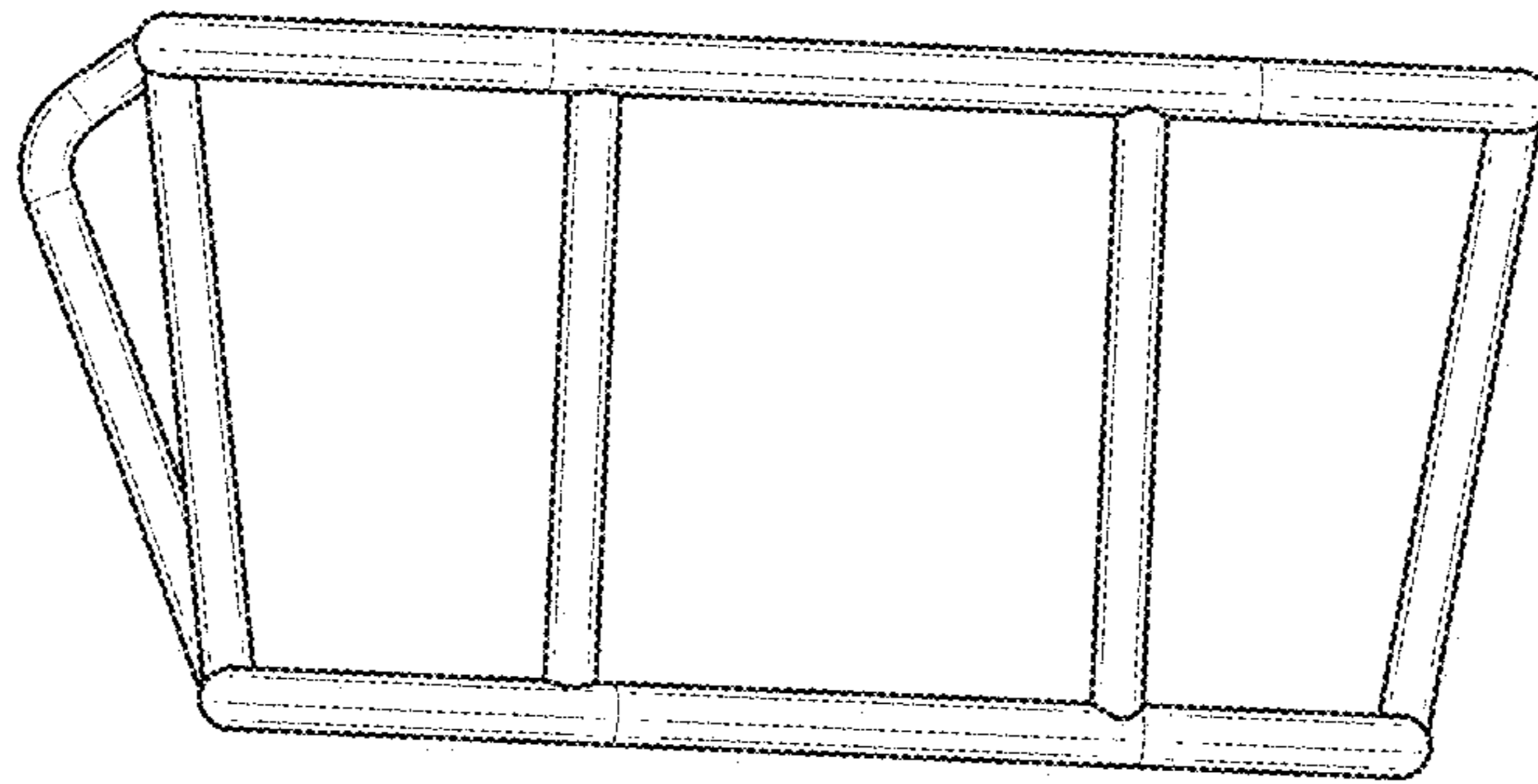


FIG. 8

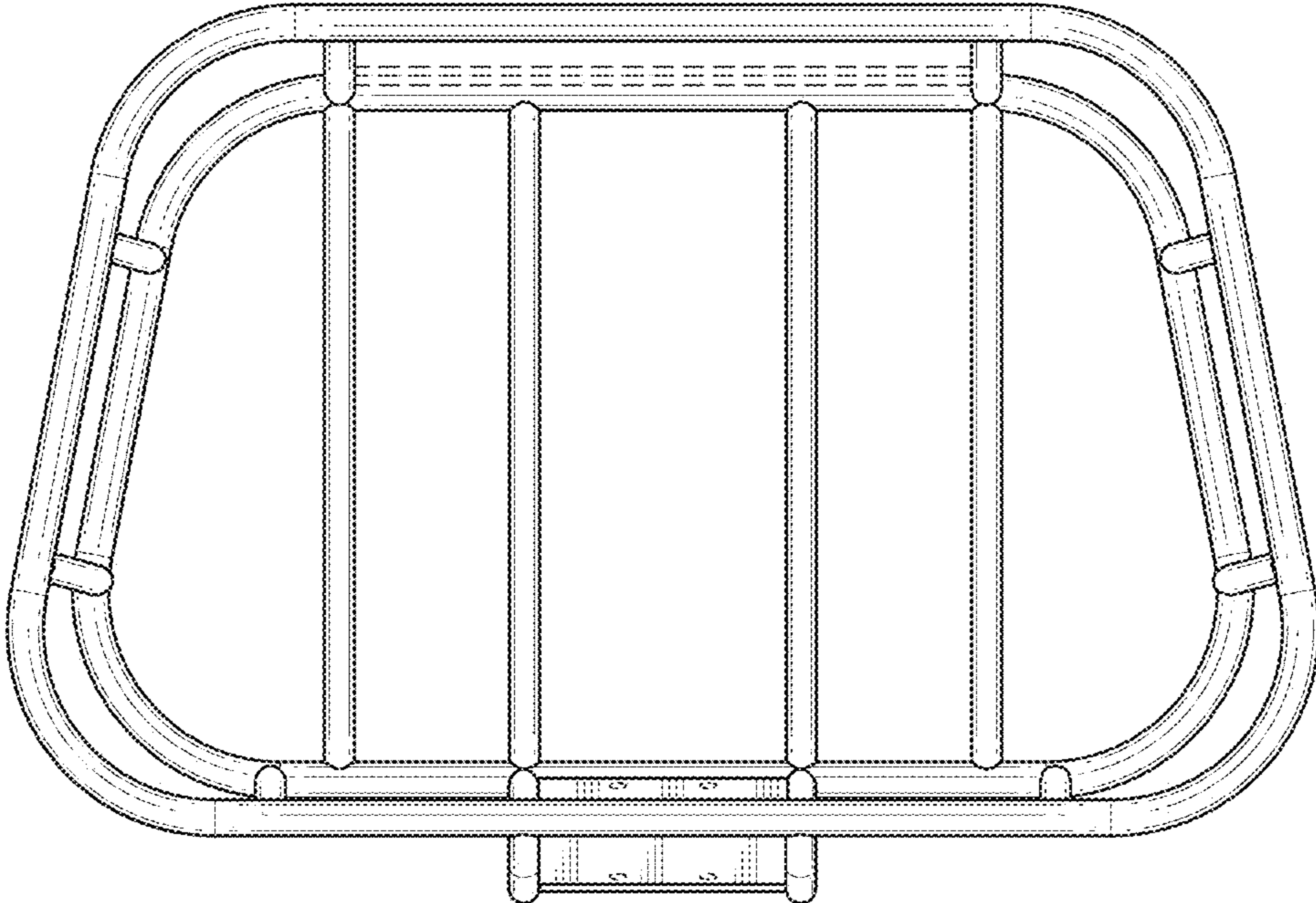


FIG. 9

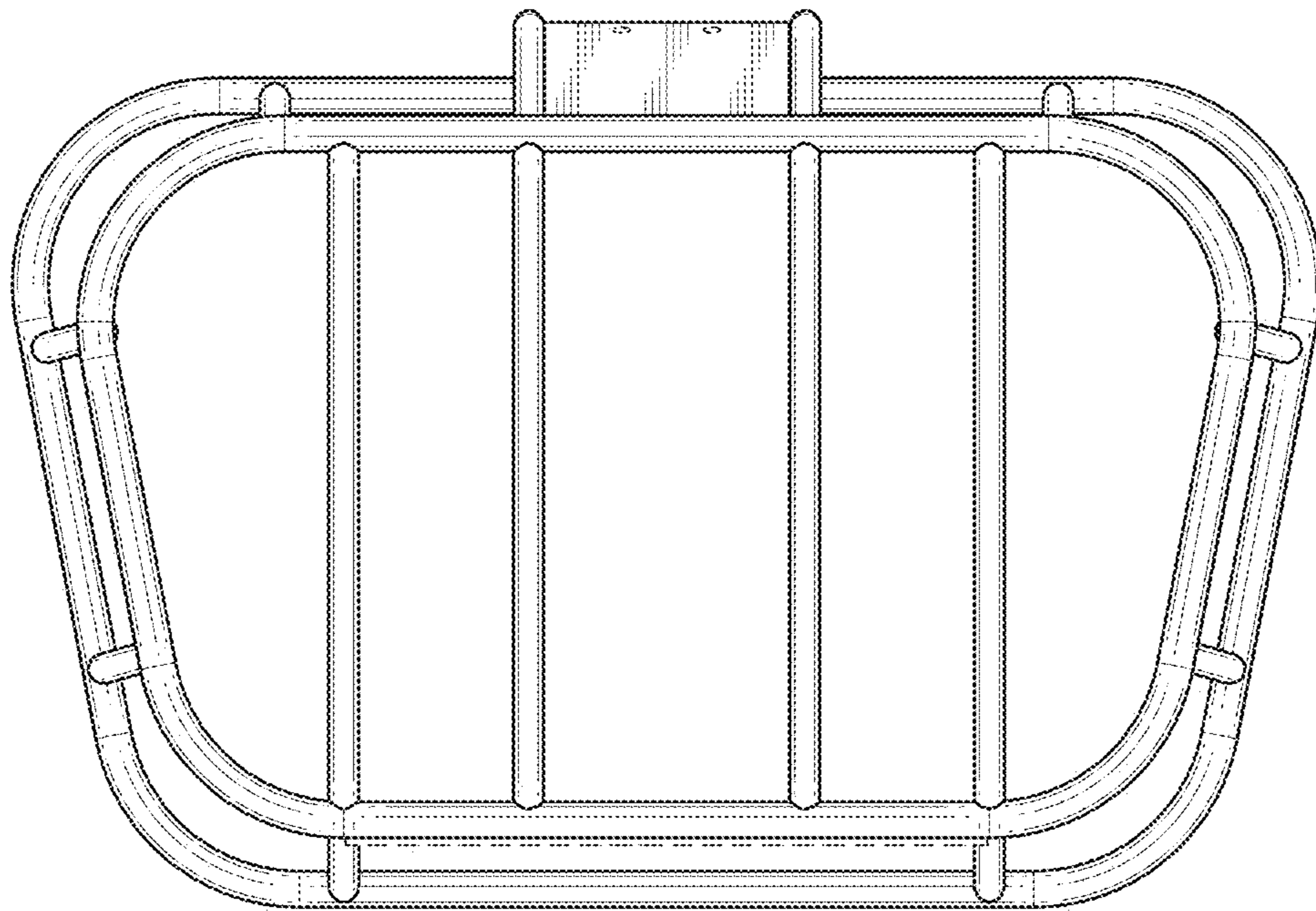


FIG. 10