

US00D976802S

(12) **United States Design Patent**
Hsu

(10) **Patent No.:** **US D976,802 S**
(45) **Date of Patent:** **** Jan. 31, 2023**

(54) **BICYCLE CARRIER**

FOREIGN PATENT DOCUMENTS

(71) Applicant: **KING ROOF INDUSTRIAL CO., LTD.**, Taichung (TW)

TW 110305262 * 8/2022

(72) Inventor: **Te-Fen Hsu**, Taichung (TW)

OTHER PUBLICATIONS

(73) Assignee: **KING ROOF INDUSTRIAL CO., LTD.**, Taichung (TW)

“Hollywood Racks Sport Rider SE Bike Rack for 2 Electric Bikes—2” Hitches—Frame Mount” Etrailer., posted date Apr. 15, 2011 [online], [retrieved on Sep. 3, 2022]. Retrieved from the Internet <URL: <https://www.etrailer.com/Hitch-Bike-Racks/Hollywood-Racks/HLY84FR.html>> (Year: 2011).*

(**) Term: **15 Years**

(Continued)

(21) Appl. No.: **29/766,257**

(22) Filed: **Jan. 14, 2021**

Primary Examiner — Darlington Ly

(51) **LOC (14) Cl.** **12-16**

Assistant Examiner — Nasim Abdulaziz Ali

(52) **U.S. Cl.**
USPC **D12/406**

(74) *Attorney, Agent, or Firm* — Muncy, Geissler, Olds & Lowe, P.C.

(58) **Field of Classification Search**
USPC D12/115, 120, 402, 406, 407, 408
CPC B62K 3/00; B62K 3/02; B62K 3/06
See application file for complete search history.

(57) **CLAIM**

I claim the ornamental design for a bicycle carrier, as shown and described.

(56) **References Cited**

U.S. PATENT DOCUMENTS

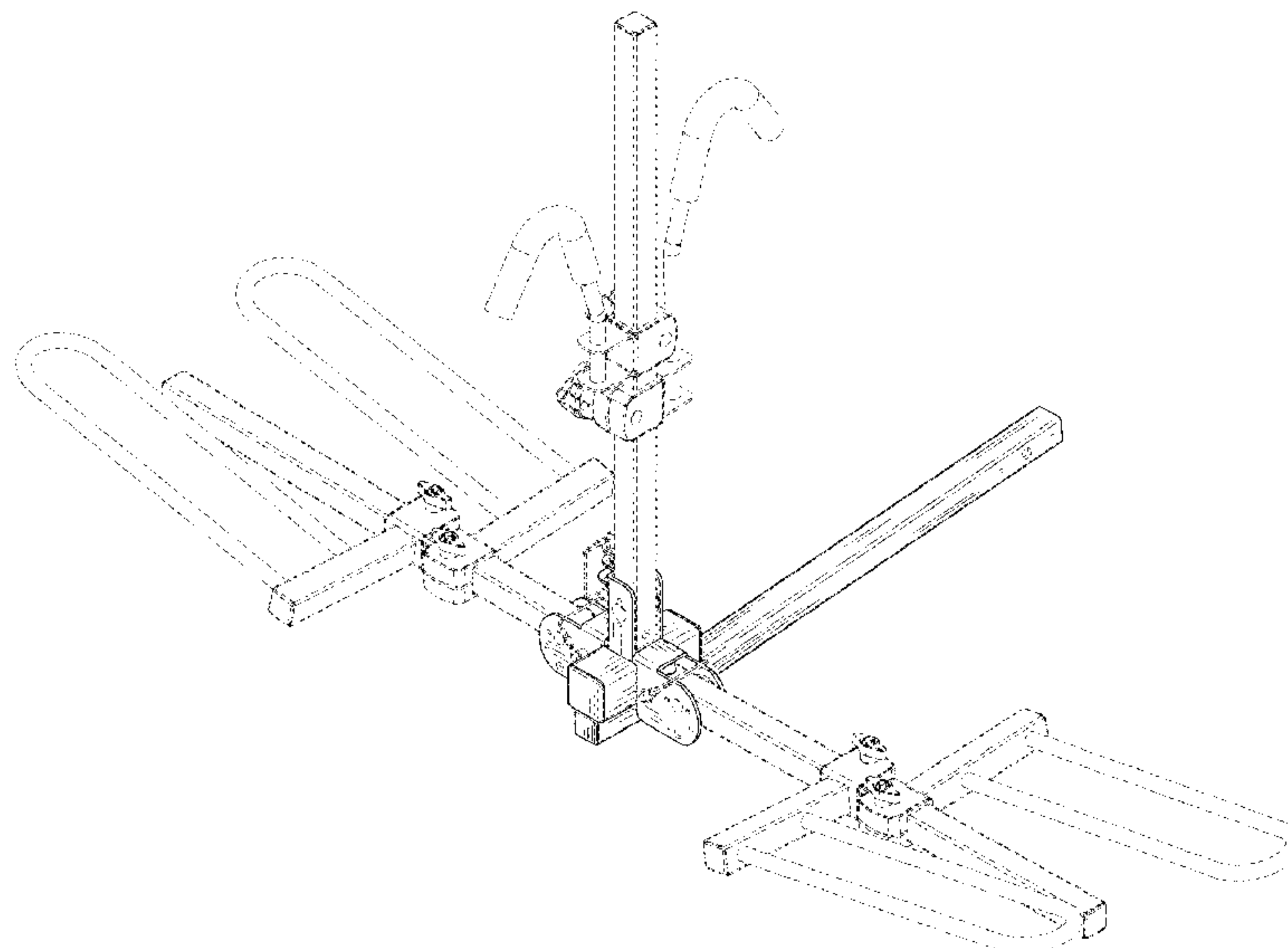
DESCRIPTION

| | | | | | |
|--------------|------|---------|----------|-------|----------------------|
| 6,491,195 | B1 * | 12/2002 | McLemore | | B60R 9/10 224/521 |
| D623,117 | S * | 9/2010 | Farber | | D12/408 |
| 9,802,549 | B1 * | 10/2017 | Shen | | B60R 9/10 |
| D817,256 | S * | 5/2018 | Adler | | D12/408 |
| 10,093,243 | B2 * | 10/2018 | Shen | | B60R 9/10 |
| D877,685 | S * | 3/2020 | Larsson | | D12/406 |
| D878,972 | S * | 3/2020 | Sumansky | | D12/115 |
| 11,091,099 | B1 * | 8/2021 | Shen | | B60R 9/06 |
| D947,752 | S * | 4/2022 | Yu | | D12/408 |
| D952,539 | S * | 5/2022 | Shen | | D12/407 |
| D955,969 | S * | 6/2022 | Huang | | D12/407 |
| 2005/0061842 | A1 * | 3/2005 | Tsai | | B60R 9/06 224/501 |
| 2008/0230579 | A1 * | 9/2008 | Wang | | B60R 9/10 224/400 |
| 2011/0011909 | A1 * | 1/2011 | Liu | | B60R 9/10 224/523 |

FIG. 1 is a top, front, and right side perspective view of a bicycle carrier showing my new design;
FIG. 2 is a front elevational view thereof;
FIG. 3 is a rear elevational view thereof;
FIG. 4 is a left side elevation view thereof;
FIG. 5 is a right side elevation view thereof;
FIG. 6 is a top plan view thereof;
FIG. 7 is a bottom plan view thereof;
FIG. 8 is a top, rear, and left side perspective view thereof;
and,
FIG. 9 is a partially enlarged view of FIG. 8.
The broken lines in the drawings illustrate portions of the bicycle carrier which form no part of the claimed design.

(Continued)

1 Claim, 9 Drawing Sheets



(56)

References Cited

U.S. PATENT DOCUMENTS

2013/0062385 A1* 3/2013 Pedrini B60R 9/10
224/501
2014/0124551 A1* 5/2014 Condon B60R 9/10
224/324
2016/0068111 A1* 3/2016 Walker B60R 9/10
224/521

OTHER PUBLICATIONS

“KAC E2 1.25" & 2" Hitch Mounted Rack 2-Bike Platform Style Carrier” KAC., posted date Jun. 19, 2019 [online], [retrieved on Sep. 3, 2022]. Retrieved from the Internet <URL: <https://www.amazon.com/KAC-Mounted-Platform-Standard-Bicycles/dp/B07TC9HLX6>> (Year: 2019).*

“Vibrelli Electric Bike Hitch Rack” Vibrelli., posted date Jun. 15, 2020 [online], [retrieved on Sep. 3, 2022]. Retrieved from the Internet <URL: <https://www.amazon.com/Vibrelli-Electric-Bike-Hitch-Rack/dp/B08B5M9C4R>> (Year: 2020).*

* cited by examiner

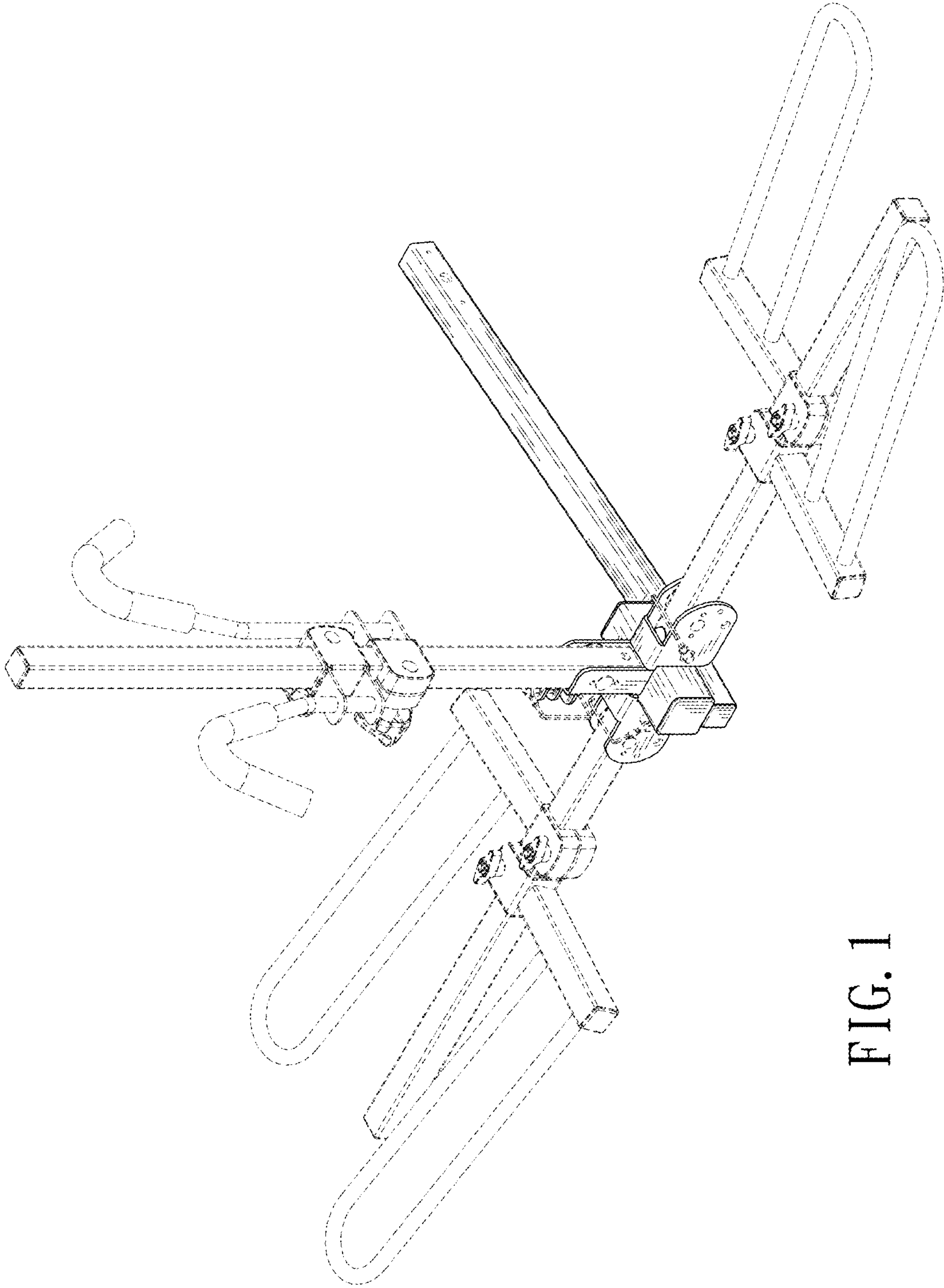


FIG. 1

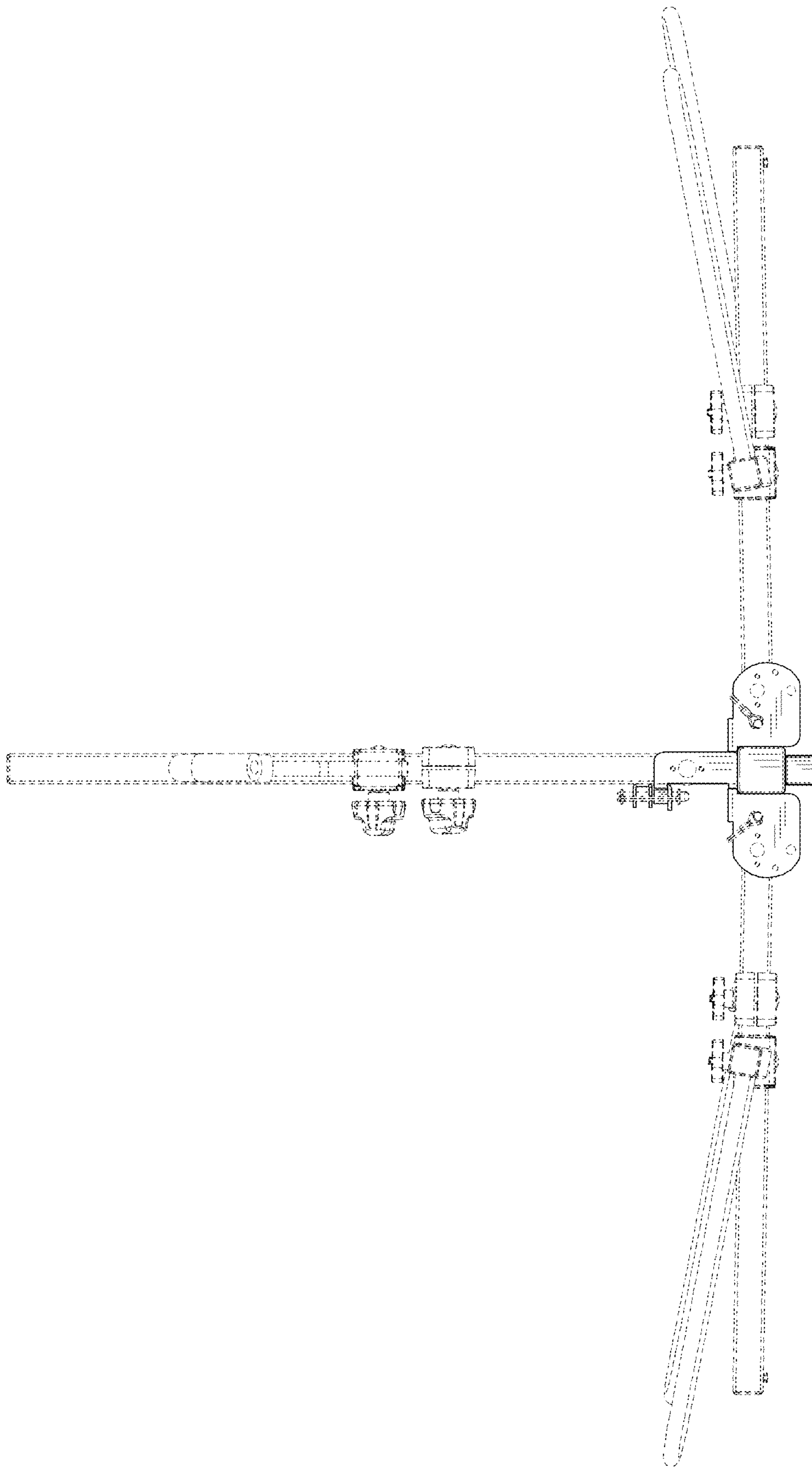


FIG. 2

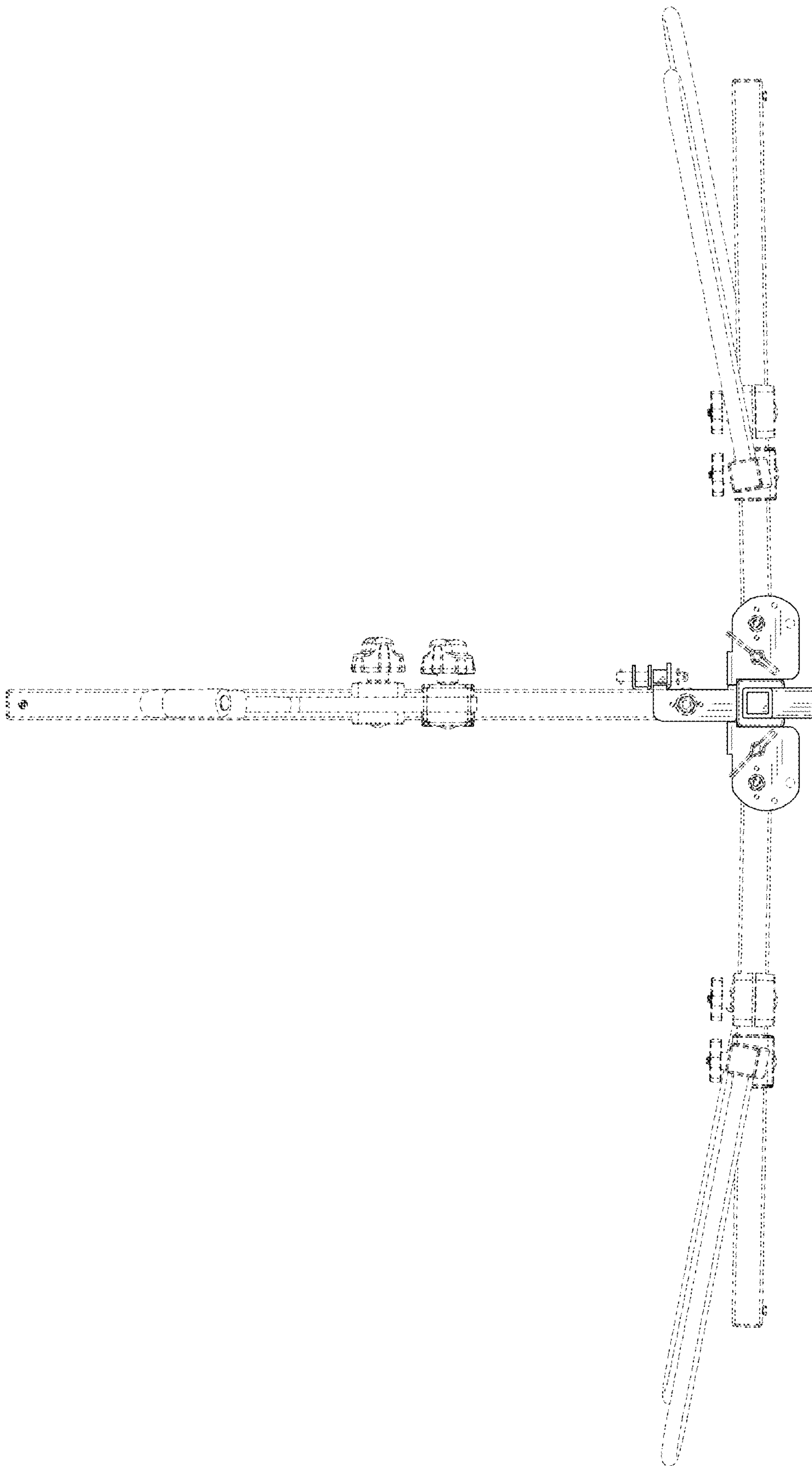


FIG. 3

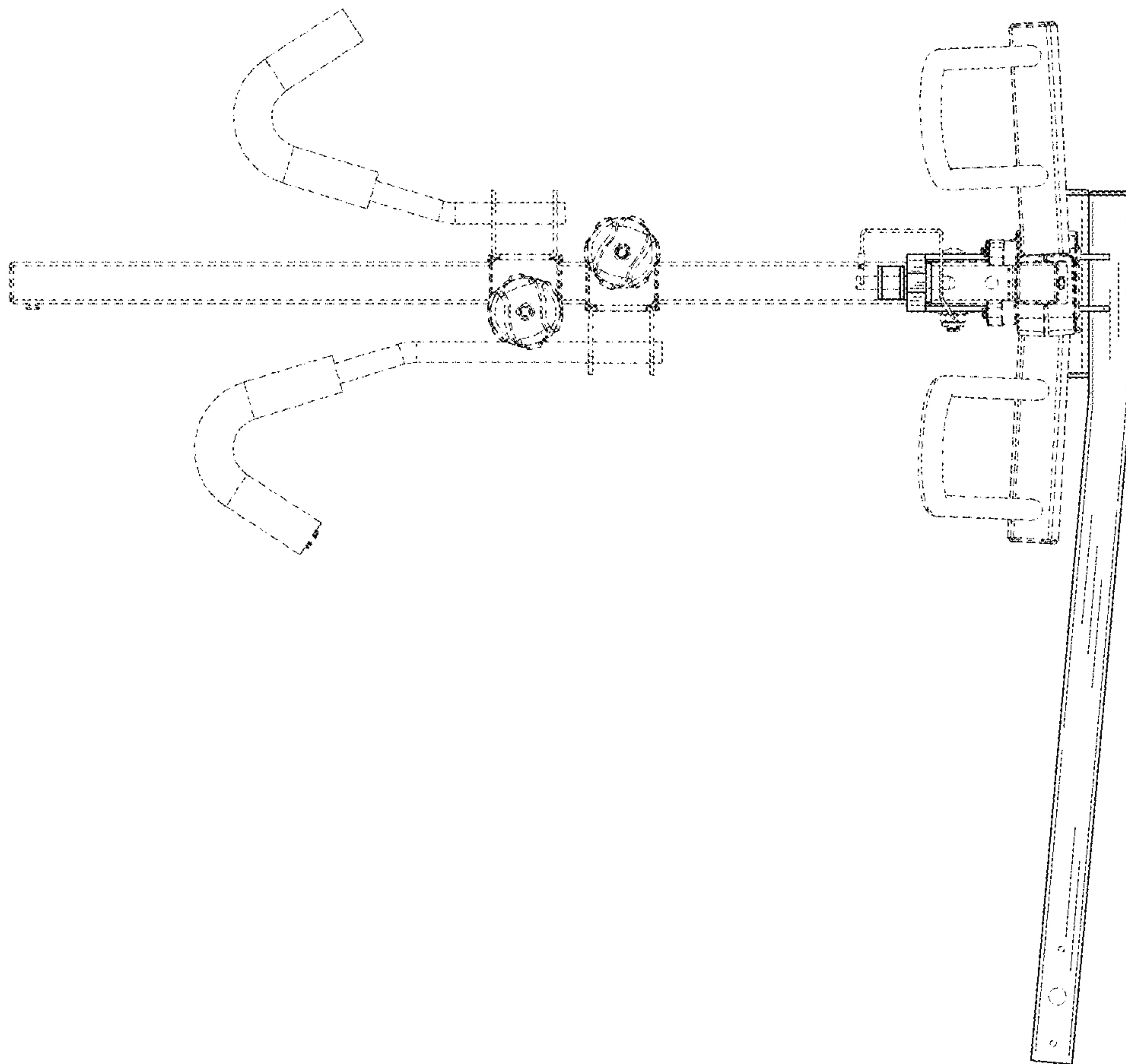


FIG. 4

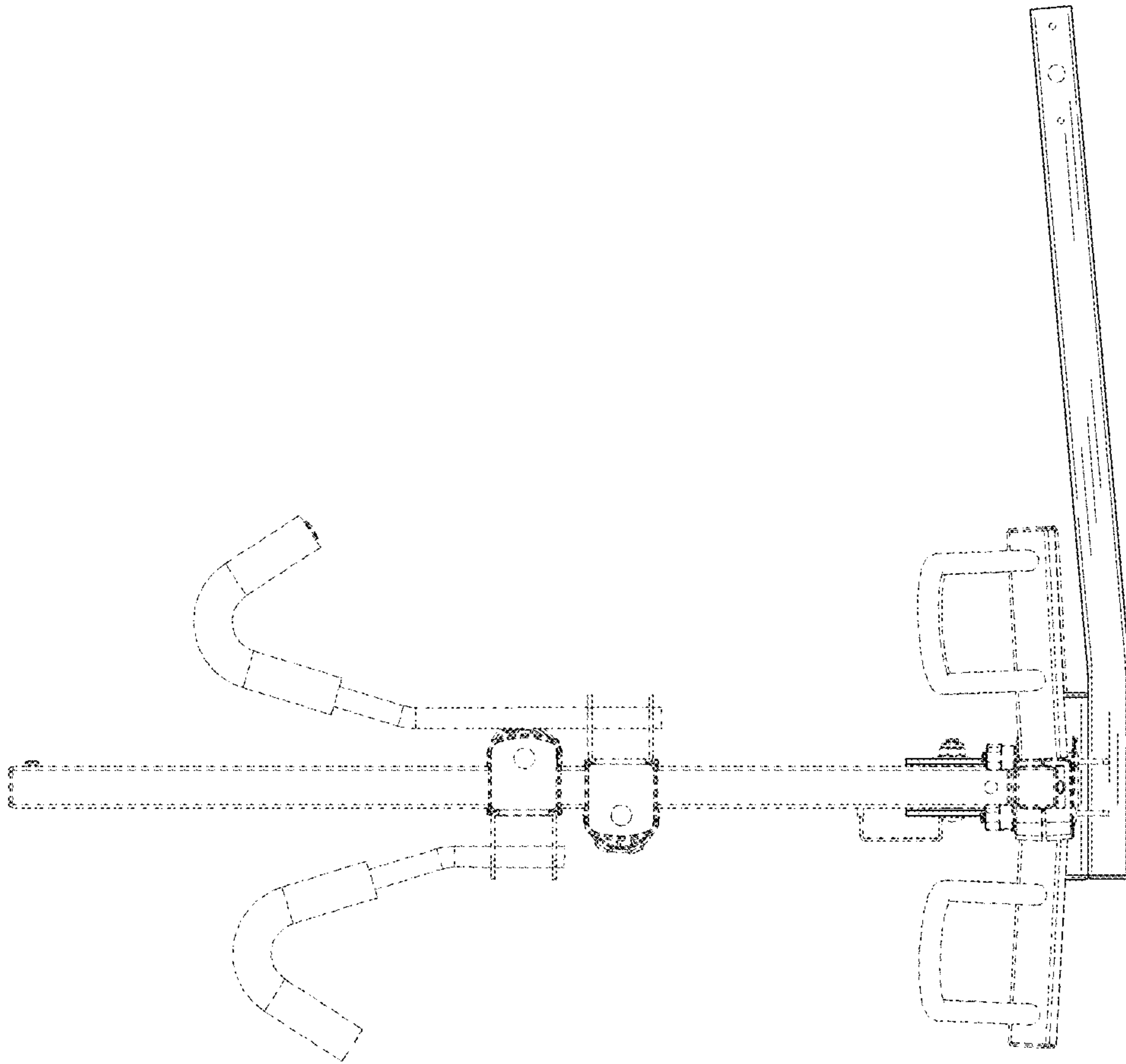


FIG. 5

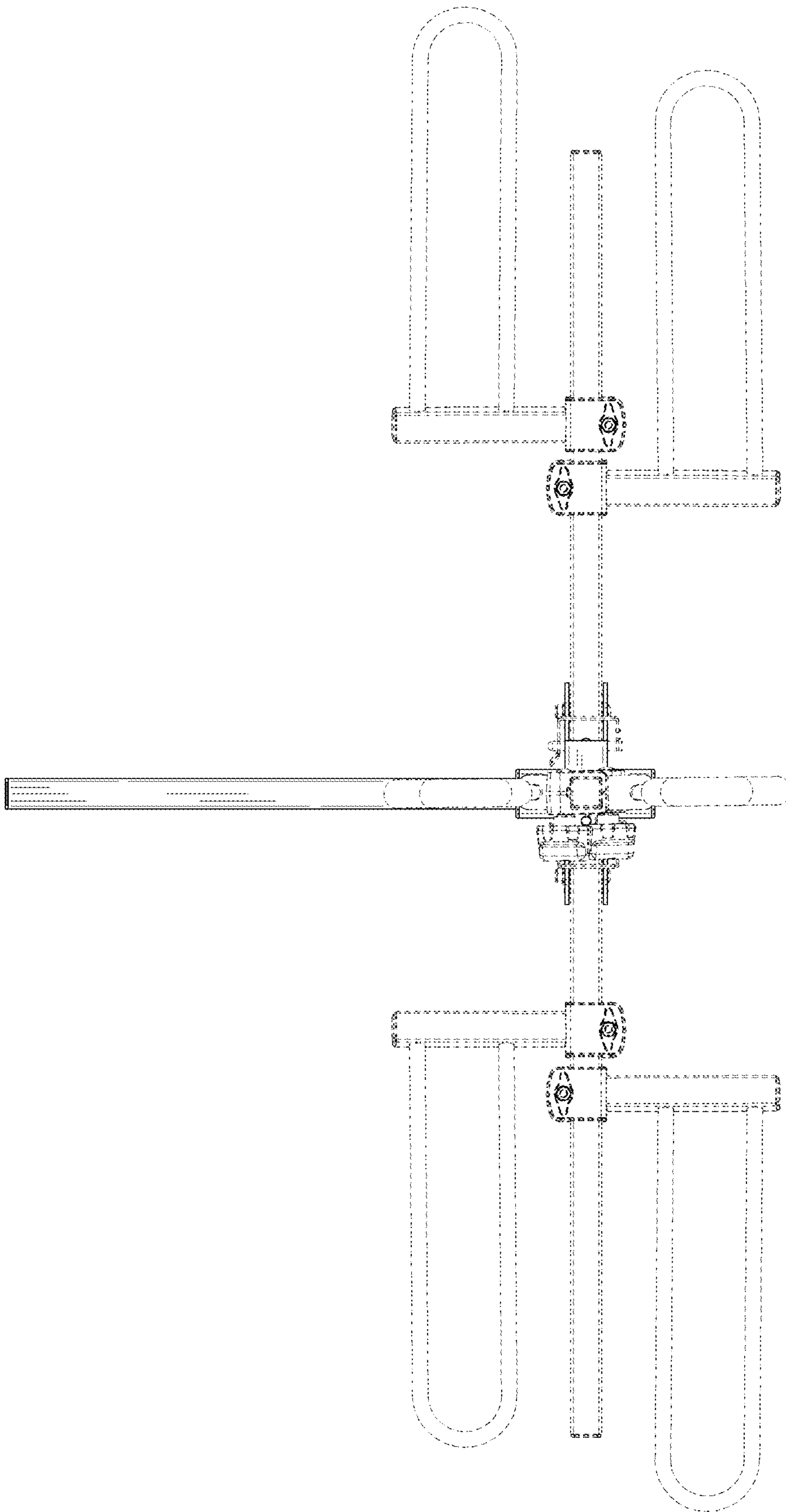


FIG. 6

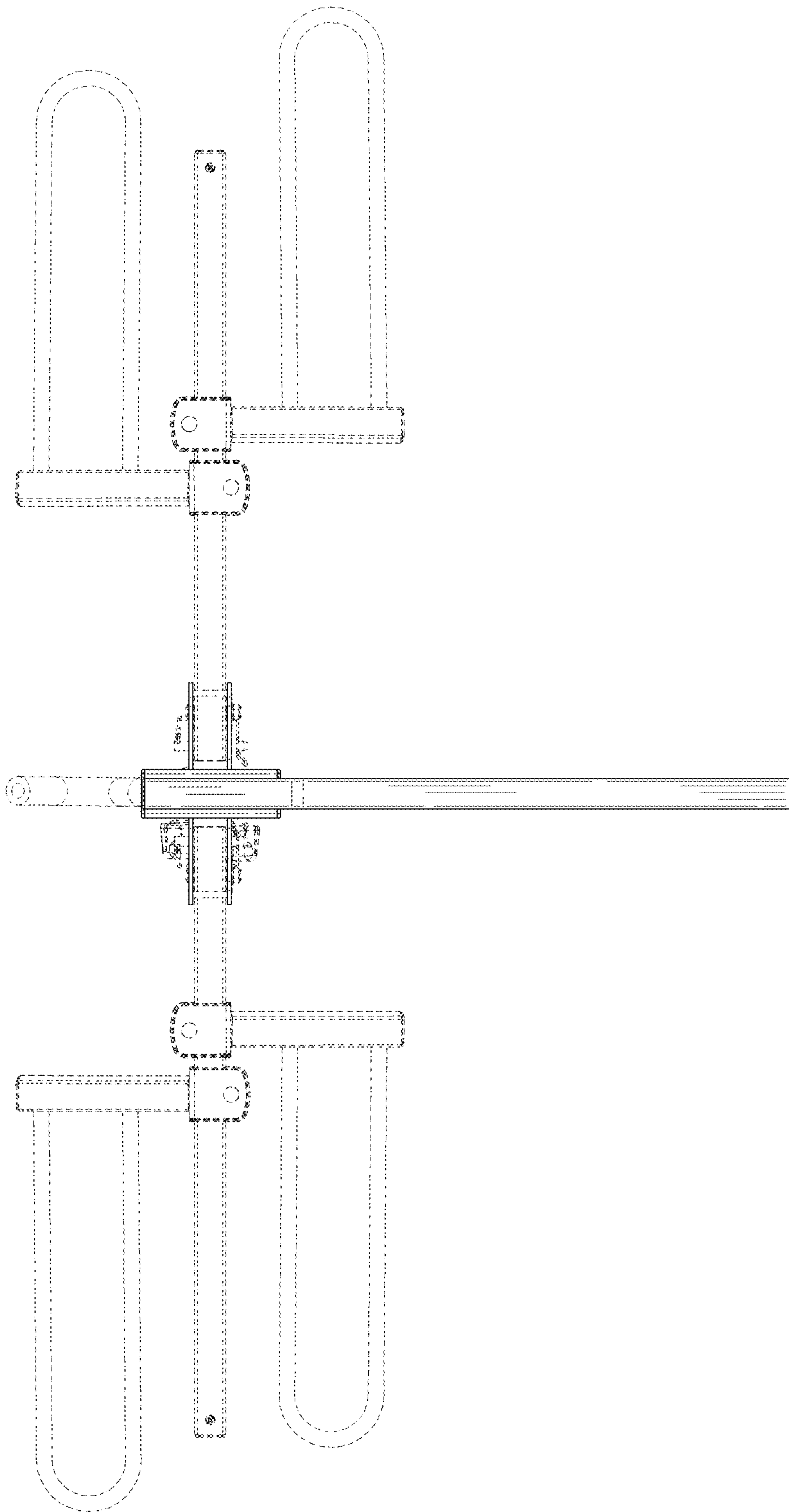


FIG. 7

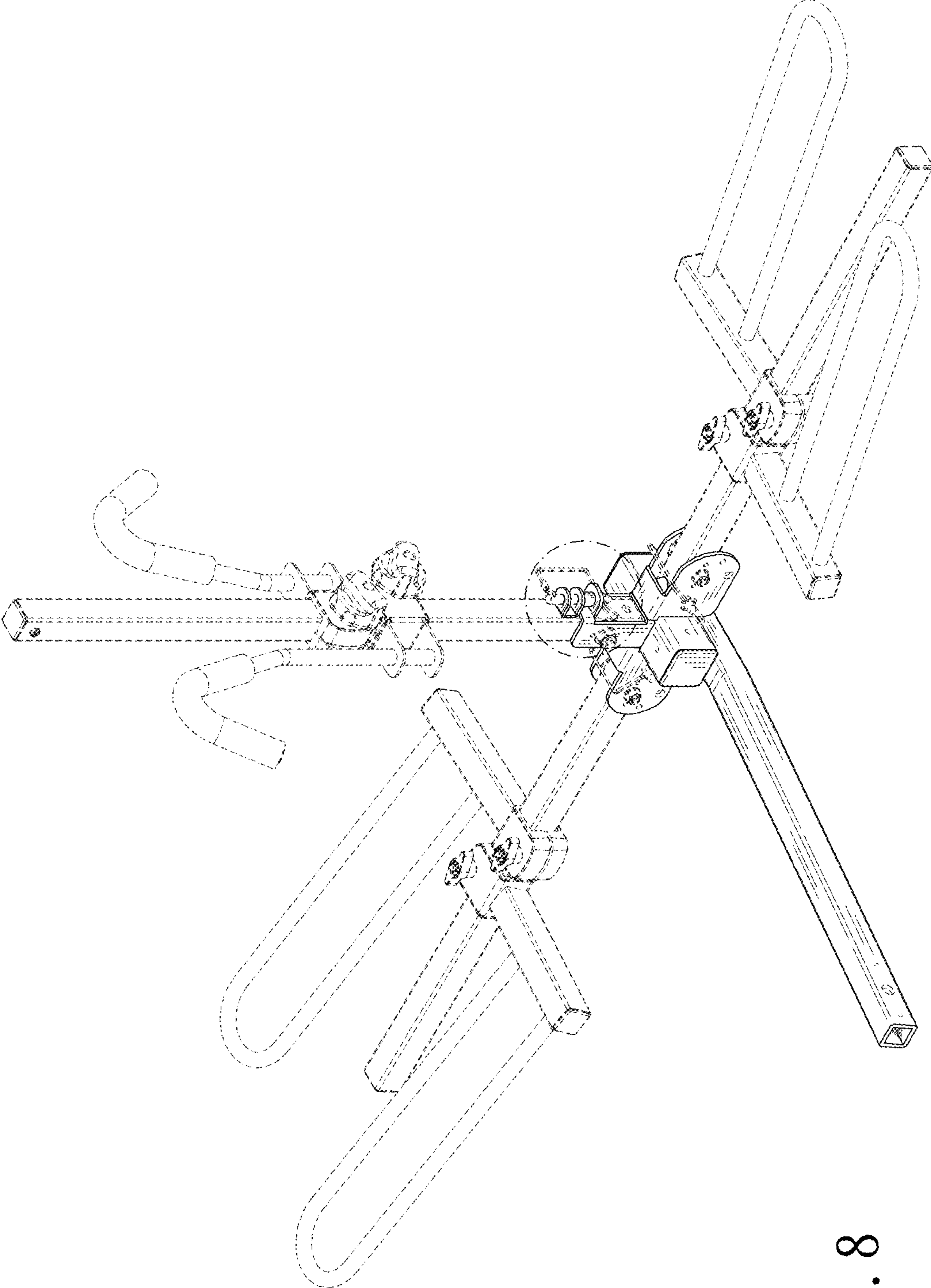


FIG. 8

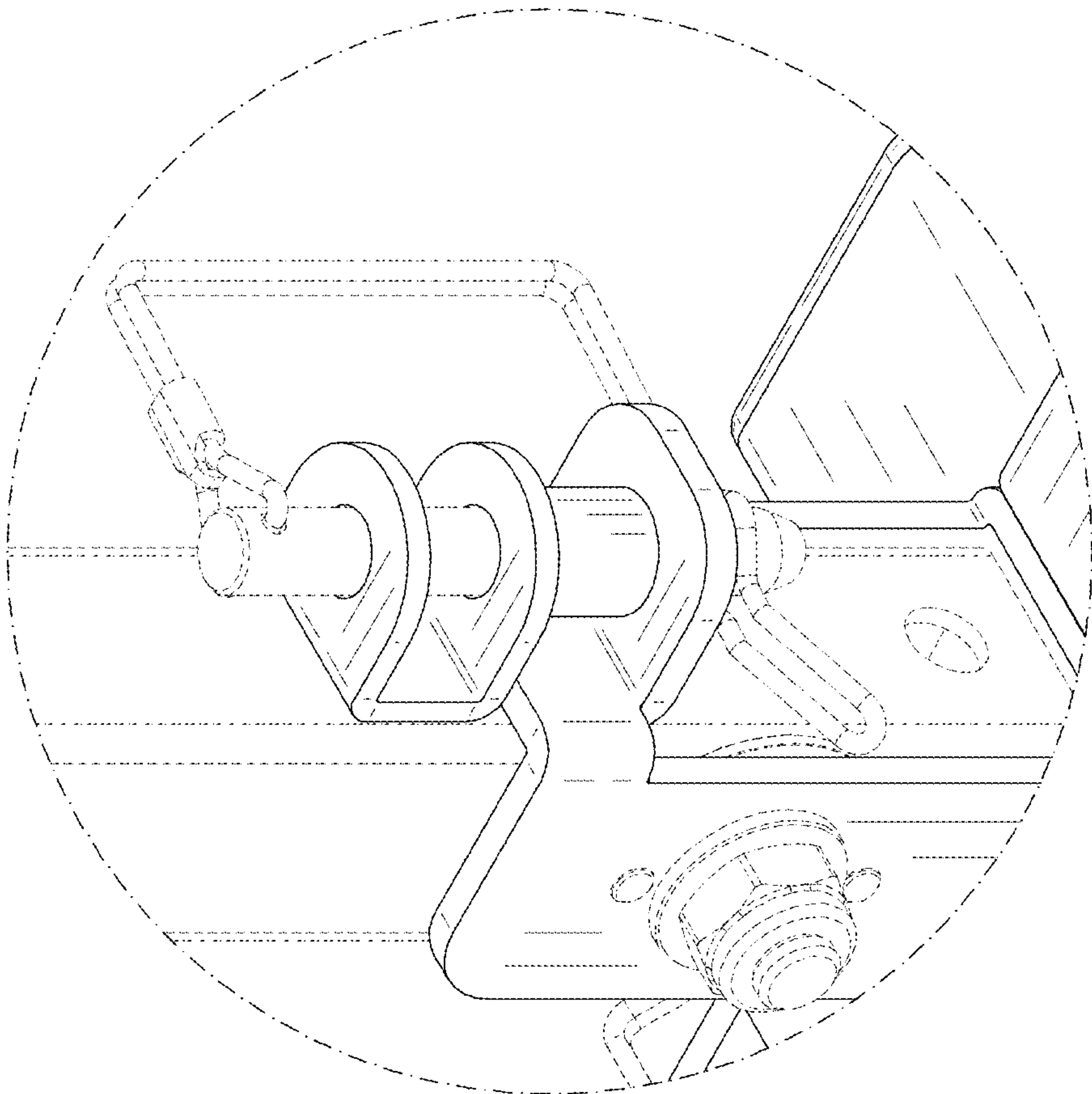


FIG. 9