



US00D976799S

(12) **United States Design Patent** (10) **Patent No.:** **US D976,799 S**
Cummings (45) **Date of Patent:** **** Jan. 31, 2023**

(54) **AIRCRAFT**

(71) Applicant: **Darold B Cummings**, Coeur D'Alene, ID (US)

(72) Inventor: **Darold B Cummings**, Coeur D'Alene, ID (US)

(**) Term: **15 Years**

(21) Appl. No.: **29/758,620**

(22) Filed: **Nov. 17, 2020**

(51) **LOC (14) Cl.** **12-07**

(52) **U.S. Cl.**
USPC **D12/319**; D21/447; D21/450

(58) **Field of Classification Search**
USPC D12/319, 326, 327, 328, 330, 331, 333,
D12/334, 337, 339, 341, 345; D21/447,
D21/450

CPC B64C 27/00; B64C 27/22
See application file for complete search history.

(56) **References Cited**

U.S. PATENT DOCUMENTS

D363,696 S *	10/1995	Kroo	D12/331
D595,207 S *	6/2009	Cazals	D12/345
D608,720 S *	1/2010	Saint-Jalmes	B64D 27/14
				D12/319
D651,156 S *	12/2011	Gundlach	D12/319
8,657,226 B1 *	2/2014	McGinnis	B64C 39/068
				244/45 R
D733,031 S *	6/2015	Horlin	D12/345
D736,140 S *	8/2015	Moller	D12/330
D740,203 S *	10/2015	Bouffanais	D12/345
D885,300 S *	5/2020	Merrill	D12/326

OTHER PUBLICATIONS

Study of a C-wing configuration for passive drag and load alleviation—
ScienceDirect, Apr. 2018 [retrieved Oct. 26, 22]. Retrieved from

internet, <https://www.sciencedirect.com/science/article/pii/S0889974617305054#fig1> (Year: 2018).*

Airworthiness Investigation of a Highly Nonplanar Flexible Wing Concept, Sep. 2014.[retrieved Oct. 26, 2022]. Retrieved from internet, https://www.icas.org/ICAS_ARCHIVE/ICAS2014/data/papers/2014_0088_paper.pdf (Year: 2014).*

Aeroelastic Investigations of a Self-Trimming Non-Planar Wing [retrieved Oct. 26, 2022]. Retrieved from internet, <https://www.semanticscholar.org/paper/AEROELASTIC-INVESITIGATIONS-OF-A-SELF-TRIMMING-WING-Kling-Gologan/da8f7236761b0fa200908ebddf7a8be4ba83cbf8> (Year: 2014).*

* cited by examiner

Primary Examiner — Christian P. McLean

Assistant Examiner — Jessica Lynn Devilbiss

(74) *Attorney, Agent, or Firm* — Morland C. Fischer

(57) **CLAIM**

The ornamental design for an aircraft, as shown and described.

DESCRIPTION

FIG. 1 is a perspective view showing the front, top and left side of an aircraft which forms my new design;

FIG. 2 is a top plan view thereof;

FIG. 3 is a left side elevational view thereof;

FIG. 4 is a right side elevational view thereof;

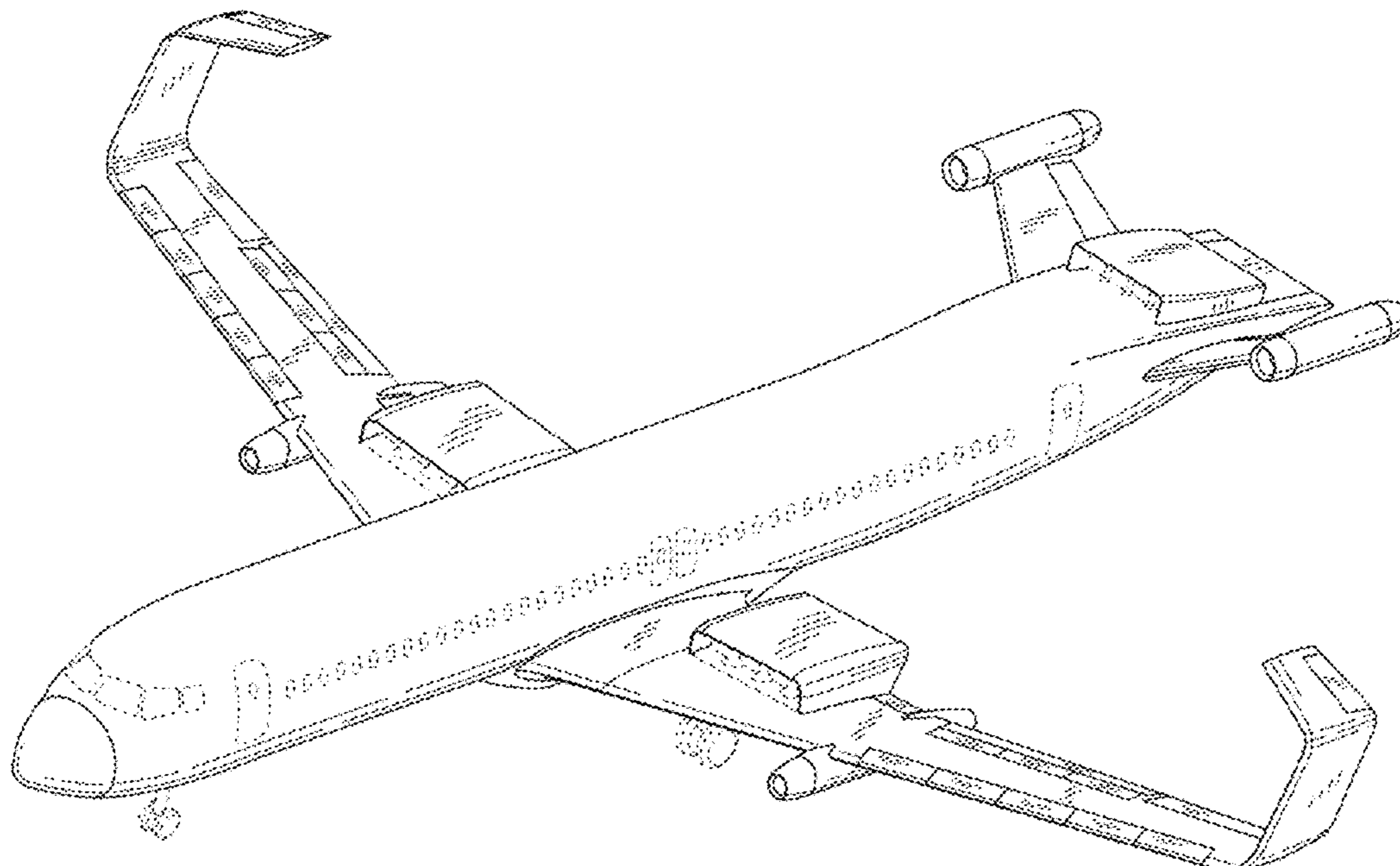
FIG. 5 is a bottom plan view thereof;

FIG. 6 is a front elevational view thereof; and,

FIG. 7 is a rear elevational view thereof.

The broken lines in the drawings depict portions of the aircraft that form no part of the claimed design.

1 Claim, 5 Drawing Sheets



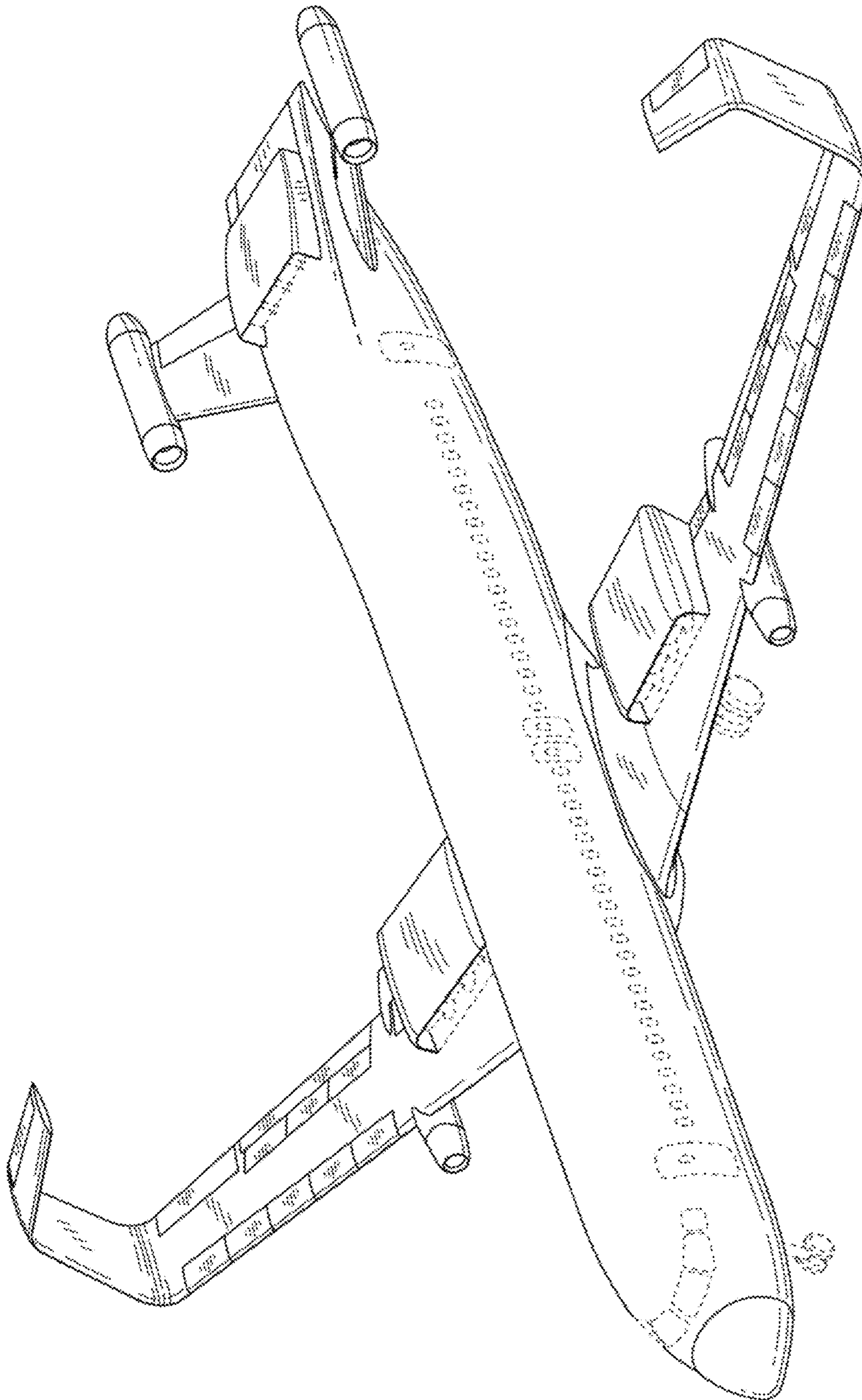


FIG. 1

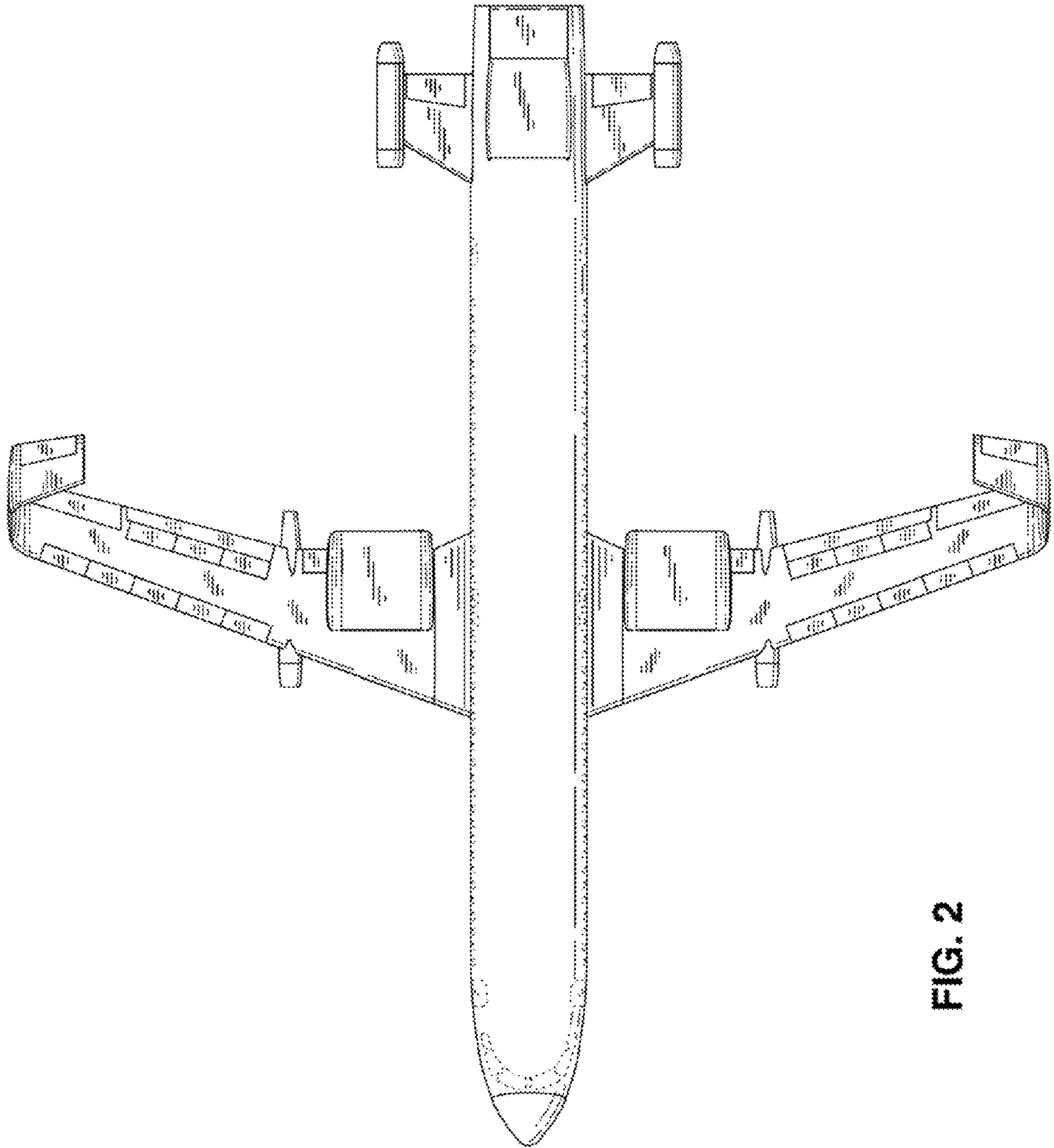


FIG. 2

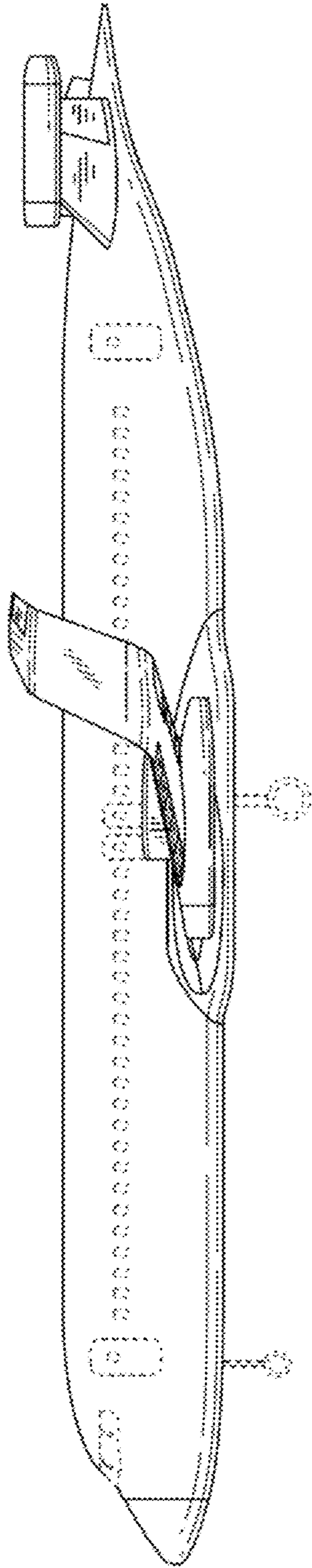


FIG. 3

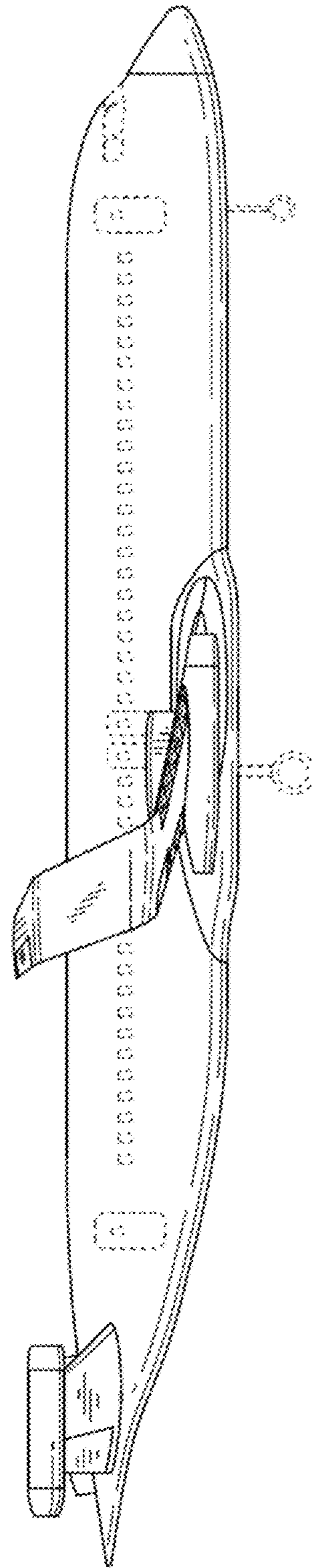


FIG. 4

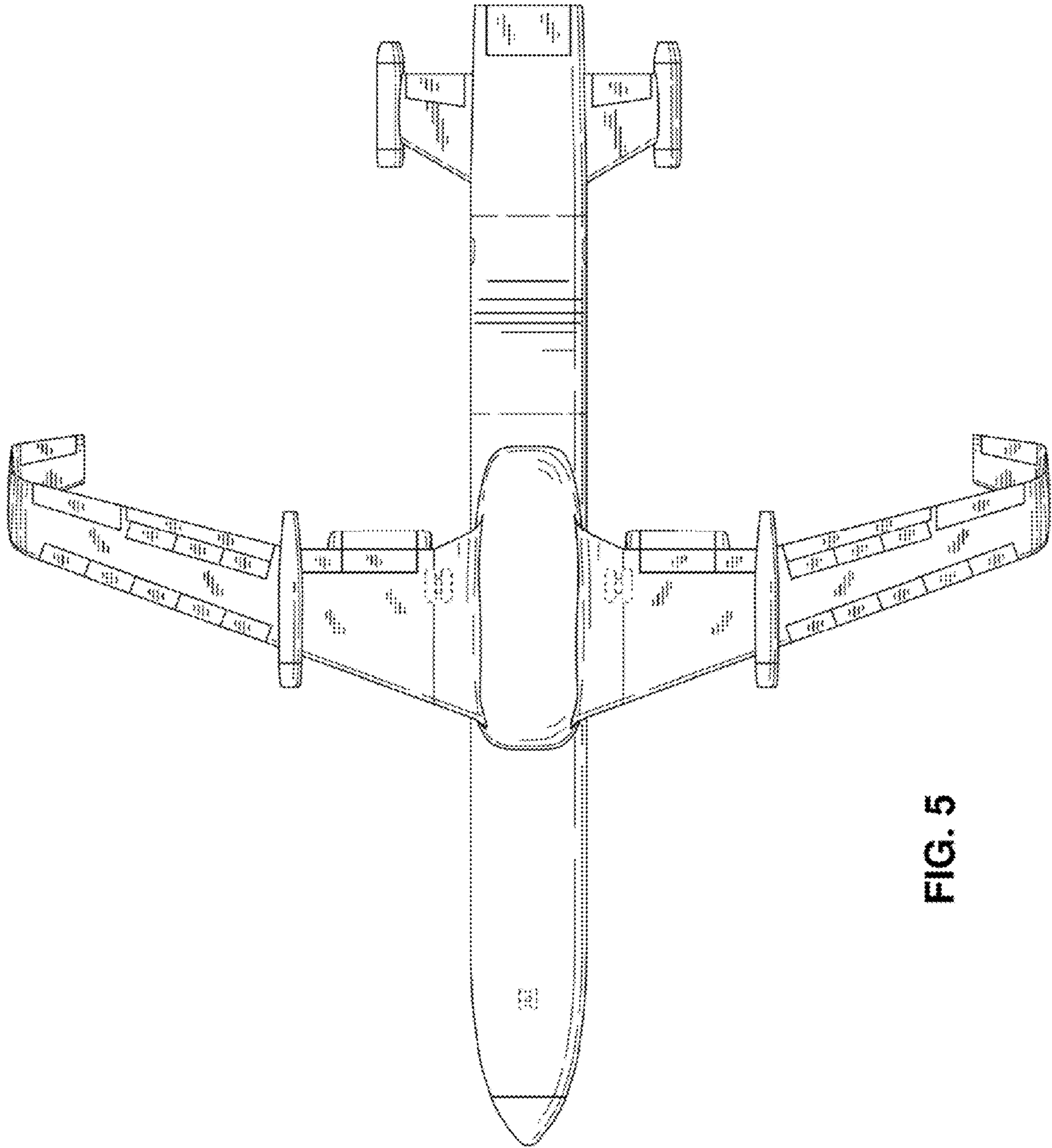


FIG. 5

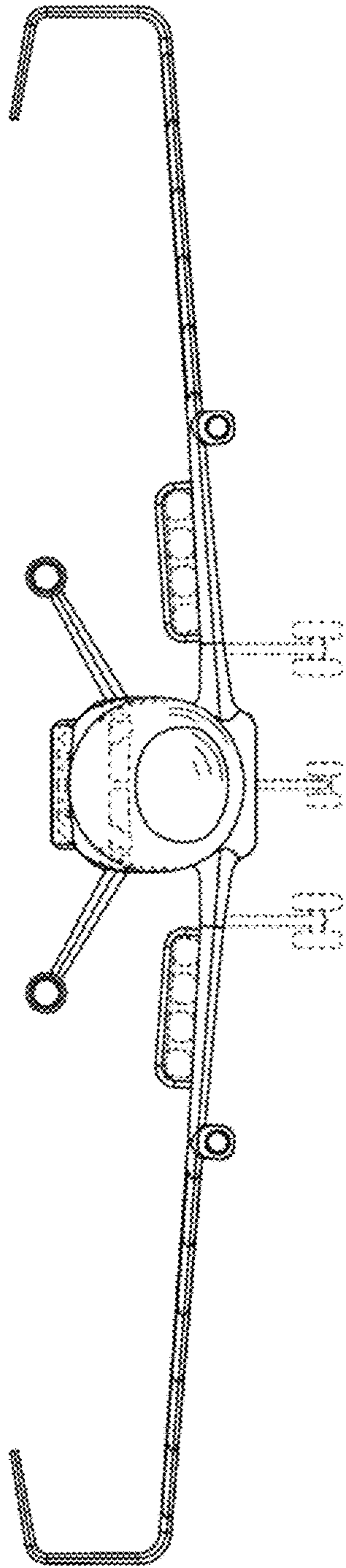


FIG. 6

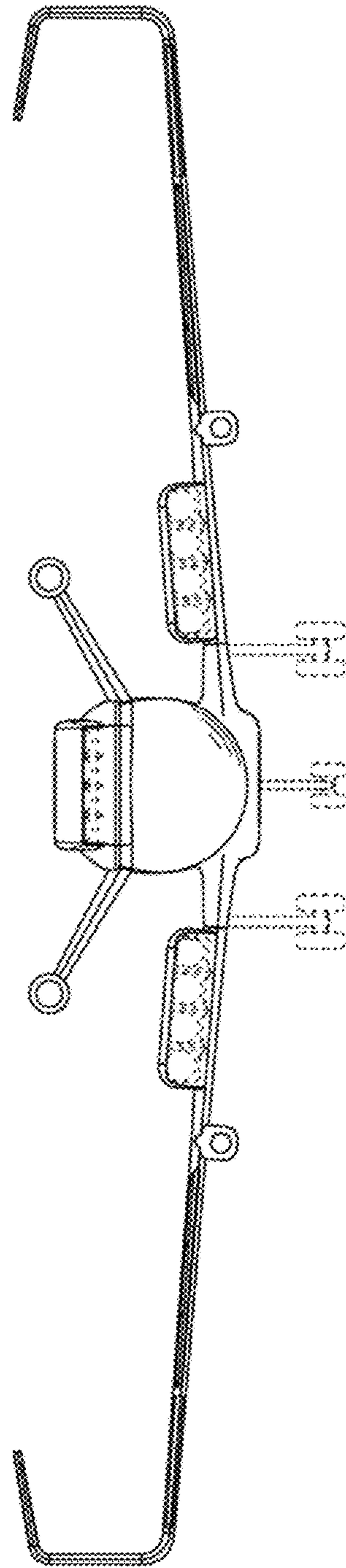


FIG. 7