



US00D976798S

(12) **United States Design Patent**  
**Miller**

(10) **Patent No.:** **US D976,798 S**

(45) **Date of Patent:** **\*\* Jan. 31, 2023**

(54) **FLOTATION DEVICE FOR VESSEL**

(71) Applicant: **Michael Miller**, Russell's Point, OH  
(US)

(72) Inventor: **Michael Miller**, Russell's Point, OH  
(US)

(\*\*) Term: **15 Years**

(21) Appl. No.: **29/748,768**

(22) Filed: **Sep. 1, 2020**

(51) **LOC (14) Cl.** ..... **12-06**

(52) **U.S. Cl.**  
USPC ..... **D12/317**

(58) **Field of Classification Search**  
USPC ..... D12/300, 304, 310, 313, 314, 315, 316,  
D12/317, 318  
CPC ..... B63B 1/121; B63B 1/125; B63B 35/34;  
B63B 35/36; B63B 35/38  
See application file for complete search history.

(56) **References Cited**

**U.S. PATENT DOCUMENTS**

5,184,561	A	2/1993	Nickell, Jr.	
5,355,825	A *	10/1994	Lefebvre	B63B 35/34 114/263
5,435,260	A	7/1995	Granie et al.	
D362,835	S *	10/1995	Dinsdale	D12/304
5,522,333	A	6/1996	Lang et al.	
5,540,169	A	7/1996	David et al.	
5,784,977	A	7/1998	Schell et al.	
6,708,642	B1	3/2004	Taylor	
6,755,142	B2	6/2004	Rice	
6,786,165	B2	9/2004	Trepanier	
D520,935	S *	5/2006	Schoell	D12/317
7,240,634	B1	7/2007	Hoge, Jr.	
7,870,830	B2	1/2011	Bogard et al.	
7,950,340	B1	5/2011	Curtis	
7,987,803	B2	8/2011	Cochran	
8,186,291	B1	5/2012	Curtis	

8,820,255	B1 *	9/2014	Poppell	B63B 35/34 114/61.18
D731,392	S *	6/2015	Bleie	D12/300
9,376,166	B2	6/2016	Raiter et al.	
9,403,585	B2 *	8/2016	Arad	B63H 16/20
9,475,548	B1	10/2016	Slocum	
9,580,149	B2 *	2/2017	Poppell	B60P 3/1033

(Continued)

**OTHER PUBLICATIONS**

Harris Boats. (2016). Pontoon boat center tube options: Choosing a Harris pontoon performance package. Retrieve Jun. 19, 2020 from: <https://www.harrisboats.com/tips-tricks-news/center-tube-options-choosing-a-harris-pontoon-performance-package.html>.

Manitou. Sport handling package (SHP): Manitou pontoon boats. Retrieved Jun. 19, 2020 from: <https://www.manitoupontoonboats.com/performance/shp/>.

(Continued)

*Primary Examiner* — Cynthia M. Chin

(74) *Attorney, Agent, or Firm* — Carlson, Gaskey & Olds, P.C.

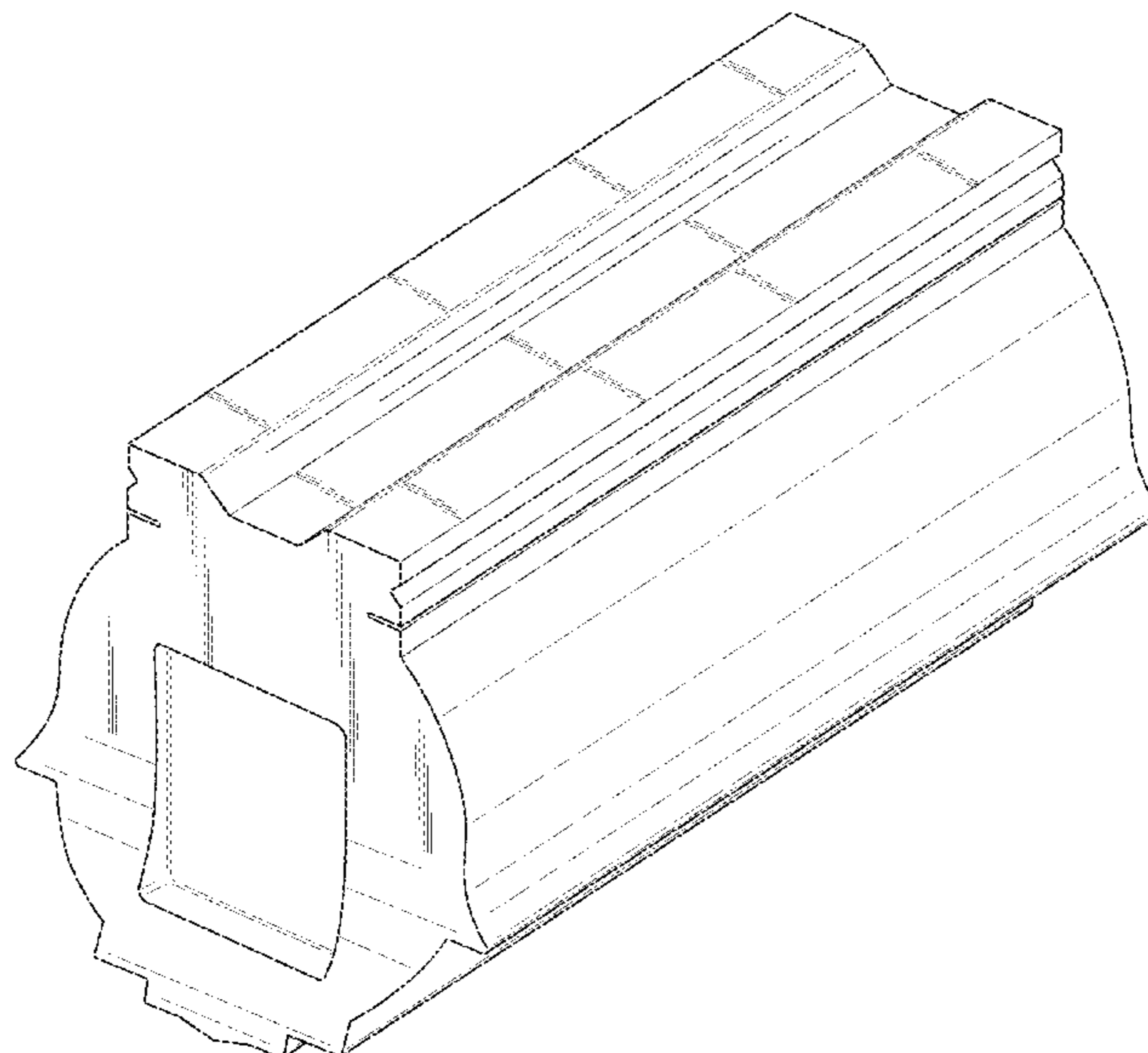
(57) **CLAIM**

The ornamental design for a flotation device for vessel, as shown and described.

**DESCRIPTION**

FIG. 1 is a perspective view of a flotation device for a vessel; FIG. 2 is a front view of the flotation device of FIG. 1; FIG. 3 is a back view of the flotation device of FIG. 1; FIG. 4 is a first side view of the flotation device of FIG. 1; FIG. 5 is a second side view of the flotation device of FIG. 1; FIG. 6 is a top view of the flotation device of FIG. 1; and, FIG. 7 is a bottom view of the flotation device of FIG. 1. The broken lines shown are included for the purpose of illustrating portions of the article which form no part of the claimed design.

**1 Claim, 6 Drawing Sheets**



(56)

**References Cited**

## U.S. PATENT DOCUMENTS

9,796,457 B2 \* 10/2017 Tacon ..... B29C 41/20  
 D850,355 S \* 6/2019 Lammerts ..... D12/1  
 10,556,643 B2 2/2020 Carlisle  
 10,589,823 B1 3/2020 Fenech et al.  
 10,717,497 B2 \* 7/2020 Yoder ..... B63B 1/14  
 10,850,807 B2 \* 12/2020 Neibert ..... B63B 3/04  
 10,894,586 B2 \* 1/2021 Miller ..... B63B 73/00  
 11,091,234 B1 \* 8/2021 Rose ..... B63B 35/34  
 2009/0031939 A1 2/2009 Fishburn  
 2009/0301376 A1 12/2009 Hoover et al.  
 2015/0210357 A1 7/2015 Raiter et al.  
 2018/0312230 A1 11/2018 Zolotuhin  
 2019/0023352 A1 \* 1/2019 Rath, Jr. .... B63B 35/58  
 2020/0115011 A1 4/2020 Sporing  
 2021/0316820 A1 \* 10/2021 Neidert ..... B63B 1/121

## OTHER PUBLICATIONS

Serio, T. (2017). The hull story. Boating World Magazine. Retrieved Jun. 19, 2020 from <https://www.boatingworld.com/feature-stories/the-hull-story/>.

Roberts, B. Toon'ed into your future. Power Boating Canada. Retrieved Jun. 19, 2020 from: <https://powerboating.com/tooned-into-your-future/>.

Product Brochure. 24-inch diameter modular plastic pontoons. Wilson Pontoons, Inc.

Wilson Pontoons, Inc. 24-inch diameter modular plastic pontoons. Retrieved Jun. 19, 2020 from: <https://plasticpontoon.com/24-inch-diameter-pontoons/>.

Wilson Pontoons, Inc. Our Products. Retrieved Jun. 19, 2020 from: <https://plasticpontoon.com/products/>.

\* cited by examiner

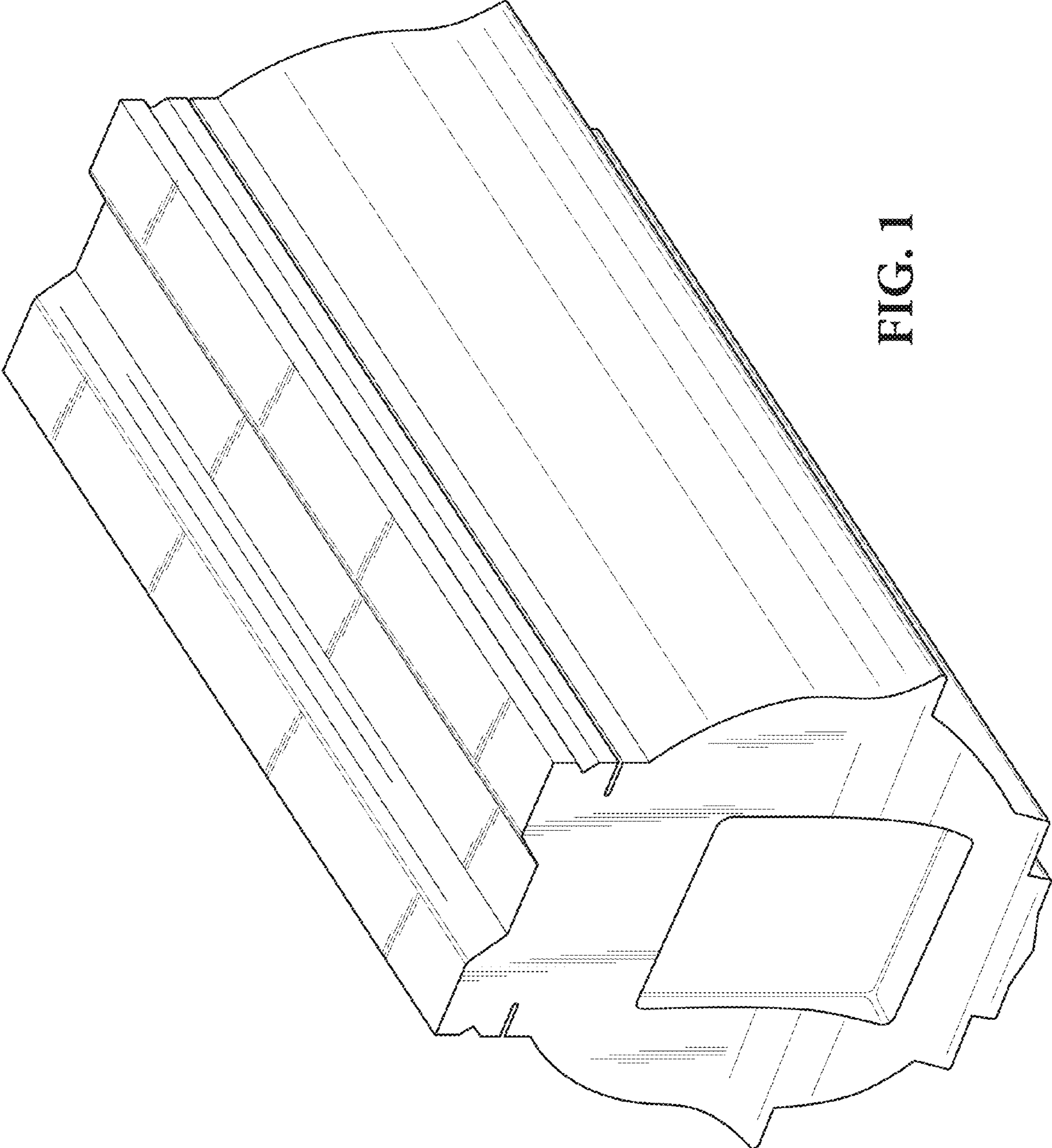


FIG. 1

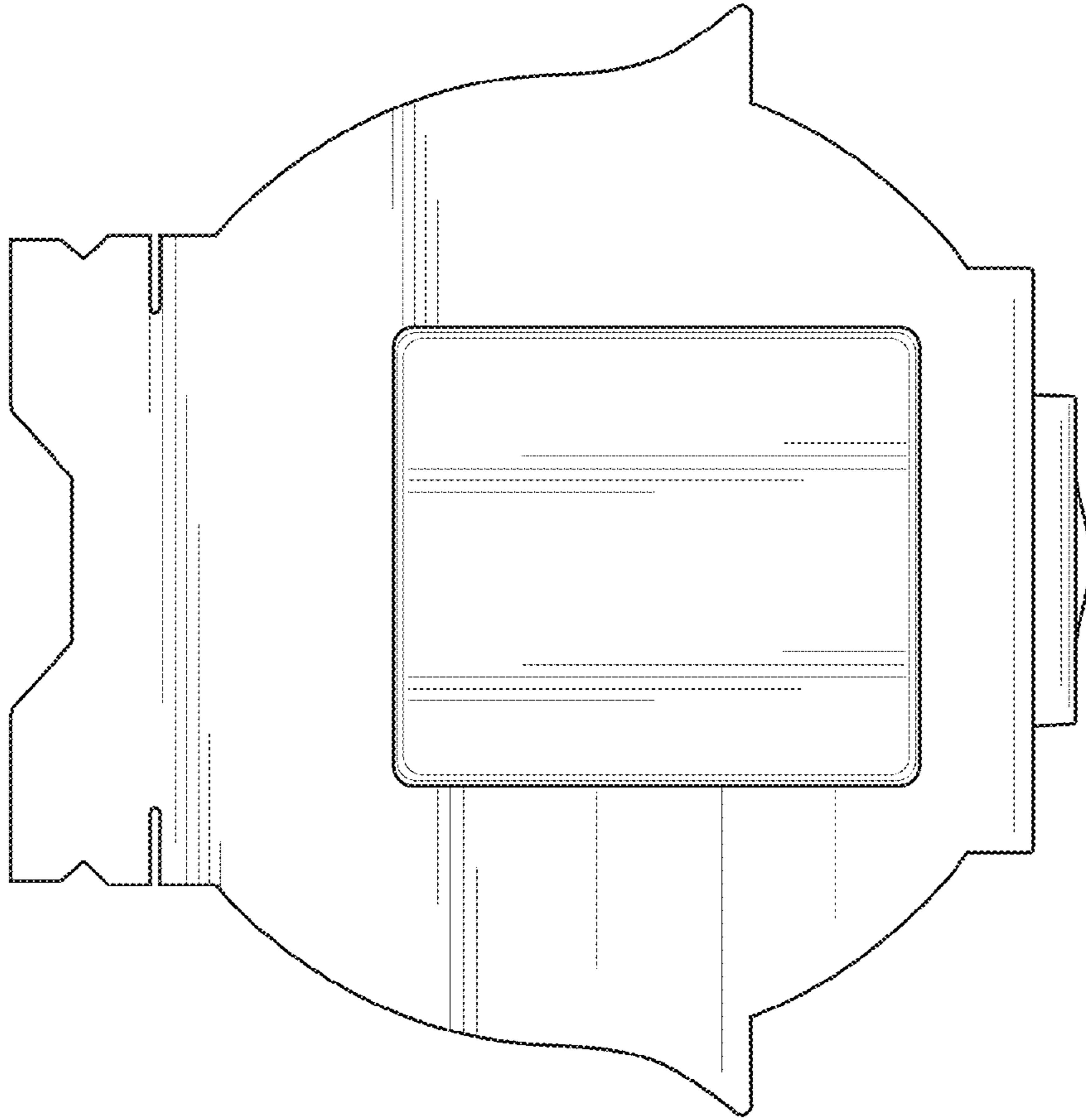


FIG. 3

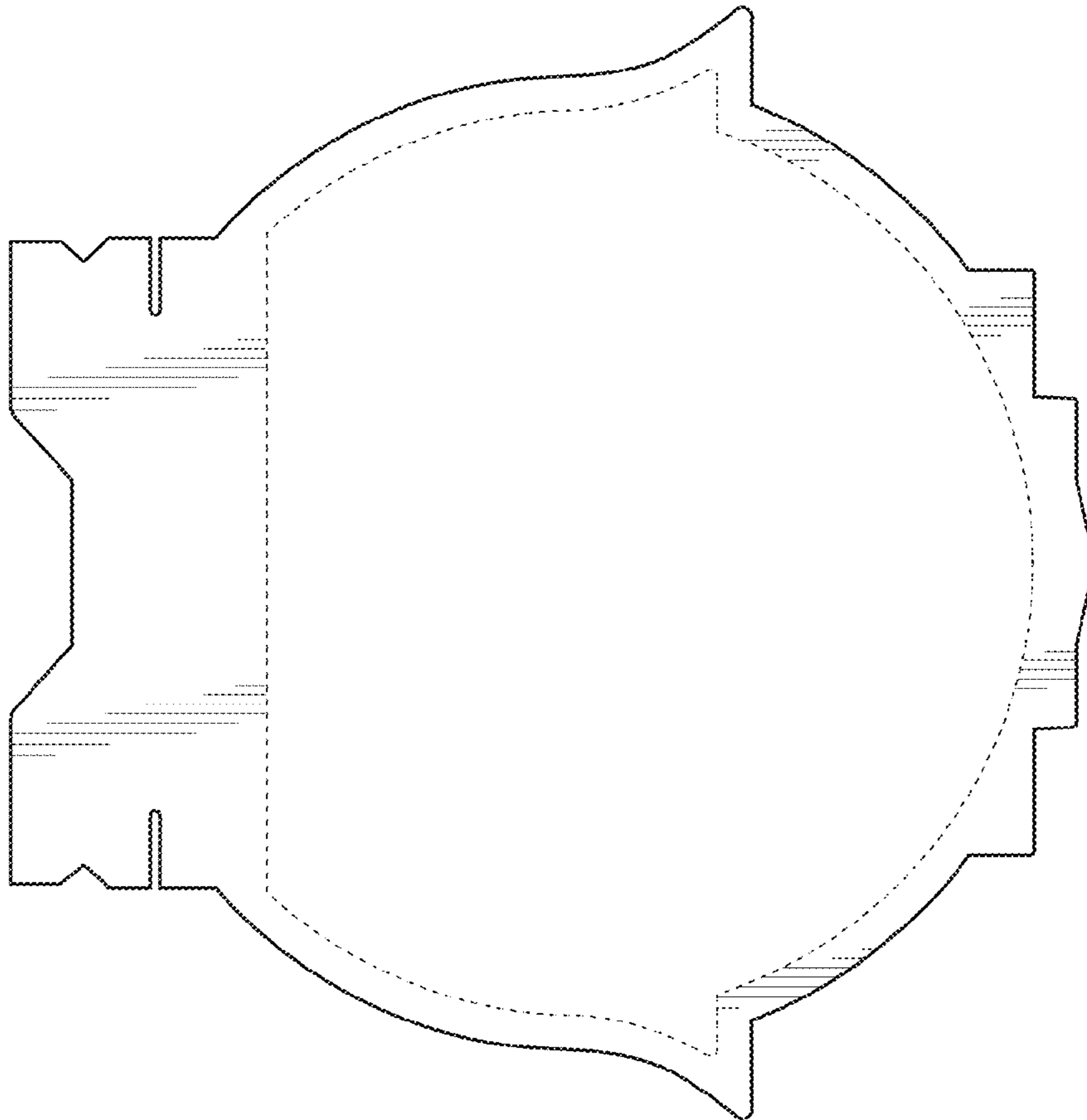


FIG. 2.

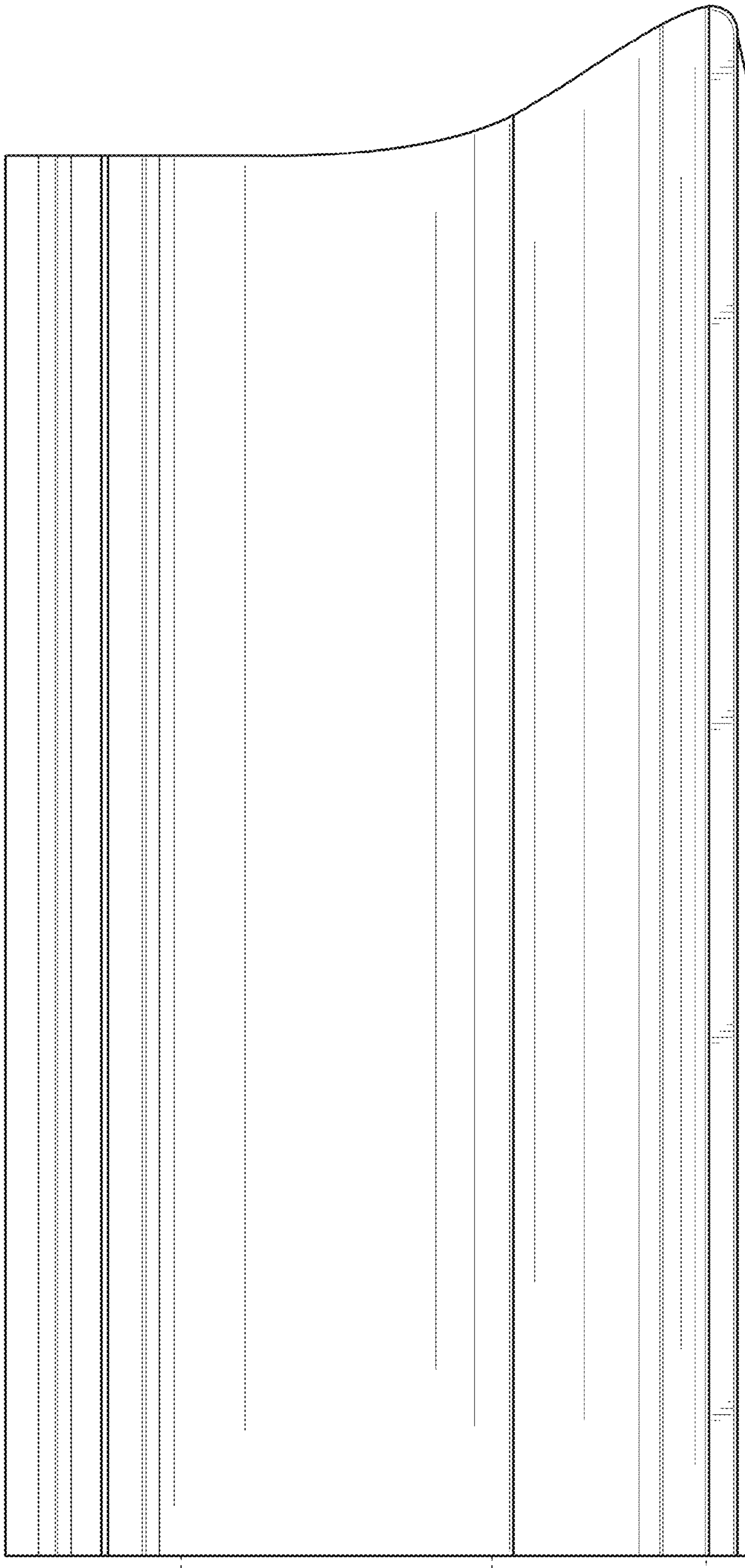


FIG. 4

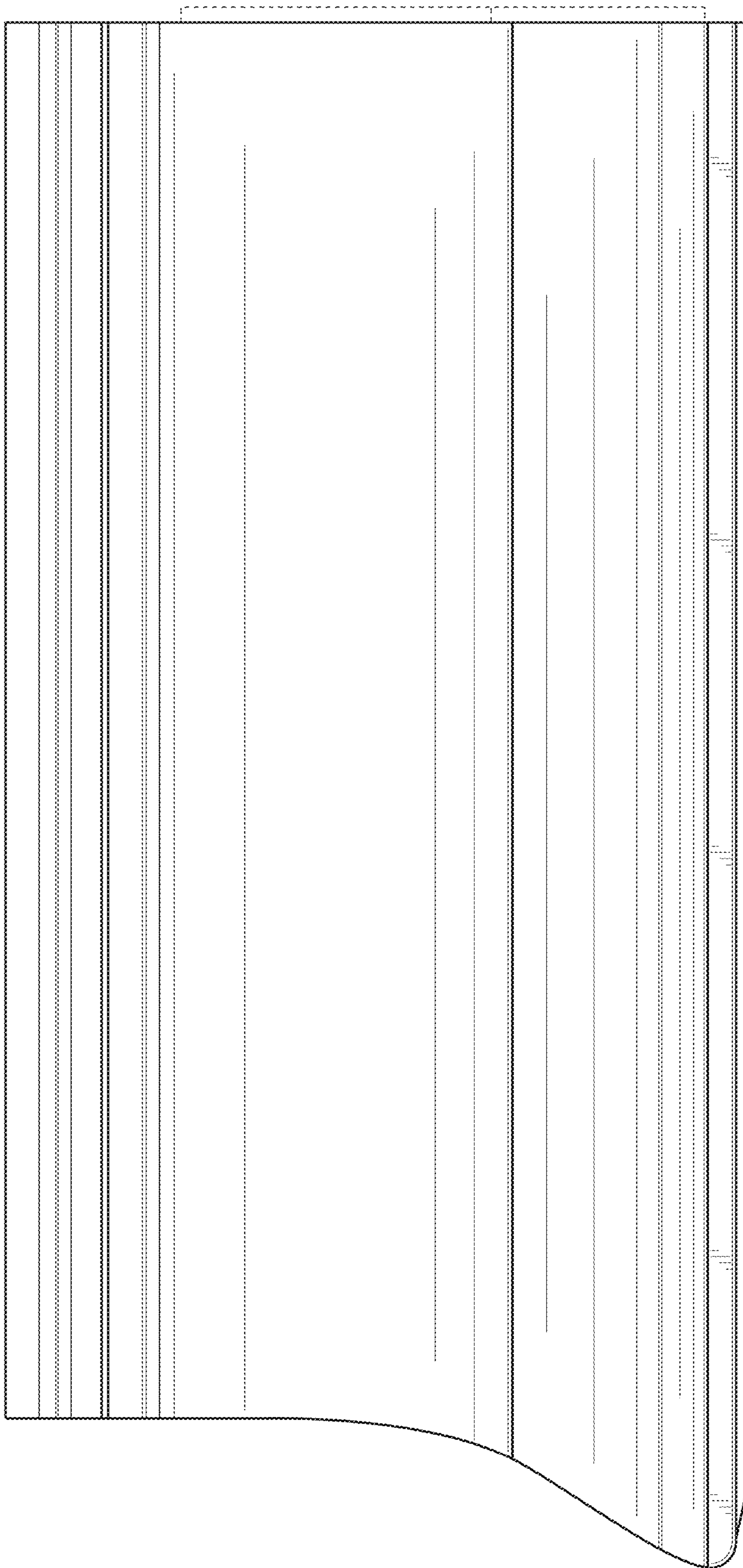


FIG. 5

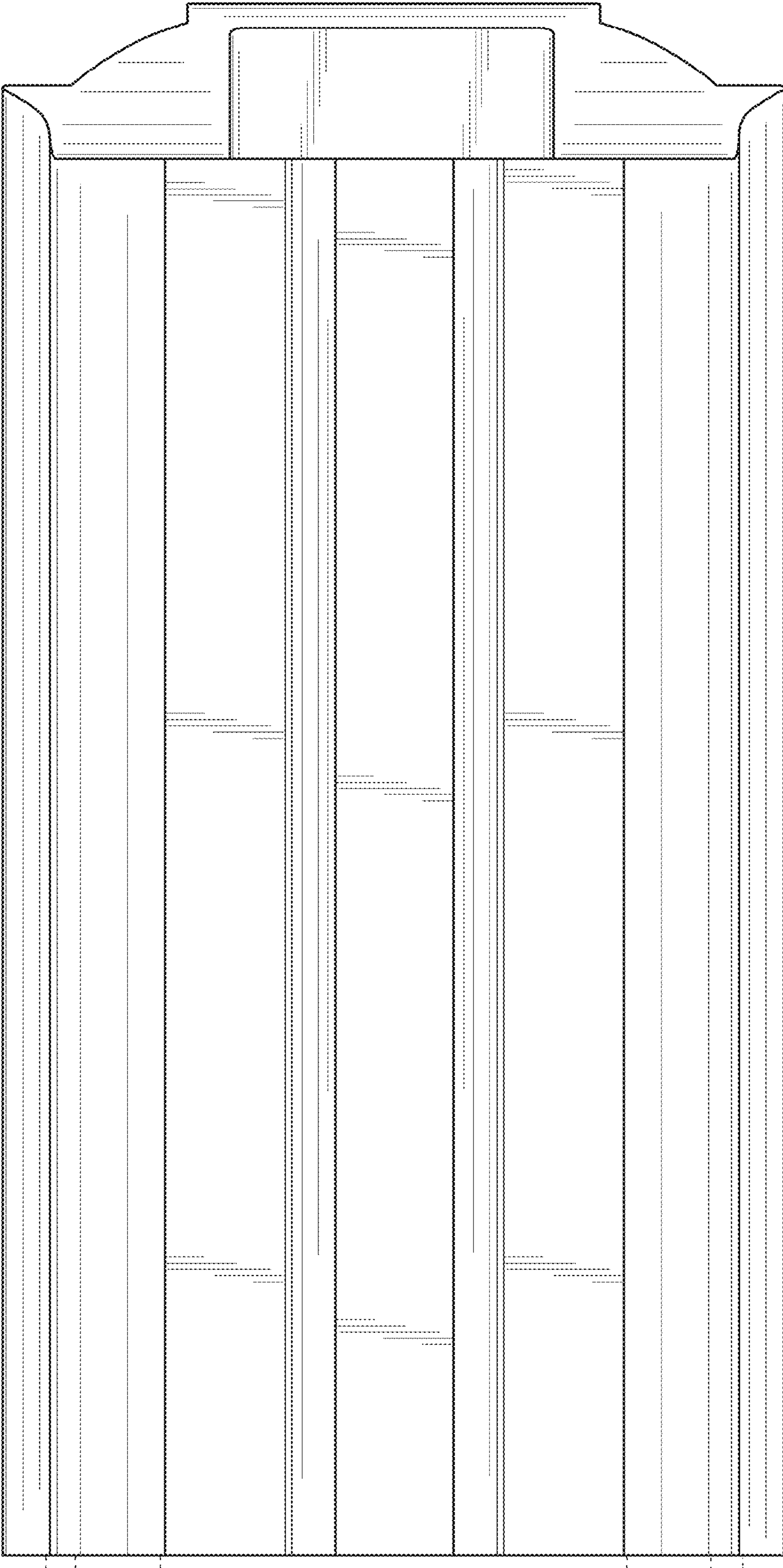


FIG. 6

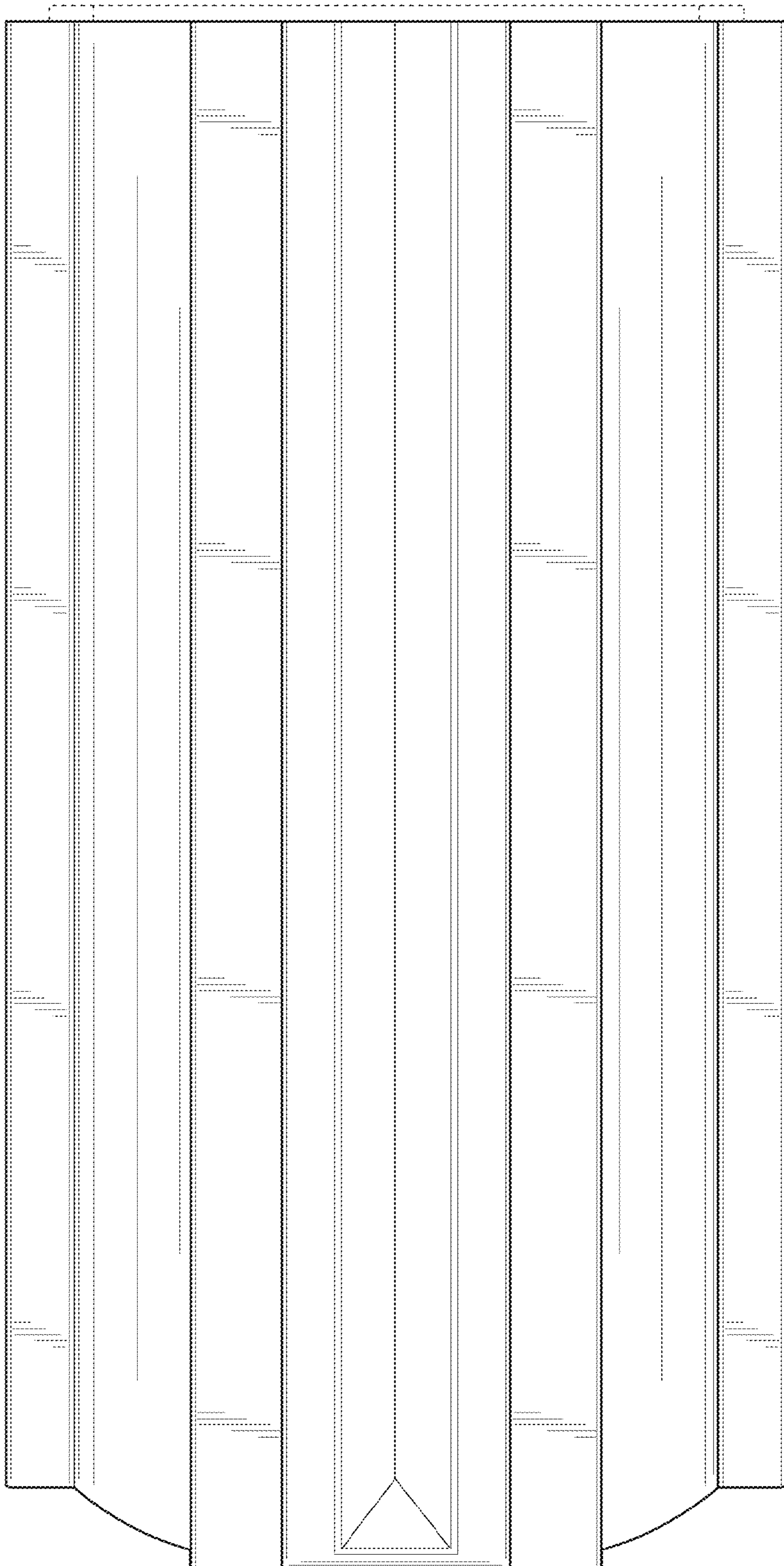


FIG. 7