



US00D976796S

(12) **United States Design Patent**
Wei et al.

(10) **Patent No.:** **US D976,796 S**
(45) **Date of Patent:** **** Jan. 31, 2023**

(54) **UNDERWATER SCOOTER**

8,235,124 B2 *	8/2012	Cuiper	E21B 19/002
				166/368
D866,445 S *	11/2019	Wu	D12/308
D869,373 S *	12/2019	Wei	D12/308
D887,947 S *	6/2020	Ma	D12/308
D892,708 S *	8/2020	Chen	D12/308
D897,267 S *	9/2020	Wei	D12/308
D901,364 S *	11/2020	Tu	D12/308
D917,372 S *	4/2021	Zhang	D12/308

(71) Applicant: **SUBLUE UNDERWATER AI CO., LTD.**, Tianjin (CN)

(72) Inventors: **Jianchang Wei**, Tianjin (CN);
Chunjiang Tian, Tianjin (CN)

(73) Assignee: **SUBLUE UNDERWATER AI CO., LTD.**, Tianjin (CN)

(**) Term: **15 Years**

(21) Appl. No.: **29/755,737**

(22) Filed: **Oct. 22, 2020**

(30) **Foreign Application Priority Data**

Apr. 24, 2020 (CN) 202030174424.6

(51) **LOC (14) Cl.** **12-06**

(52) **U.S. Cl.**
USPC **D12/308**

(58) **Field of Classification Search**
USPC D12/308, 317; D21/545, 801
CPC B63C 11/00; B63C 11/02; B63C 11/36;
B63C 11/46; B63C 11/48; B63C 11/49;
B63C 2011/028; B63G 8/00; B63G
8/001; B63G 8/002; B63G 8/08; B63G
8/41; B63G 8/42; B63B 2008/002; B63B
2008/004; B63B 3/13; B63B 1/107
See application file for complete search history.

(56) **References Cited**

U.S. PATENT DOCUMENTS

D242,615 S * 12/1976 Henning D12/308
D449,868 S * 10/2001 Rogers D21/810

* cited by examiner

Primary Examiner — Cynthia M. Chin

(74) *Attorney, Agent, or Firm* — Young Basile Hanlon & MacFarlane, P.C.

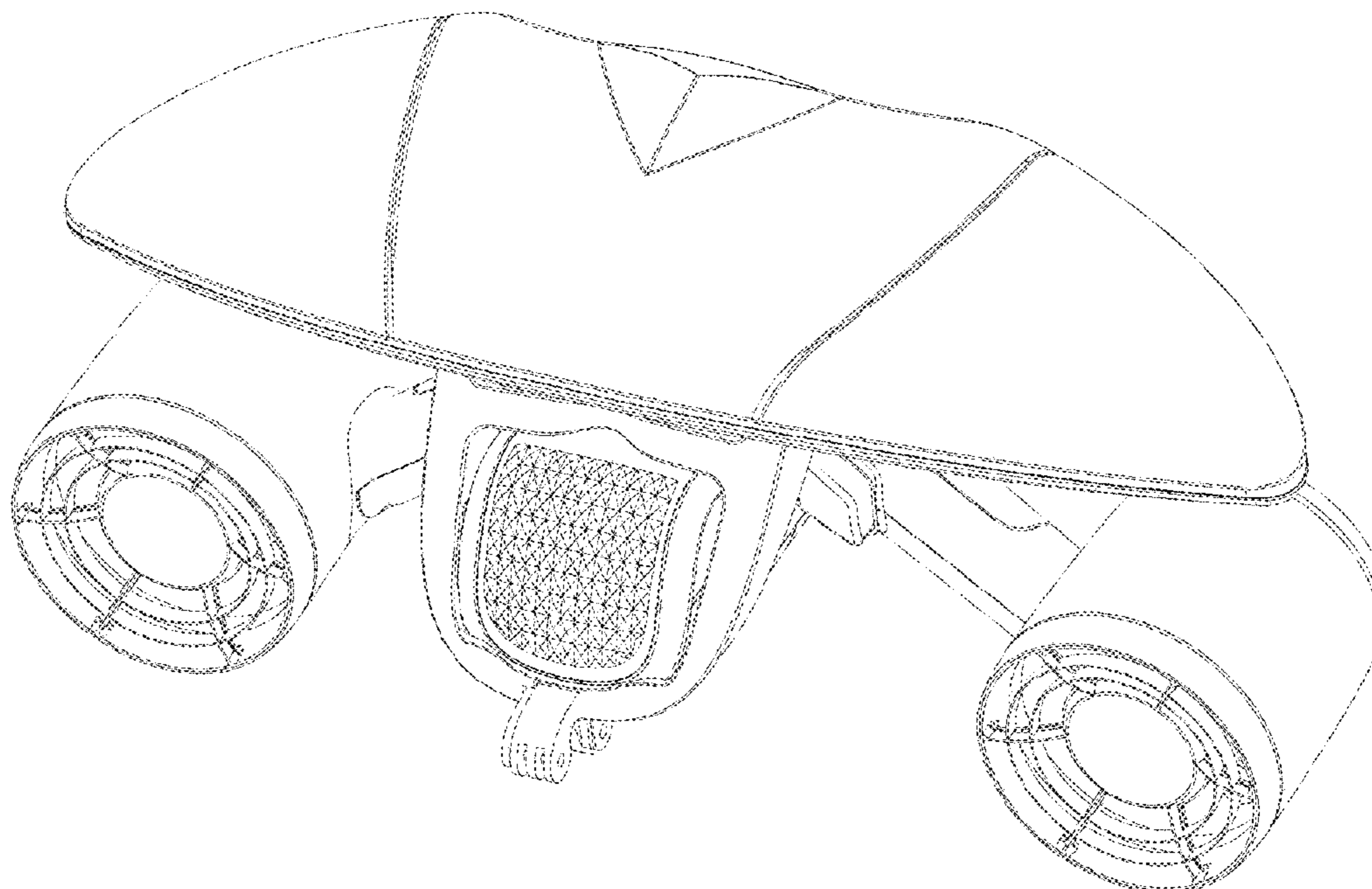
(57) **CLAIM**

The ornamental design for an underwater scooter, as shown and described.

DESCRIPTION

FIG. 1 is a front view of an underwater scooter showing our new design;
FIG. 2 is a rear view thereof;
FIG. 3 is a left side view thereof;
FIG. 4 is a right side view thereof;
FIG. 5 is a top view thereof;
FIG. 6 is a bottom view thereof; and,
FIG. 7 is a perspective view thereof.
The broken lines are for the purpose of illustrating portions of the article that form no part of the claim.

1 Claim, 7 Drawing Sheets



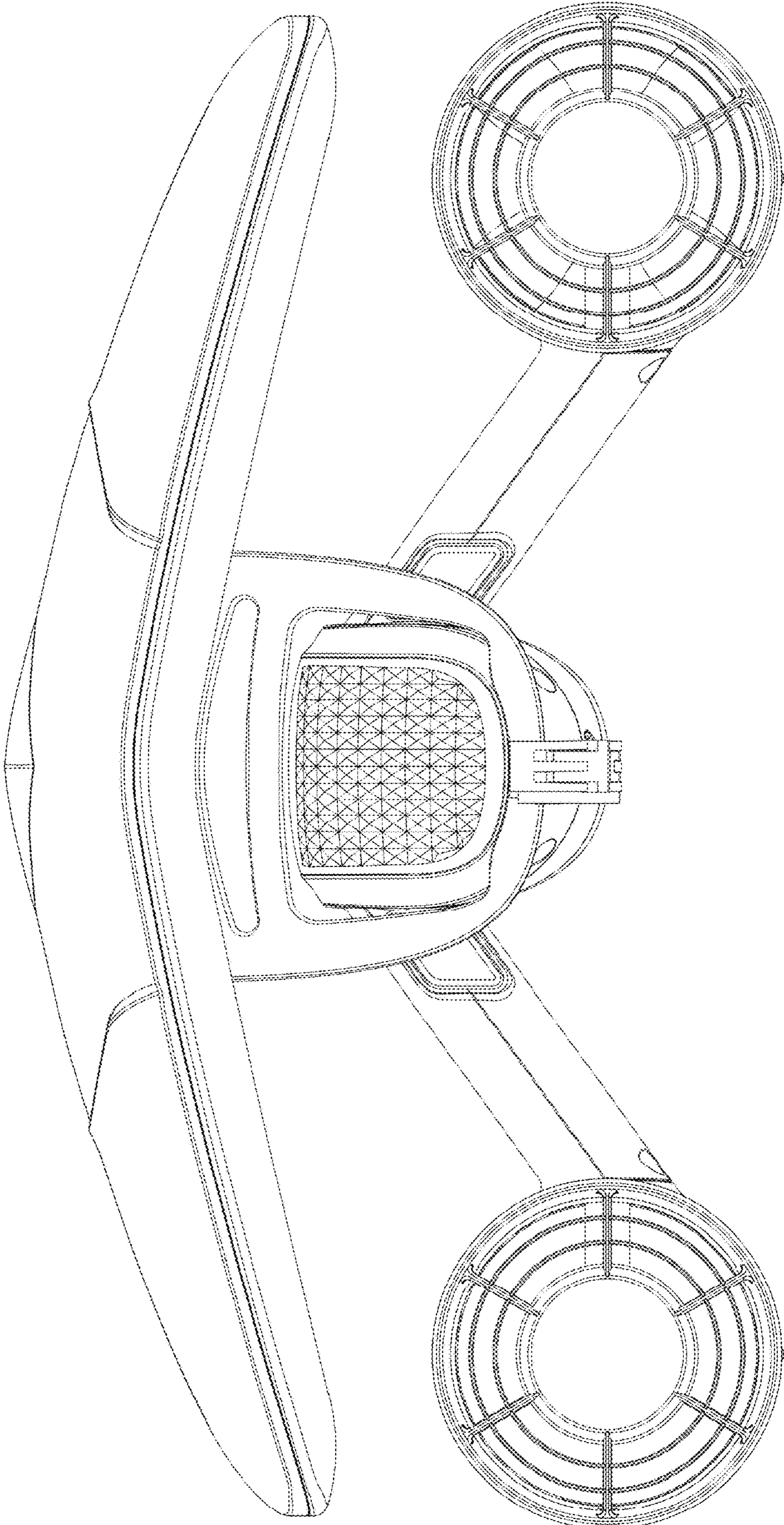


FIG. 1

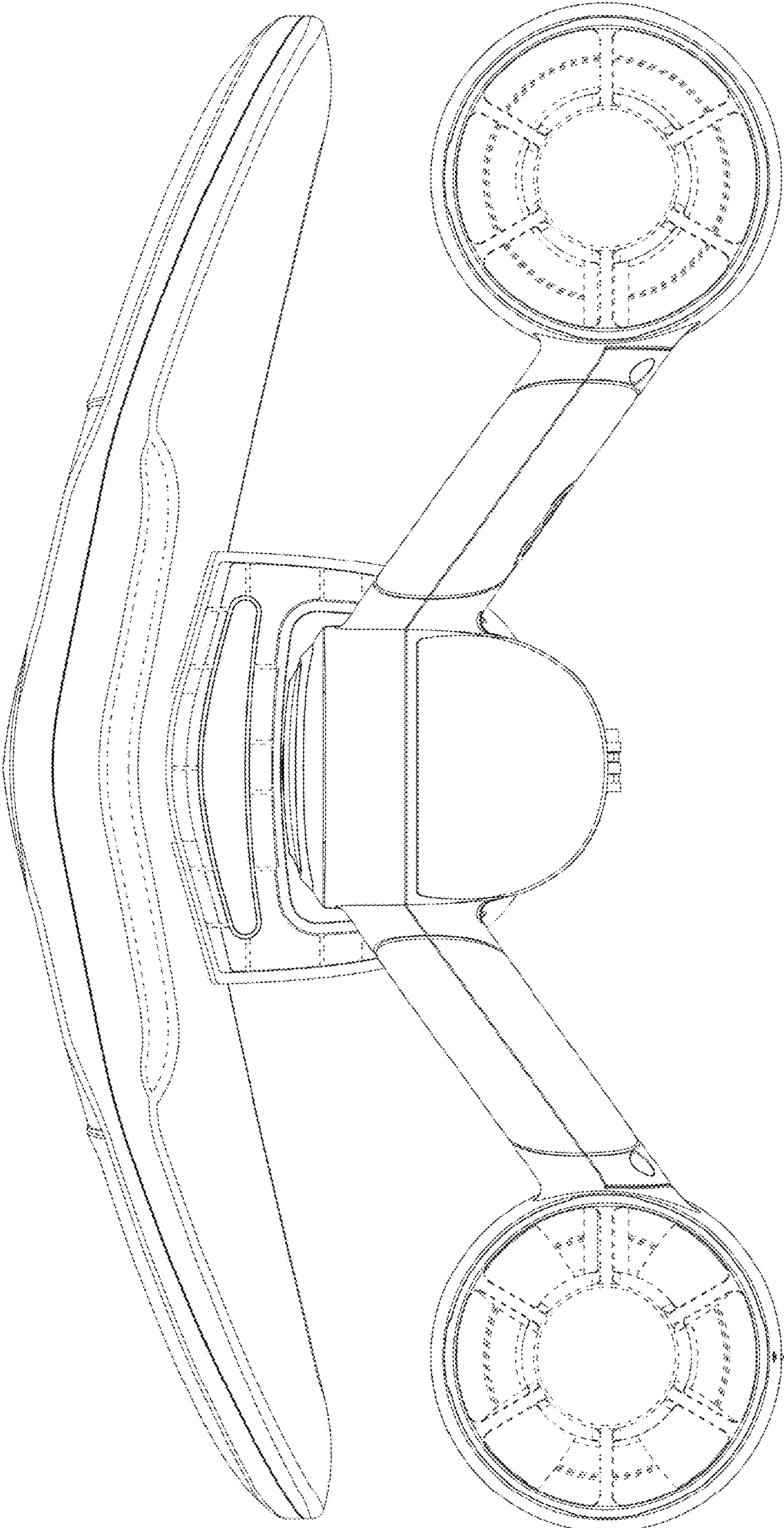


FIG. 2

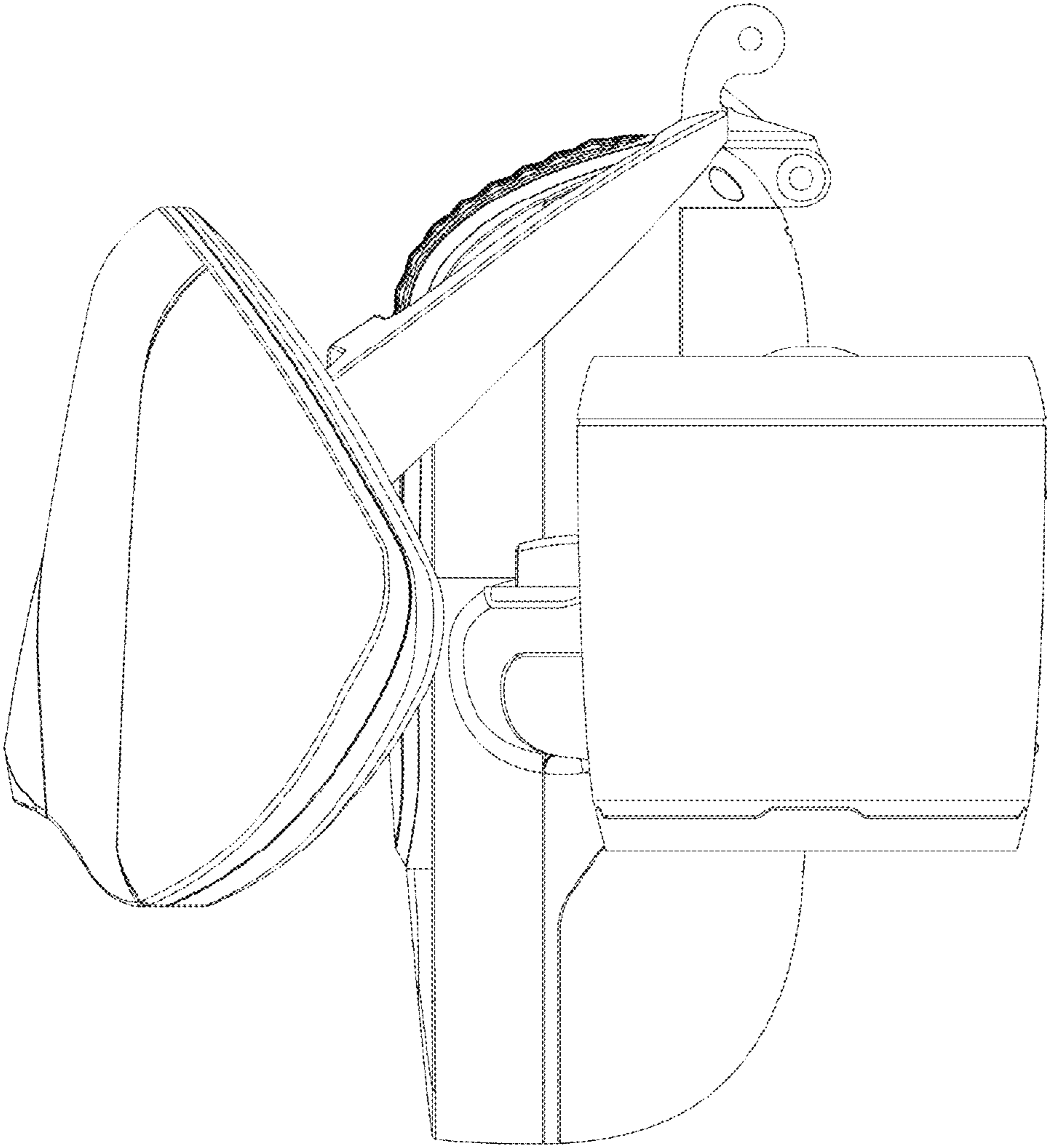


FIG. 3

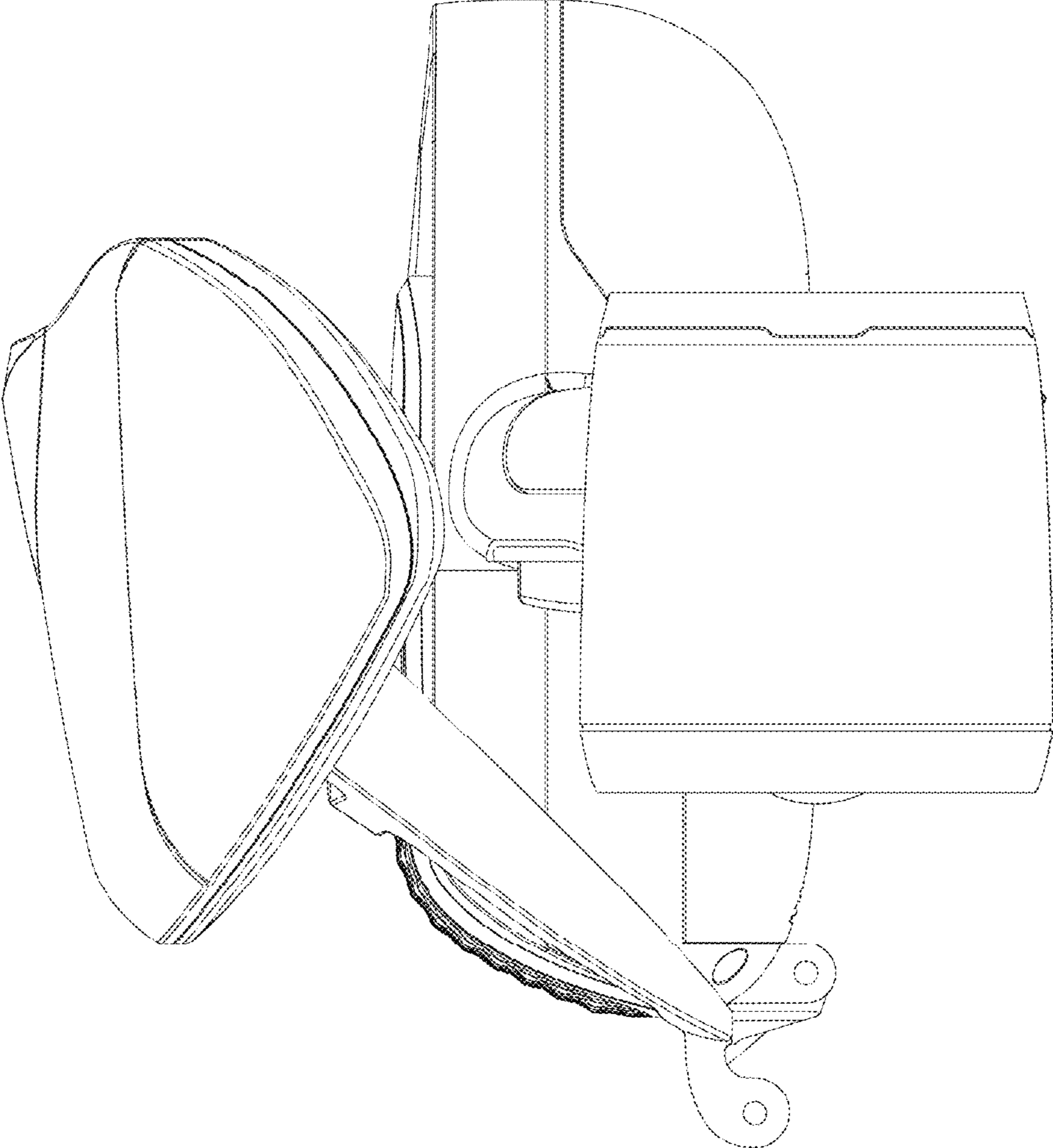


FIG. 4

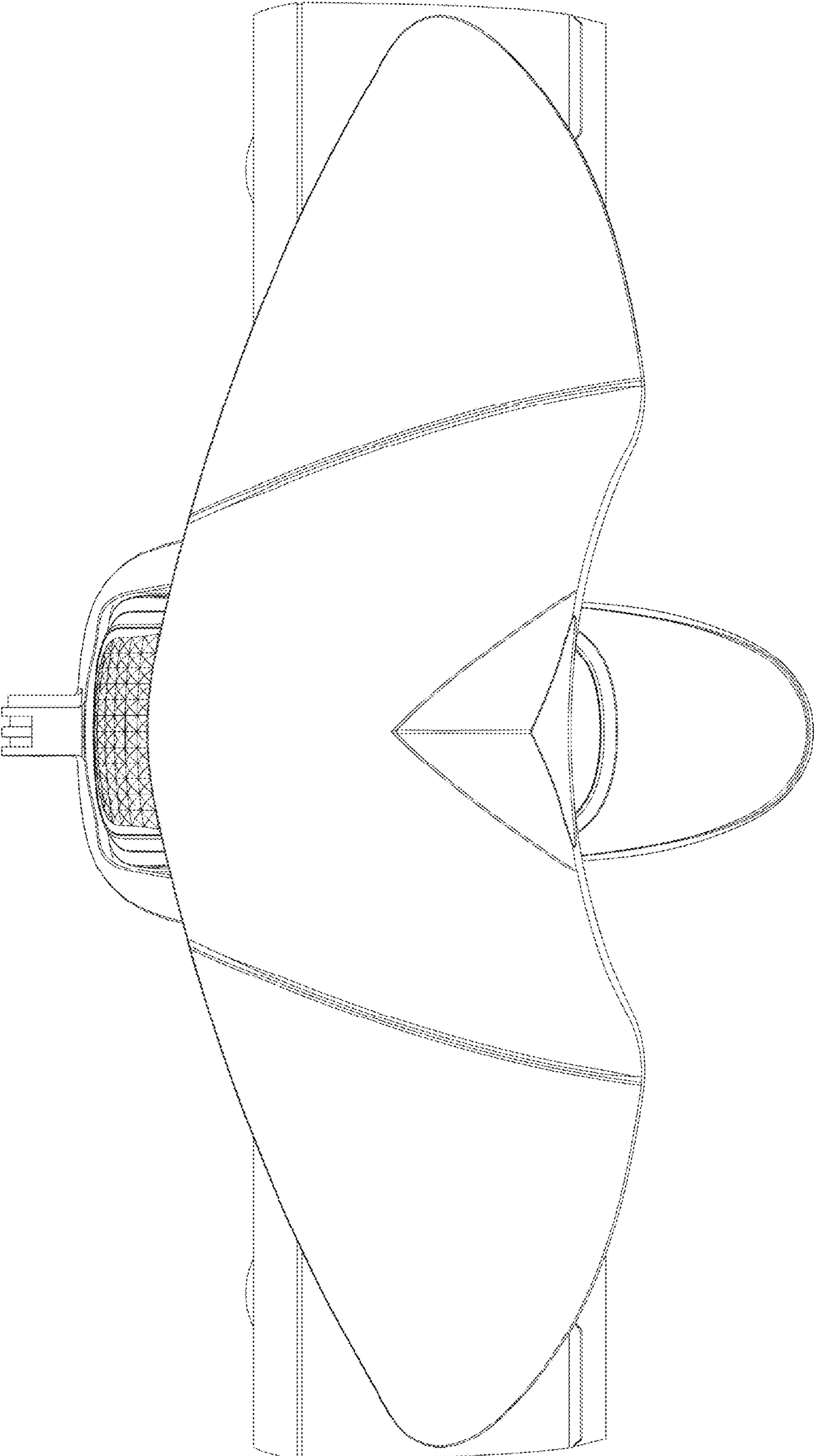


FIG. 5

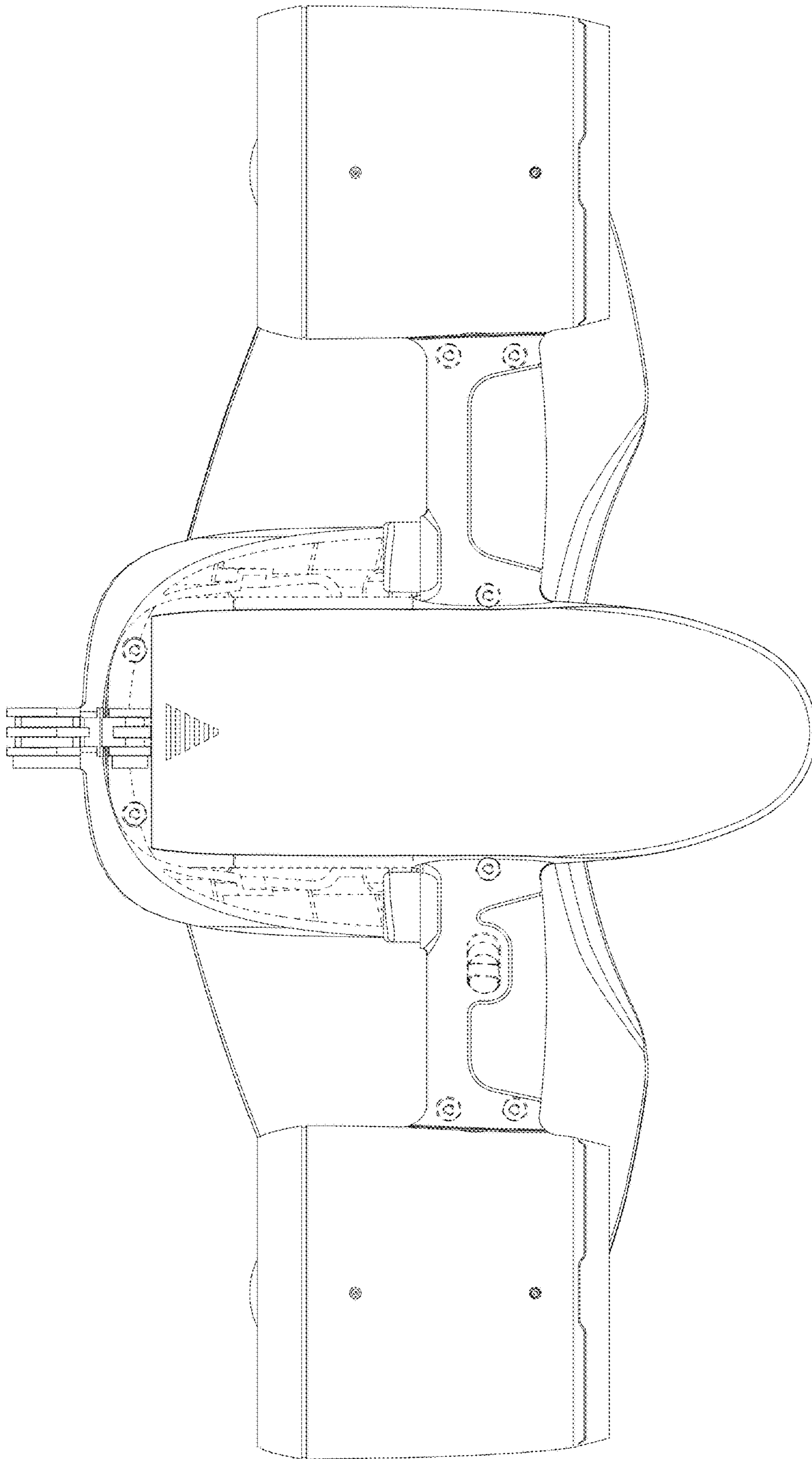


FIG. 6

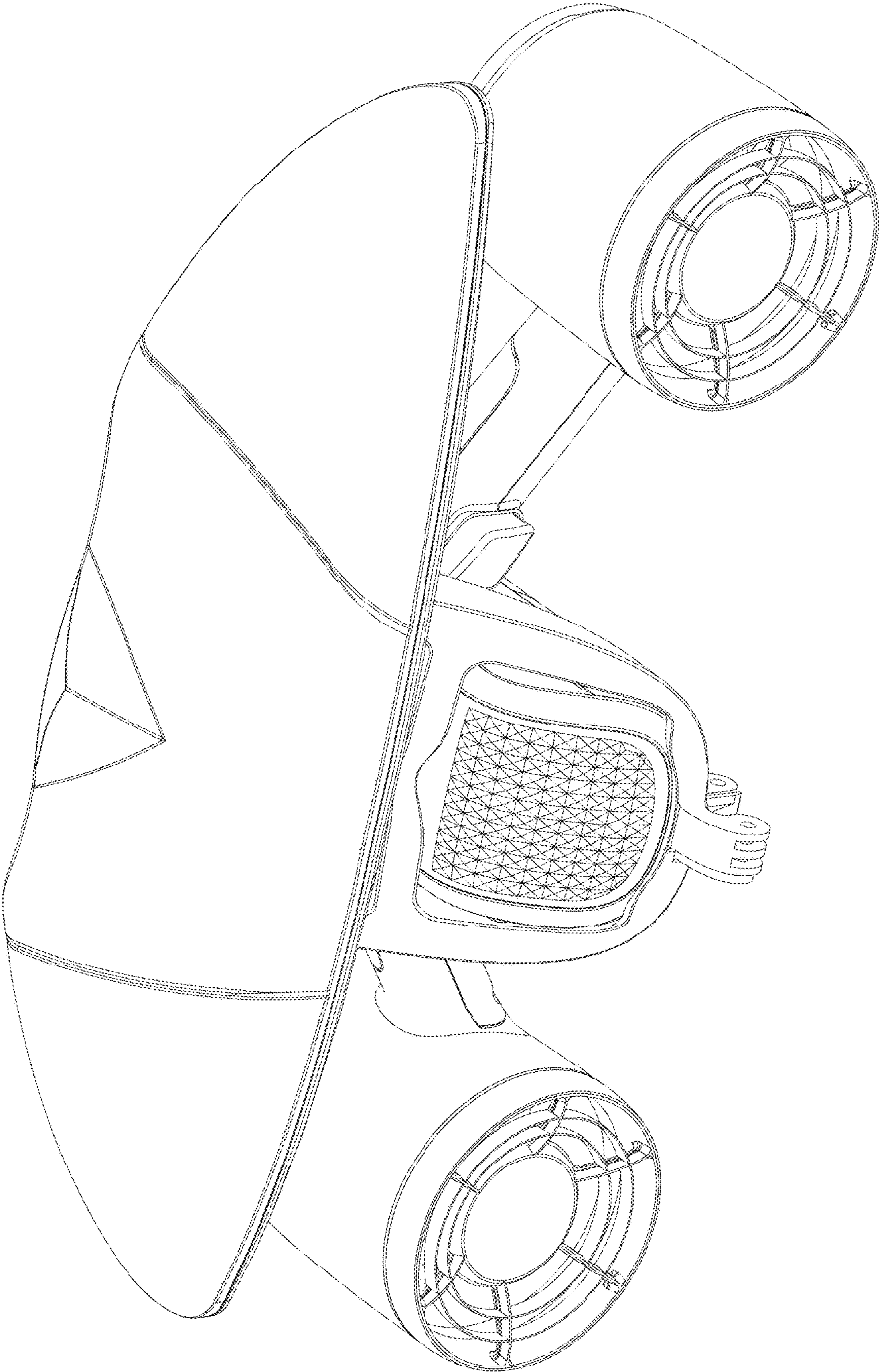


FIG. 7