



US00D976795S

(12) **United States Design Patent**  
**Wei et al.**

(10) **Patent No.:** **US D976,795 S**  
(45) **Date of Patent:** **\*\* Jan. 31, 2023**

(54) **BUOYANCY CHAMBER**

(71) Applicant: **SUBLUE UNDERWATER AI CO., LTD.**, Tianjin (CN)

(72) Inventors: **Jianchang Wei**, Tianjin (CN);  
**Chunjiang Tian**, Tianjin (CN)

(73) Assignee: **SUBLUE UNDERWATER AI CO., LTD.**, Tianjin (CN)

(\*\*) Term: **15 Years**

(21) Appl. No.: **29/755,733**

(22) Filed: **Oct. 22, 2020**

(30) **Foreign Application Priority Data**

Apr. 24, 2020 (CN) ..... 202030175188.X

(51) **LOC (14) Cl.** ..... **12-06**

(52) **U.S. Cl.**  
USPC ..... **D12/308; D12/317**

(58) **Field of Classification Search**  
USPC ..... D12/308, 317; D21/545, 801  
CPC ..... B63C 11/00; B63C 11/02; B63C 11/36;  
B63C 11/46; B63C 11/48; B63C 11/49;  
B63C 2011/028; B63G 8/00; B63G  
8/001; B63G 8/002; B63G 8/08; B63G  
8/41; B63G 8/42; B63B 2008/002; B63B  
2008/004; B63B 3/13; B63B 1/107  
See application file for complete search history.

(56) **References Cited**

**U.S. PATENT DOCUMENTS**

6,000,978 A \* 12/1999 Donahue ..... A63B 35/12  
440/6  
6,321,676 B1 \* 11/2001 Kohnen ..... B63G 8/22  
114/331  
D649,924 S \* 12/2011 Tureaud ..... D12/308

D909,321 S \* 2/2021 Lee ..... D13/199  
D916,979 S \* 4/2021 Wei ..... D21/308  
2018/0079086 A1 \* 3/2018 Patel ..... B08B 1/00  
2022/0081081 A1 \* 3/2022 Wei ..... A63B 35/12

\* cited by examiner

*Primary Examiner* — Cynthia M. Chin

(74) *Attorney, Agent, or Firm* — Young Basile Hanlon & MacFarlane, P.C.

(57) **CLAIM**

The ornamental design for a buoyancy chamber, as shown and described.

**DESCRIPTION**

FIG. 1 is a front view of a buoyancy chamber showing our new design;

FIG. 2 is a rear view thereof;

FIG. 3 is a left side view thereof;

FIG. 4 is a right side view thereof;

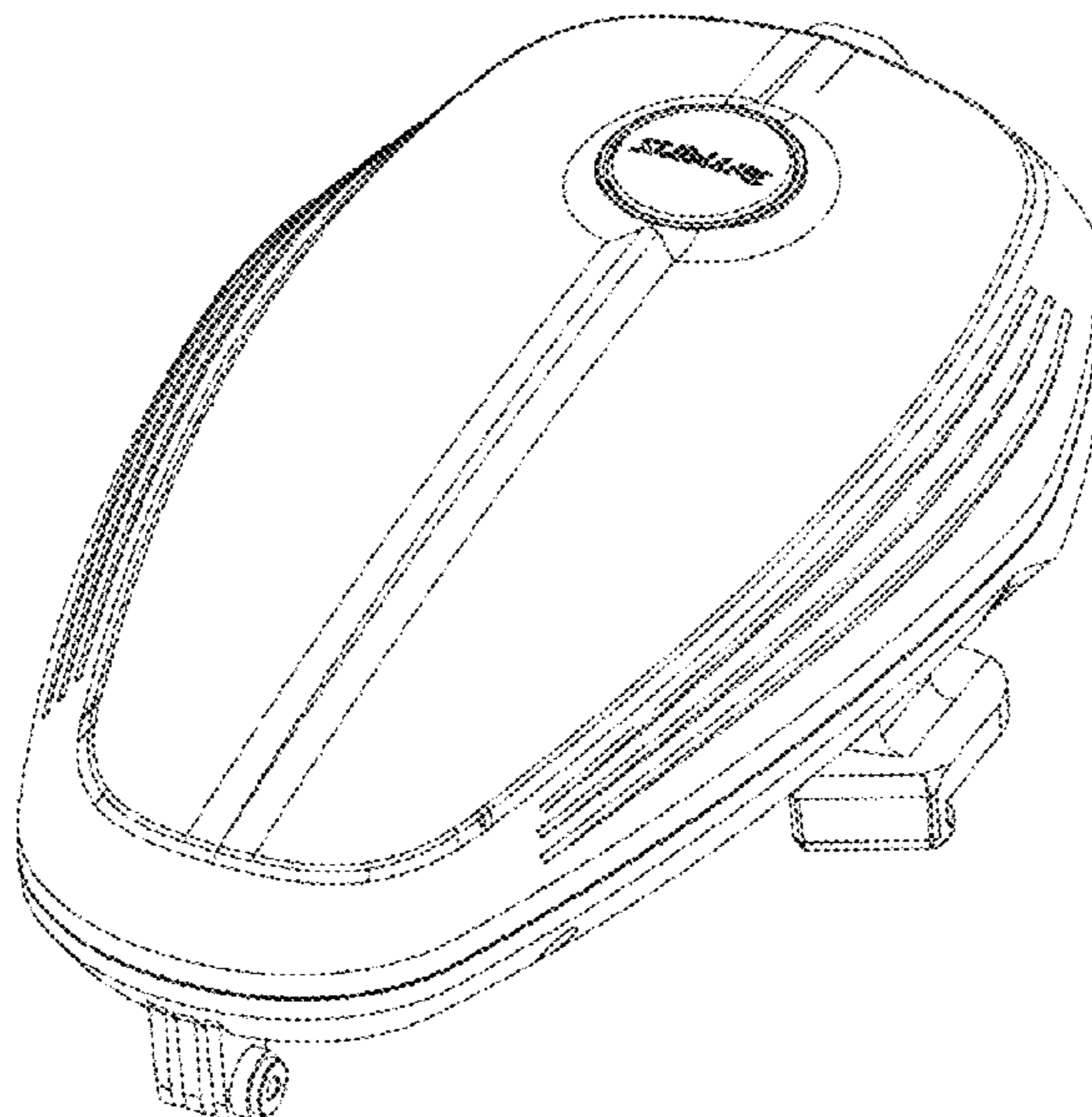
FIG. 5 is a top view thereof;

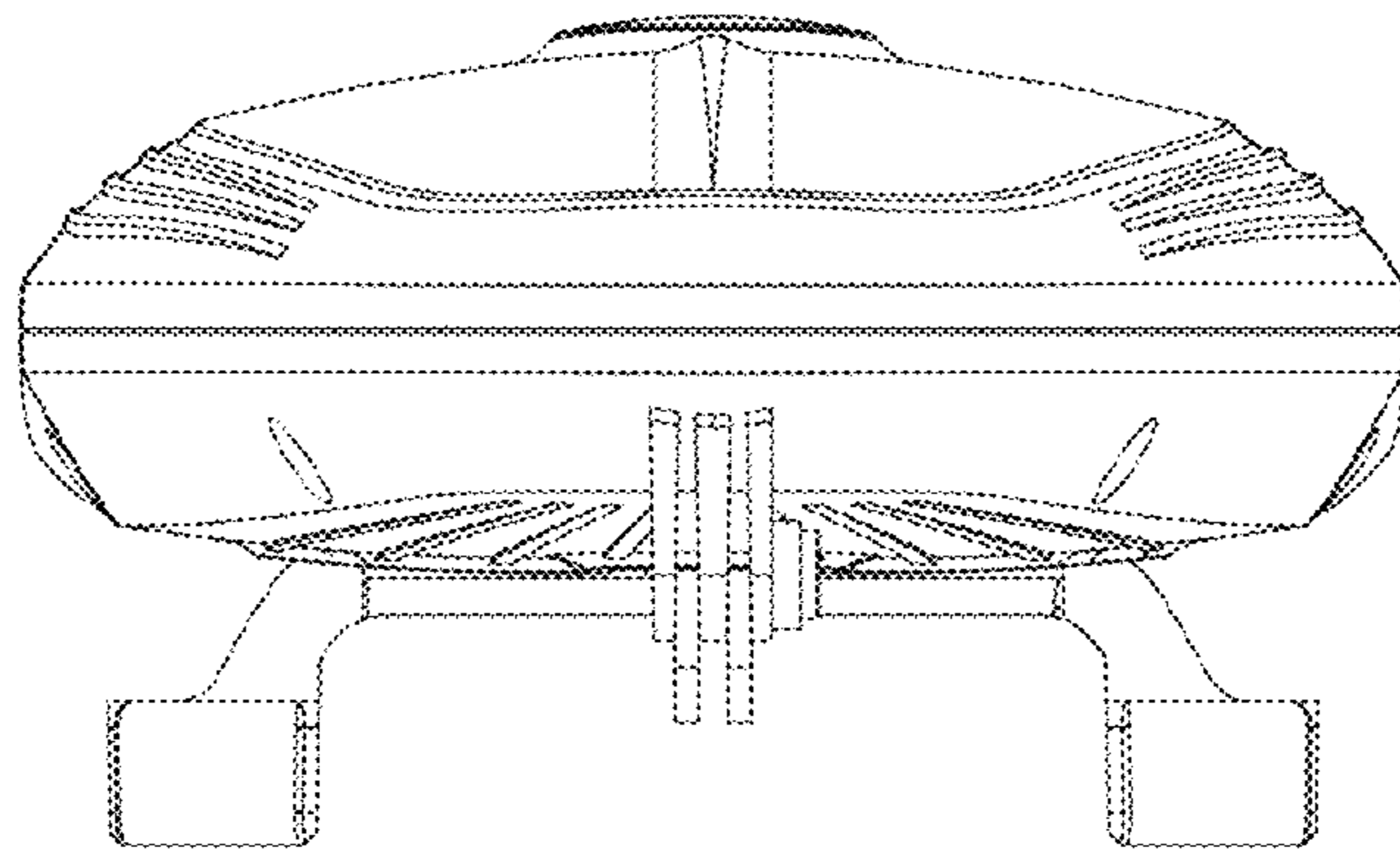
FIG. 6 is a bottom view thereof; and,

FIG. 7 is a perspective view thereof.

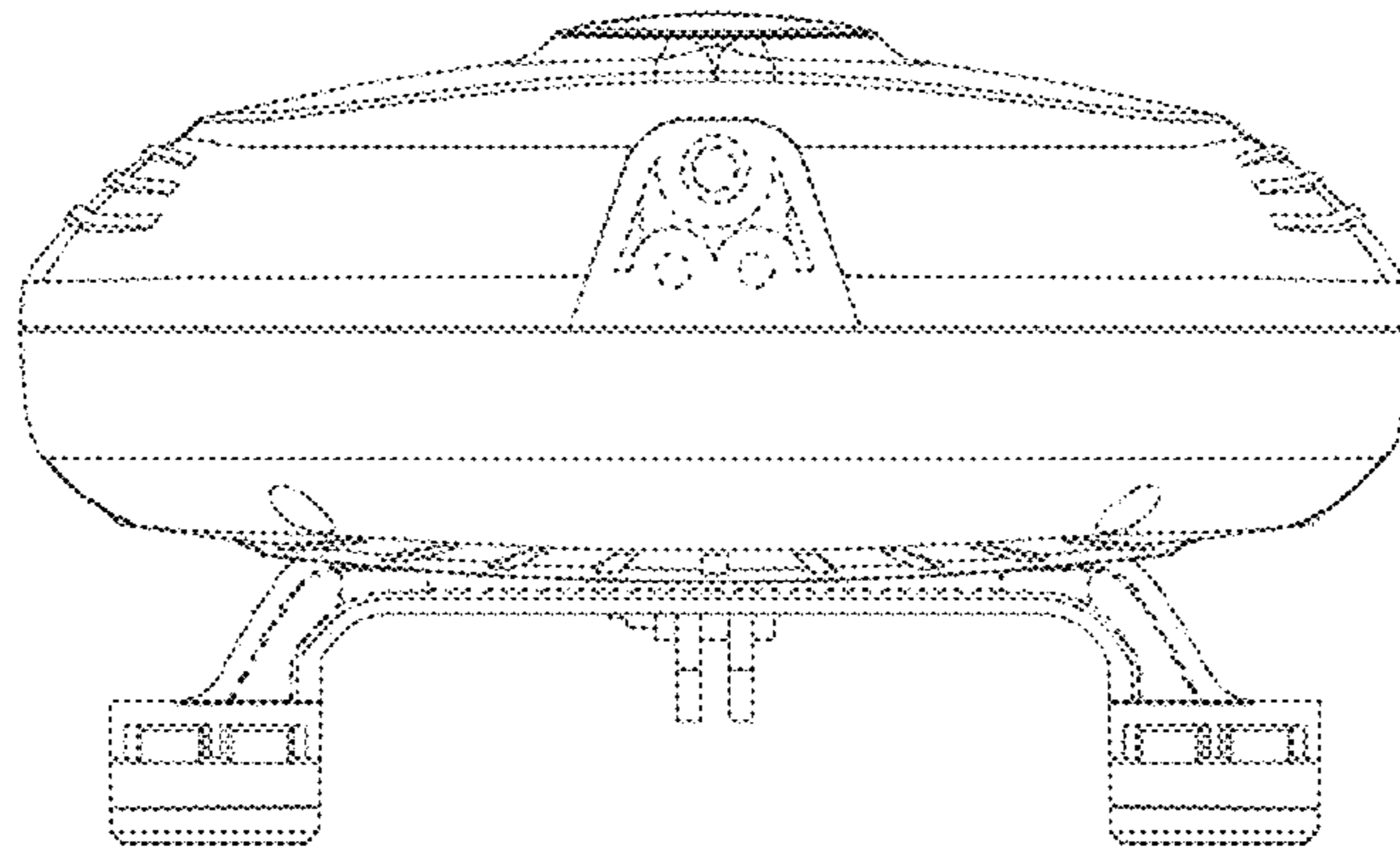
The broken lines are for the purpose of illustrating portions of the buoyancy chamber that form no part of the claimed design.

**1 Claim, 7 Drawing Sheets**

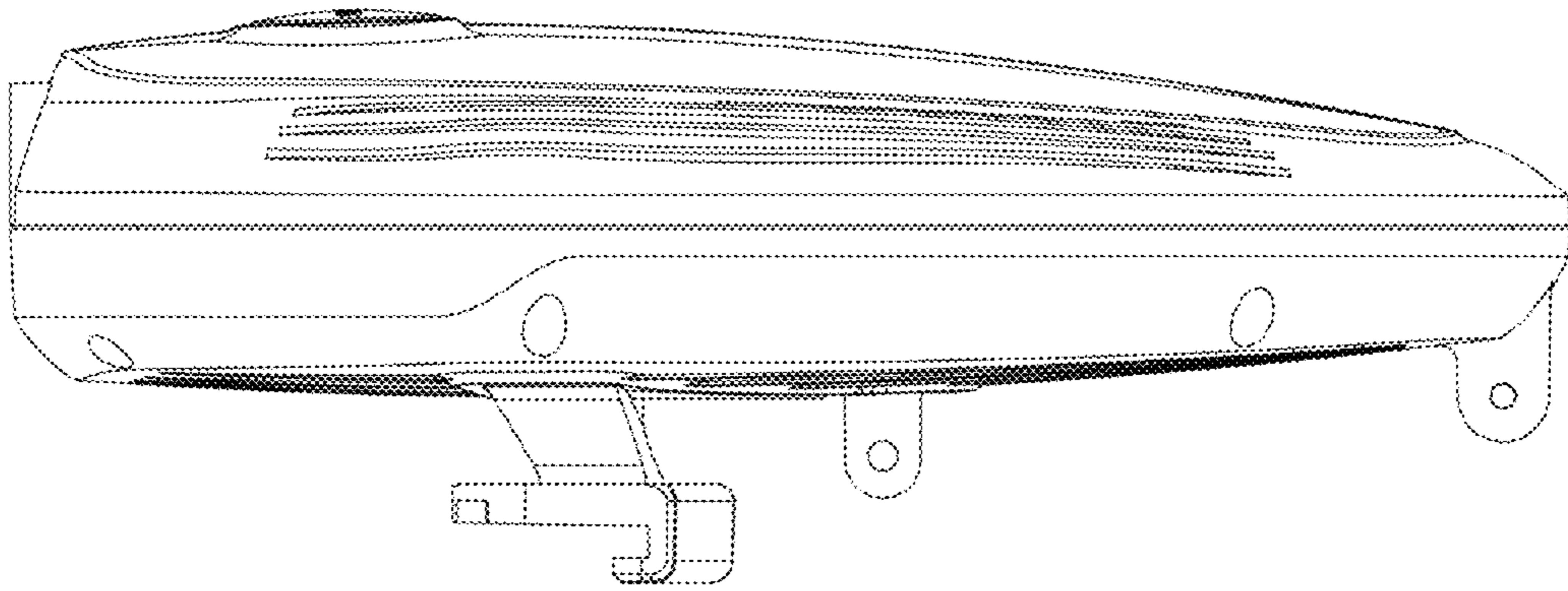




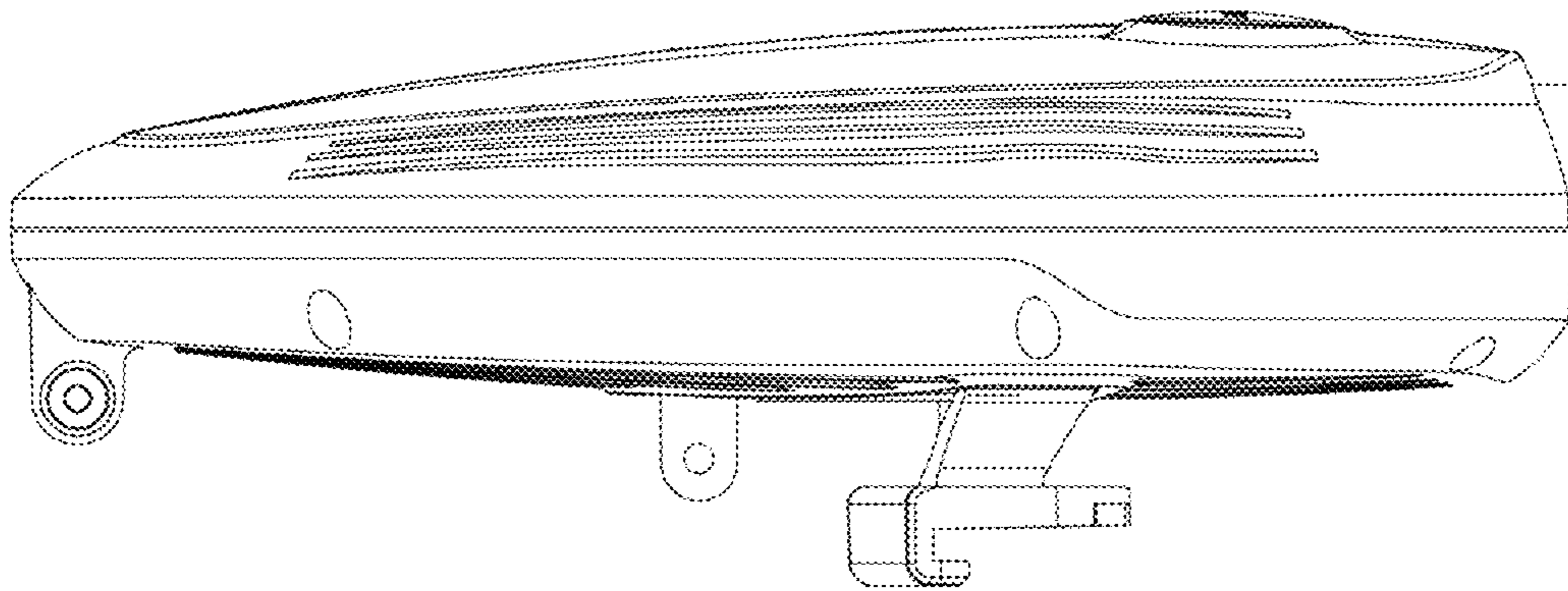
**FIG. 1**



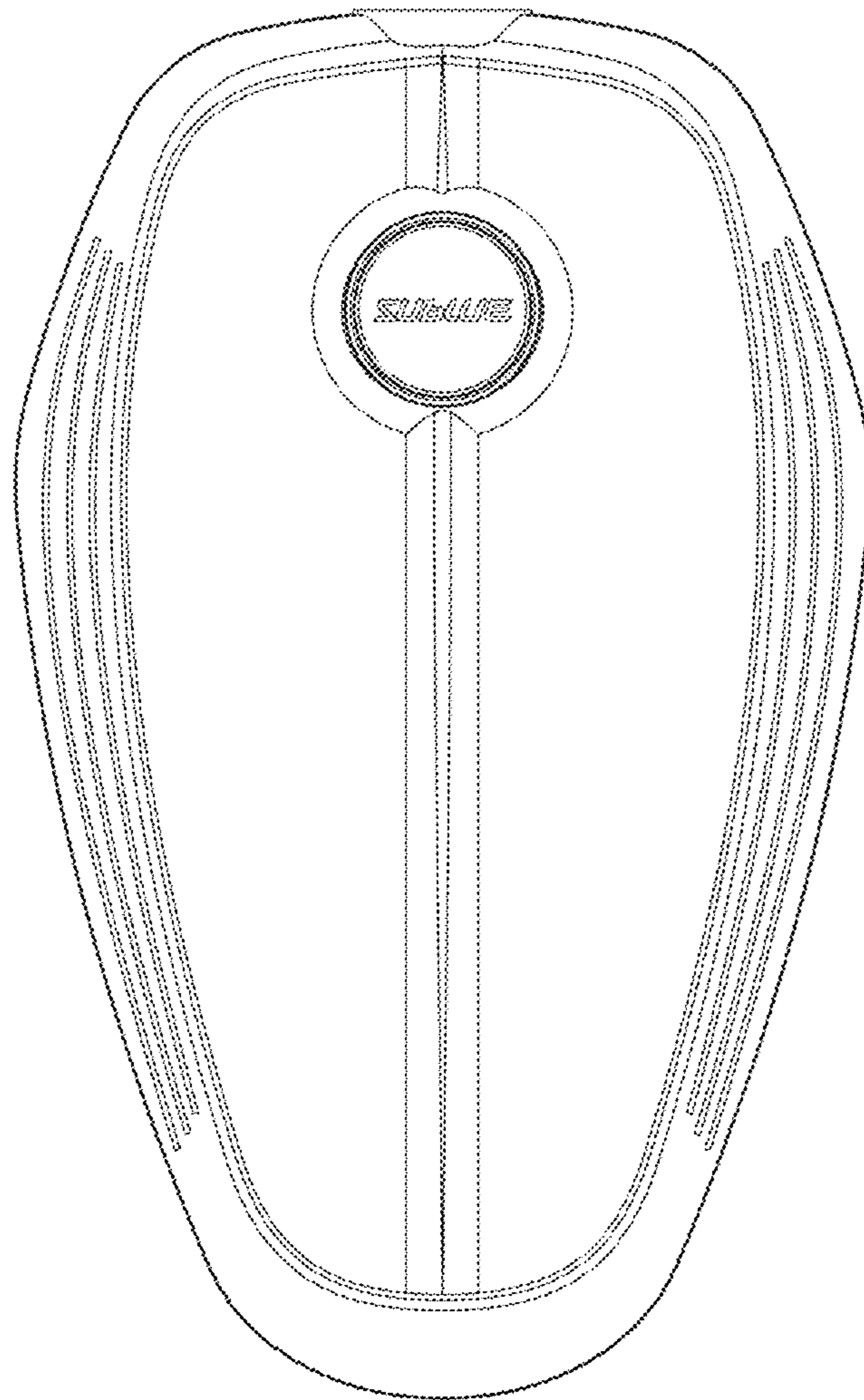
**FIG. 2**



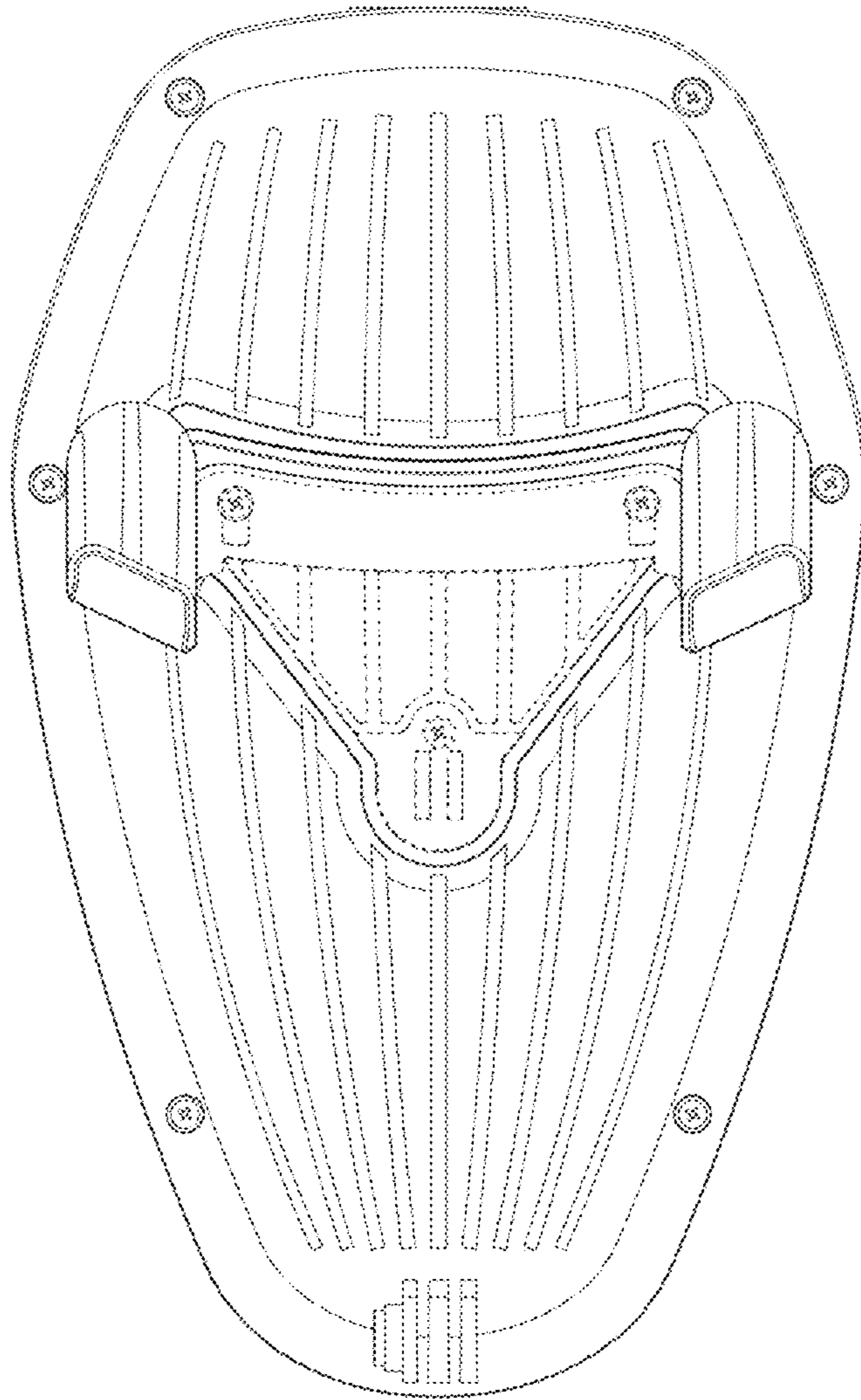
**FIG. 3**



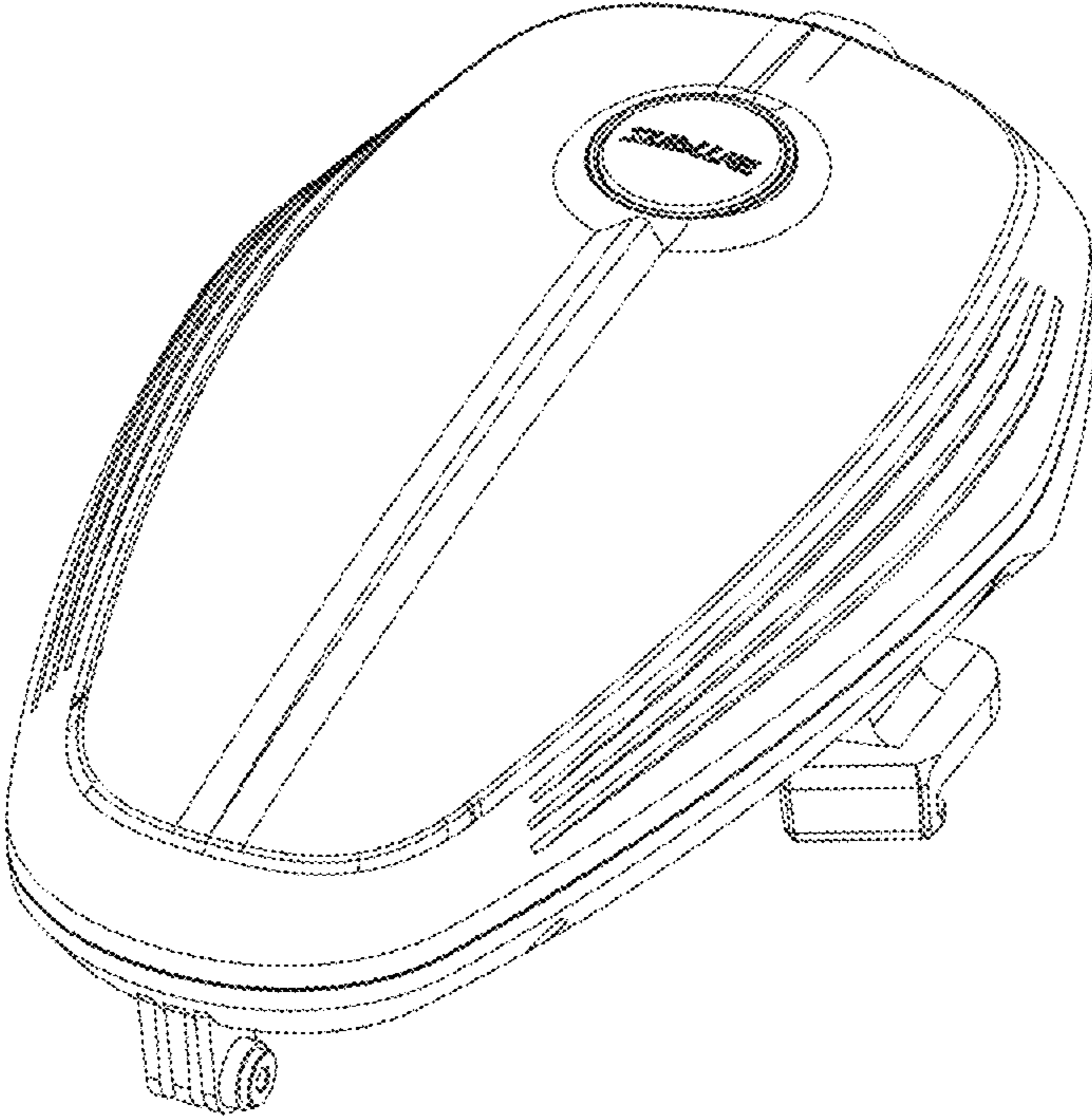
**FIG. 4**



**FIG. 5**



**FIG. 6**



**FIG. 7**