



US00D976793S

(12) **United States Design Patent** (10) **Patent No.:** **US D976,793 S**
Zhao (45) **Date of Patent:** **** Jan. 31, 2023**

(54) **AUTOMOBILE WHEEL**
(71) Applicant: **WAH HUNG GROUP INC.**, Monterey Park, CA (US)
(72) Inventor: **John Zhao**, Monterey Park, CA (US)
(**) Term: **15 Years**
(21) Appl. No.: **29/767,302**

CN 304634781 * 5/2018
CN 305036634 * 2/2019
CN 305412354 * 11/2019
CN 305649675 * 3/2020
CN 305724216 * 4/2020
CN 305827544 * 6/2020
CN 305886351 * 6/2020
CN 305964698 * 8/2020
CN 306174750 * 11/2020
CN 306241829 * 12/2020
CN 306328197 * 2/2021

(Continued)

(22) Filed: **Jan. 21, 2021**
(51) **LOC (14) Cl.** **12-16**
(52) **U.S. Cl.**
USPC **D12/211**
(58) **Field of Classification Search**
USPC D12/204–213; D21/563
CPC B60B 7/00; B60B 7/02; B60B 7/04; B60B 7/06; B60B 3/02; B60B 3/04; B60B 3/06; B60B 3/10; B60B 1/08; B60B 1/10; B60B 1/12

See application file for complete search history.

(56) **References Cited**

U.S. PATENT DOCUMENTS

D480,035 S * 9/2003 Frohlich D12/211
D571,704 S * 6/2008 Kahn D12/211
D636,320 S * 4/2011 Lamm D12/211
D685,309 S * 7/2013 Alfonso D12/209
D723,990 S * 3/2015 Muntada Roura D12/209
D733,024 S * 6/2015 Valencia Pollex D12/209
D774,436 S * 12/2016 Valencia Pollex D12/209
D784,897 S * 4/2017 Zhao D12/211
D819,538 S * 6/2018 Badstuebner D12/211
D883,891 S * 5/2020 Johnson D12/209
D895,520 S * 9/2020 Badstuebner D12/209
D941,217 S * 1/2022 Gilbrich B60B 3/02
D12/209

FOREIGN PATENT DOCUMENTS

CN 304103503 * 4/2017
CN 304257177 * 8/2017
CN 304593096 * 4/2018

OTHER PUBLICATIONS

Touren TR60 Black/Machined Face/Black Ring Wheel with Alloy Steel (16x7. inches /100x100 mm, , available in Amazon.com, customer review oldest date Oct. 4, 2012 [online], [Jun. 27, 2022], Available from the internet URL: https://www.amazon.com/Touren-Machined-Offset-Partnumber-3260-6703B/dp/B009LR3XRK/ref=sr_1_125?c.*

(Continued)

Primary Examiner — Darlington Ly
Assistant Examiner — D. Ryan Tisdale
(74) *Attorney, Agent, or Firm* — Payam Moradian

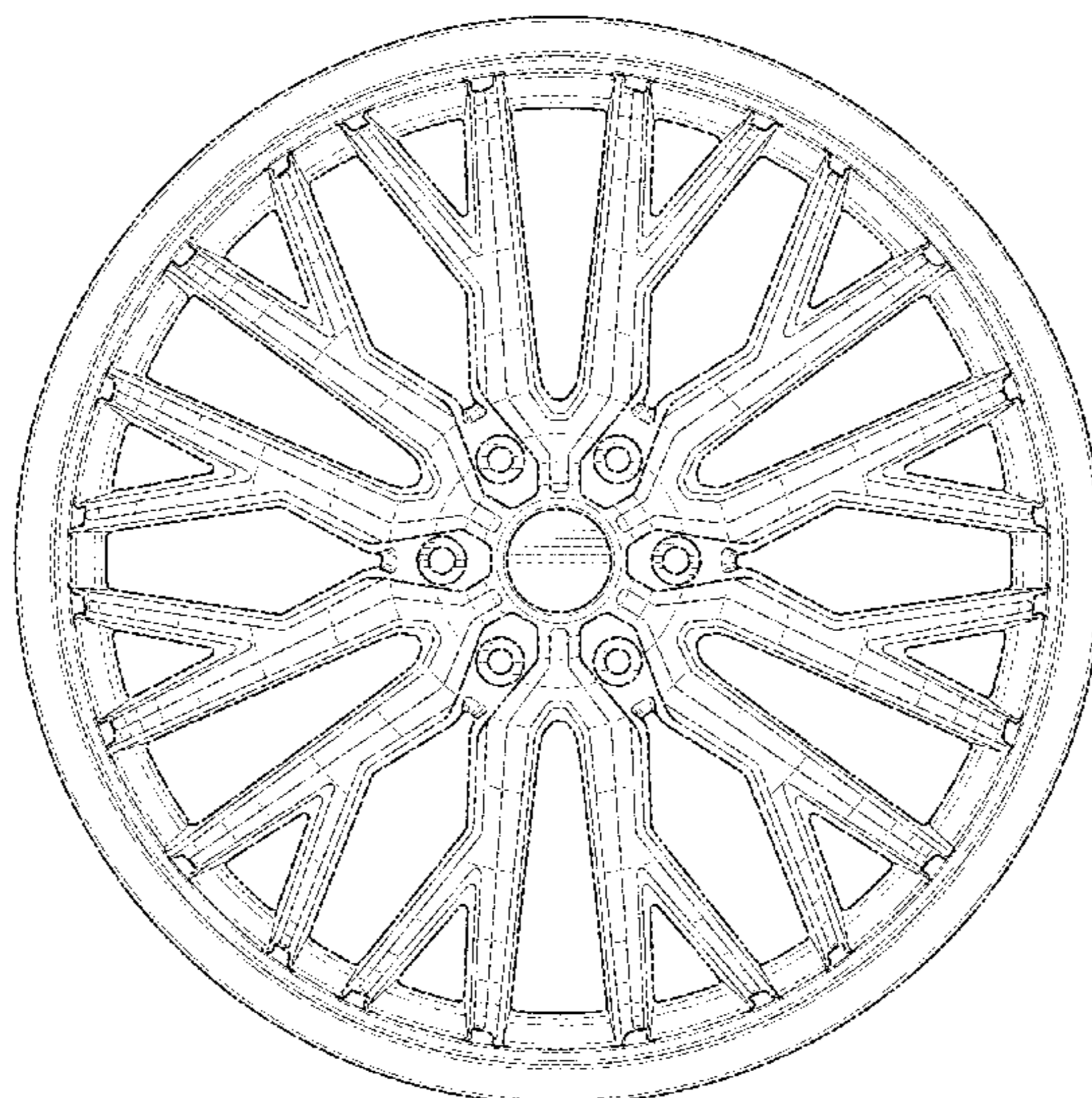
(57) **CLAIM**

I claim the ornamental design for an automobile wheel, as shown and described.

DESCRIPTION

FIG. 1 is a front elevational view of an automobile wheel, showing my new design; and, FIG. 2 is a perspective view thereof. The broken lines in the drawings illustrate portions of the automobile wheel that form no part of the claimed design.

1 Claim, 2 Drawing Sheets



(56)

References Cited

FOREIGN PATENT DOCUMENTS

CN	306694886	*	7/2021
CN	306933703	*	11/2021
CN	307094249	*	2/2022
CN	307100600	*	2/2022
CN	307309288	*	5/2022
EM	003121763-0002	*	5/2018
EM	003396423-0004	*	4/2019
EM	008220214-0001	*	11/2020
EM	008613285-0006	*	11/2021
GB	8203271000-3000	*	8/2019
GB	9007307277-0001	*	11/2019
GB	9007732813-0001	*	3/2020
JP	D1569505	*	2/2017
WO	D208941-001	*	9/2020
WO	D203651-009	*	9/2021

OTHER PUBLICATIONS

John Zhao's Patents, May 00 2018.
Ernie Alfonso's Patents, May 00 2018.

* cited by examiner

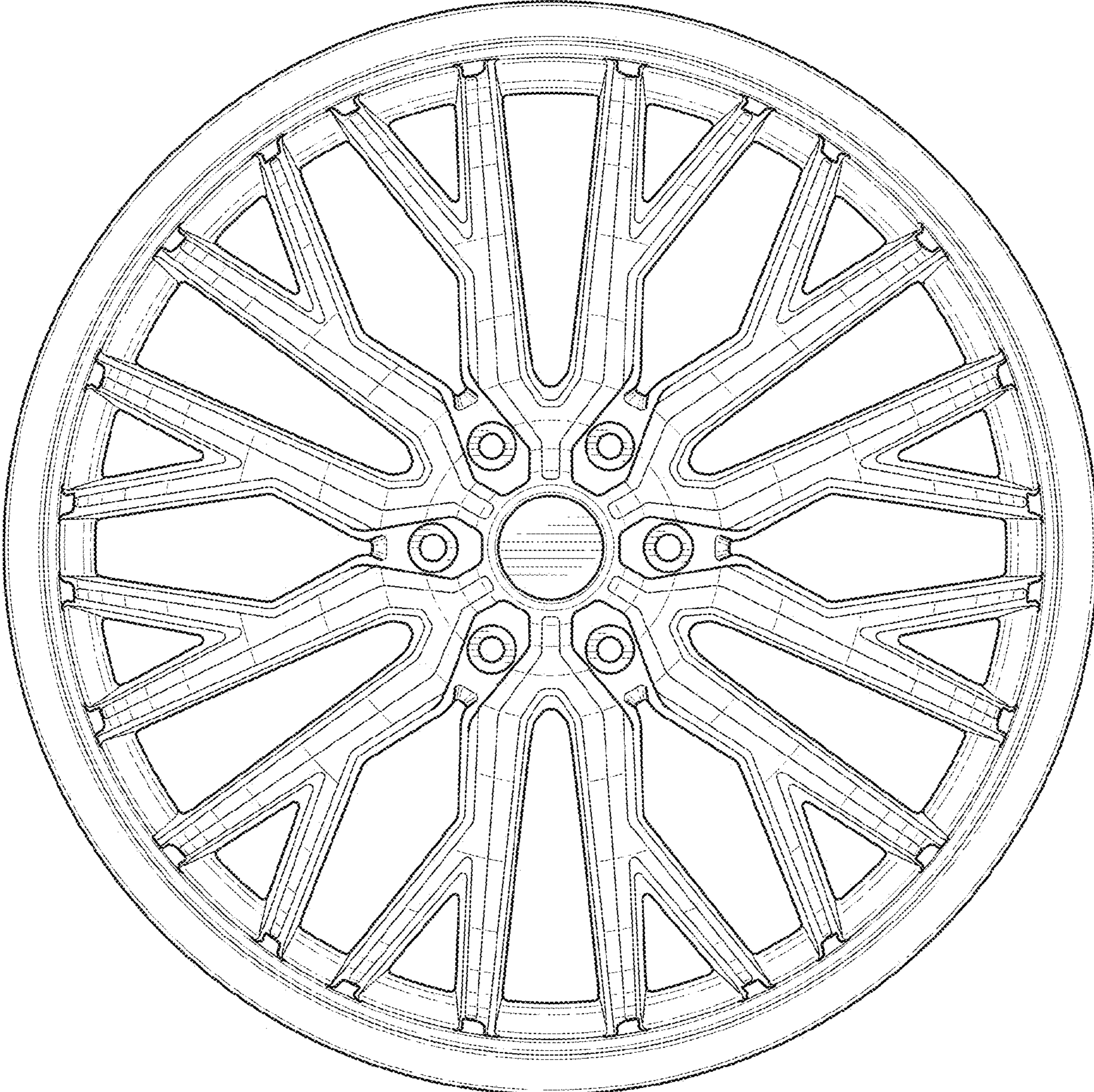


FIG. 1

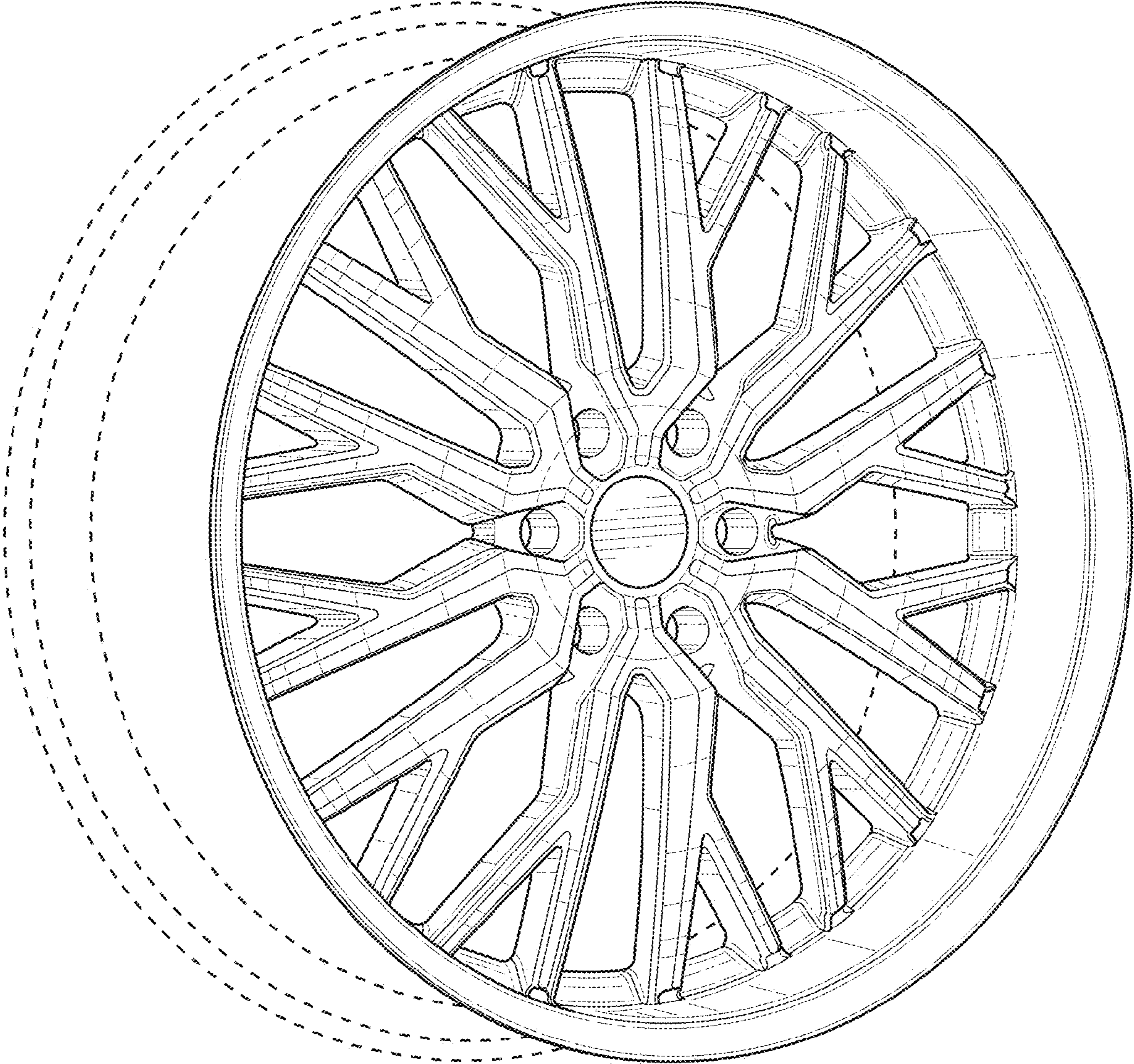


FIG. 2