



US00D976788S

(12) **United States Design Patent** (10) **Patent No.:** **US D976,788 S**
Zhao (45) **Date of Patent:** **** Jan. 31, 2023**

(54) **AUTOMOBILE WHEEL**
(71) Applicant: **WAH HUNG GROUP INC.**, Monterey Park, CA (US)
(72) Inventor: **John Zhao**, Monterey Park, CA (US)
(73) Assignee: **WAH HUNG GROUP INC.**, Monterey Park, CA (US)

CN 304811126 * 9/2018
CN 304811131 * 9/2018
CN 305226947 * 6/2019
CN 305255093 * 7/2019
CN 305296415 * 8/2019
CN 305649672 * 3/2020
CN 306026084 * 9/2020
GB 8210775001-3000 * 5/2019
WO D210775-013 * 10/2020

(**) Term: **15 Years**
(21) Appl. No.: **29/767,144**
(22) Filed: **Jan. 20, 2021**
(51) **LOC (14) Cl.** **12-16**
(52) **U.S. Cl.**
USPC **D12/211**
(58) **Field of Classification Search**
USPC D12/204-213; D21/563
CPC B60B 7/00; B60B 7/02; B60B 7/04; B60B 7/06; B60B 3/02; B60B 3/04; B60B 3/06; B60B 3/10; B60B 1/00; B60B 1/08; B60B 1/10; B60B 1/12
See application file for complete search history.

OTHER PUBLICATIONS

Enkei Tuning TM7 Storm Grey, available in TireRack.com, announced Year 2020 [online], [site visited Jul. 5, 2022], Internet URL: [https://www.tirerack.com/wheels/WheelCloseUpServlet?target=wheelCloseUp&wheelMake=Enkei+Tuning&wheelModel=TM7&wheelFinish=Storm+Gr . . . *](https://www.tirerack.com/wheels/WheelCloseUpServlet?target=wheelCloseUp&wheelMake=Enkei+Tuning&wheelModel=TM7&wheelFinish=Storm+Gr...)
Focal F14 Machined w/Black Accent, available in TireRack.com, announced Year 2021 [online], [site visited Jul. 5, 2022], Internet URL: [https://www.tirerack.com/wheels/WheelCloseUpServlet?target=wheelCloseUp&wheelMake=Focal&wheelModel=F14&wheelFinish=Machined+w%2FB . . . *](https://www.tirerack.com/wheels/WheelCloseUpServlet?target=wheelCloseUp&wheelMake=Focal&wheelModel=F14&wheelFinish=Machined+w%2FB...)
John Zhao's Patents, May 00 2018.
Ernie Alfonso's Patents, May 00 2018.

* cited by examiner

Primary Examiner — Darlington Ly
Assistant Examiner — D. Ryan Tisdale
(74) *Attorney, Agent, or Firm* — Payam Moradian

(56) **References Cited**
U.S. PATENT DOCUMENTS
D549,635 S * 8/2007 Hernandez D12/211
D680,486 S * 4/2013 Zhao D12/211
D712,814 S * 9/2014 Starr, Jr. D12/209
D791,041 S * 7/2017 Johnson D12/209
D942,355 S * 2/2022 Han D12/209
2020/0298617 A1 * 9/2020 Ramirez B60B 7/08

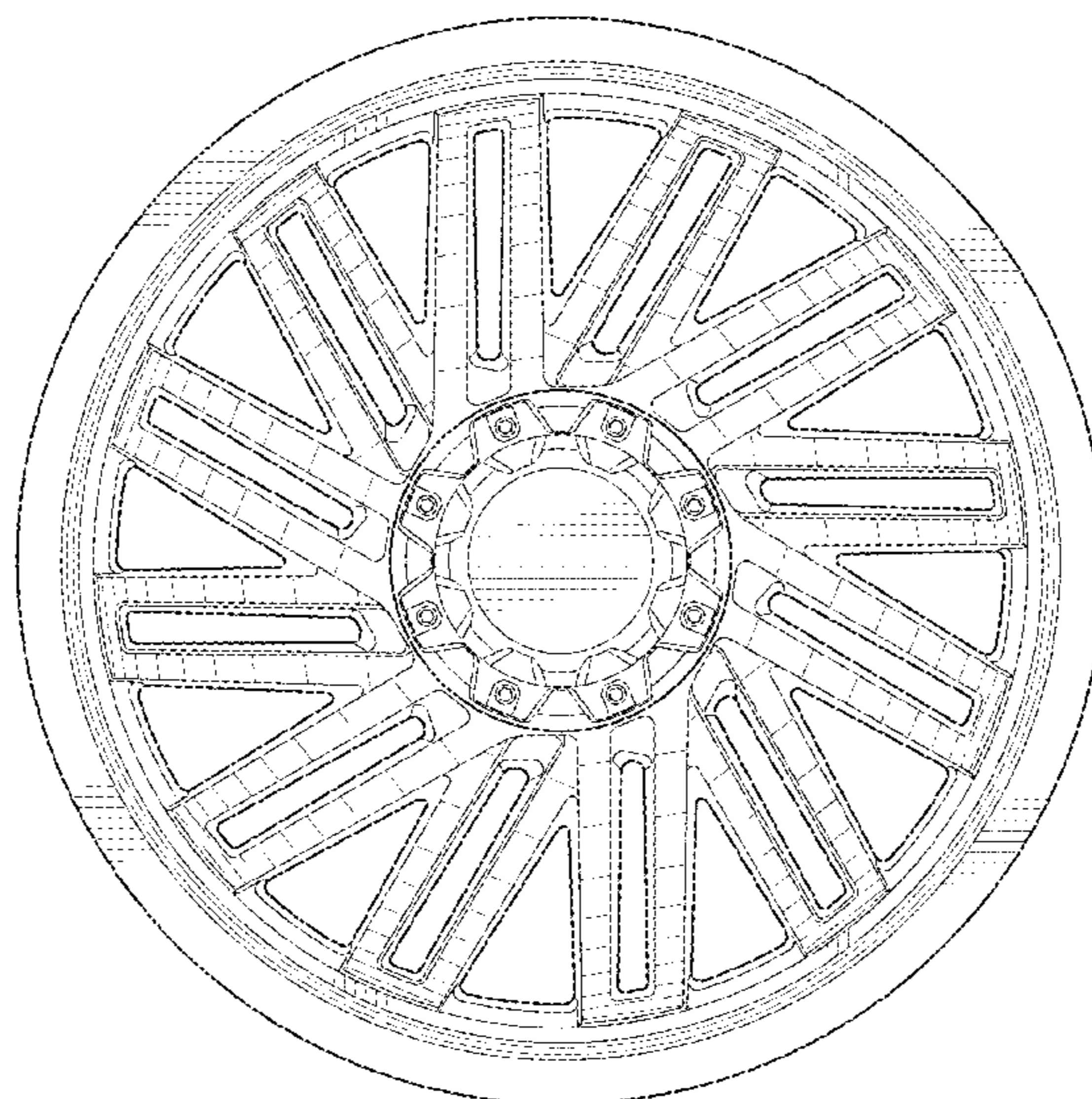
(57) **CLAIM**
I claim the ornamental design for an automobile wheel, as shown and described.

FOREIGN PATENT DOCUMENTS
CN 304386169 * 12/2017
CN 304657093 * 6/2018
CN 304671749 * 6/2018
CN 304731350 * 7/2018
CN 304731353 * 7/2018
CN 304731355 * 7/2018

DESCRIPTION

FIG. 1 is a front elevational view of an automobile wheel, showing my new design; and, FIG. 2 is a perspective view thereof. The broken lines in the drawings illustrate portions of the automobile wheel that form no part of the claimed design.

1 Claim, 2 Drawing Sheets



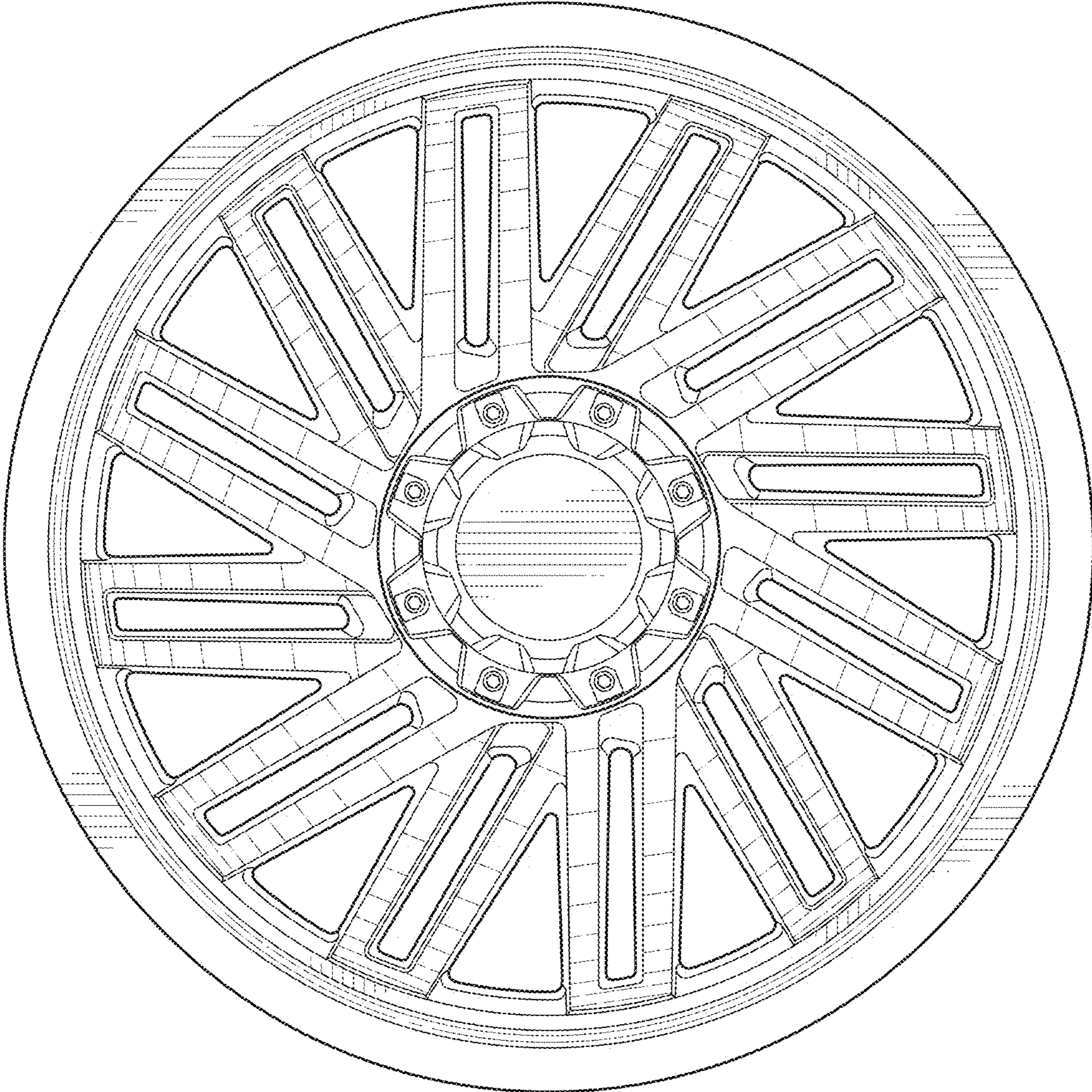


FIG. 1

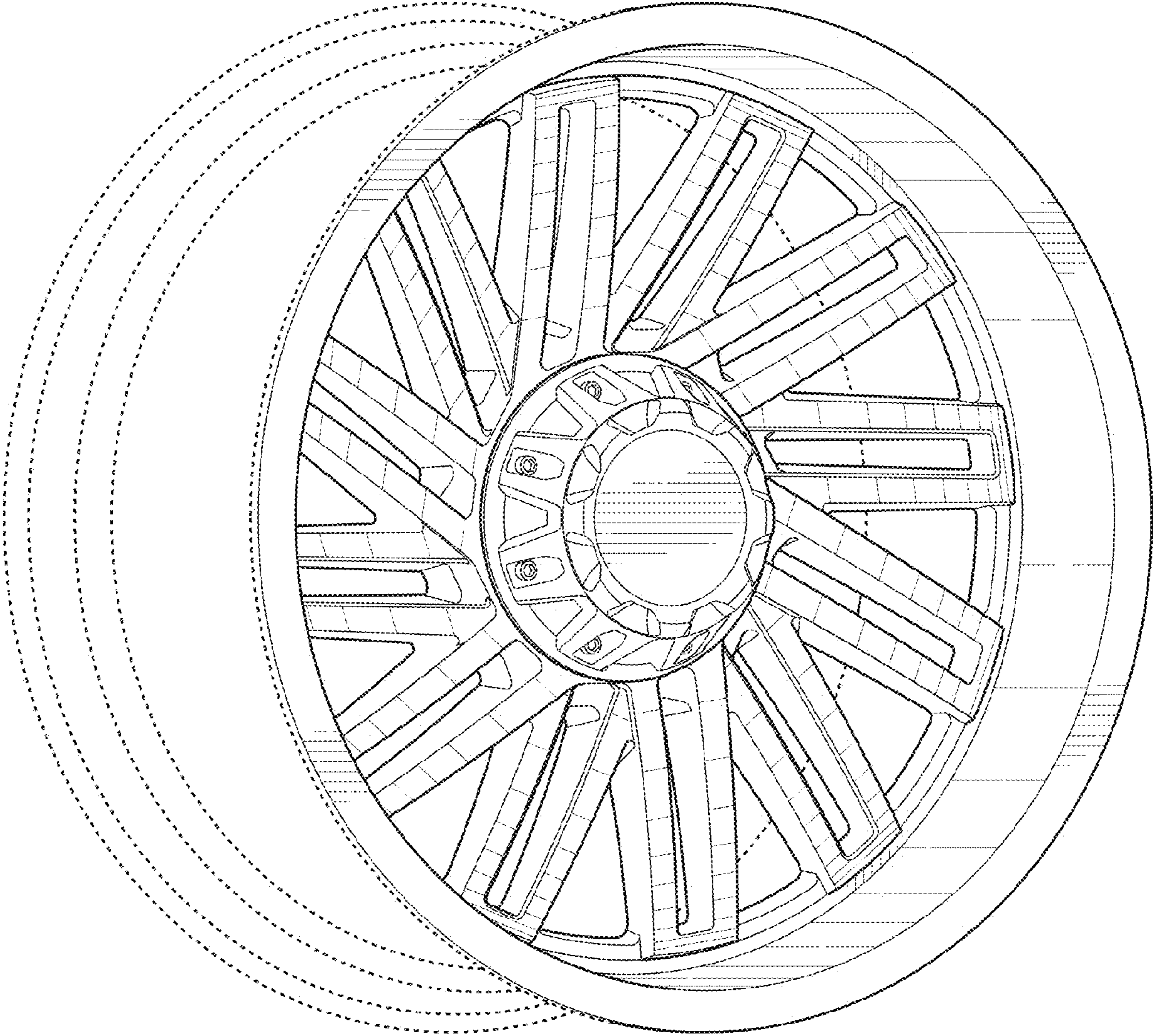


FIG. 2