



US00D976787S

(12) **United States Design Patent** (10) **Patent No.:** **US D976,787 S**  
**Goodrich et al.** (45) **Date of Patent:** **\*\* Jan. 31, 2023**

(54) **WHEEL**

(71) Applicant: **Rivian IP Holdings, LLC**, Plymouth, MI (US)  
(72) Inventors: **Stephen Goodrich**, Irvine, CA (US); **Jonathan Szczupak**, Orange, CA (US)  
(73) Assignee: **Rivian IP Holdings, LLC**, Irvine, CA (US)

(\*\*) Term: **15 Years**

(21) Appl. No.: **29/782,585**

(22) Filed: **May 7, 2021**

(51) **LOC (14) Cl.** ..... **12-16**

(52) **U.S. Cl.**  
USPC ..... **D12/210**

(58) **Field of Classification Search**  
USPC ..... D12/202, 204, 209, 210, 211, 213, 419; D21/563  
CPC ..... B60B 7/00; B60B 7/02; B60B 7/04  
See application file for complete search history.

(56) **References Cited**

**U.S. PATENT DOCUMENTS**

D93,348 S *	9/1934	Hunt	.....	D12/209
D99,805 S *	5/1936	Horn	.....	D12/209
D102,661 S *	1/1937	Eksergian	.....	D12/209
D103,991 S *	4/1937	Hunt	.....	D12/209
D113,660 S *	3/1939	Eksergian	.....	D12/209
D235,432 S *	6/1975	May	.....	D12/211
D248,551 S *	7/1978	Sekido	.....	D12/211
D273,003 S *	3/1984	Svanback	.....	D12/211
D285,676 S *	9/1986	Clark	.....	D12/209
D302,002 S *	7/1989	Arai	.....	D12/209
D302,968 S *	8/1989	Bell	.....	D12/211
D358,797 S *	5/1995	Botterman	.....	D12/209
D387,724 S *	12/1997	Chung	.....	D12/209

**FOREIGN PATENT DOCUMENTS**

EM 006818167-0001 \* 9/2019

**OTHER PUBLICATIONS**

Ebay, 01346 OEM Used Driver Side Aluminum Wheel 1984-1987 Corvette, published Aug. 11, 2022[retrieved on Aug. 30, 2022]. Retrieved from the internet<https://www.ebay.com/01346\_OEM\_Used\_passengersidealuminumwheel\_16x8\_fits\_1984-1987\_Corvette> (Year: 2022).\*  
Tire Rack.com, ASA type 8, published Mar. 29, 2019,[retrieved on Aug. 30, 2022]. Retrieved from the internet<https://www.tirerack.com/wheels/WheelCloseUpServlet?target=wheelCloseUp&wheelMake=ASA&wheelModel=Type+8&wheelFinish=Chrome+Plated> (Year: 2019).\*  
Amazon, AEV Salta XR Wheel—2015+ Colorado Truck—Onyx, published Mar. 18, 2021 [retrieved on Aug. 30, 2022] Retrieved from the internet<https://www.amazon.com/AEV-Salta-XR-Wheel-Colorado/dp/B08ZGZCPGZ/ref=sr\_1\_106?crid=2SREO7LXAUFU7&keywords=vehicle+Wheels&qid=1> (Year: 2021).\*

\* cited by examiner

*Primary Examiner* — Joseph Kukella  
*Assistant Examiner* — Lavon M. Amerson  
(74) *Attorney, Agent, or Firm* — Clements Bernard Walker; Christopher L. Bernard

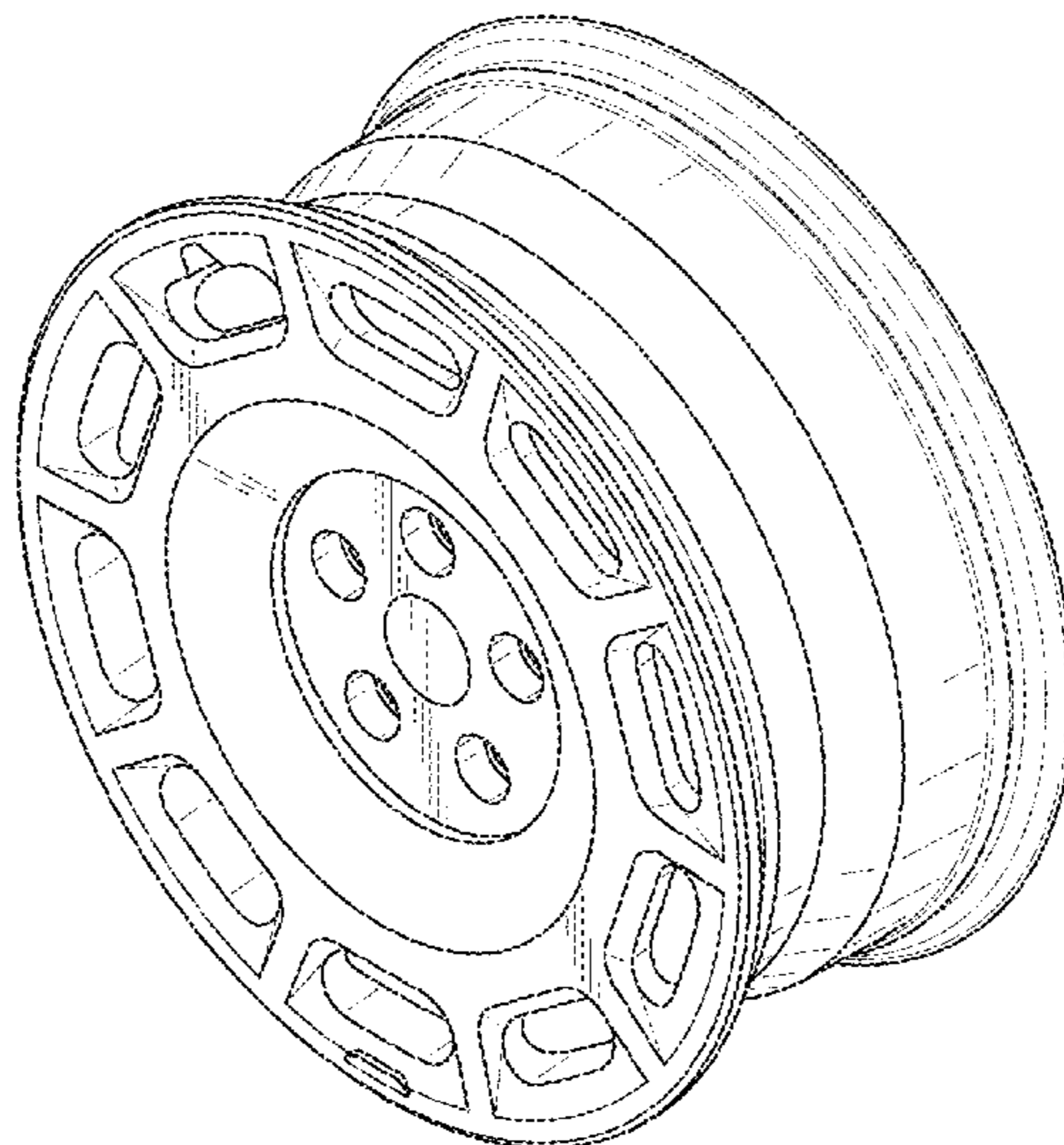
(57) **CLAIM**

We claim the ornamental design for a wheel, as shown and described.

**DESCRIPTION**

FIG. 1 is a front perspective view of a wheel.  
FIG. 2 is a rear perspective view of the wheel of FIG. 1.  
FIG. 3 is a front elevation view of the wheel of FIG. 1.  
FIG. 4 is a rear elevation view of the wheel of FIG. 1.  
FIG. 5 is a left side elevation view of the wheel of FIG. 1.  
FIG. 6 is a right side elevation view of the wheel of FIG. 1.  
FIG. 7 is a top plan view of the wheel of FIG. 1; and,  
FIG. 8 is a bottom plan view of the wheel of FIG. 1.

**1 Claim, 8 Drawing Sheets**



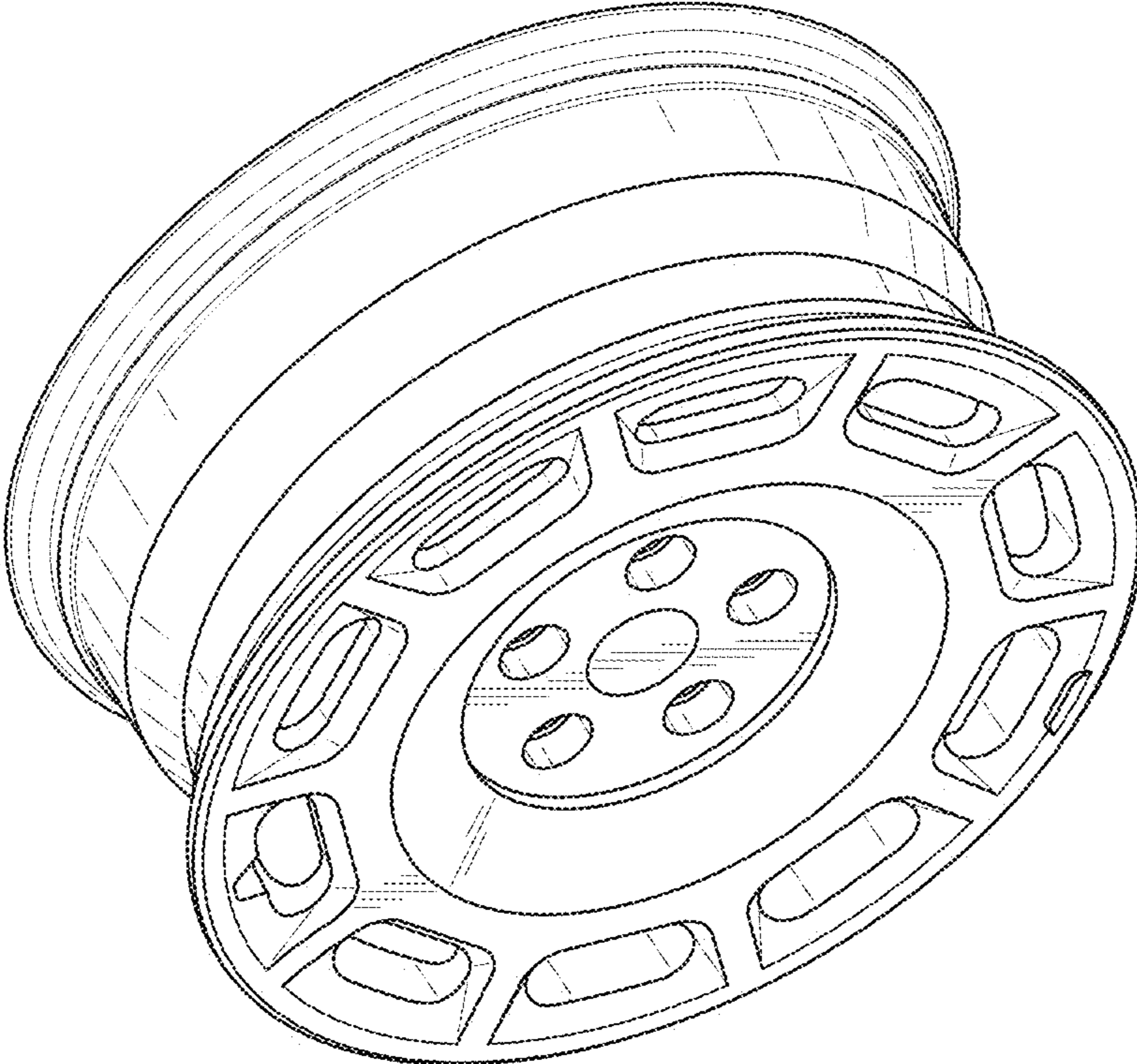


FIG. 1

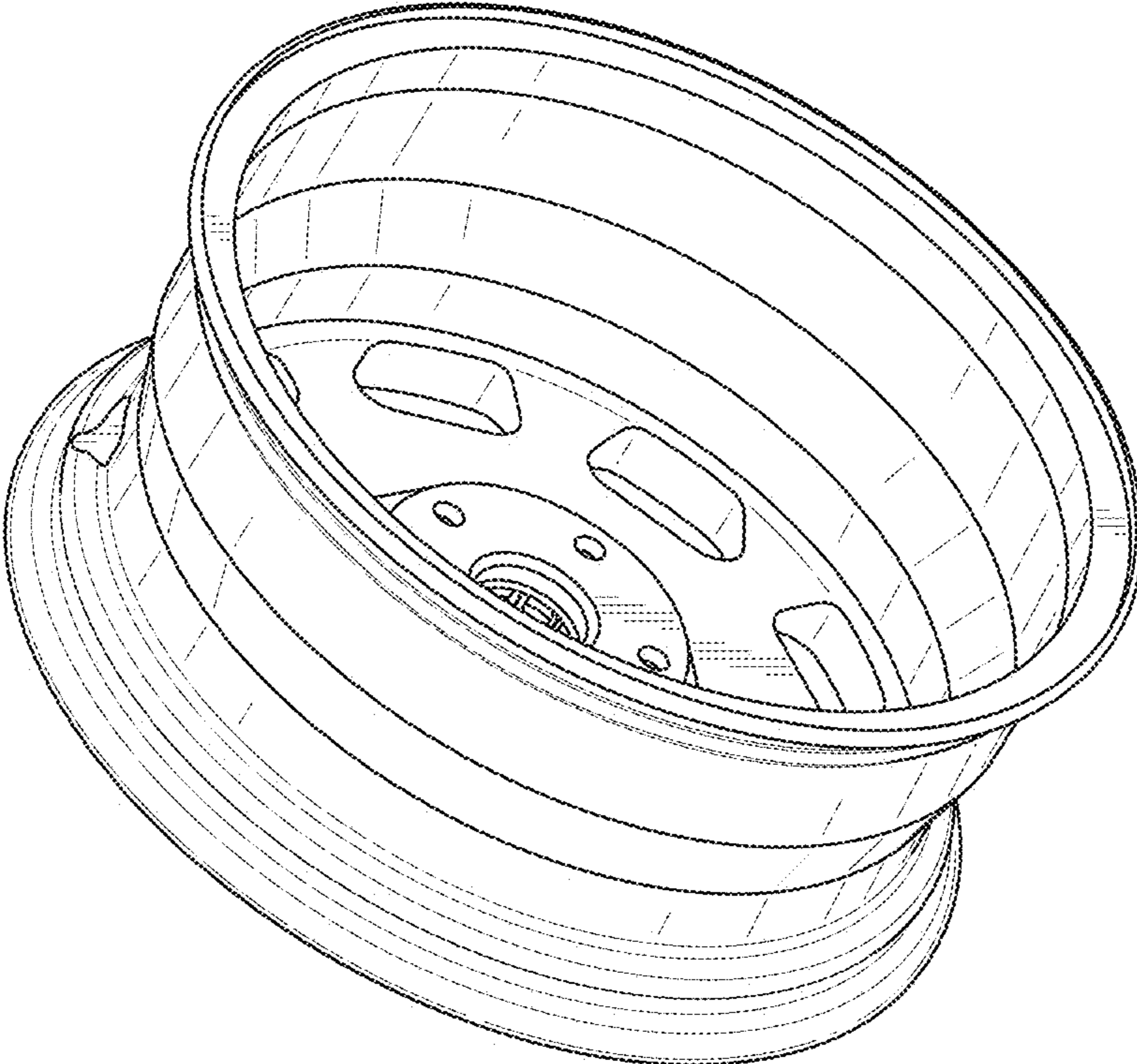


FIG. 2

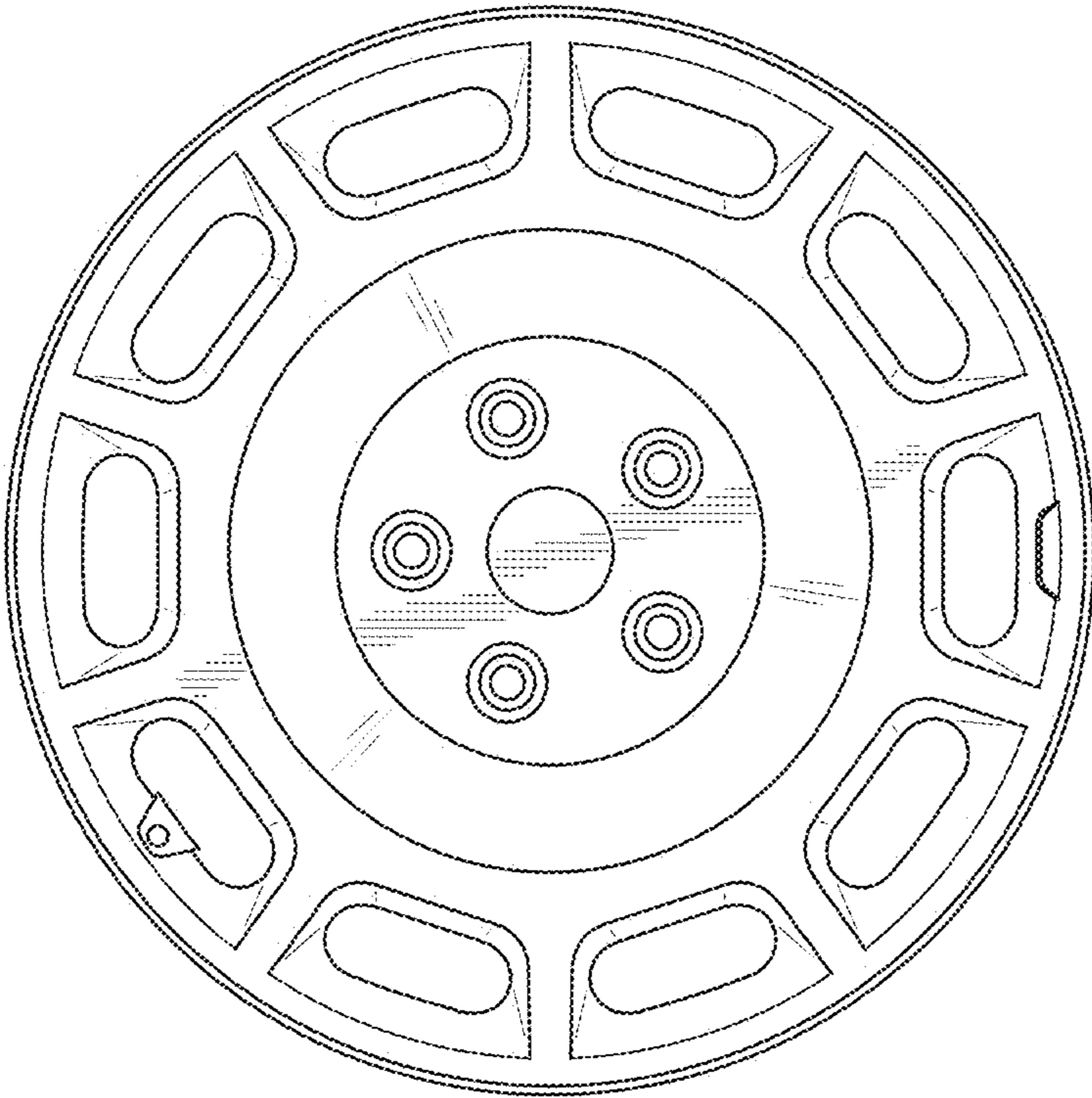


FIG. 3

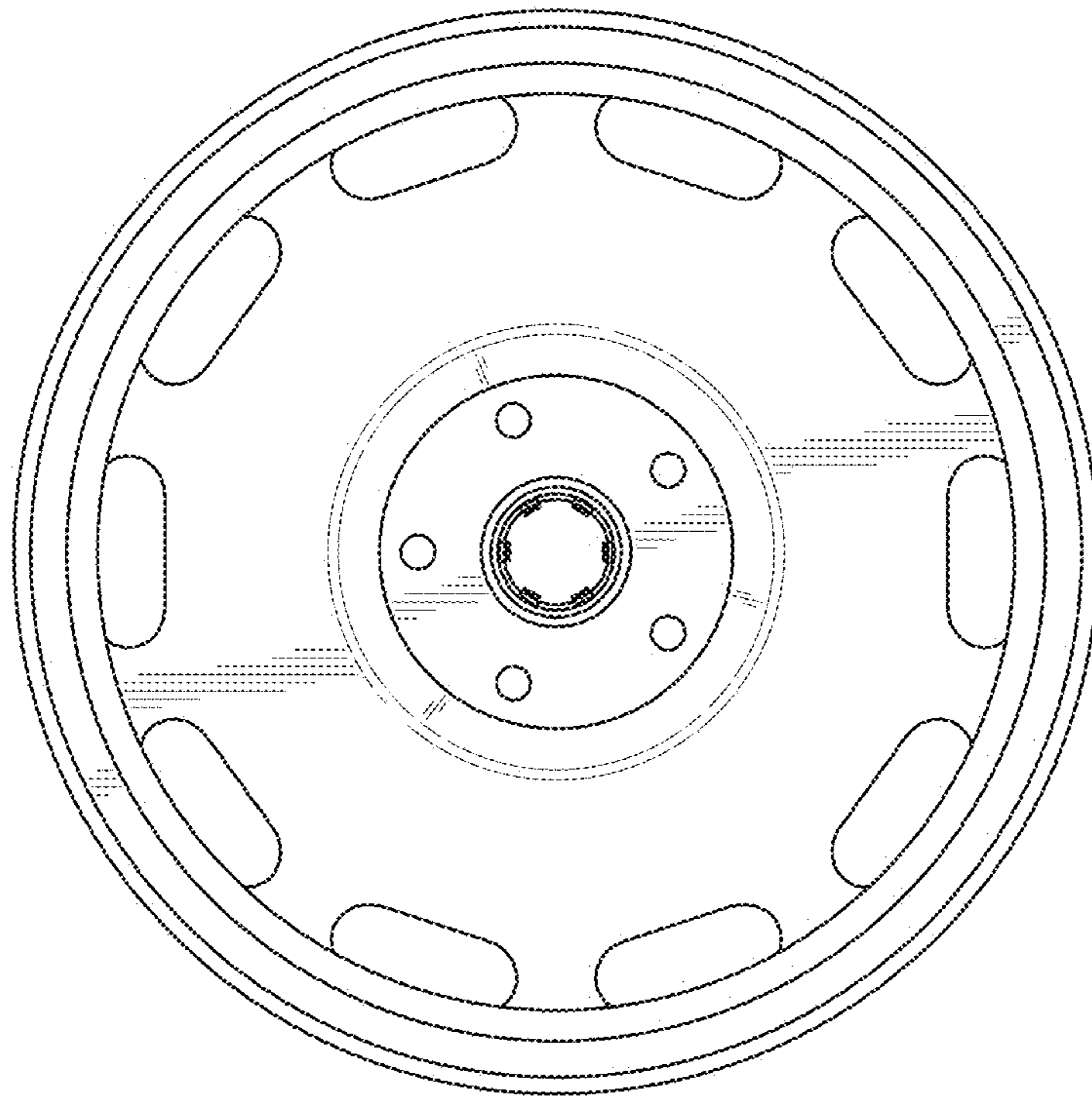


FIG. 4

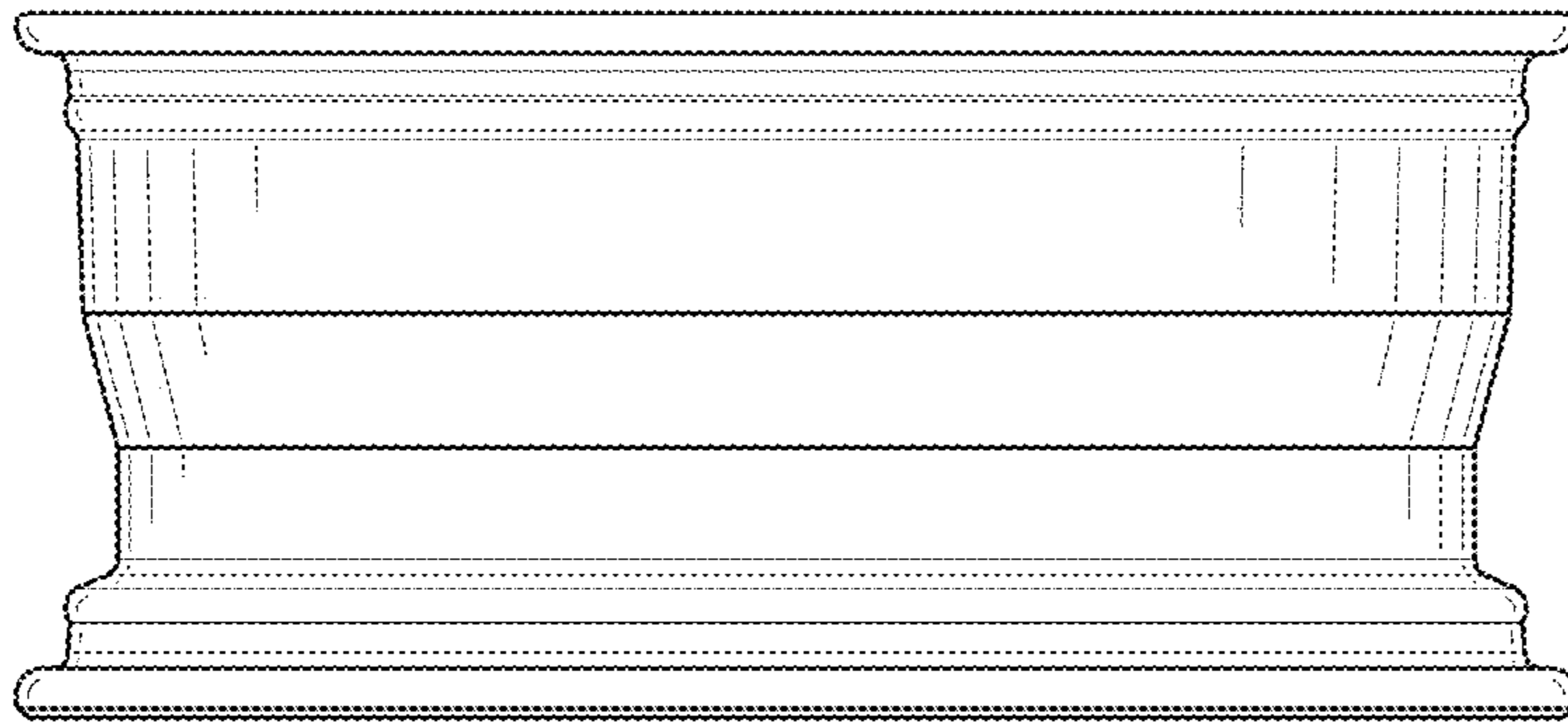


FIG. 5

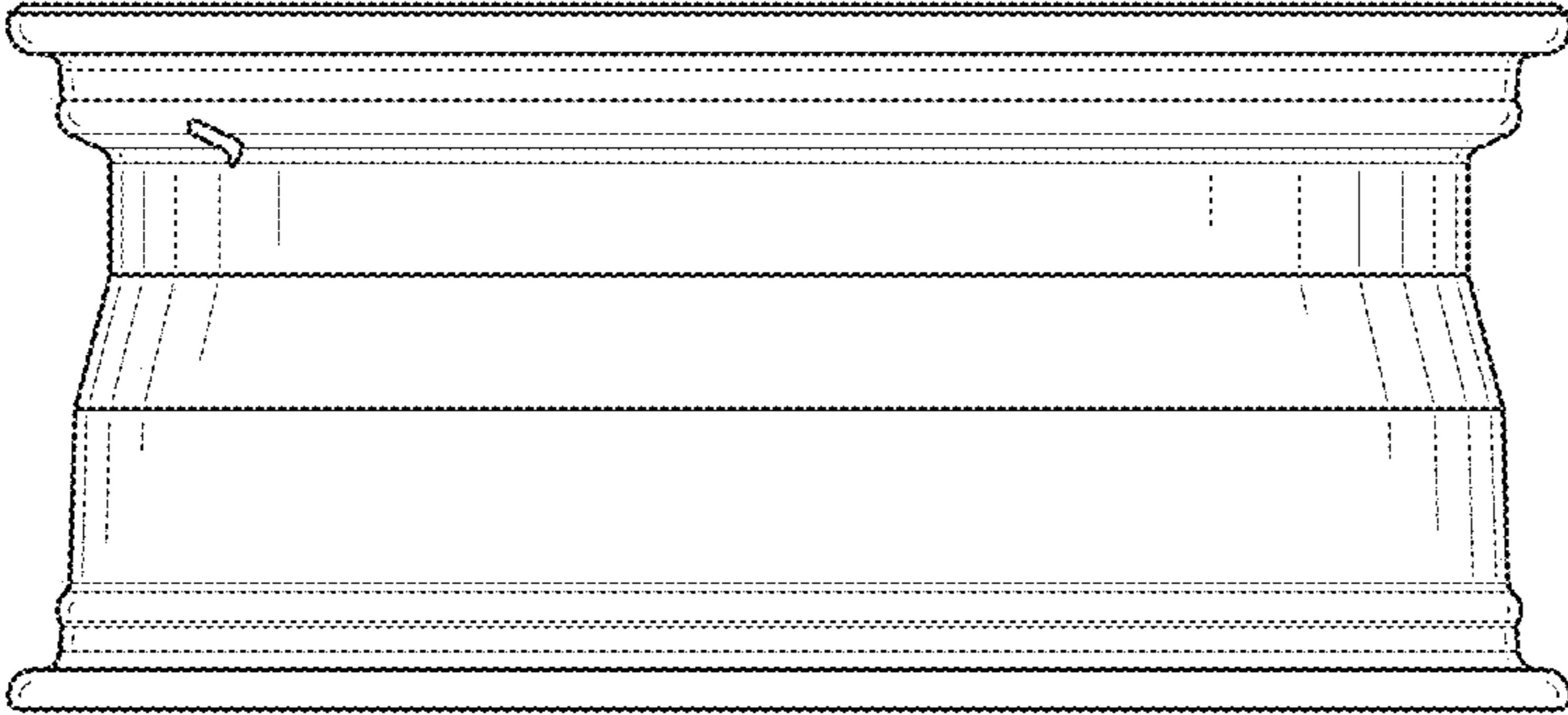


FIG. 6

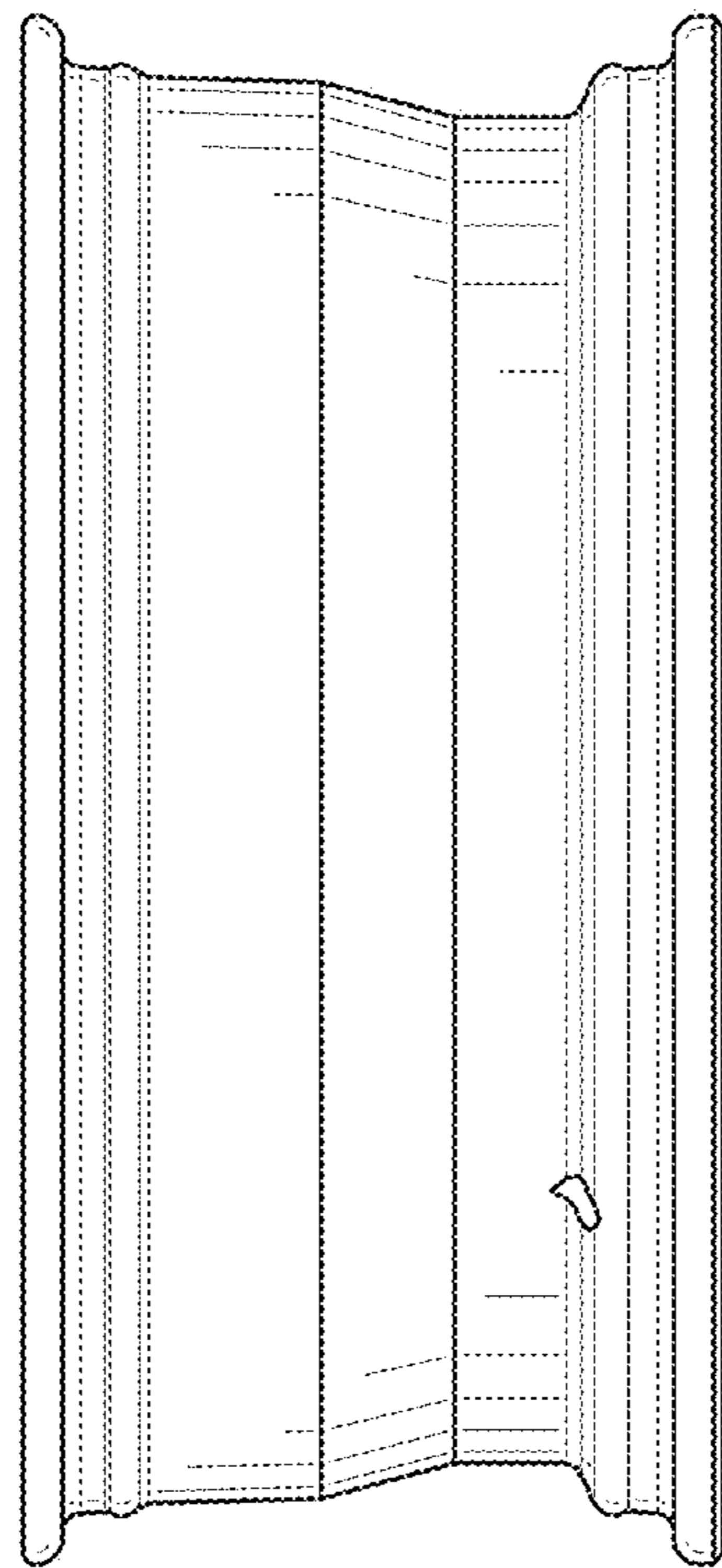


FIG. 7



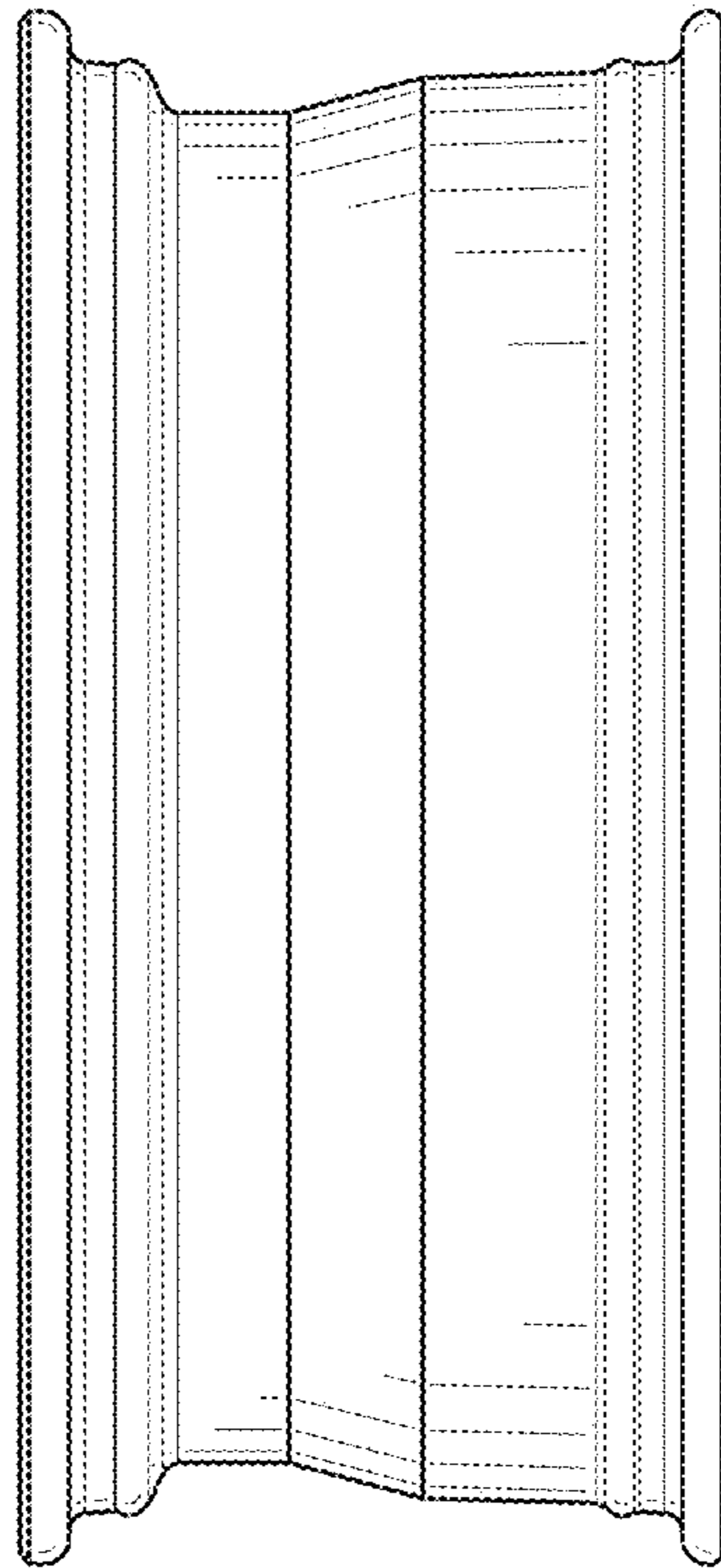


FIG. 8