

US00D976784S

(12) **United States Design Patent** (10) **Patent No.:** **US D976,784 S**
Widua (45) **Date of Patent:** **** Jan. 31, 2023**

(54) **WHEEL RIM**
(71) Applicant: **BBS GMBH**, Schiltach (DE)
(72) Inventor: **Michael Widua**, Königsfeld (DE)
(73) Assignee: **BBS GMBH**, Schiltach (DE)
(**) Term: **15 Years**

D471,503 S 3/2003 Baumgartner
D475,674 S 6/2003 Baumgartner
D476,283 S 6/2003 Baumgartner
D488,420 S * 4/2004 Murkett D12/209
(Continued)

FOREIGN PATENT DOCUMENTS

JP 11346435 12/2008
JP 11392994 7/2010

(21) Appl. No.: **29/772,788**
(22) Filed: **Mar. 4, 2021**

OTHER PUBLICATIONS

BBS TL-A, Published Jul. 28, 2021 [online], [retrieved on Jun. 29, 2022]. Retrieved from the Internet: <https://www.facebook.com/tirerack/posts/the-new-bbs-tl-a-is-a-tire-rack-exclusive-truck-wheel-made-for-the-on-and-off-ro/5853478081361269/> (Year: 2021).*
(Continued)

(30) **Foreign Application Priority Data**

Feb. 25, 2021 (EM) 008443121

(51) **LOC (14) Cl.** **12-16**
(52) **U.S. Cl.**
USPC **D12/209**

(58) **Field of Classification Search**
USPC D12/204-213; D21/563
CPC B60B 7/00; B60B 7/01; B60B 7/02; B60B 7/04; B60B 7/06; B60B 3/02; B60B 3/04; B60B 3/06; B60B 3/10; B60B 1/00; B60B 1/08; B60B 1/10; B60B 1/12
See application file for complete search history.

Primary Examiner — Cary M Robinson
Assistant Examiner — Adam C Mager
(74) *Attorney, Agent, or Firm* — Andrew F. Young; Nolte Lackenbach Siegel

(57) **CLAIM**

The ornamental design for a wheel rim, as shown and described.

(56) **References Cited**

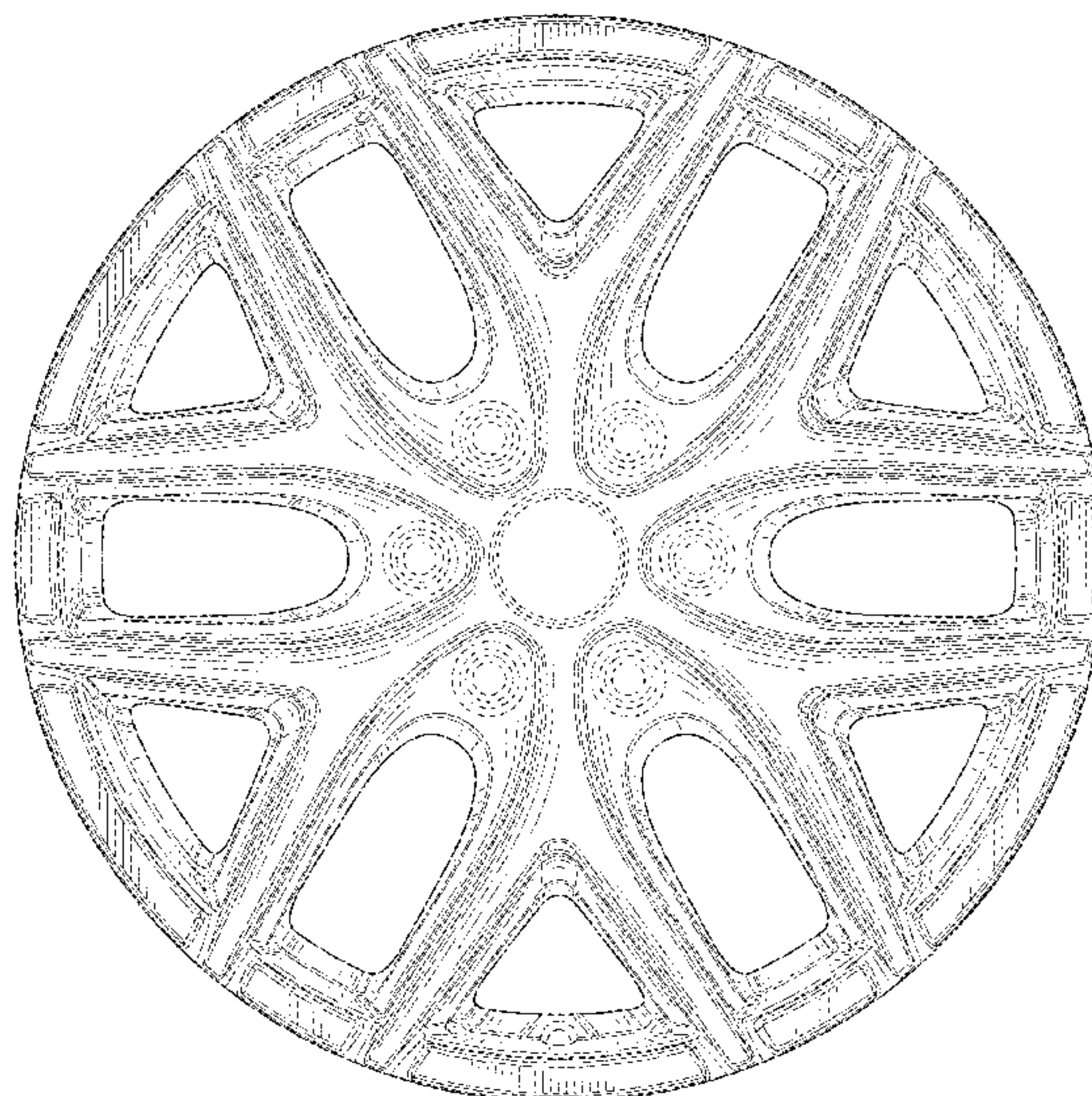
U.S. PATENT DOCUMENTS

D284,000 S 5/1986 Braungart
D329,416 S 9/1992 Braungart et al.
D333,648 S 3/1993 Schwenk
D344,924 S 3/1994 Baumgartner et al.
D348,243 S * 6/1994 Echazabal D12/211
D353,571 S 12/1994 Baumgartner et al.
D395,270 S 6/1998 Baumgartner et al.
D396,208 S 7/1998 Baumgartner et al.
D398,898 S 9/1998 Baumgartner et al.
D405,409 S 2/1999 Baumgartner
D406,092 S 2/1999 Baumgartner
D417,646 S 12/1999 Baumgartner
D423,445 S 4/2000 Baumgartner

DESCRIPTION

FIG. 1 is a front perspective view of my invention.
FIG. 2 is a rear perspective view thereof.
FIG. 3 is a front elevation view thereof.
FIG. 4 is a rear elevation view thereof.
FIG. 5 is a right side elevation view thereof.
FIG. 6 is a left side elevation view thereof.
FIG. 7 is a top plan view thereof; and,
FIG. 8 is a bottom plan view thereof.
The broken lines in the drawings are for the purpose of illustrating portions of the wheel rim that form no part of the claimed design.

1 Claim, 8 Drawing Sheets



(56)

References Cited

U.S. PATENT DOCUMENTS

D515,996 S 2/2006 Baumgartner
 D532,355 S 11/2006 Baumgartner
 D533,825 S 12/2006 Baumgartner
 D541,202 S 4/2007 Baumgartner
 D573,932 S 7/2008 Laengerer
 D592,119 S 5/2009 Heizmann
 D596,763 S 7/2009 Chappell
 D620,862 S * 8/2010 Pollmann D12/209
 D624,861 S 10/2010 Zhao
 D626,952 S 11/2010 Ding
 D645,390 S 9/2011 De Bono
 D649,102 S 11/2011 Gallert
 D649,103 S 11/2011 Gallert
 D673,099 S * 12/2012 Ender D12/211
 D727,827 S * 4/2015 Chung D12/211
 D758,274 S * 6/2016 Breyton D12/209
 D778,223 S * 2/2017 Chu D12/211
 D840,895 S * 2/2019 Luo D12/209

D853,306 S * 7/2019 Han D12/211
 D854,996 S * 7/2019 Chung D12/209
 D860,898 S * 9/2019 Han D12/209
 D865,624 S * 11/2019 Han D12/209
 D900,699 S 11/2020 Widua
 D942,914 S * 2/2022 Lee D12/209
 D964,246 S * 9/2022 Han D12/211

OTHER PUBLICATIONS

Japanese Serial No. 2014-015865, Decision of Refusal dated Sep. 9, 2015, 3 pages—English, 2 pages—Japanese.
 Japanese Design Bulletin of Design Reg. No. 0887628.
 Japanese Design Bulletin of Design Reg. No. 0887628-001-003.
 Japanese Patent Appln. Serial No. 2013-020021, Office Action dated Jan. 14, 2014, 2 pages—English, 2 pages—Japanese.
 German Patent Appln. Serial No. 2014501381, Office Action dated Jun. 4, 2014, 2 pages—English, 4—ages—German, 2 pages—Russian.

* cited by examiner

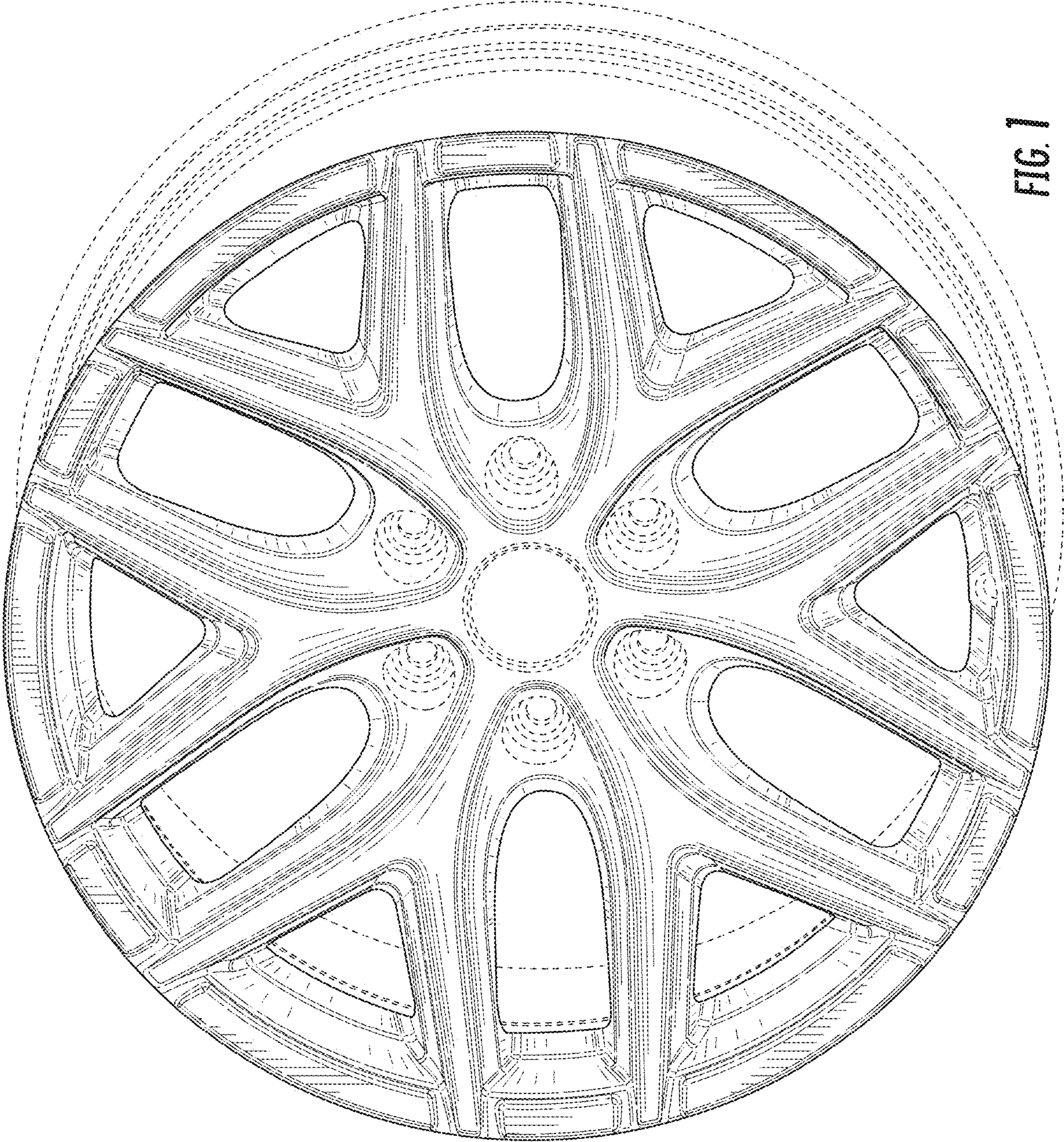


FIG. 1

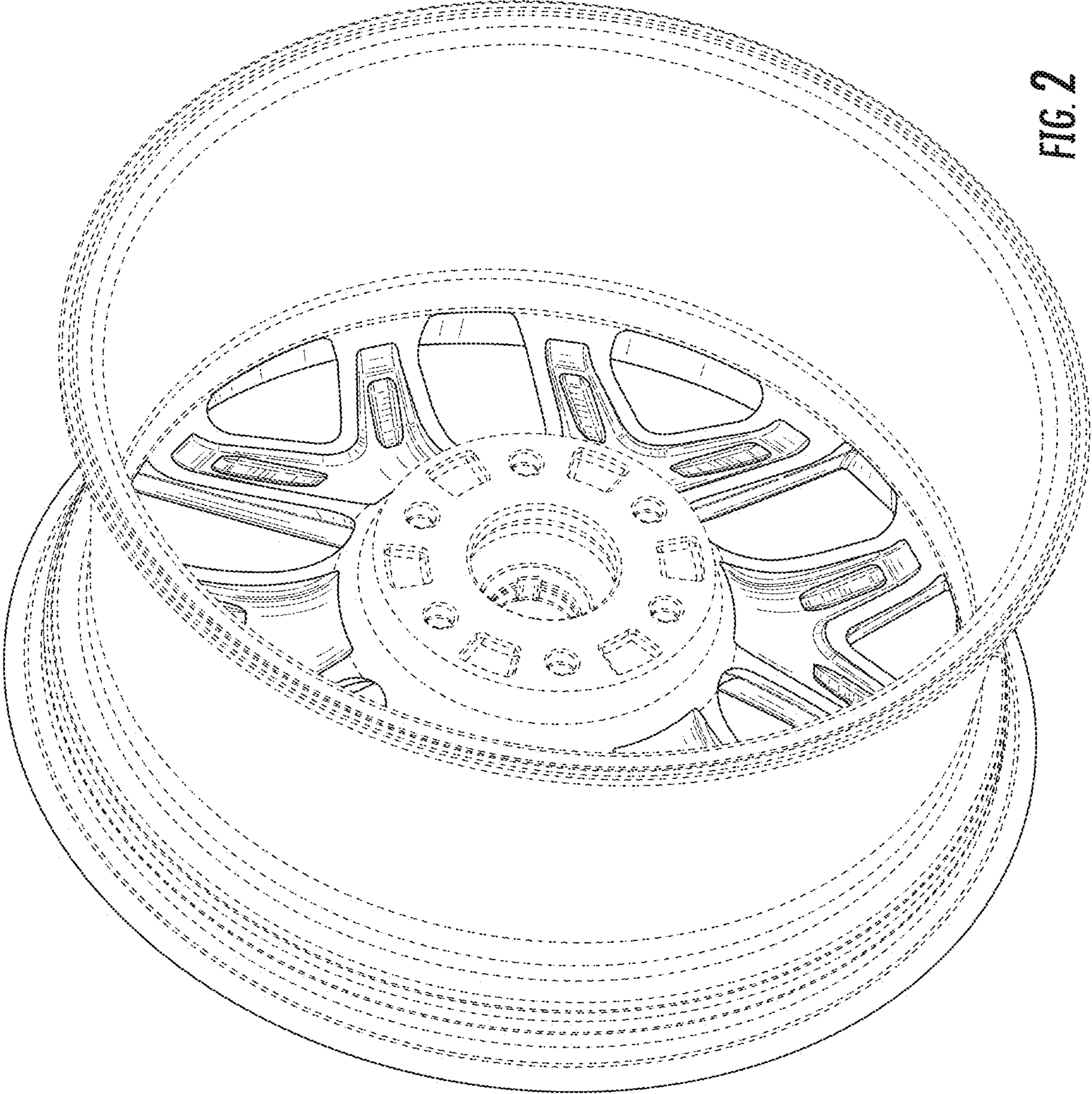


FIG. 2

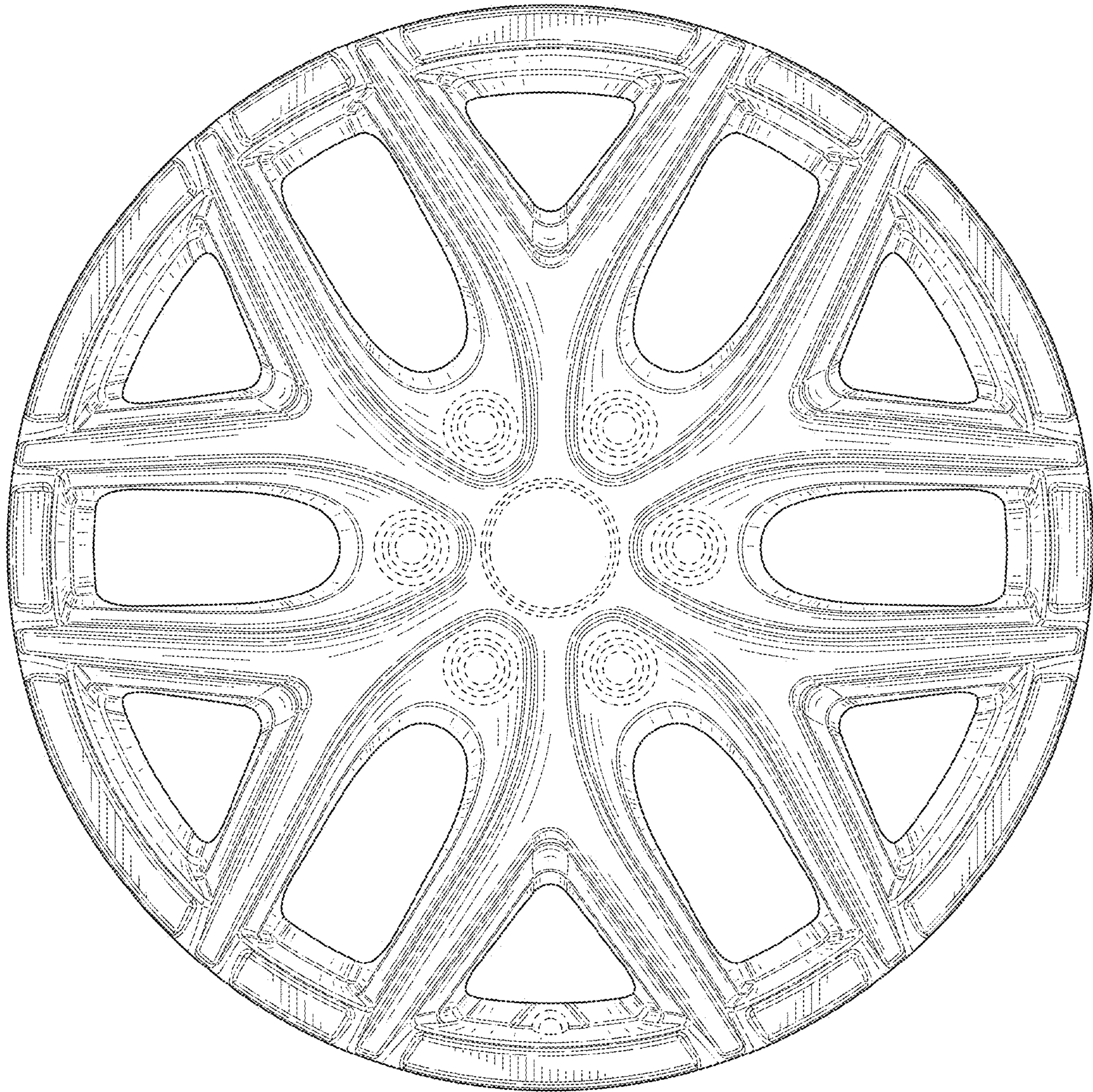


FIG. 3

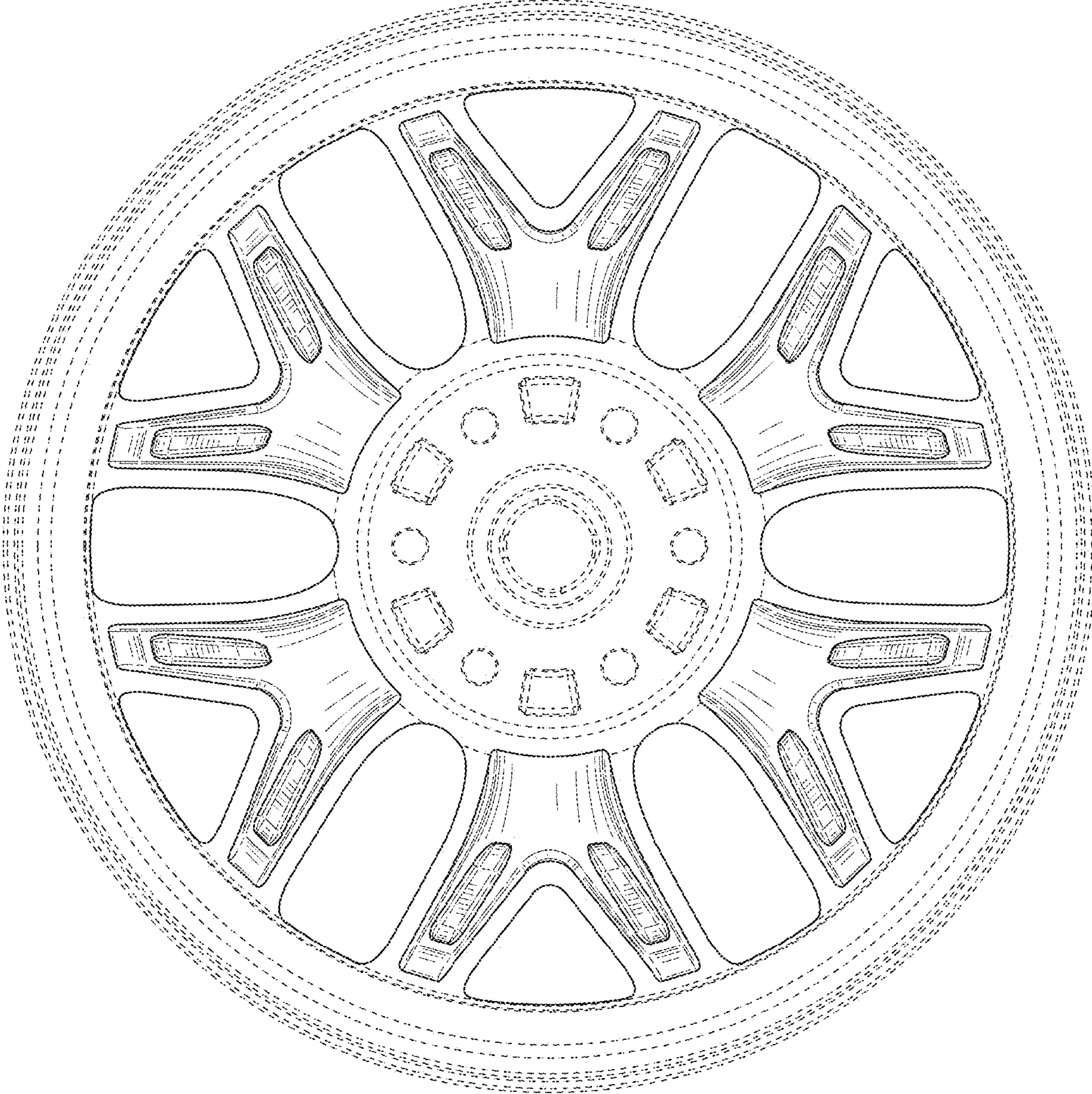


FIG. 4

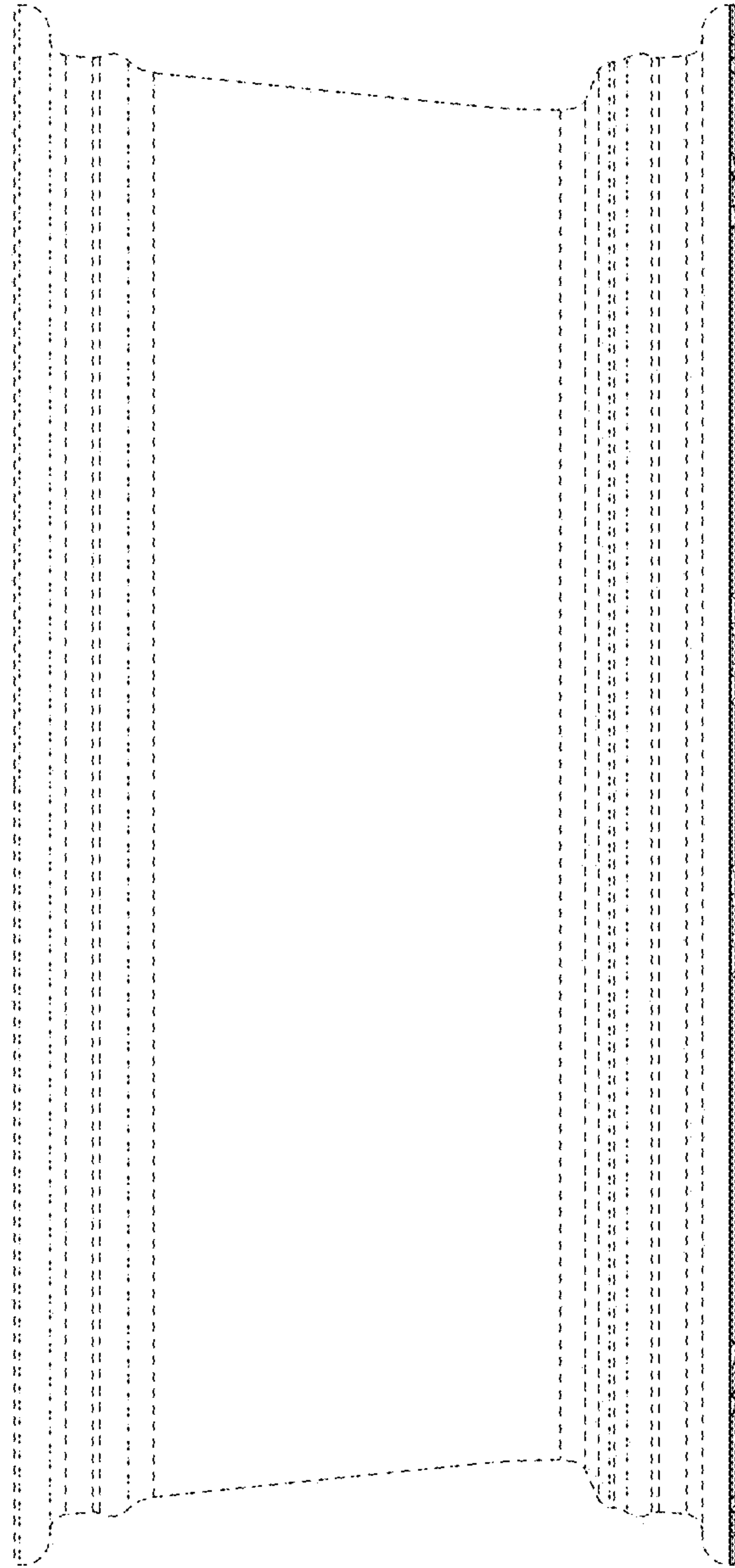


FIG. 5

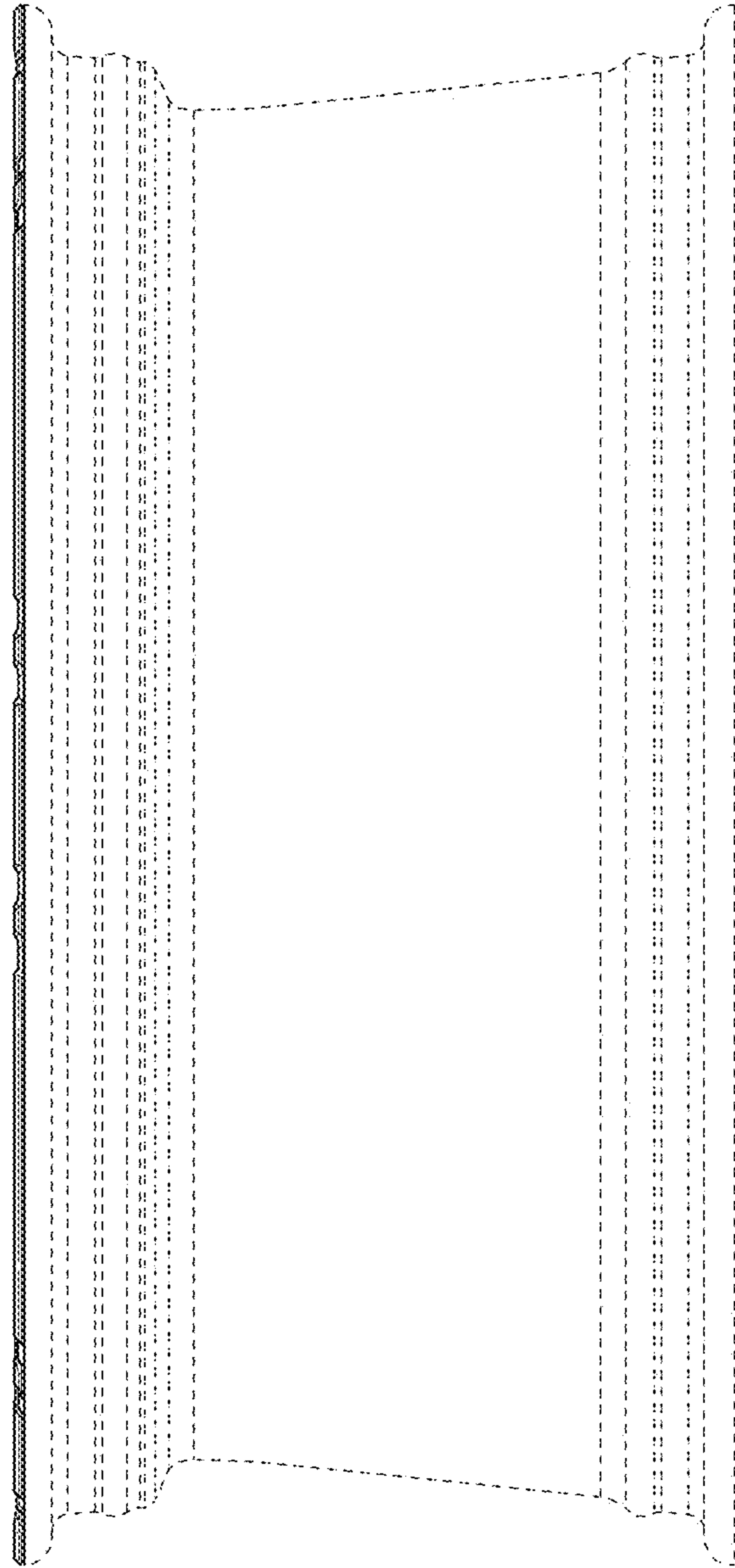


FIG. 6



FIG. 7



FIG. 8