



US00D976783S

(12) **United States Design Patent**  
**Podlovits**

(10) **Patent No.:** **US D976,783 S**  
(45) **Date of Patent:** **\*\* Jan. 31, 2023**

- (54) **WHEEL FRONT FACE**
- (71) Applicant: **Joseph F. Podlovits**, Brea, CA (US)
- (72) Inventor: **Joseph F. Podlovits**, Brea, CA (US)
- (73) Assignee: **WHEEL GROUP HOLDINGS, LLC**,  
Ontario, CA (US)
- (\*\*) Term: **15 Years**
- (21) Appl. No.: **29/753,541**
- (22) Filed: **Sep. 30, 2020**
- (51) **LOC (14) Cl.** ..... **12-16**
- (52) **U.S. Cl.**  
USPC ..... **D12/209**
- (58) **Field of Classification Search**  
USPC ..... D12/204-213; D21/563  
CPC .... B60B 7/00; B60B 7/01; B60B 7/02; B60B  
7/04; B60B 7/06; B60B 3/02; B60B 3/04;  
B60B 3/06; B60B 3/10; B60B 1/00;  
B60B 1/08; B60B 1/10; B60B 1/12  
See application file for complete search history.

D937,732 S *	12/2021	Han	.....	D12/209
D938,882 S *	12/2021	Podlovits	.....	D12/209
D940,040 S *	1/2022	Han	.....	D12/209
D942,913 S *	2/2022	Williams	.....	D12/209
D943,487 S *	2/2022	Lee	.....	D12/209
D960,065 S *	8/2022	Sempek	.....	D12/209

**OTHER PUBLICATIONS**

Ridler Custom Wheels 607, Published Jan. 28, 2020 [online], [retrieved on Jun. 24, 2022]. Retrieved from the Internet: <https://www.amazon.com/Ridler-22x10-5-5x115-Matte-Black/dp/B0848PB8ZF> (Year: 2020).\*

\* cited by examiner

*Primary Examiner* — Cary M Robinson  
*Assistant Examiner* — Adam C Mager  
(74) *Attorney, Agent, or Firm* — Law Offices of S. J. Christine Yang

(57) **CLAIM**

The ornamental design for a wheel front face, as shown and described.

**DESCRIPTION**

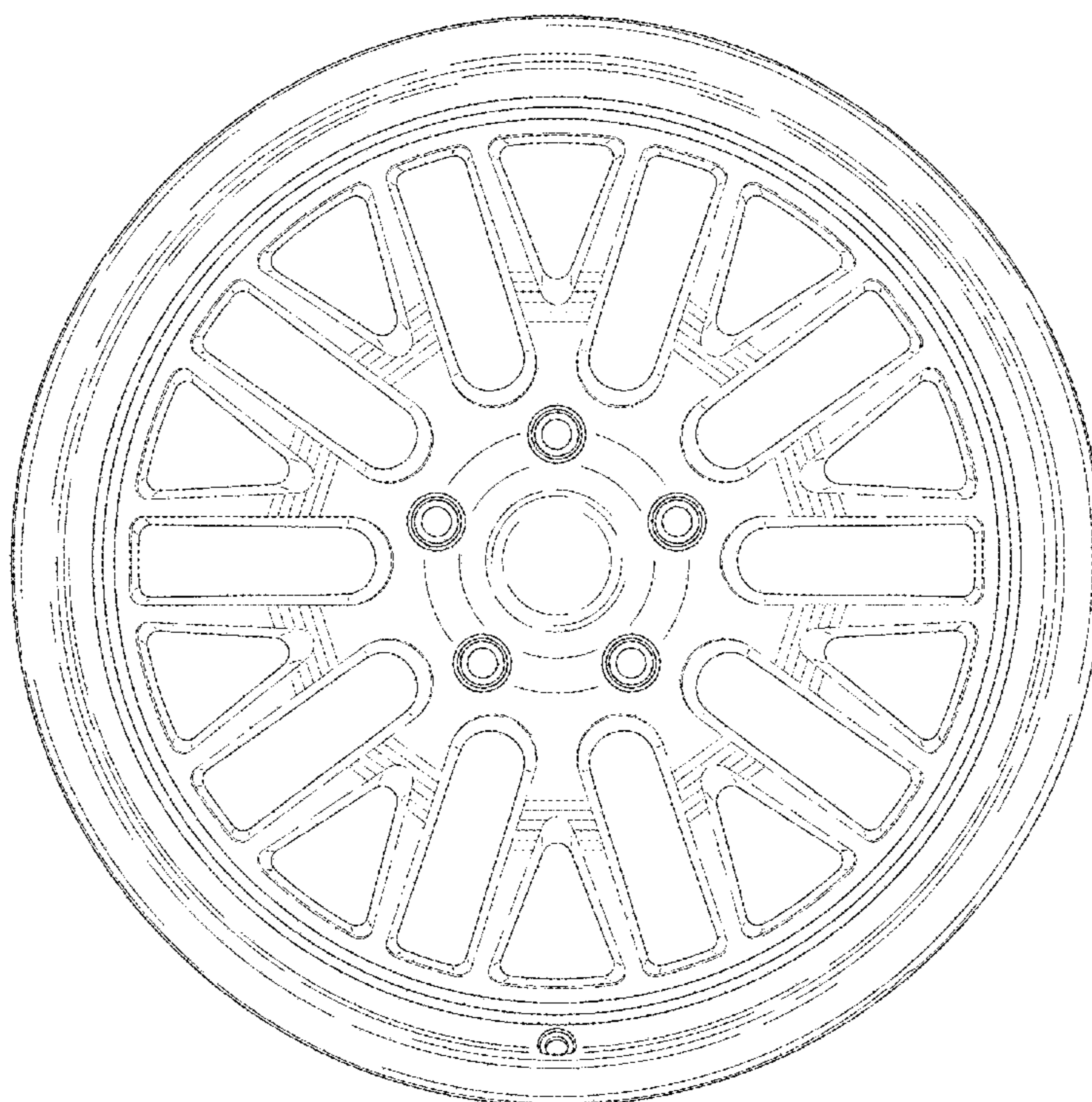
FIG. 1 is a perspective view of a wheel front face showing a new design.  
FIG. 2 is a front view thereof; and,  
FIG. 3 is a side view thereof.  
The broken lines in the drawings illustrate portions of the wheel front face in which the design is embodied and form no part of the claimed design.

**1 Claim, 3 Drawing Sheets**

(56) **References Cited**

**U.S. PATENT DOCUMENTS**

D756,282 S *	5/2016	Zhao	.....	D12/209
D760,142 S *	6/2016	Chu	.....	D12/211
D840,895 S *	2/2019	Luo	.....	D12/209
D848,926 S *	5/2019	Tran	.....	D12/209
D858,406 S *	9/2019	Johnson	.....	D12/209
D870,627 S *	12/2019	Lu	.....	D12/209
D910,525 S *	2/2021	Tran	.....	D12/209
D934,769 S *	11/2021	Sempek	.....	D12/209



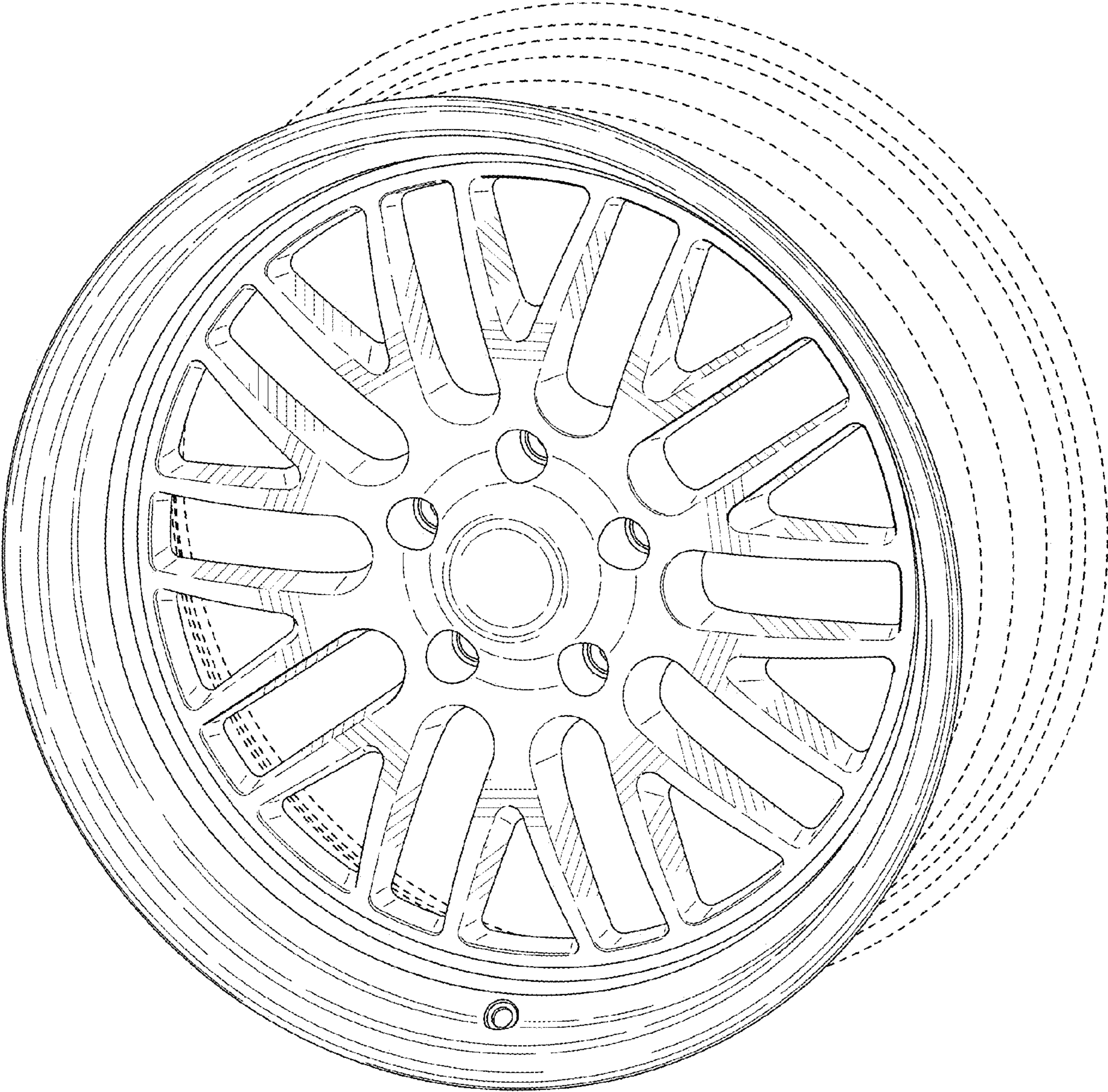


FIG. 1

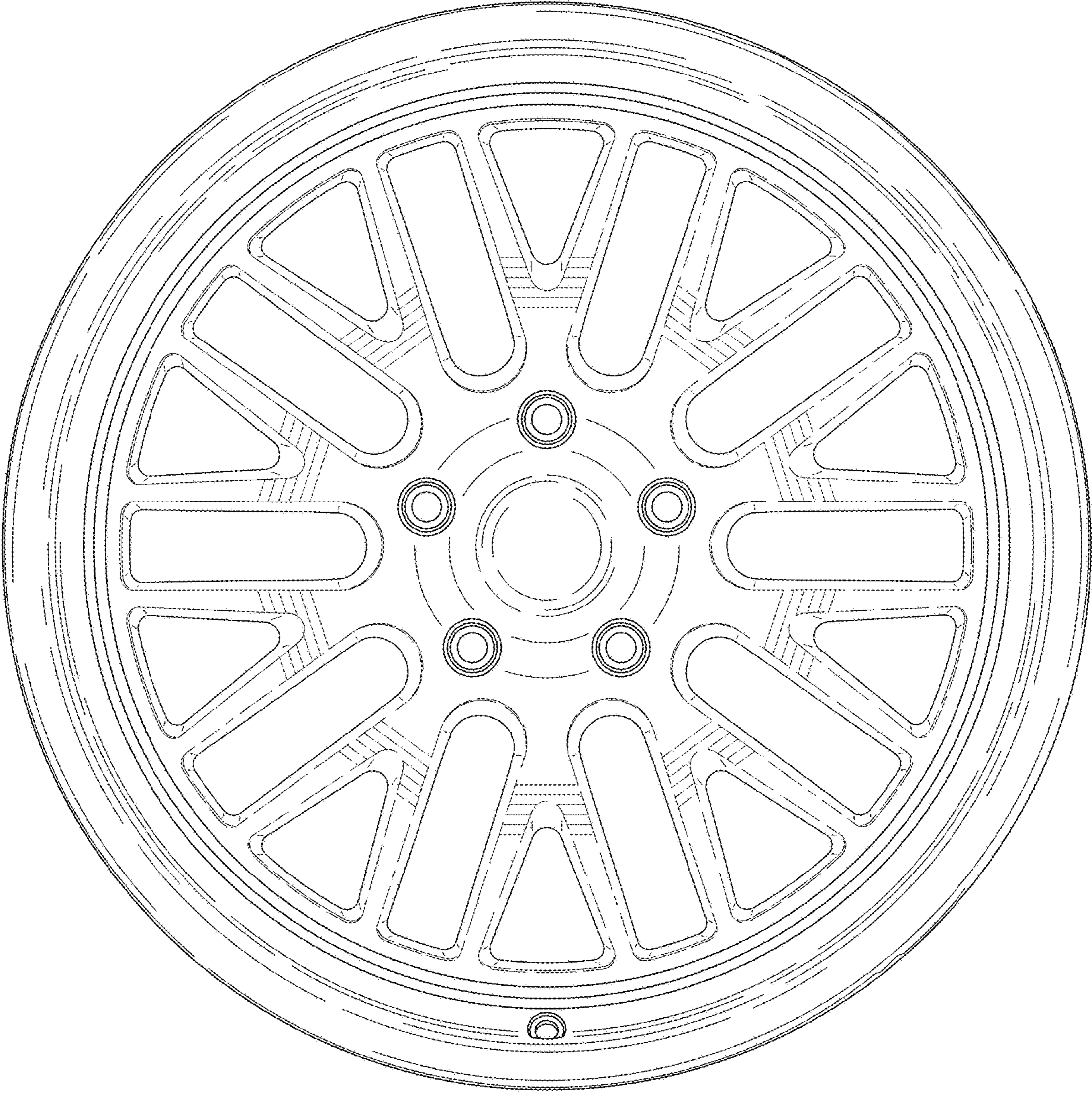


FIG. 2

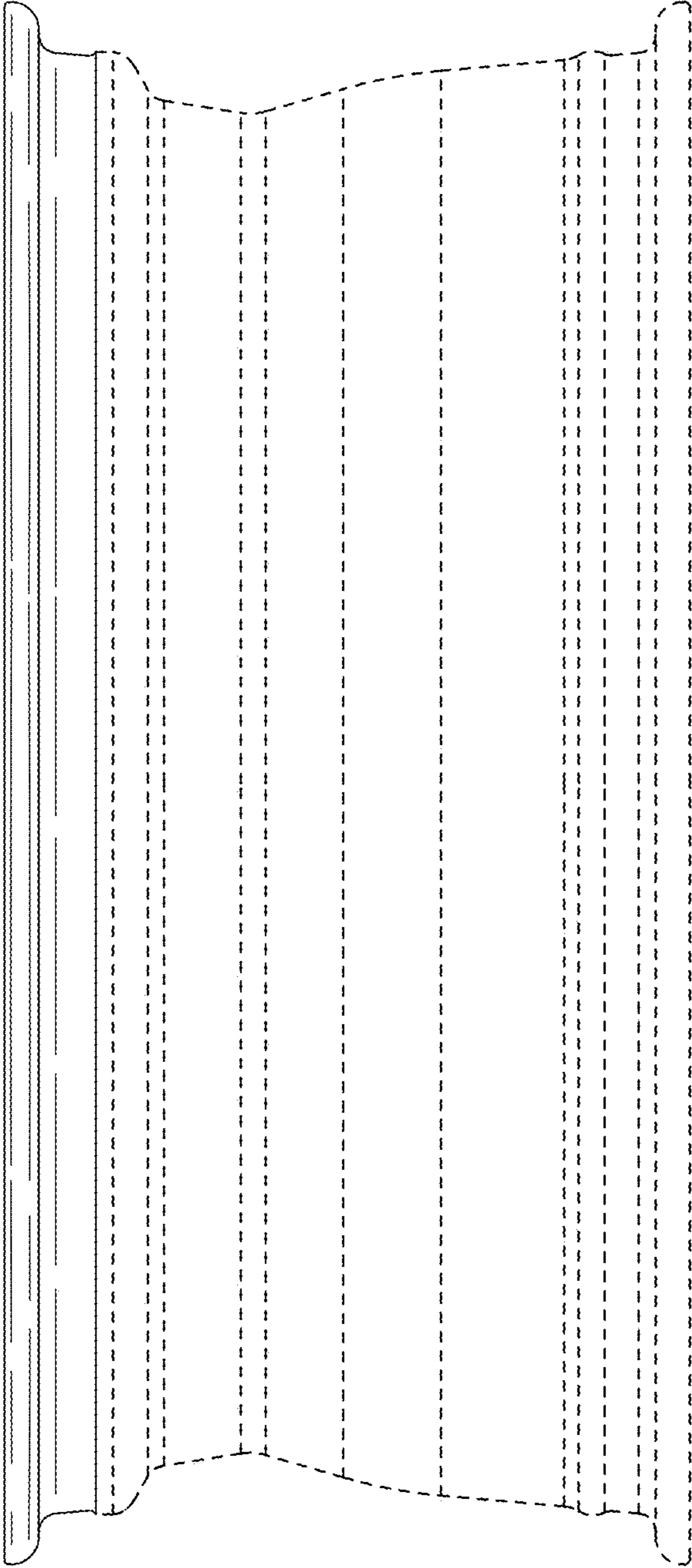


FIG. 3