



US00D976781S

(12) **United States Design Patent** (10) **Patent No.:** **US D976,781 S**
Kim et al. (45) **Date of Patent:** **** Jan. 31, 2023**

(54) **FRONT DOOR PANEL FOR AUTOMOBILE**

(71) Applicants: **HYUNDAI MOTOR COMPANY**,
Seoul (KR); **KIA CORPORATION**,
Seoul (KR)

(72) Inventors: **Han-Gyeol Kim**, Suwon-shi (KR);
Hong-Seok Choi, Inchen-shi (KR)

(**) Term: **15 Years**

(21) Appl. No.: **35/512,628**

(22) Filed: **May 31, 2021**

(80) **Hague Agreement Data**

Int. Filing Date: **May 31, 2021**

Int. Reg. No.: **DM/216291**

Int. Reg. Date: **May 31, 2021**

Int. Reg. Pub. Date: **Sep. 24, 2021**

(30) **Foreign Application Priority Data**

Jan. 28, 2021 (KR) 30-2021-0004710

(51) **LOC (14) Cl.** **12-16**

(52) **U.S. Cl.**
USPC **D12/196**

(58) **Field of Classification Search**

USPC D12/90, 91, 92, 184, 195, 196

CPC B60R 19/02; B60R 19/04; B62D 25/02;
B60J 5/00

See application file for complete search history.

(56) **References Cited**

U.S. PATENT DOCUMENTS

D823,766 S * 7/2018 Han D12/196

D860,895 S * 9/2019 Lee D12/196

D873,752 S * 1/2020 Choi D12/196

D874,372 S * 2/2020 Donfrancesco D12/195

D875,012 S * 2/2020 Lim D12/196
D890,057 S * 7/2020 Lim D12/196
D890,670 S * 7/2020 Oh D12/196
D892,696 S * 8/2020 Kim D12/196
D901,351 S * 11/2020 Kim D12/196
D915,973 S * 4/2021 Kim D12/196
D930,544 S * 9/2021 Lee D12/196
D940,623 S * 1/2022 Kim B60J 5/00
D12/196
D945,339 S * 3/2022 Lim D12/196
D945,941 S * 3/2022 Kim D12/196
D947,738 S * 4/2022 Lim D12/196
D951,839 S * 5/2022 Cho B62D 25/02
D12/196
D956,650 S * 7/2022 Bae D12/196

* cited by examiner

Primary Examiner — Bao-Yen T Nguyen

Assistant Examiner — Jerry Shiuan-Hua Hsu

(57) **CLAIM**

The ornamental design for a front door panel for automobile,
as shown and described.

DESCRIPTION

1. Front door panel for automobile

1.1 : Perspective

1.2 : Front

1.3 : Back

1.4 : Left

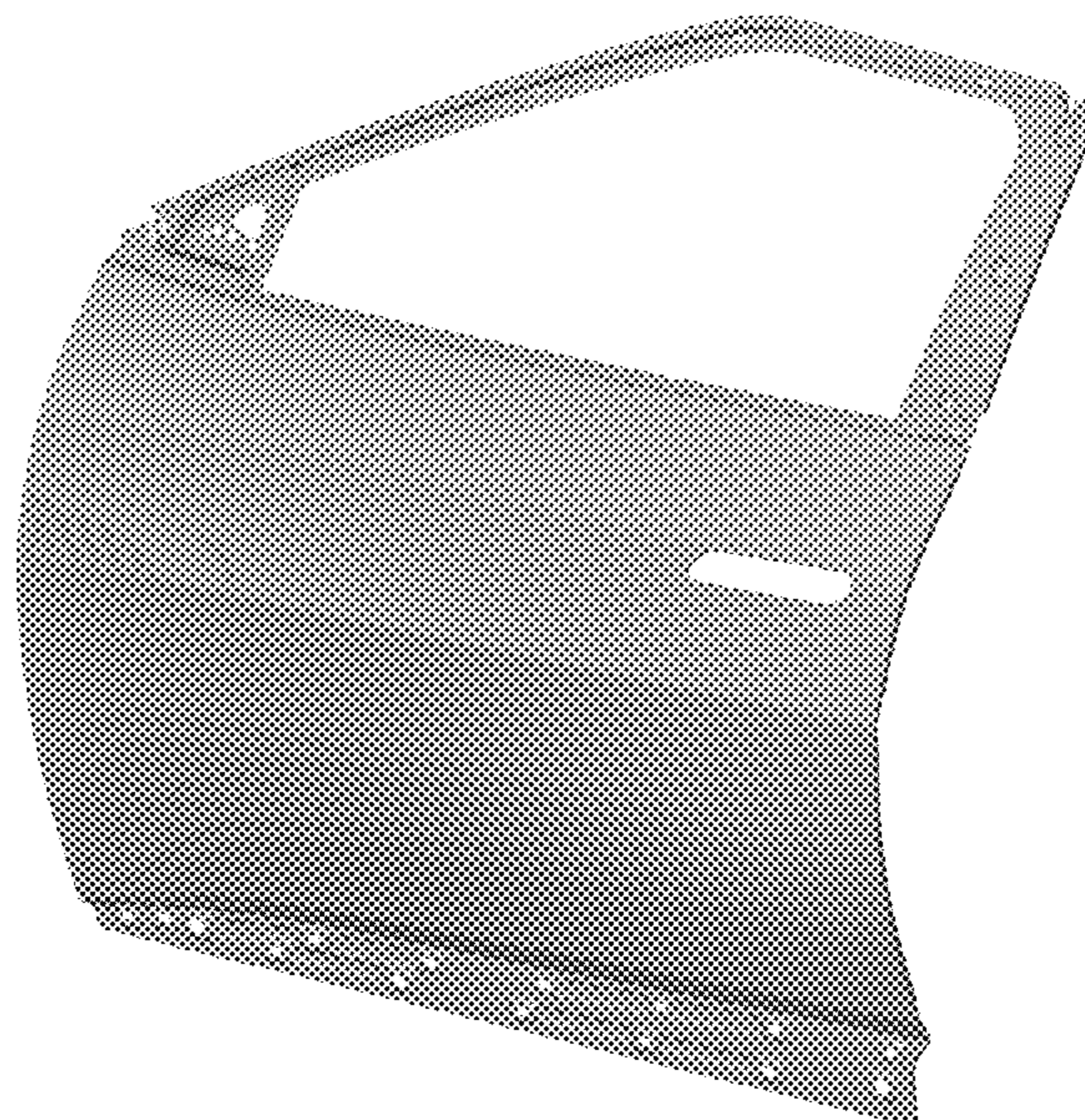
1.5 : Right

1.6 : Top

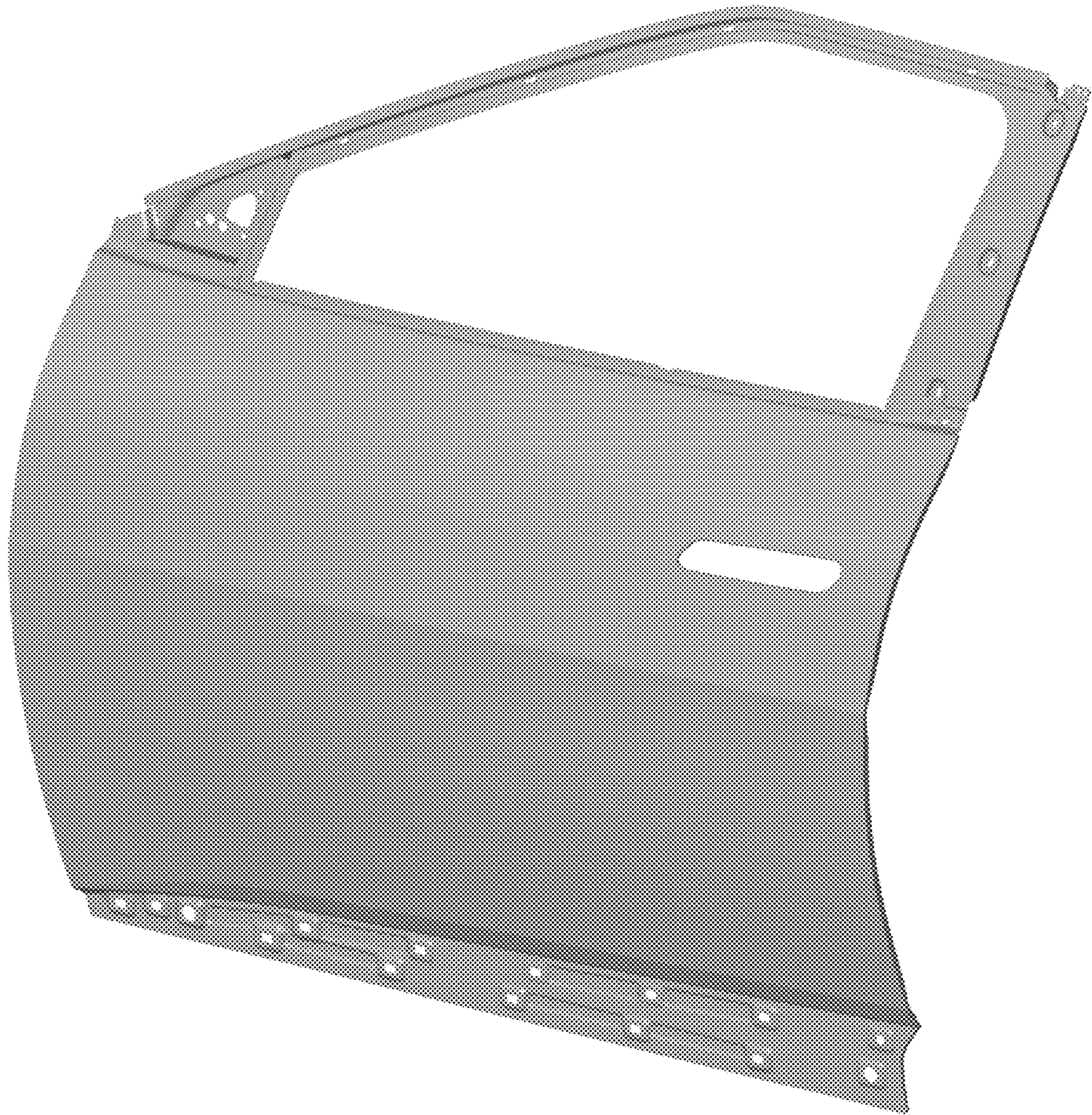
1.7 : Bottom

1.1 is a perspective view of a front door panel for automobile showing our new design; 1.2 is a front elevation view thereof; 1.3 is a rear elevation view thereof; 1.4 is a left side elevation view thereof; 1.5 is a right side elevation view thereof; 1.6 is a top plan view thereof; 1.7 is a bottom plan view thereof.

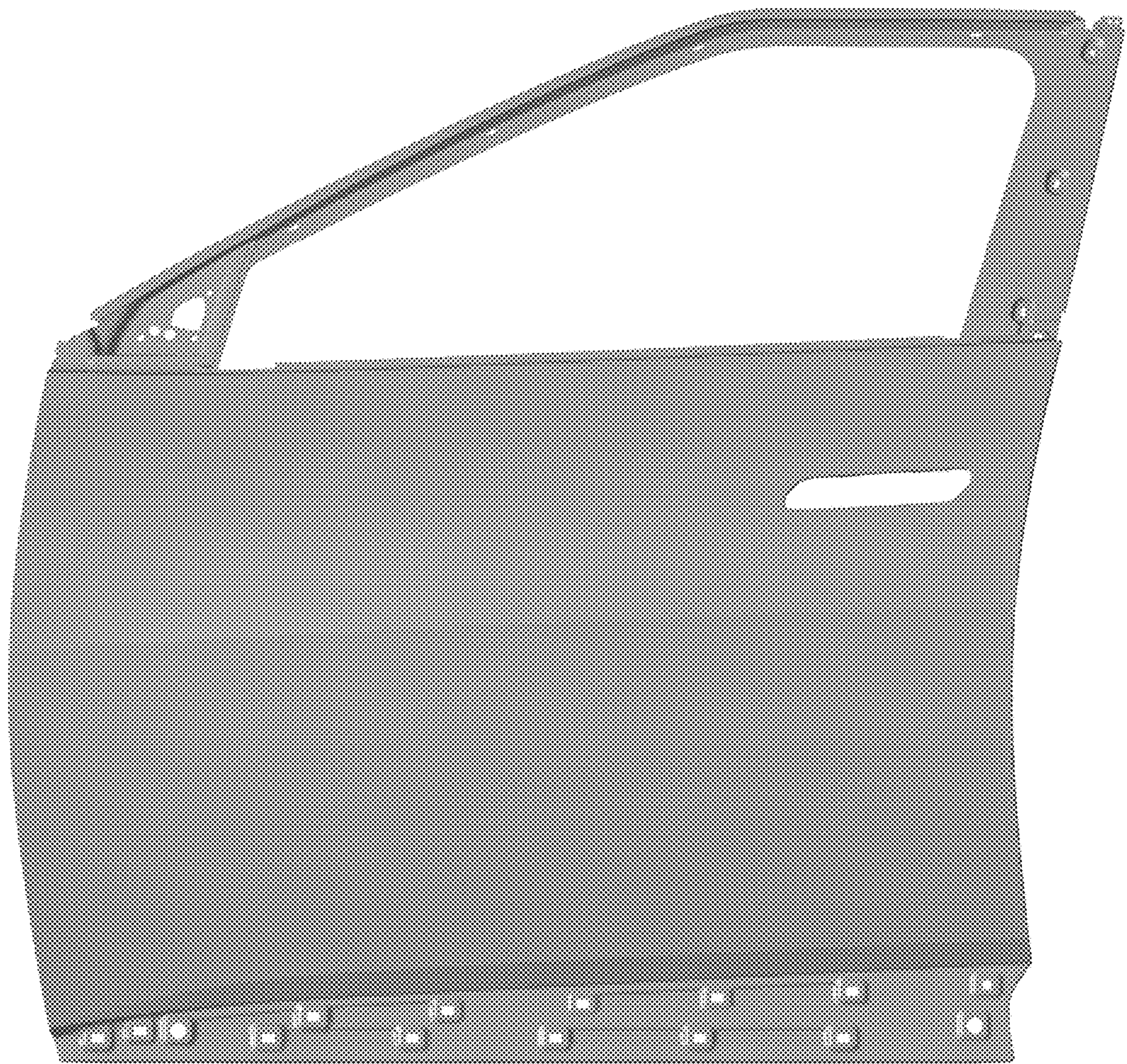
1 Claim, 7 Drawing Sheets



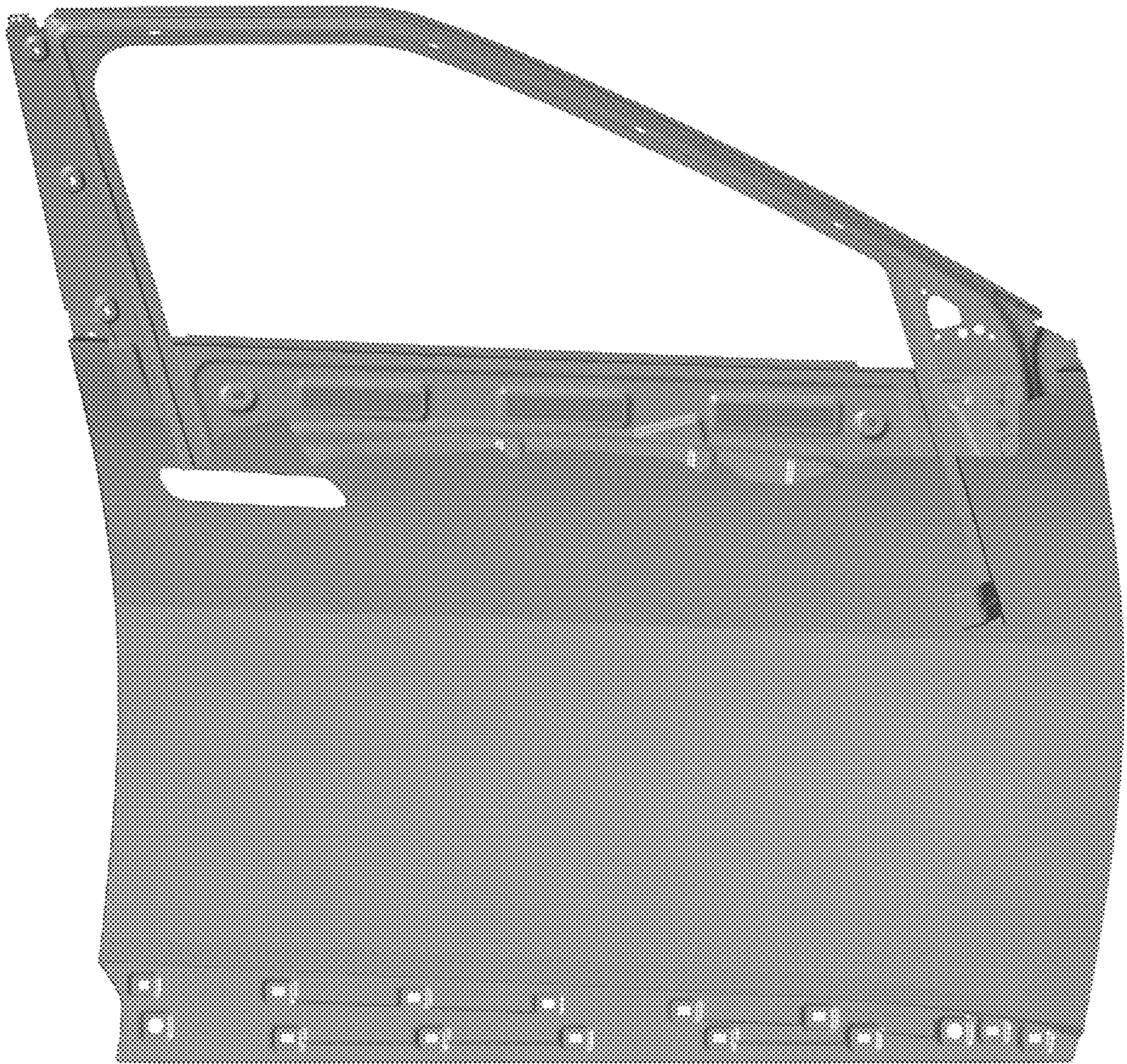
1.1



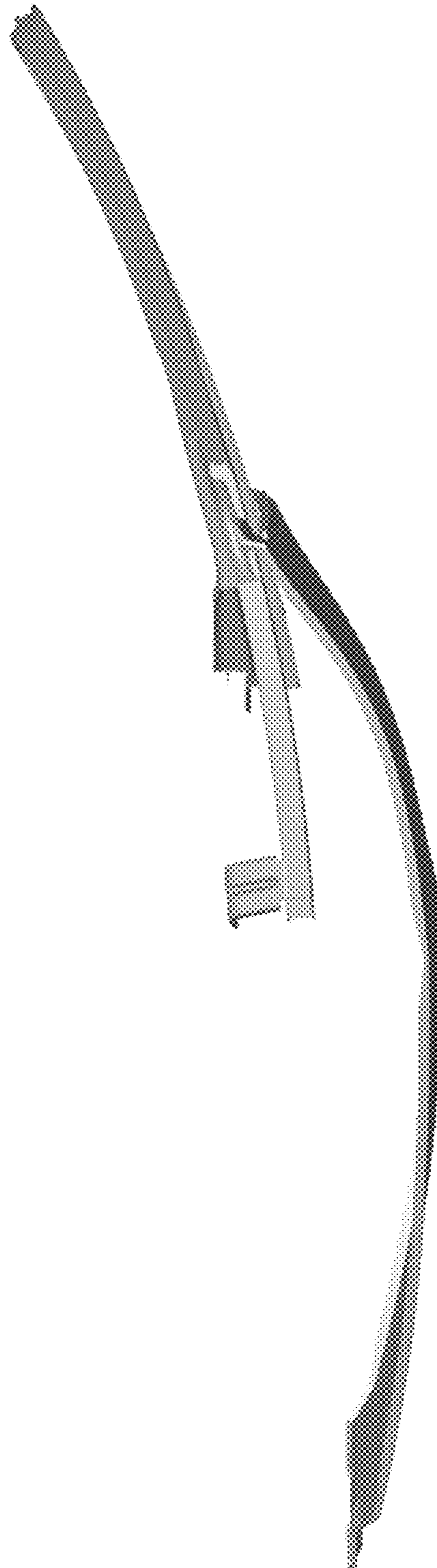
1.2



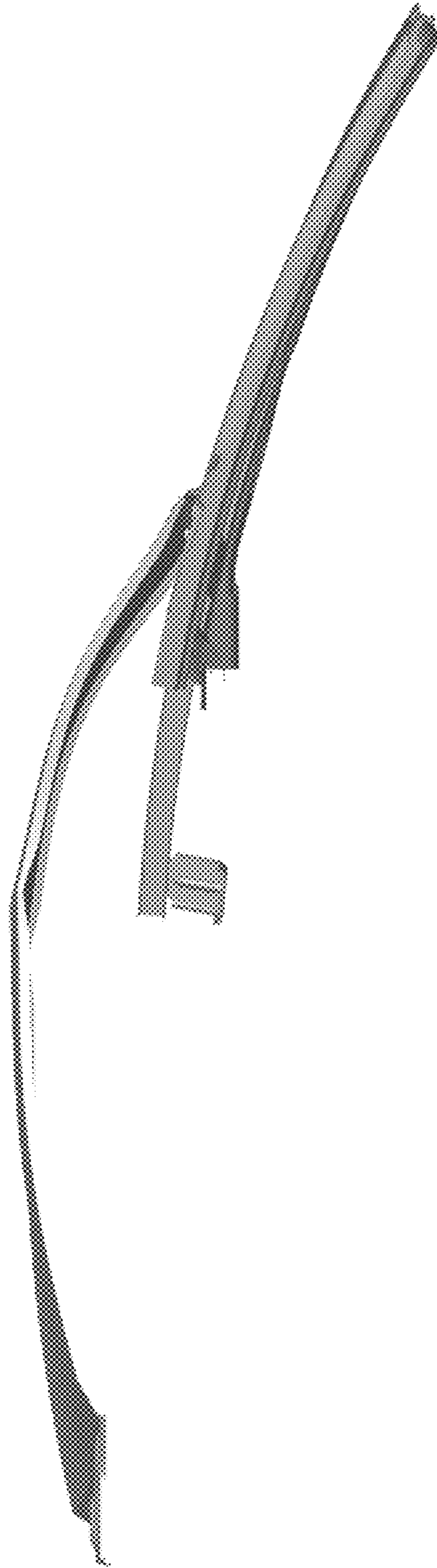
1.3



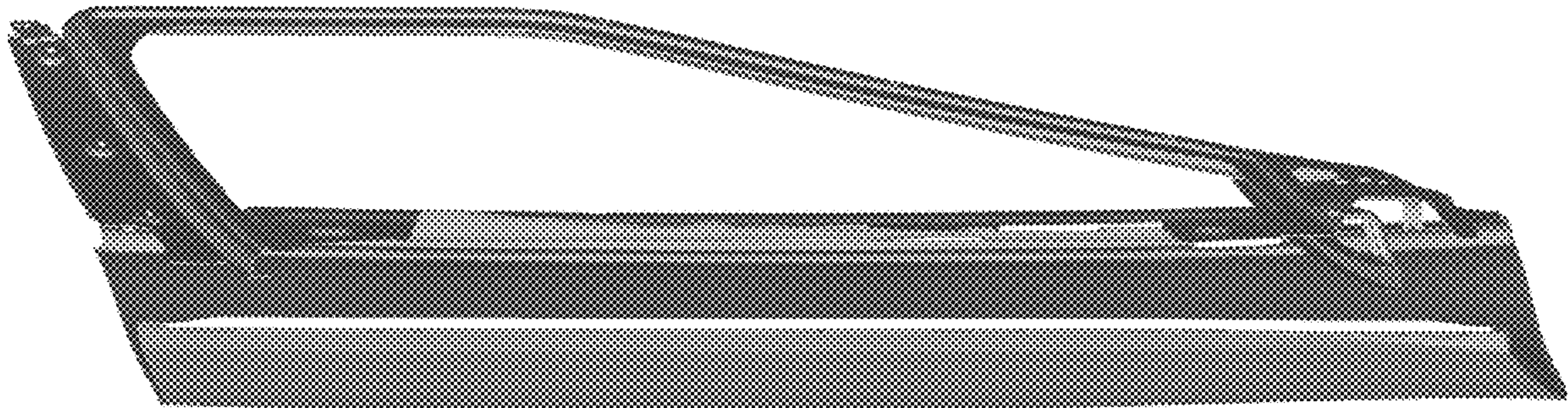
1.4



1.5



1.6



1.7

