

US00D976779S

(12) **United States Design Patent**  
**Prince**

(10) **Patent No.:** **US D976,779 S**

(45) **Date of Patent:** **\*\* Jan. 31, 2023**

(54) **AIR DEFLECTOR ASSEMBLY FOR TRUCK**

(71) Applicant: **Lenny Prince**, Lantier (CA)

(72) Inventor: **Lenny Prince**, Lantier (CA)

(\*\*) Term: **15 Years**

(21) Appl. No.: **35/512,385**

(22) Filed: **Feb. 16, 2021**

(80) **Hague Agreement Data**

Int. Filing Date: **Feb. 16, 2021**

Int. Reg. No.: **DM/212936**

Int. Reg. Date: **Feb. 16, 2021**

Int. Reg. Pub. Date: **Aug. 20, 2021**

(51) **LOC (14) Cl.** ..... **12-16**

(52) **U.S. Cl.**  
USPC ..... **D12/181**

(58) **Field of Classification Search**  
USPC ..... D12/187, 188, 189, 181, 400, 190, 196  
CPC ..... B60J 7/062  
See application file for complete search history.

(56) **References Cited**

**U.S. PATENT DOCUMENTS**

D263,040 S *	2/1982	Fitzgerald	.....	D12/181
D296,775 S *	7/1988	Hatch	.....	D12/181
D308,041 S *	5/1990	Lund	.....	D12/181
D314,545 S *	2/1991	Hutchins	.....	D12/222
D326,836 S *	6/1992	Artman	.....	D12/181
D332,769 S *	1/1993	West	.....	D12/181
D335,855 S *	5/1993	Callaway	.....	D12/181
D340,025 S *	10/1993	Brownlie	.....	D12/181

D384,317 S *	9/1997	Jahnke	.....	D12/181
D424,495 S *	5/2000	Damon	.....	D12/196
D424,496 S *	5/2000	Damon	.....	D12/196
D482,303 S *	11/2003	Shea	.....	D12/181
6,793,273 B1 *	9/2004	Tuerk	.....	B60J 7/062 296/180.1
D637,536 S *	5/2011	Peltola	.....	D12/190
D854,470 S *	7/2019	Haws	.....	D12/181
D891,340 S *	7/2020	Smith	.....	D12/196
D912,585 S *	3/2021	Pereira	.....	D12/181
D937,719 S *	12/2021	Prince	.....	D12/187

\* cited by examiner

*Primary Examiner* — Bao-Yen T Nguyen

*Assistant Examiner* — Jerry Shiuan-Hua Hsu

(57) **CLAIM**

The ornamental design for an air deflector assembly for truck, as shown and described.

**DESCRIPTION**

1. Air deflector assembly for truck

1.1 : Perspective

1.2 : Top

1.3 : Bottom

1.4 : Front

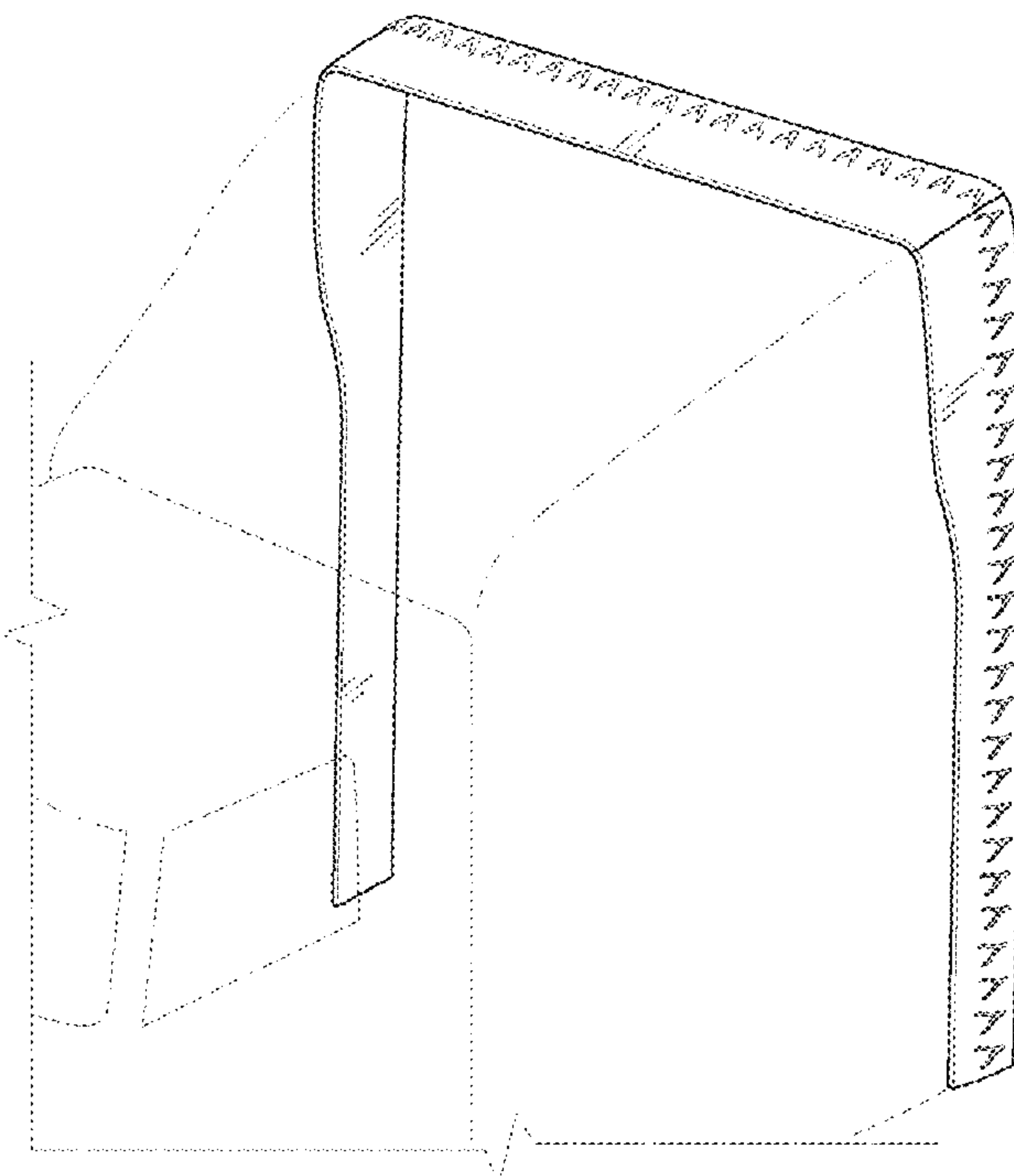
1.5 : Back

1.6 : Right

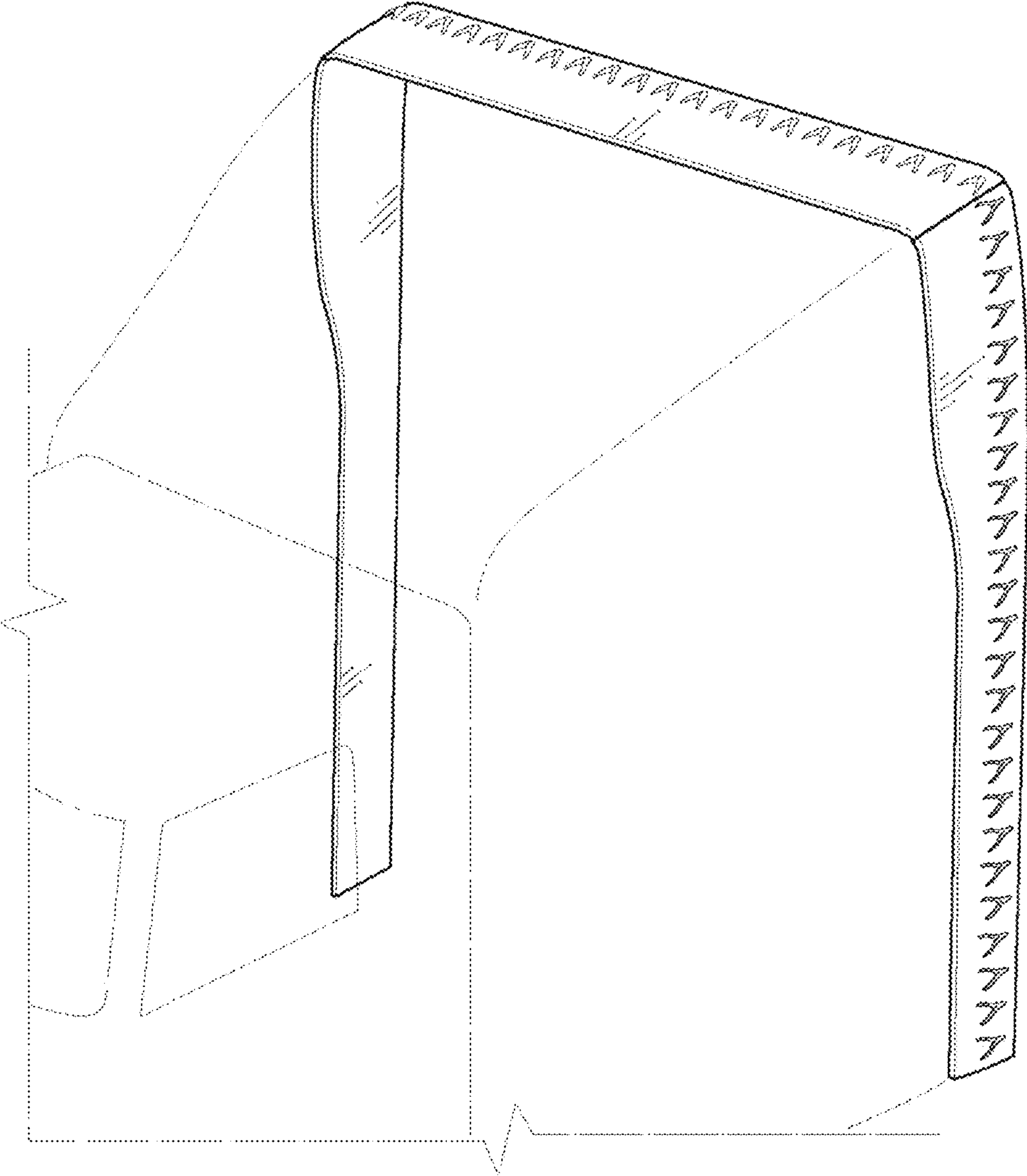
1.7 : Enlarged

Disclosed herein is a design for an Air Deflector Assembly for Truck; the front end of the truck shown in Figure 1.1 shown in broken lines does not form part of the design; a left side view is omitted as it is a mirror image of the right side view; Figure 1.7 is an enlarged view of one of the wishbone-shaped elements shown in Figures 1.1 to 1.6.

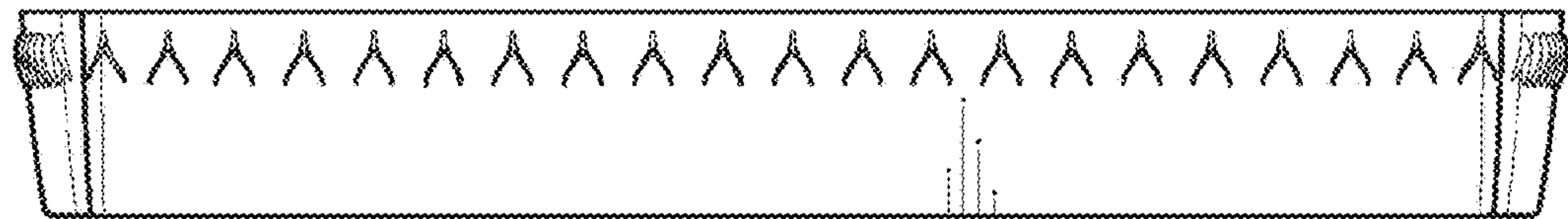
**1 Claim, 7 Drawing Sheets**



1.1



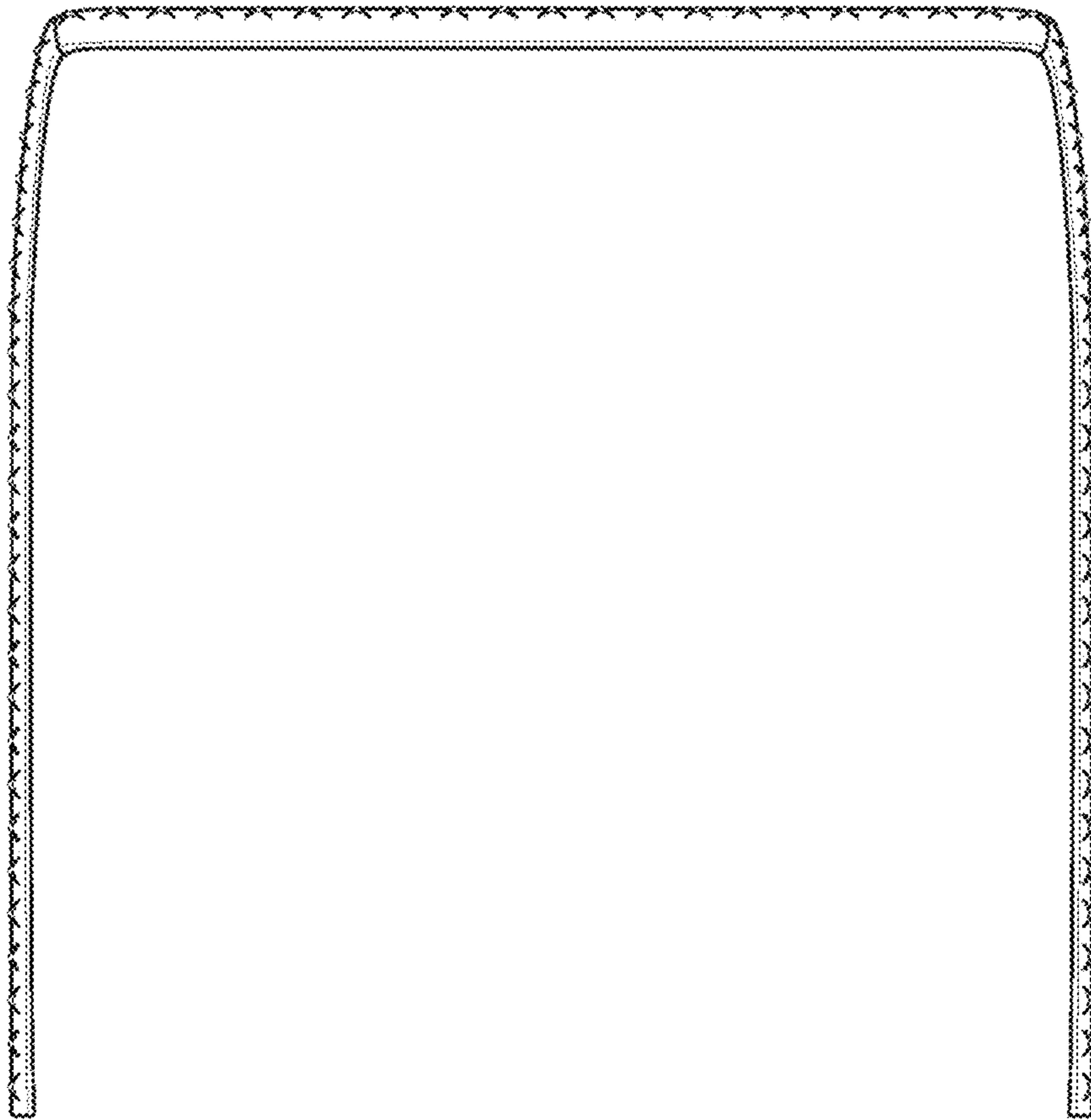
1.2



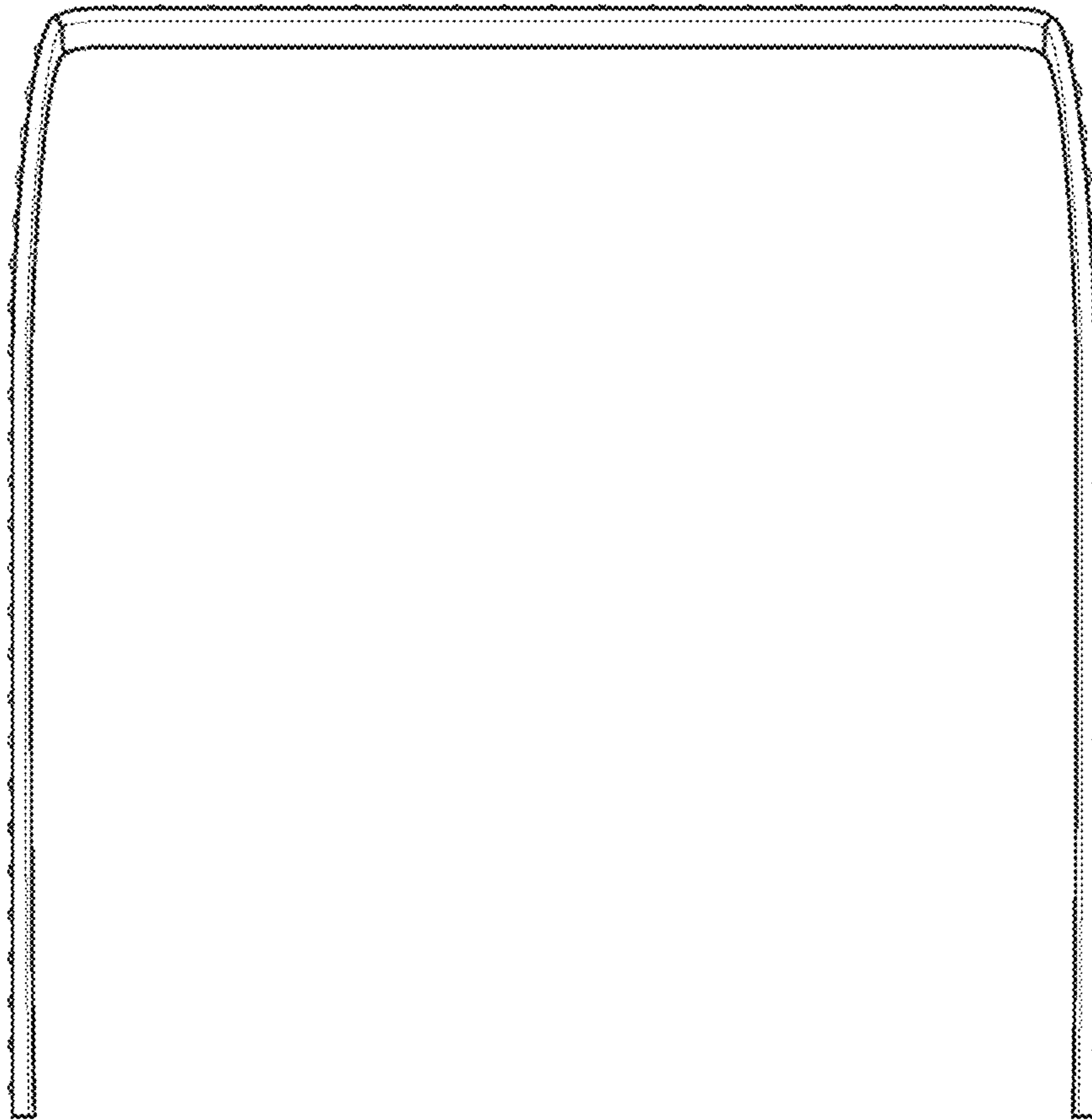
1.3



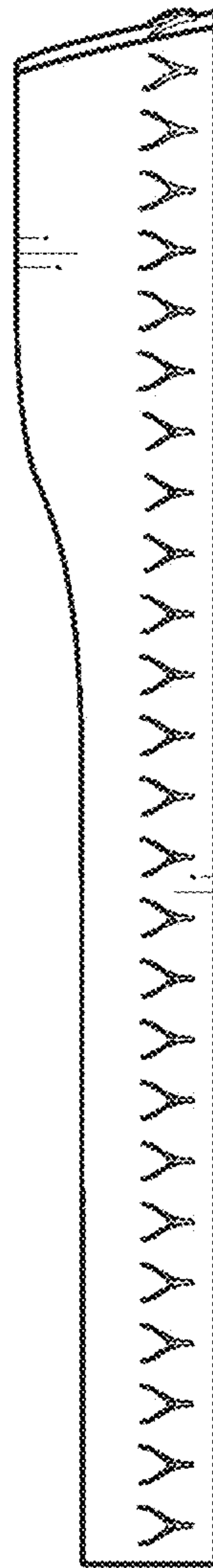
1.4



1.5



1.6



1.7

