



US00D976774S

(12) **United States Design Patent**  
**Kim et al.**

(10) **Patent No.:** **US D976,774 S**  
(45) **Date of Patent:** **\*\* Jan. 31, 2023**

(54) **REAR BUMPER UPPER COVER FOR  
AUTOMOBILE**

(71) Applicants: **Hyundai Motor Company**, Seoul  
(KR); **Kia Corporation**, Seoul (KR)

(72) Inventors: **Jang Kim**, Superior Township, MI  
(US); **Bradley Arnold**, Superior  
Township, MI (US)

(73) Assignees: **Hyundai Motor Company**, Seoul  
(KR); **Kia Corporation**, Seoul (KR)

(\*\*) Term: **15 Years**

(21) Appl. No.: **29/779,341**

(22) Filed: **Apr. 19, 2021**

(51) **LOC (14) Cl.** ..... **12-16**

(52) **U.S. Cl.**  
USPC ..... **D12/169**

(58) **Field of Classification Search**  
USPC .... D12/86, 90, 91, 92, 93, 96, 97, 163, 169,  
D12/171, 172, 173, 196, 216  
CPC ..... B60R 19/02; B60R 19/04; B62D 25/08  
See application file for complete search history.

(56) **References Cited**

**U.S. PATENT DOCUMENTS**

D614,105 S *	4/2010	Elliott	.....	D12/169
D681,516 S *	5/2013	Jara	.....	D12/196
D751,007 S *	3/2016	Curie	.....	D12/196
D771,538 S *	11/2016	Brzustowicz	.....	D12/172
D927,372 S *	8/2021	Phan	.....	D12/169
D930,521 S *	9/2021	Choi	.....	D12/169
D933,551 S *	10/2021	Wraith	.....	D12/169
D937,151 S *	11/2021	Wraith	.....	D12/169
D937,156 S *	11/2021	Kaoud	.....	D12/169
D945,331 S *	3/2022	Koo	.....	D12/169
D954,615 S *	6/2022	Hamilton	.....	D12/169
D955,940 S *	6/2022	Buller	.....	D12/169
D960,058 S *	8/2022	Phan	.....	D12/169

**OTHER PUBLICATIONS**

Bumpers. (Design—© Questel) orbit.com. [Online PDF compilation of references] 48 pgs. Print Dates Range May 27, 2022-Feb. 23, 2022 [Retrieved Sep. 7, 2022].\*

Replacement 2017 Ford Escape—Bumper End. 2017. Car Parts. [https://www.carparts.com/details/Ford/Escape/Replacement/Bumper\\_End/2017/RF76110004Q.html?TID=gglpla&origin=&utm\\_source=google&utm\\_medium=pla&utm\\_campaign=12175862315&gclid=EALalQobChMI3u3j1f6D-glVFhmtBh0N9Ar4EAKYAiABEgL7FvD\\_BwE&gclidsrc=aw.ds.\\*](https://www.carparts.com/details/Ford/Escape/Replacement/Bumper_End/2017/RF76110004Q.html?TID=gglpla&origin=&utm_source=google&utm_medium=pla&utm_campaign=12175862315&gclid=EALalQobChMI3u3j1f6D-glVFhmtBh0N9Ar4EAKYAiABEgL7FvD_BwE&gclidsrc=aw.ds.*)

Ford Transit Custom Rear Bumper Corner. OI Media. [https://www.oimedia.com/index.php?main\\_page=product\\_info&products\\_id=795125.\\*](https://www.oimedia.com/index.php?main_page=product_info&products_id=795125.*)

Buick Enclave Rear Bumper. 2018. eBay, [https://www.ebay.com/itm/363633086168.\\*](https://www.ebay.com/itm/363633086168.*)

\* cited by examiner

*Primary Examiner* — George D. Kirschbaum

*Assistant Examiner* — Suzanne E Tisdell

(74) *Attorney, Agent, or Firm* — Fox Rothschild LLP

(57) **CLAIM**

The ornamental design for a rear bumper upper cover for automobile, as shown and described.

**DESCRIPTION**

FIG. 1 is a perspective view of a rear bumper upper cover for automobile according to the present invention.

FIG. 2 is a front view of the rear bumper upper cover for automobile of FIG. 1.

FIG. 3 is a rear view of the rear bumper upper cover for automobile of FIG. 1.

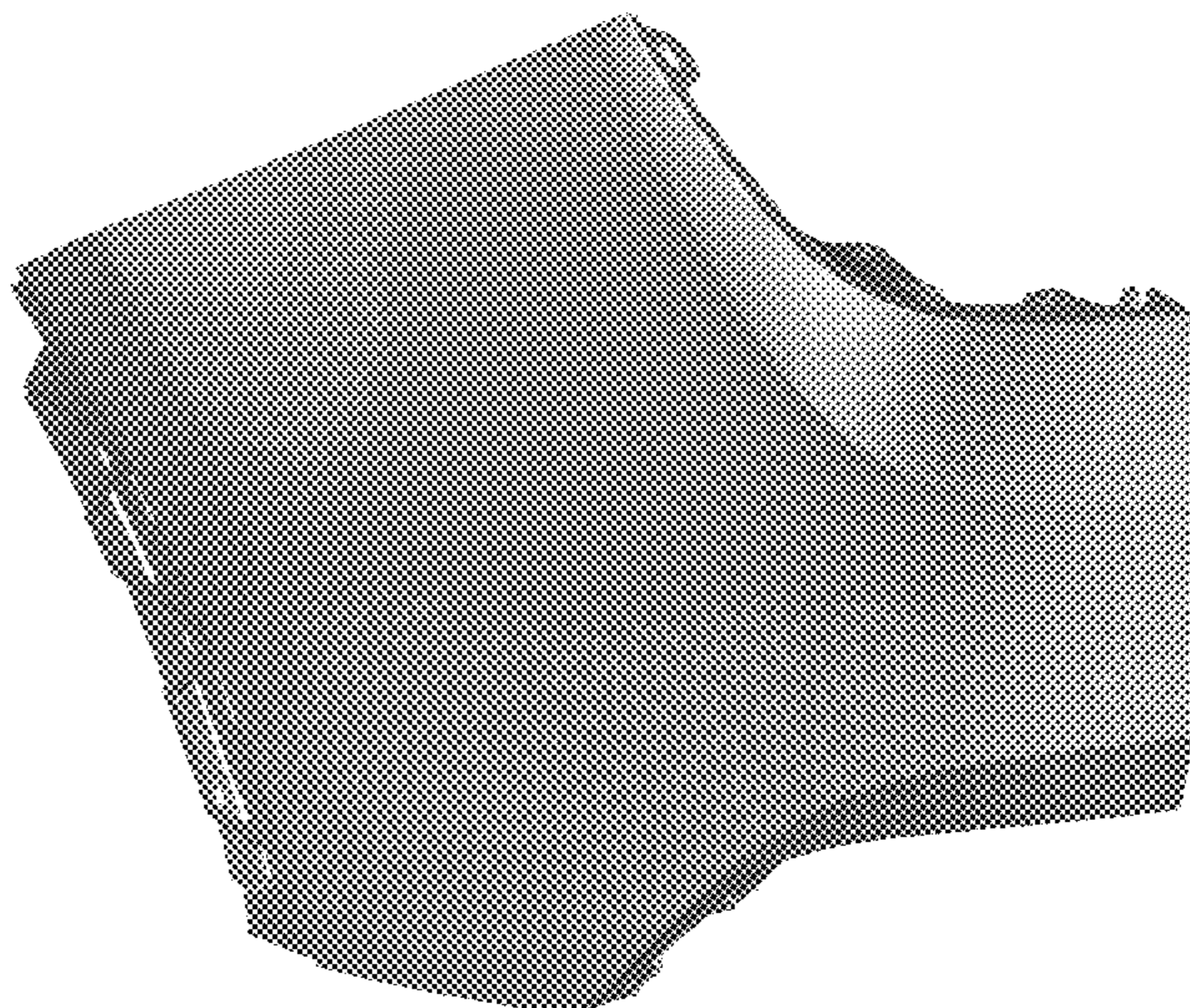
FIG. 4 is a left side view of the rear bumper upper cover for automobile of FIG. 1.

FIG. 5 is a right side view of the rear bumper upper cover for automobile of FIG. 1.

FIG. 6 is a top view of the rear bumper upper cover for automobile of FIG. 1; and,

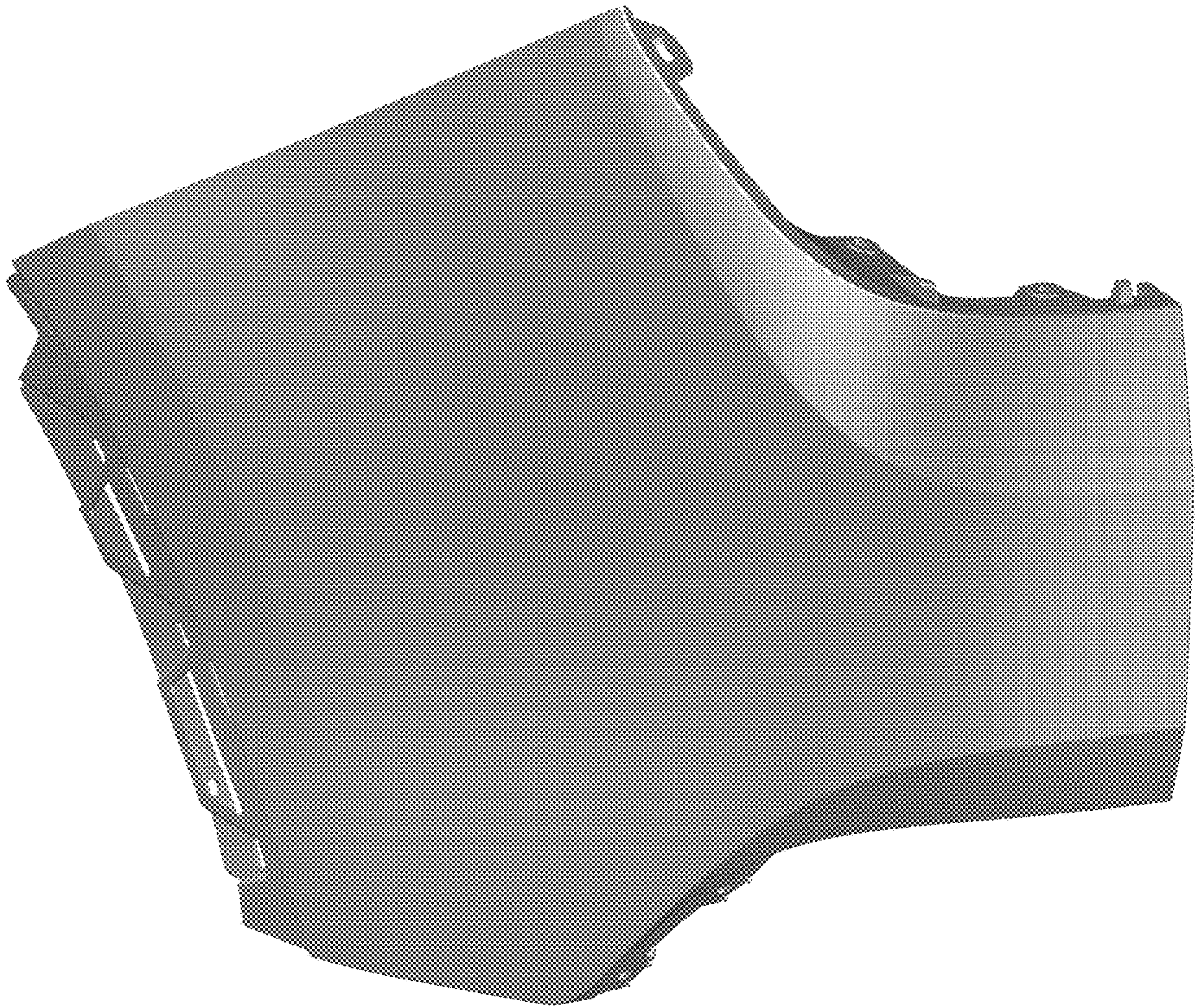
FIG. 7 is a bottom view of the rear bumper upper cover for automobile of FIG. 1.

**1 Claim, 7 Drawing Sheets**

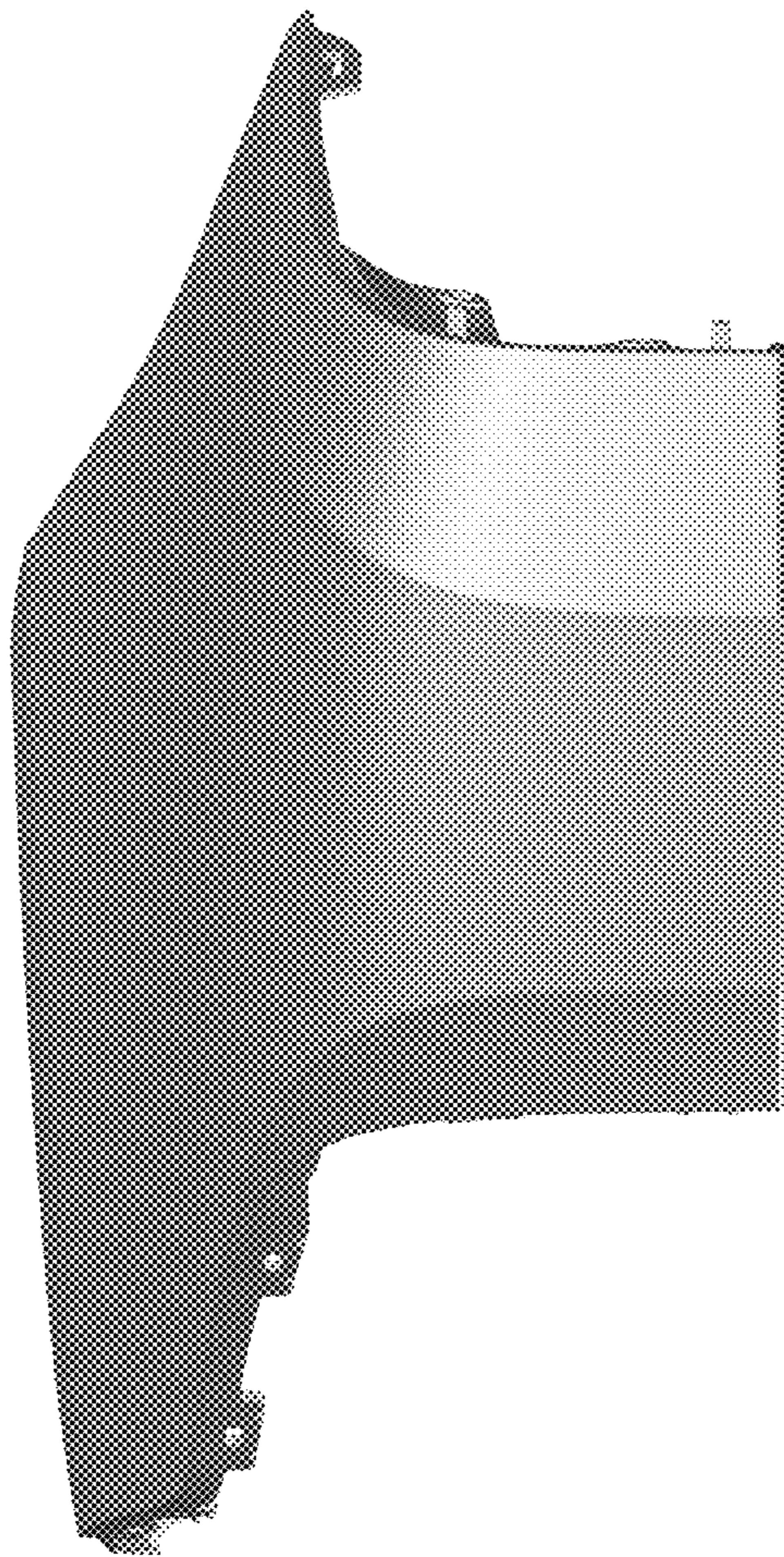




**FIG. 1**

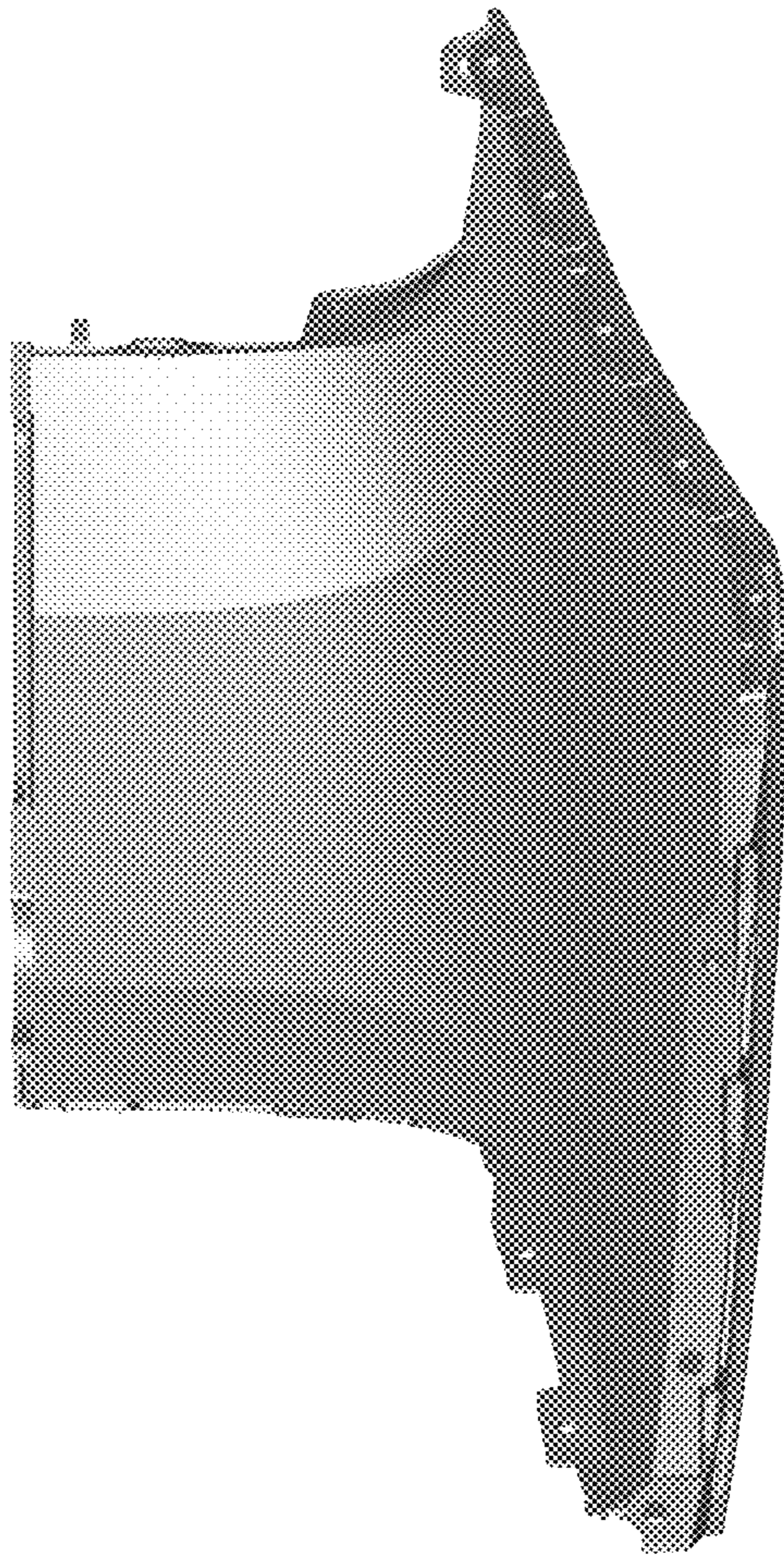


**FIG. 2**





**FIG. 3**



**FIG. 4**

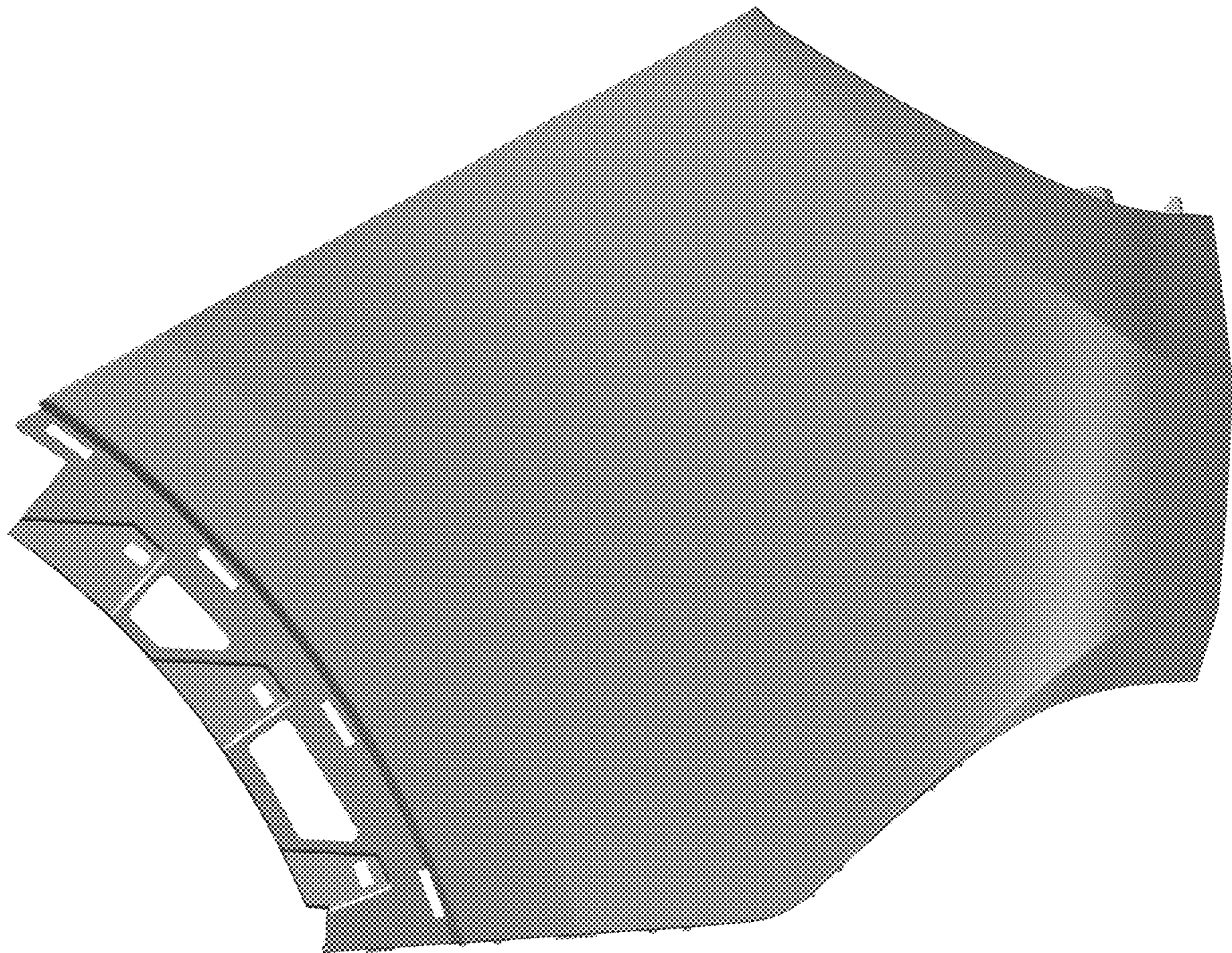
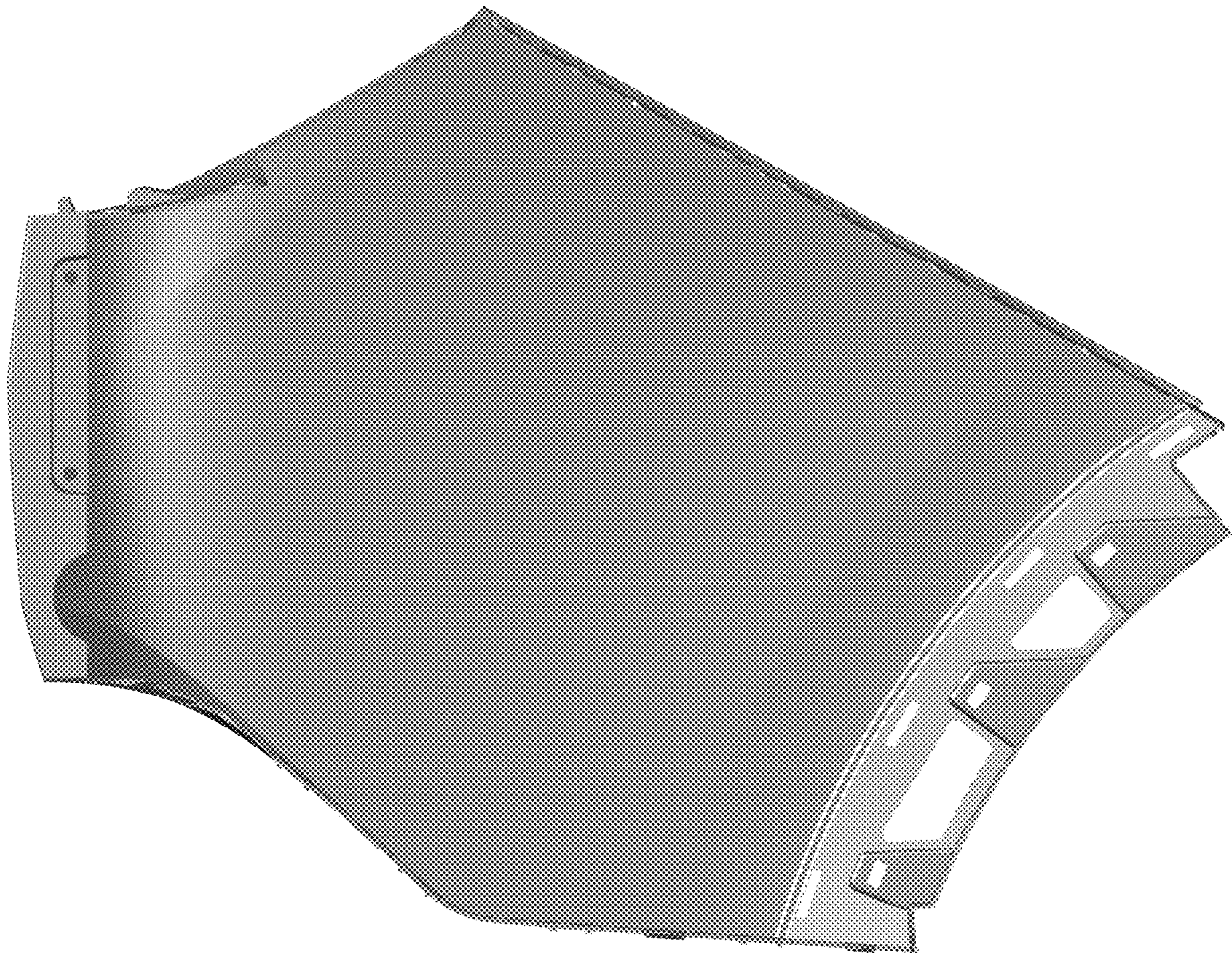
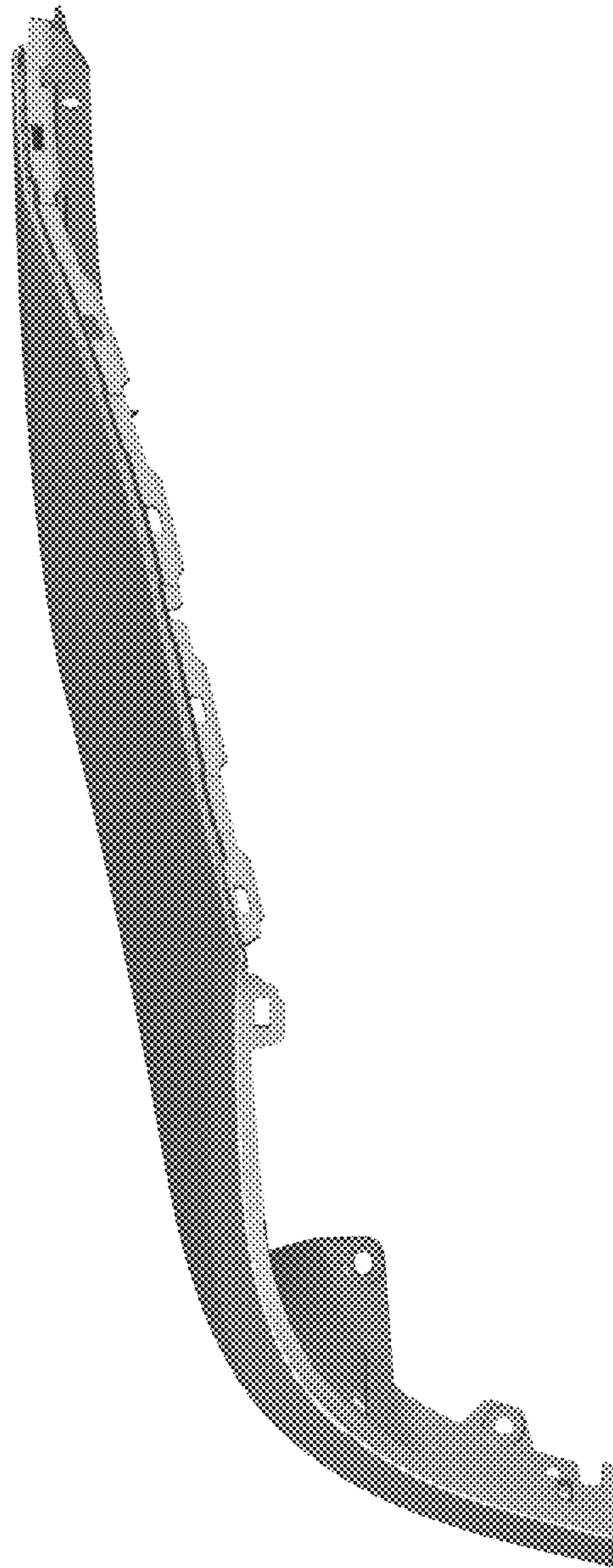




FIG. 5



**FIG. 6**





**FIG. 7**

