



US00D976773S

(12) **United States Design Patent** (10) **Patent No.:** **US D976,773 S**
Lee et al. (45) **Date of Patent:** **** Jan. 31, 2023**

(54) **FRONT BUMPER UPPER COVER FOR AUTOMOBILE**

(71) Applicants: **Hyundai Motor Company**, Seoul (KR); **Kia Corporation**, Seoul (KR)

(72) Inventors: **Seung Jin Lee**, Gyeonggi-do (KR); **Bradley Arnold**, Superior Township, MI (US)

(73) Assignees: **Hyundai Motor Company**, Seoul (KR); **Kia Corporation**, Seoul (KR)

(**) Term: **15 Years**

(21) Appl. No.: **29/779,321**

(22) Filed: **Apr. 19, 2021**

(51) **LOC (14) Cl.** **12-16**

(52) **U.S. Cl.**
USPC **D12/169**

(58) **Field of Classification Search**
USPC D12/86, 90, 91, 92, 93, 96, 97, 163, 169,
D12/171, 172, 173, 196, 216
CPC B60R 19/02; B60R 19/04; B62D 25/08
See application file for complete search history.

(56) **References Cited**

U.S. PATENT DOCUMENTS

D614,105 S *	4/2010	Elliott	D12/169
D681,516 S *	5/2013	Jara	D12/196
D751,007 S *	3/2016	Curic	D12/196
D771,538 S *	11/2016	Brzustowicz	D12/172
D927,372 S *	8/2021	Phan	D12/169
D930,521 S *	9/2021	Choi	D12/169
D933,551 S *	10/2021	Wraith	D12/169
D937,151 S *	11/2021	Wraith	D12/169
D937,156 S *	11/2021	Kaoud	D12/169
D945,331 S *	3/2022	Koo	D12/169
D954,615 S *	6/2022	Hamilton	D12/169
D955,940 S *	6/2022	Buller	D12/169
D960,058 S *	8/2022	Phan	D12/169

OTHER PUBLICATIONS

Bumpers. (Design—© Questel) orbit.com. [Online PDF compilation of references] 48 pgs. Print Dates Range May 27, 2022-Feb. 23, 2022 [Retrieved Sep. 7, 2022].*
2021 Kia Seltos. 2021. eBay. <https://www.ebay.com/itm/284586775526>.*
Rear Bumper End Cap. 2007. eBay. <https://www.ebay.com/itm/224845021315>.*
Chevy Traverse 2009 Rear Bumper End. 2009. Car id. <https://www.carid.com/2009-chevy-traverse-bumpers/replace-rear-bumper-end-9956258.html>.*

* cited by examiner

Primary Examiner — George D. Kirschbaum

Assistant Examiner — Suzanne E Tisdell

(74) *Attorney, Agent, or Firm* — Fox Rothschild LLP

(57) **CLAIM**

The ornamental design for a front bumper upper cover for automobile, as shown and described.

DESCRIPTION

FIG. 1 is a perspective view of a front bumper upper cover for automobile according to the present invention.

FIG. 2 is a front view of the front bumper upper cover for automobile of FIG. 1.

FIG. 3 is a rear view of the front bumper upper cover for automobile of FIG. 1.

FIG. 4 is a left side view of the front bumper upper cover for automobile of FIG. 1.

FIG. 5 is a right side view of the front bumper upper cover for automobile of FIG. 1.

FIG. 6 is a top view of the front bumper upper cover for automobile of FIG. 1; and,

FIG. 7 is a bottom view of the front bumper upper cover for automobile of FIG. 1.

1 Claim, 7 Drawing Sheets

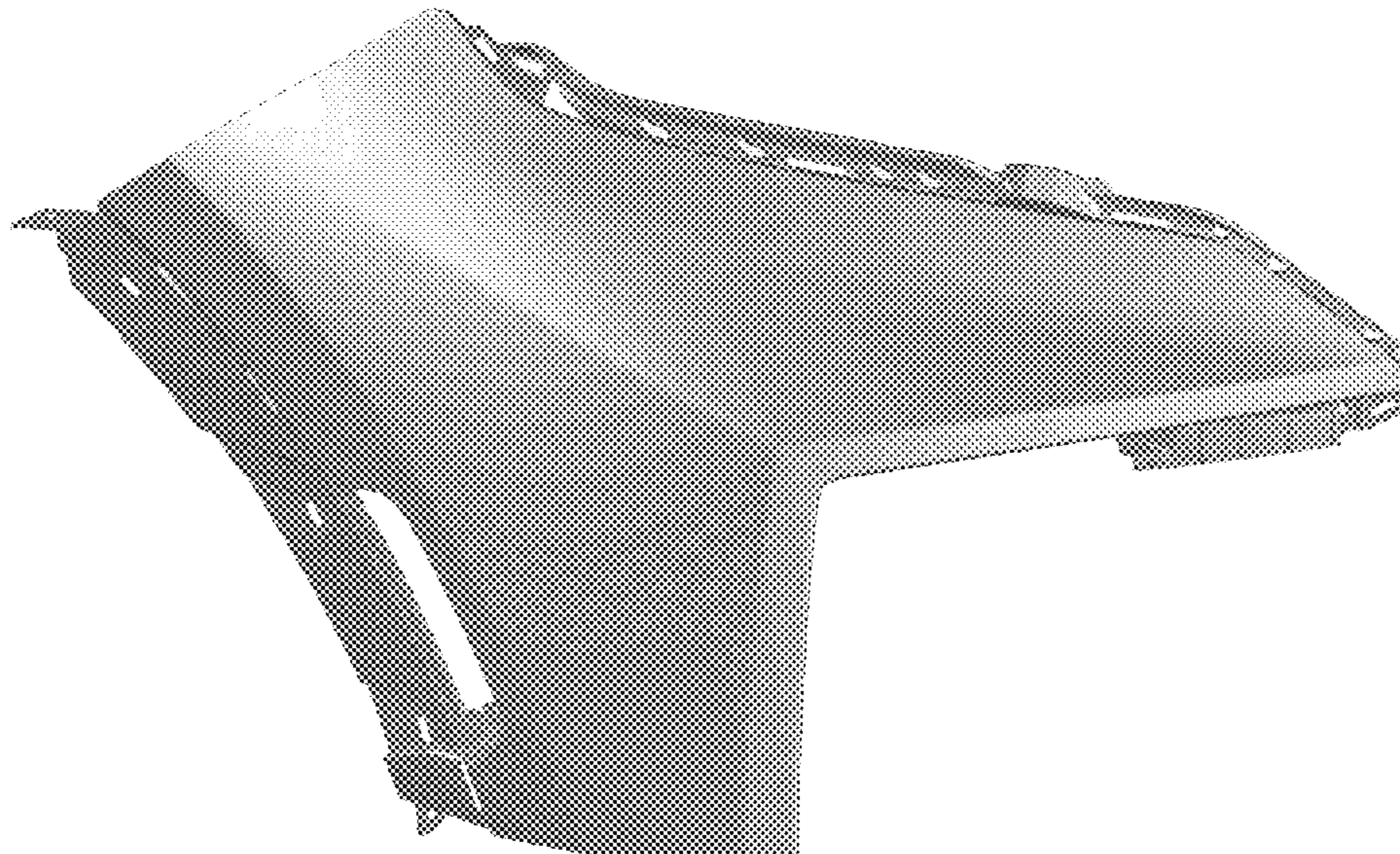


FIG. 1

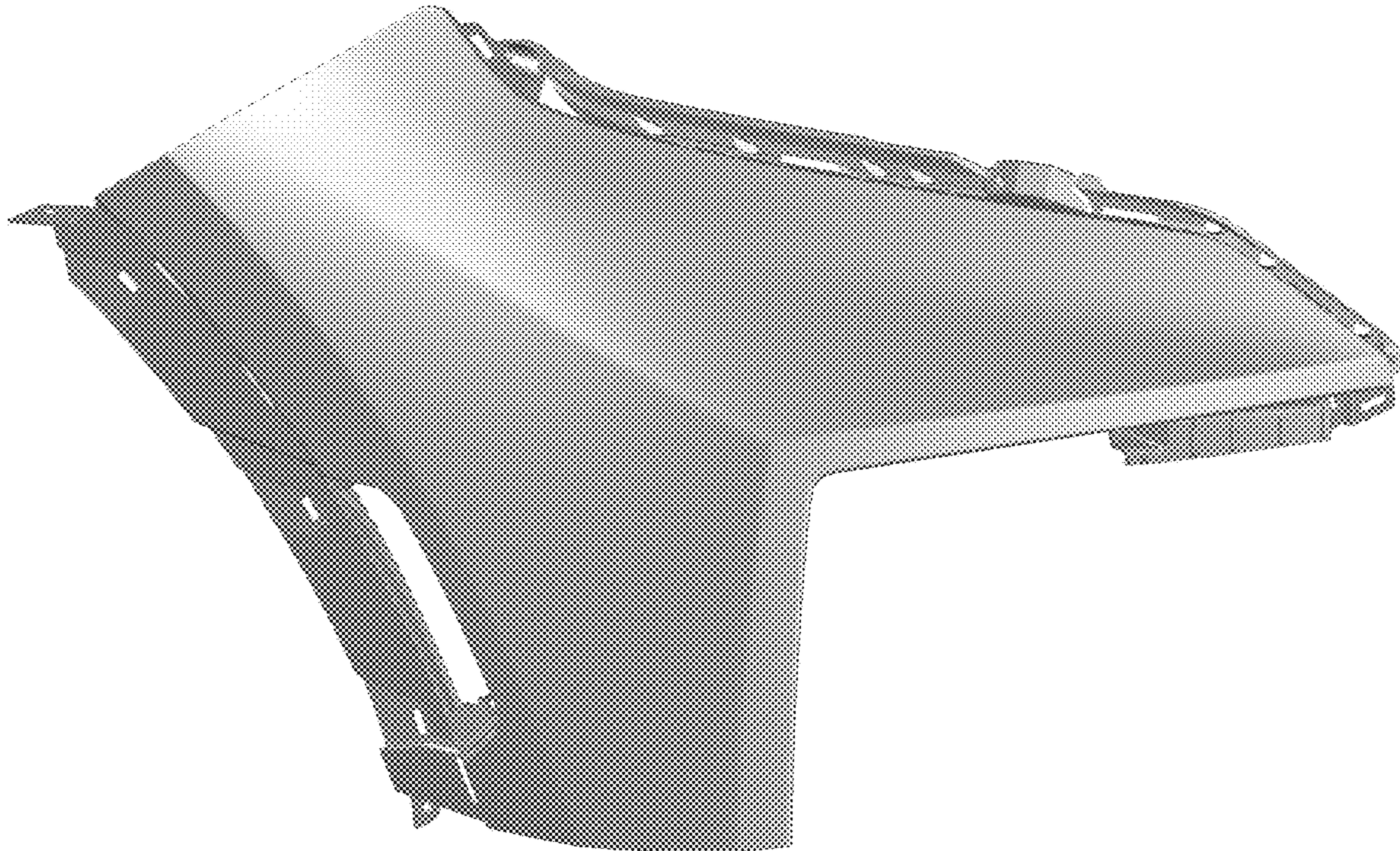


FIG. 2

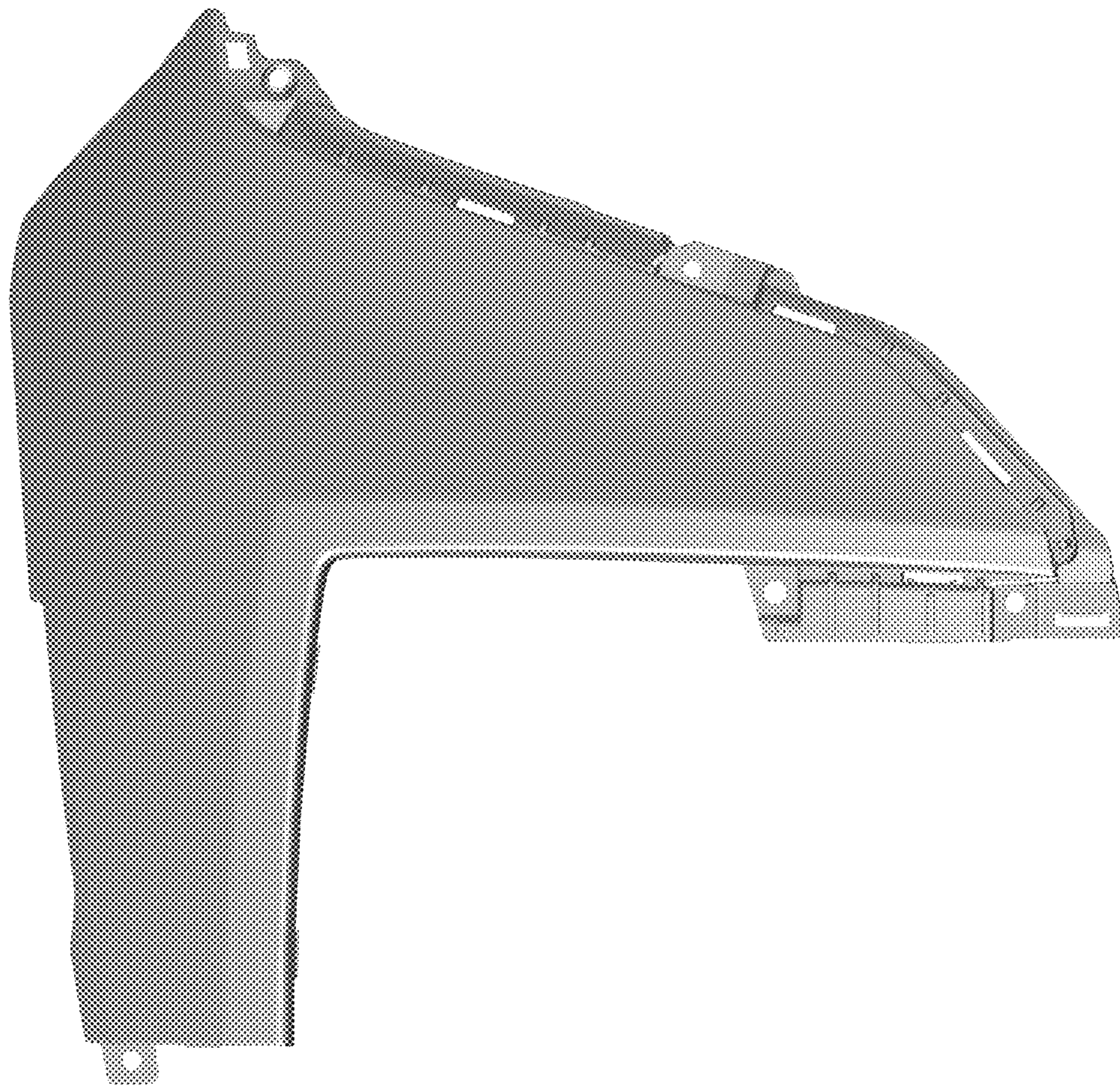


FIG. 3

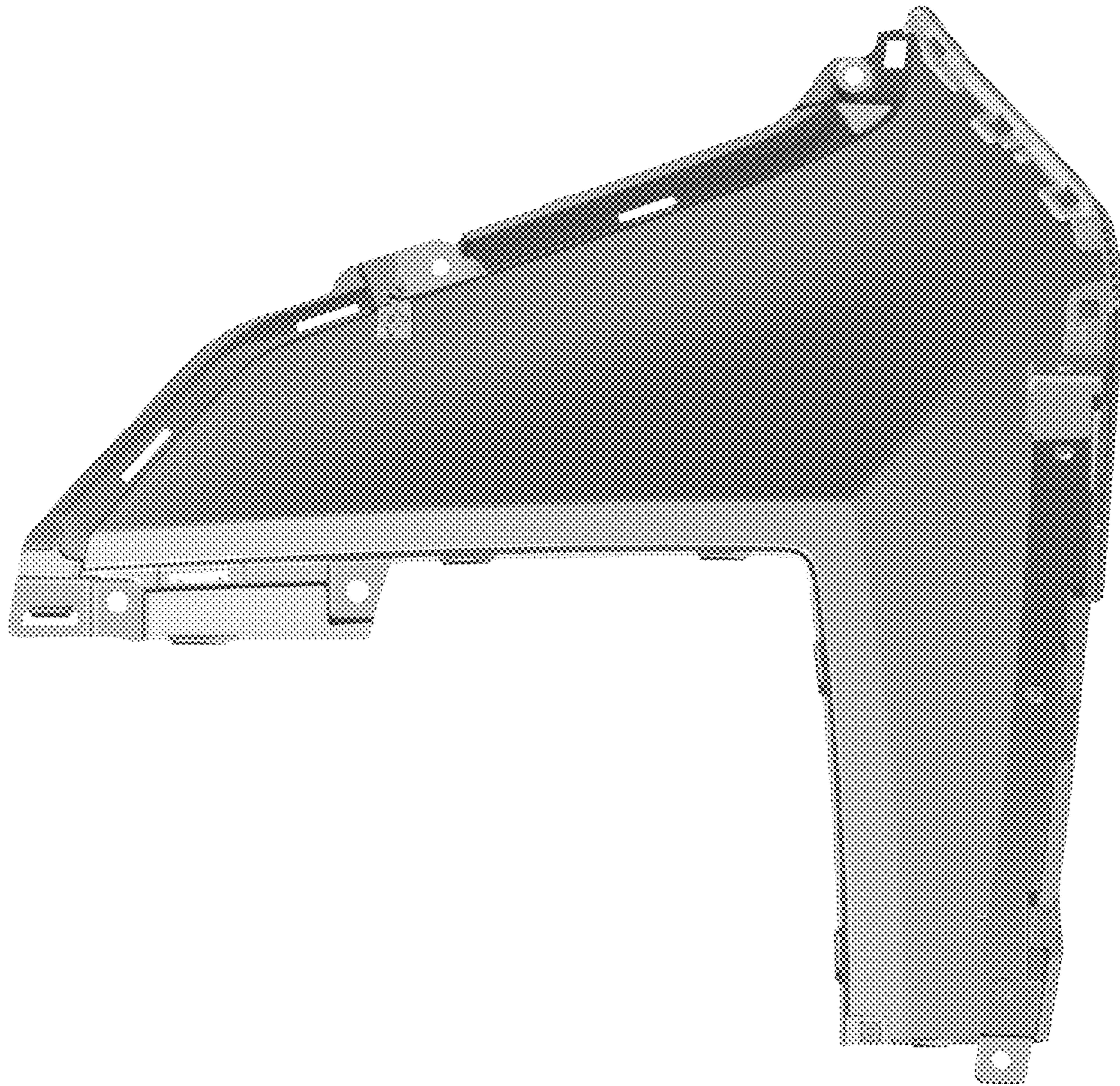


FIG. 4

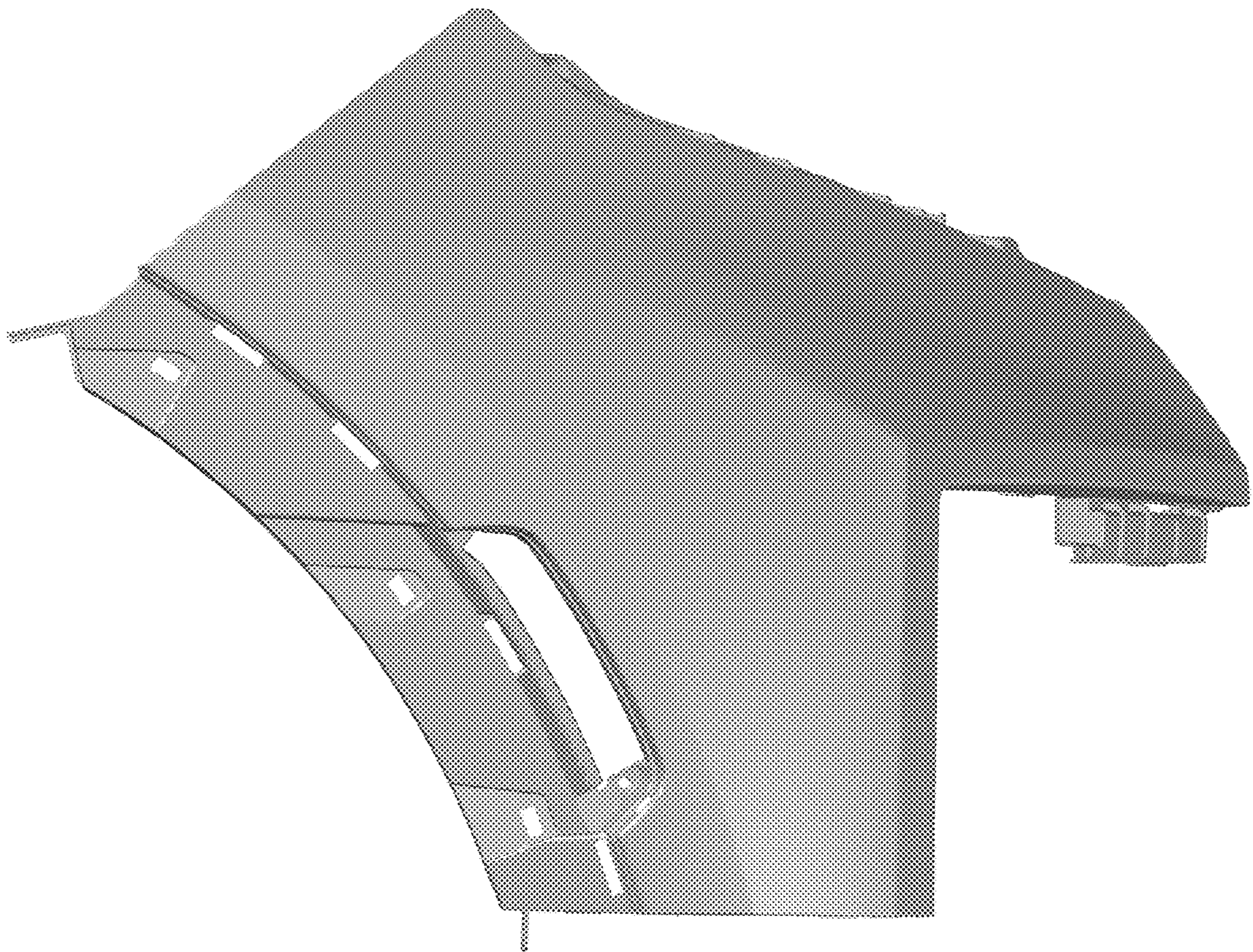


FIG. 5

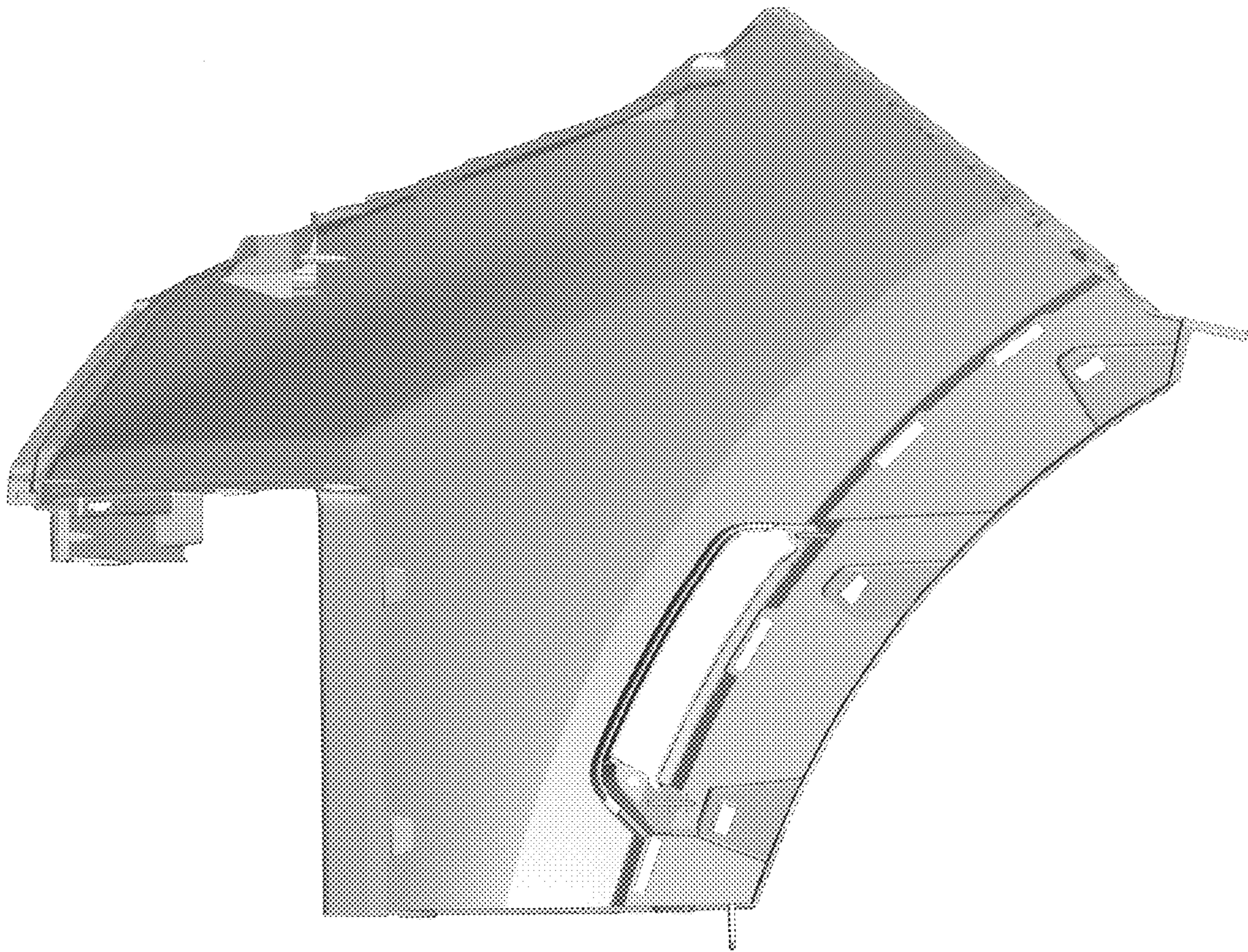


FIG. 6

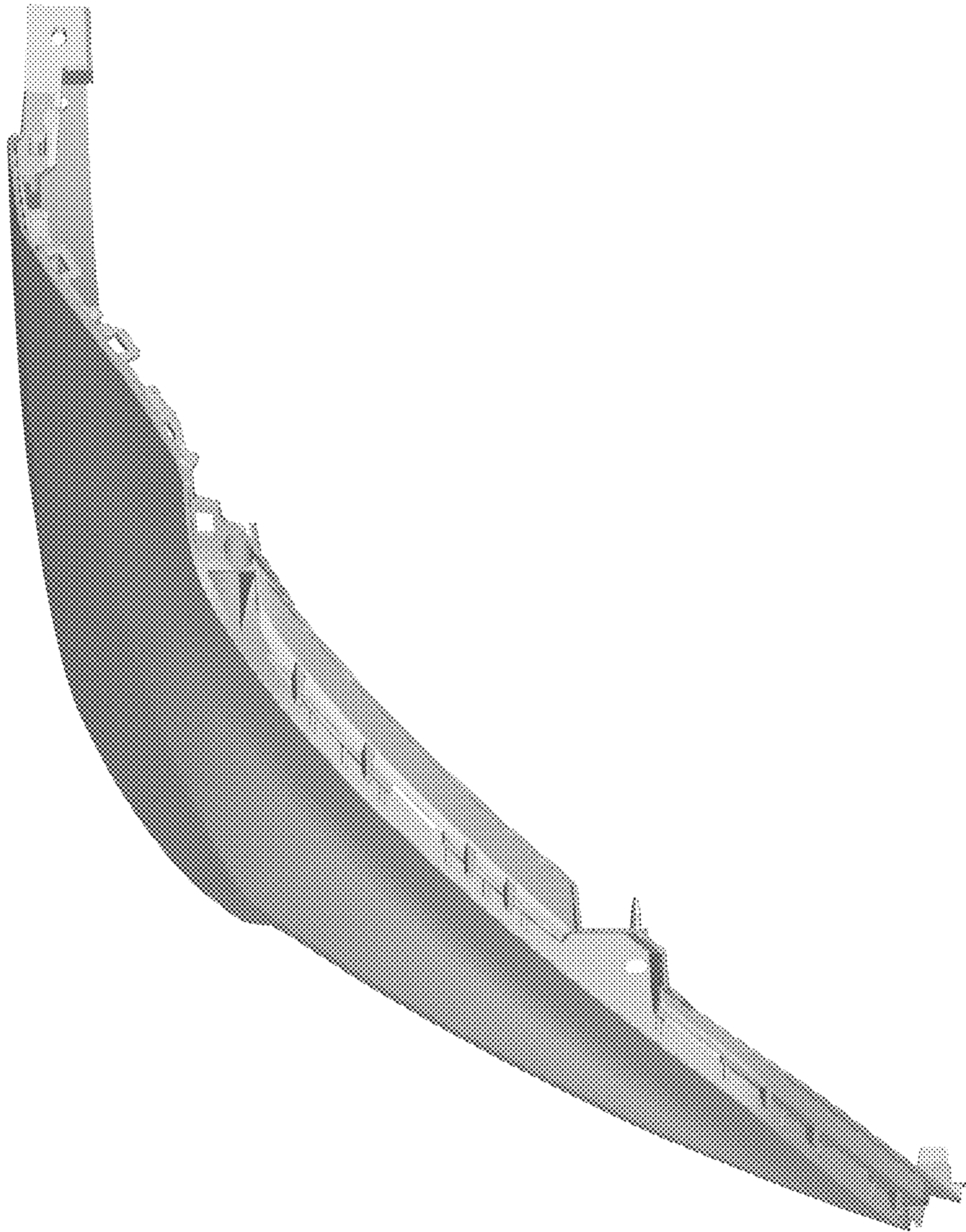


FIG. 7

