



US00D976772S

(12) **United States Design Patent**
Kim et al.

(10) **Patent No.:** **US D976,772 S**

(45) **Date of Patent:** **** Jan. 31, 2023**

(54) **VEHICLE FRONT LOWER BUMPER COVER**

(56) **References Cited**

(71) Applicant: **Ford Global Technologies, LLC**,
Dearborn, MI (US)

(72) Inventors: **Sooyoung Kim**, Northville, MI (US);
Damon G. Depeyster, Northville, MI
(US); **Paul Wraith**, West Bloomfield,
MI (US); **Albert Kim**, Northville, MI
(US); **Heath W. Hilliard**, Detroit, MI
(US)

(73) Assignee: **Ford Global Technologies, LLC**,
Dearborn, MI (US)

(**) Term: **15 Years**

(21) Appl. No.: **29/770,479**

(22) Filed: **Feb. 12, 2021**

(51) **LOC (14) Cl.** **12-16**

(52) **U.S. Cl.**
USPC **D12/169**

(58) **Field of Classification Search**
USPC D12/82, 85, 86, 88, 89, 90, 91, 92, 93,
D12/94, 96, 98, 99, 163, 164, 165, 166,
D12/167, 169, 170, 171, 172, 173, 181,
D12/190, 192, 196, 223, 400; D21/533,
D21/548, 552, 561
CPC B60R 19/00; B60R 19/02; B60R 19/04;
B60R 19/16; B60R 19/18; B60R 19/24;
B60R 19/26; B60R 19/44; B60R 19/48;
B60R 19/52; B60R 19/56; B60R
2019/007; B60R 2019/026; B60R
2019/522; B60R 2019/525; B60R
2019/527; B60R 2019/1813; B60R
2019/1833; B60R 2019/1886; B62D
25/02; B62D 25/08; B62D 25/16; B60K
11/08; B60K 11/085

See application file for complete search history.

U.S. PATENT DOCUMENTS

D906,188	S	*	12/2020	Wraith	D12/163
D906,189	S	*	12/2020	Wraith	D12/163
D906,190	S	*	12/2020	Wraith	D12/163
D907,538	S	*	1/2021	Gittin, Jr.	D12/163
D919,494	S	*	5/2021	Wraith	D12/163
D919,495	S	*	5/2021	Wraith	D12/163
11,034,317	B2	*	6/2021	Salter	F21S 41/24
D925,409	S	*	7/2021	Sahara	D12/163
D929,274	S	*	8/2021	Piaskowski	D12/163
11,077,811	B2	*	8/2021	Shenaq	B60R 21/34

(Continued)

OTHER PUBLICATIONS

Grilles. (Design—© Questel) orbit.com. [Online PDF compilation of references] 43 pgs. Print Dates Range Jul. 31, 2021-Apr. 2, 2021 [Retrieved Jan. 26, 2022].*

(Continued)

Primary Examiner — George D. Kirschbaum

Assistant Examiner — Suzanne E Tisdell

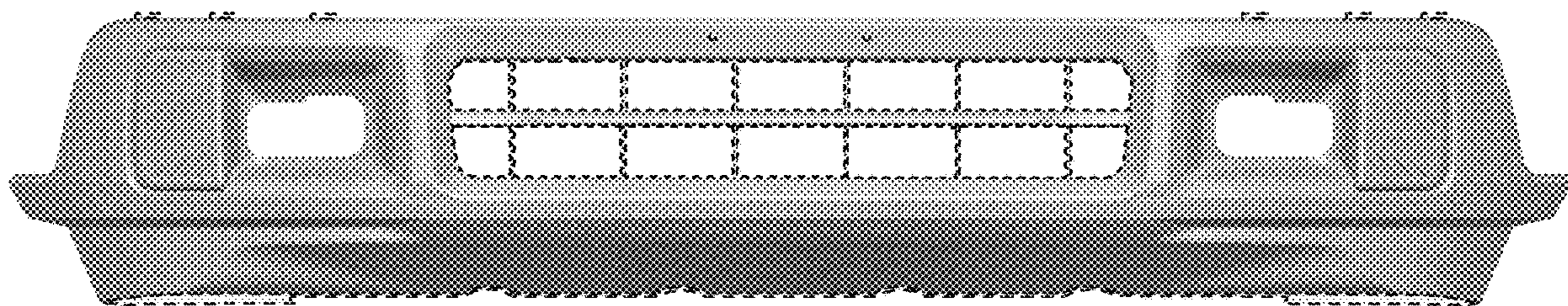
(57) **CLAIM**

The ornamental design for a vehicle front lower bumper cover, as shown and described.

DESCRIPTION

FIG. 1 is a front elevational view of a vehicle front lower bumper cover showing our new design;
FIG. 2 is a left side elevational view thereof;
FIG. 3 is a right side elevational view thereof;
FIG. 4 is a top plan view thereof;
FIG. 5 is a bottom plan view thereof;
FIG. 6 is a top, front, and left side perspective view thereof;
and,
FIG. 7 is a bottom, front and left side perspective view thereof.
Portions of the vehicle front lower bumper cover shown in half-tone shading and surrounded by broken lines form no part of the claimed design.

1 Claim, 7 Drawing Sheets



(56)

References Cited

U.S. PATENT DOCUMENTS

D931,154 S * 9/2021 Park Cheng D12/163
 D933,548 S * 10/2021 Willing D12/163
 D941,197 S * 1/2022 Wraith D12/163

OTHER PUBLICATIONS

Front Bumper Lower Grille. Jul. 18, 2018. Amazon. <https://www.amazon.com/F-150-Front-Bumper-Grille-FL3Z-17E810-CA/dp/B07FNML8QXPIT66>.*

Koolzap for 91-94 Chevy S10 Blazer. Dec. 7, 2015. Amazon. <https://www.amazon.com/Pickup-Grille-Assembly-GM1200326-15701945/dp/B07DWH1CSF>.*

Koolzap for 93-98 T100 Pickup Truck Front Grill Grille Assembly. Dec. 7, 2015. Amazon. <https://www.amazon.com/93-98-Pickup-Grille-TO1200191-5311134010/dp/B07DWKMWKT>.*

Andre Smirnov, Leaked: 2022 Ford Maverick Truck? Could This Be the Next Ford Ranger or Bronco-Based Pickup?, <https://tfltruck.com/2020/04/leaked-2022-ford-maverick-truck-could-this-be-the-next-ford-ranger-or-bronco-based-pickup/> Apr. 30, 2020.

Viknesh Vijayenthiran, 2022 Ford Maverick Spy Shots: Compact Pickup on the way, https://www.motorauthority.com/news/1129703_2022-ford-maverick-spy-shots Sep. 23, 2020.

Brett Foote, Ford Maverick Pickup Will Only Be Available In Four-Door Configuration, <https://fordauthority.com/2020/12/ford-maverick-pickup-will-only-be-available-in-four-door-configuration/> Dec. 7, 2020.

Chris Bruce, 2022 Ford Maverick Caught In Bare Metal, Revealing its Design, <https://www.motor1.com/news/458839/2022-ford-maverick-bare-metal/> Dec. 7, 2020.

Mr Robot, Ford Maverick Unibody Fully Revealed!, <https://www.mavericktruckclub.com/forum/threads/ford-maverick-unibody-fully-revealed.13/> Dec. 7, 2020.

Chris Bruce, 2022 Ford Maverick May Only Be Available In Four-Door Super Crew Body, <https://www.motor1.com/news/459229/2022-ford-maverick-super-crew/> Dec. 9, 2020.

Paul A. Eisenstein, Return of the Ford Maverick—But This Time It's Going to Be a Compact Pickup, <https://www.thedetroitbureau.com/2020/12/return-of-the-ford-maverick-but-this-time-its-going-to-be-a-compact-pickup/> Dec. 9, 2020.

Allison Barfield, The 2022 Ford Maverick Looks Bigger Than Expected, <https://www.motorbiscuit.com/the-2022-ford-maverick-looks-bigger-than-expected/> Dec. 12, 2020.

Alexander Stoklosa, 2022 Ford Maverick: Here It Is, Looking Compact and Surprisingly Trucky, <https://www.motortrend.com/news/2022-ford-maverick-spy-photo-factory-details/> Jan. 8, 2021.

Josh Byrnes, 2022 Ford Maverick: Everything We Know About the Blue Oval's Baby Truck, <https://www.carscoops.com/2021/01/2022-ford-maverick-everything-we-know-about-the-blue-ovals-baby-truck/> Jan. 30, 2021.

* cited by examiner

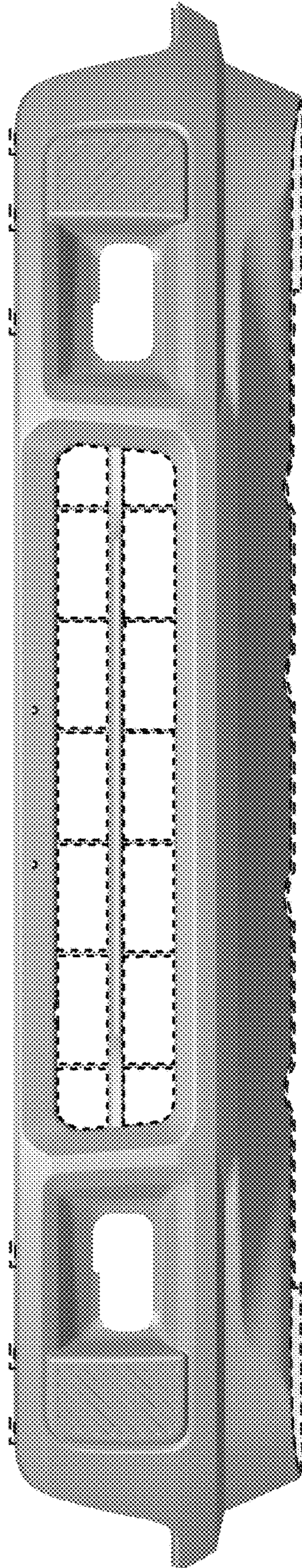


Fig. 1

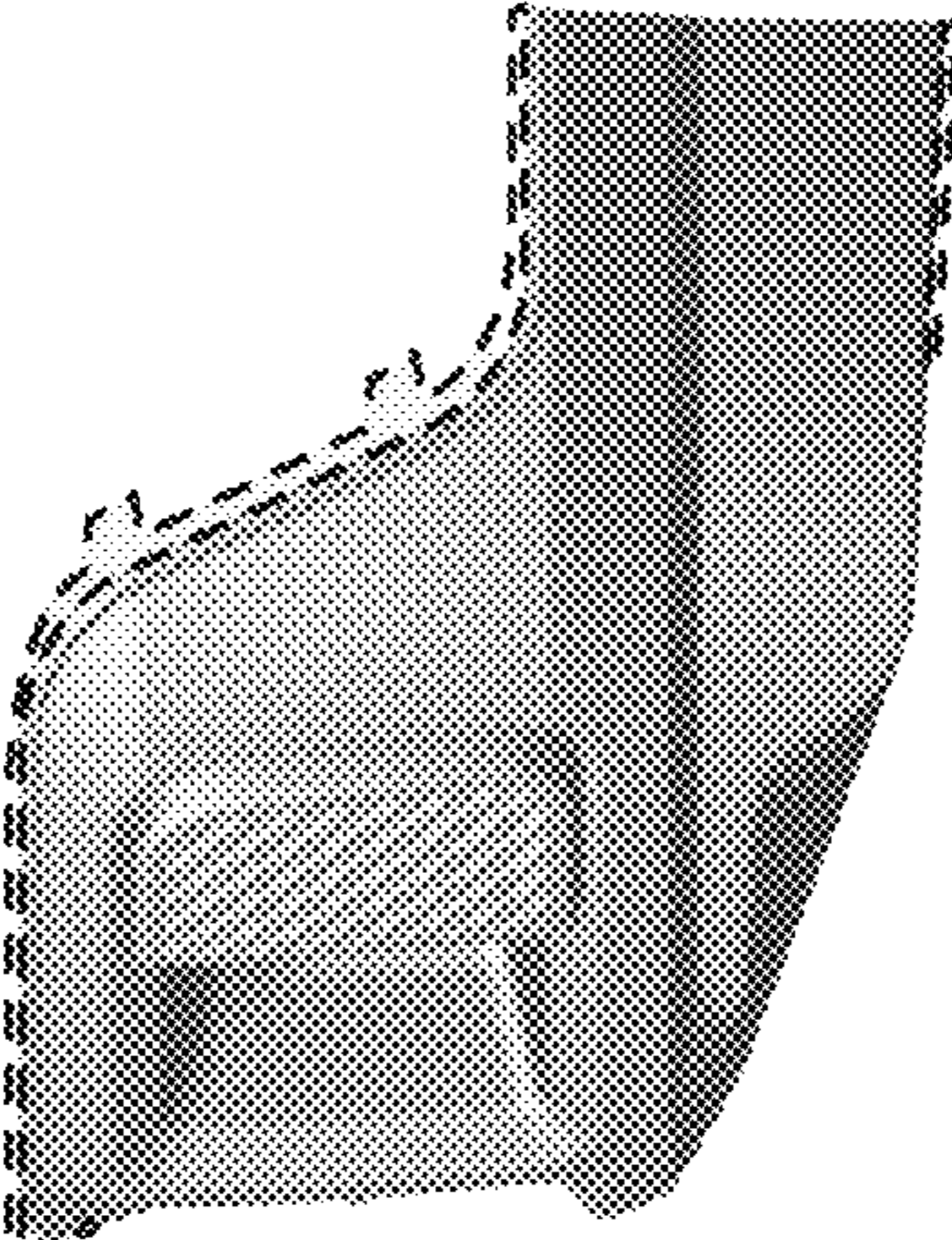


Fig. 2

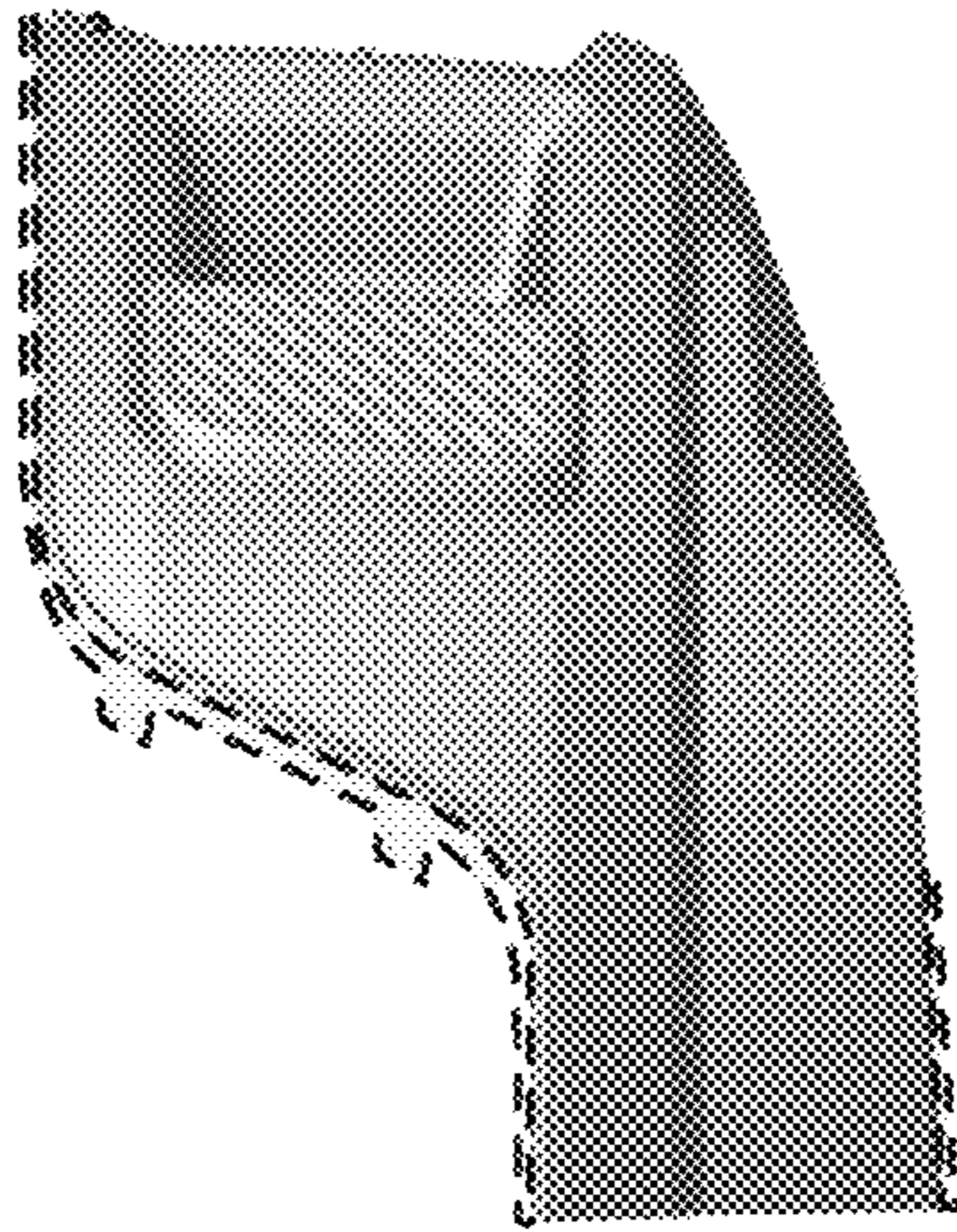


Fig. 3

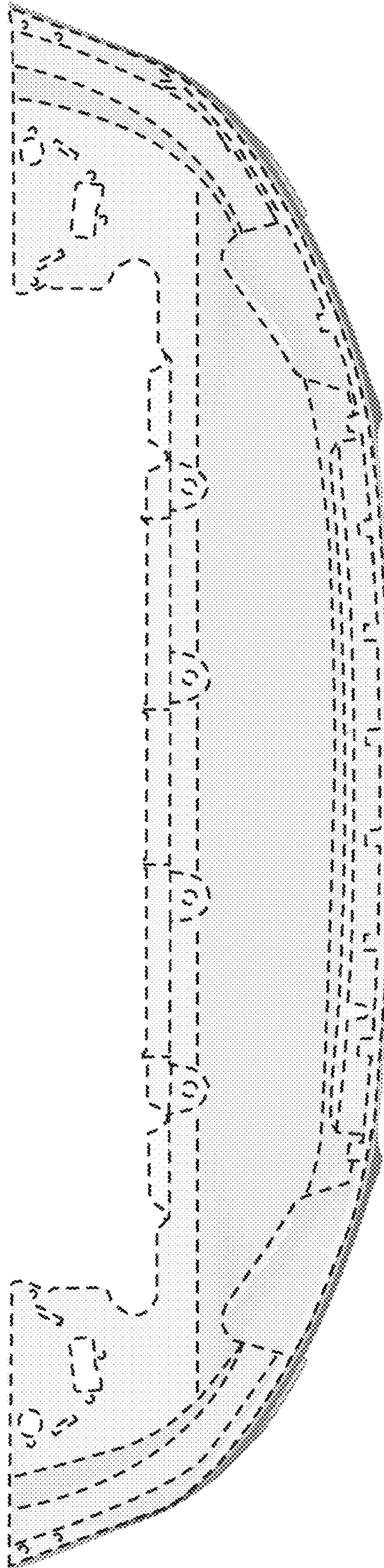


Fig.4

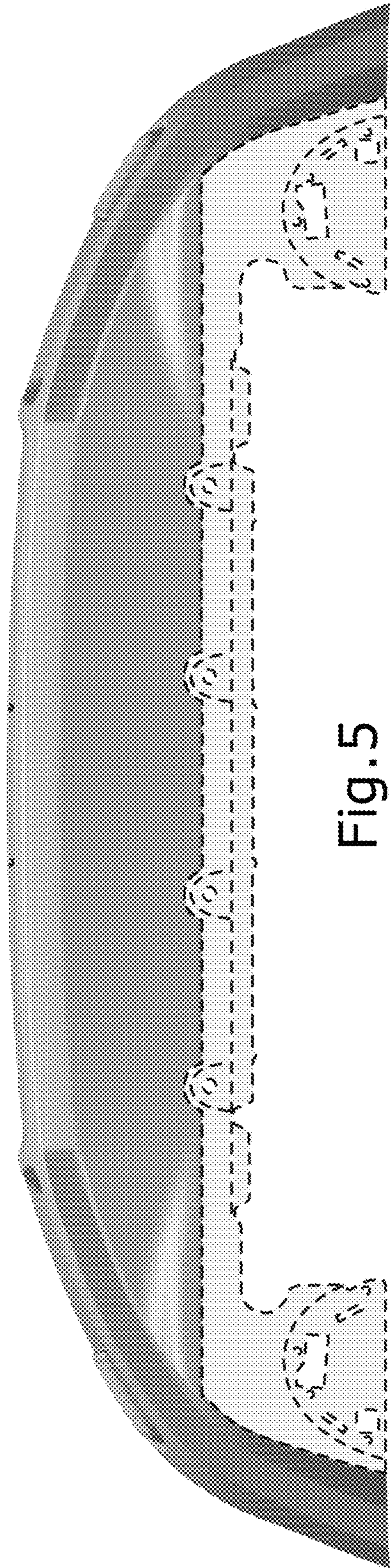


Fig. 5

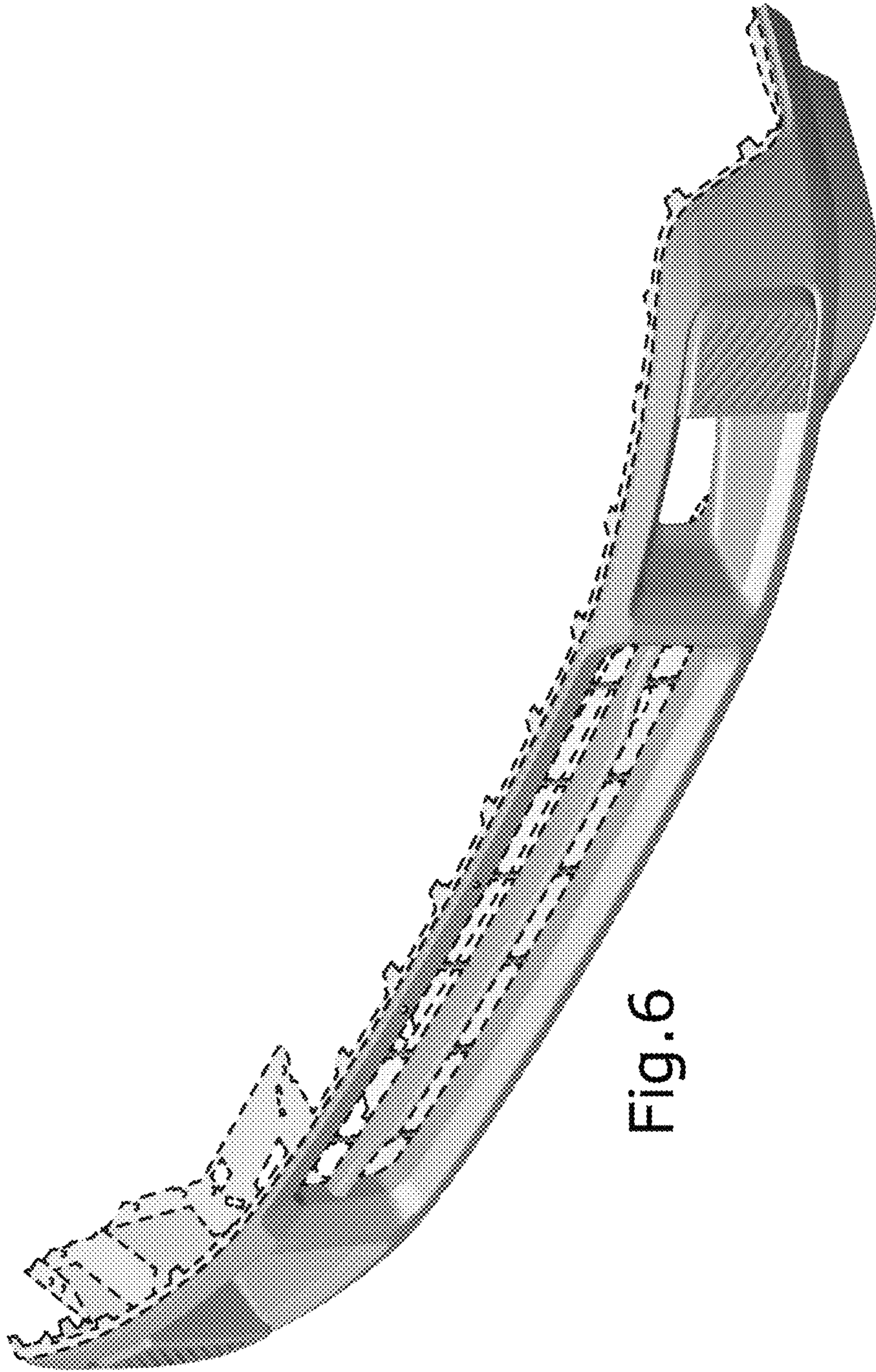


Fig. 6

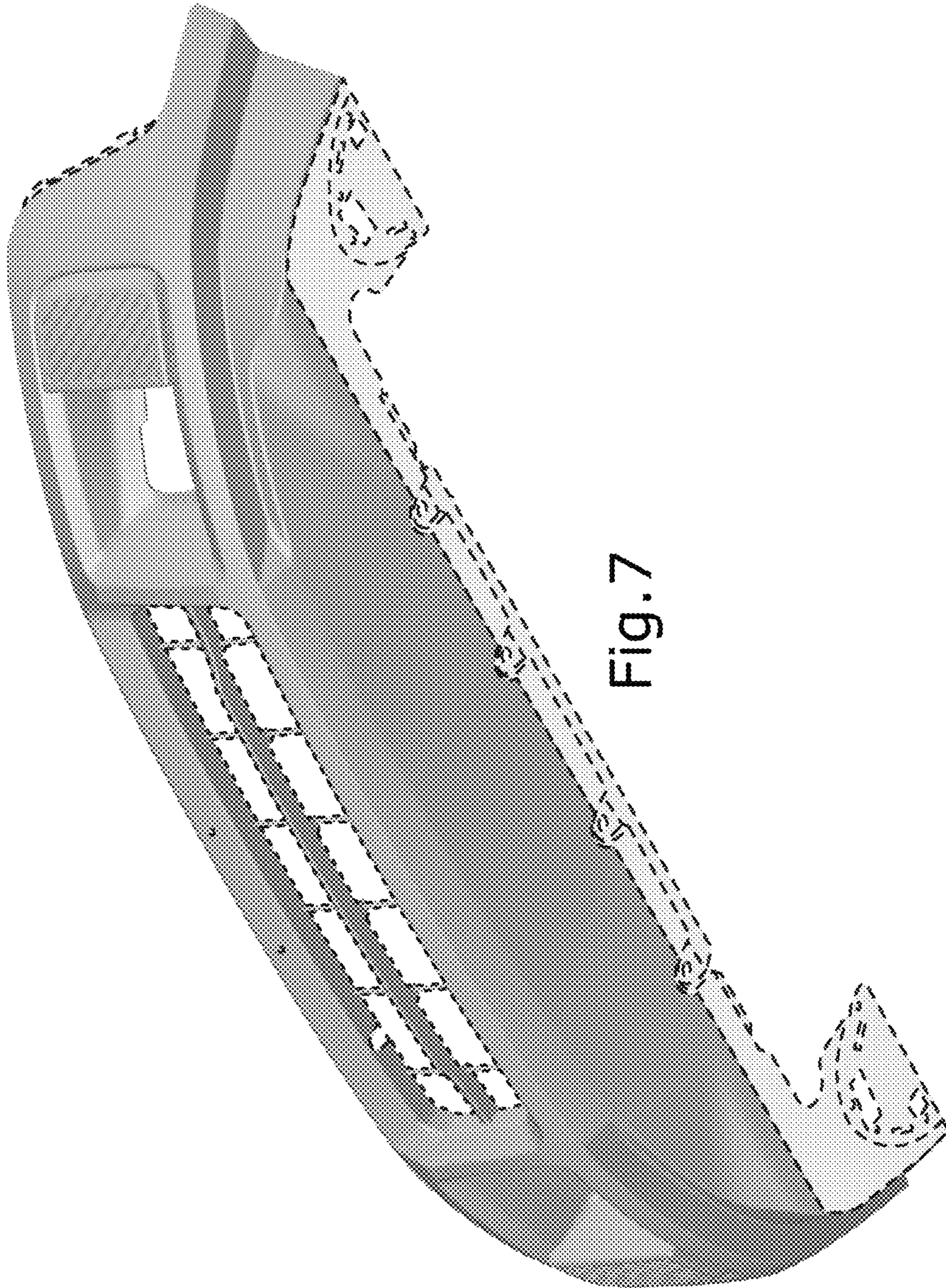


Fig. 7