



US00D976771S

(12) **United States Design Patent**
Battams et al.

(10) **Patent No.:** **US D976,771 S**
(45) **Date of Patent:** **** Jan. 31, 2023**

(54) **REAR BUMPER**

(71) Applicant: **Jaguar Land Rover Limited**, Whitley
Coventry (GB)

(72) Inventors: **Robert Battams**, Whitley Coventry
(GB); **Massimo Frascella**, Whitley
Coventry (GB)

(73) Assignee: **Jaguar Land Rover Limited**, Whitley
Coventry (GB)

(**) Term: **15 Years**

(21) Appl. No.: **29/760,188**

(22) Filed: **Nov. 30, 2020**

Related U.S. Application Data

(62) Division of application No. 29/673,666, filed on Dec.
17, 2018, now Pat. No. Des. 904,265.

(30) **Foreign Application Priority Data**

Jun. 28, 2018 (EM) 005329133

(51) **LOC (14) Cl.** **12-16**

(52) **U.S. Cl.**
USPC **D12/169**

(58) **Field of Classification Search**
USPC D12/86, 90-92, 163-169, 170-173, 181,
D12/196, 216, 400
CPC B60R 19/02; B60R 19/04; B60R 19/12;
B60R 19/50; B60R 19/52; B60R
2019/525; B62D 25/08; B62D 25/084;
B60K 11/08; B60K 11/085; H01Q 1/32;
B62B 9/16

See application file for complete search history.

(56) **References Cited**

U.S. PATENT DOCUMENTS

D566,015 S * 4/2008 Beigel D12/163
D609,149 S * 2/2010 Larson D12/181

D617,698 S * 6/2010 Lamm D12/196
D686,117 S * 7/2013 Tase D12/163
D706,692 S * 6/2014 Wheel D12/196
D726,083 S * 4/2015 Wheel D12/196
D738,270 S * 9/2015 Blanski D12/169
D748,547 S * 2/2016 Battams D12/190

(Continued)

OTHER PUBLICATIONS

2019 Range Rover Evoque Finally A Proper Range Rover Pro Advise
Car Advisors <https://www.proadviseacar.com/2019/03/13/2019-range-rover-evoque-finally-a-proper-range-rover/> Mar. 13, 2019 (Year:
2019).*

(Continued)

Primary Examiner — Leanne Was-Englehart
(74) *Attorney, Agent, or Firm* — Wood Herron & Evans
LLP

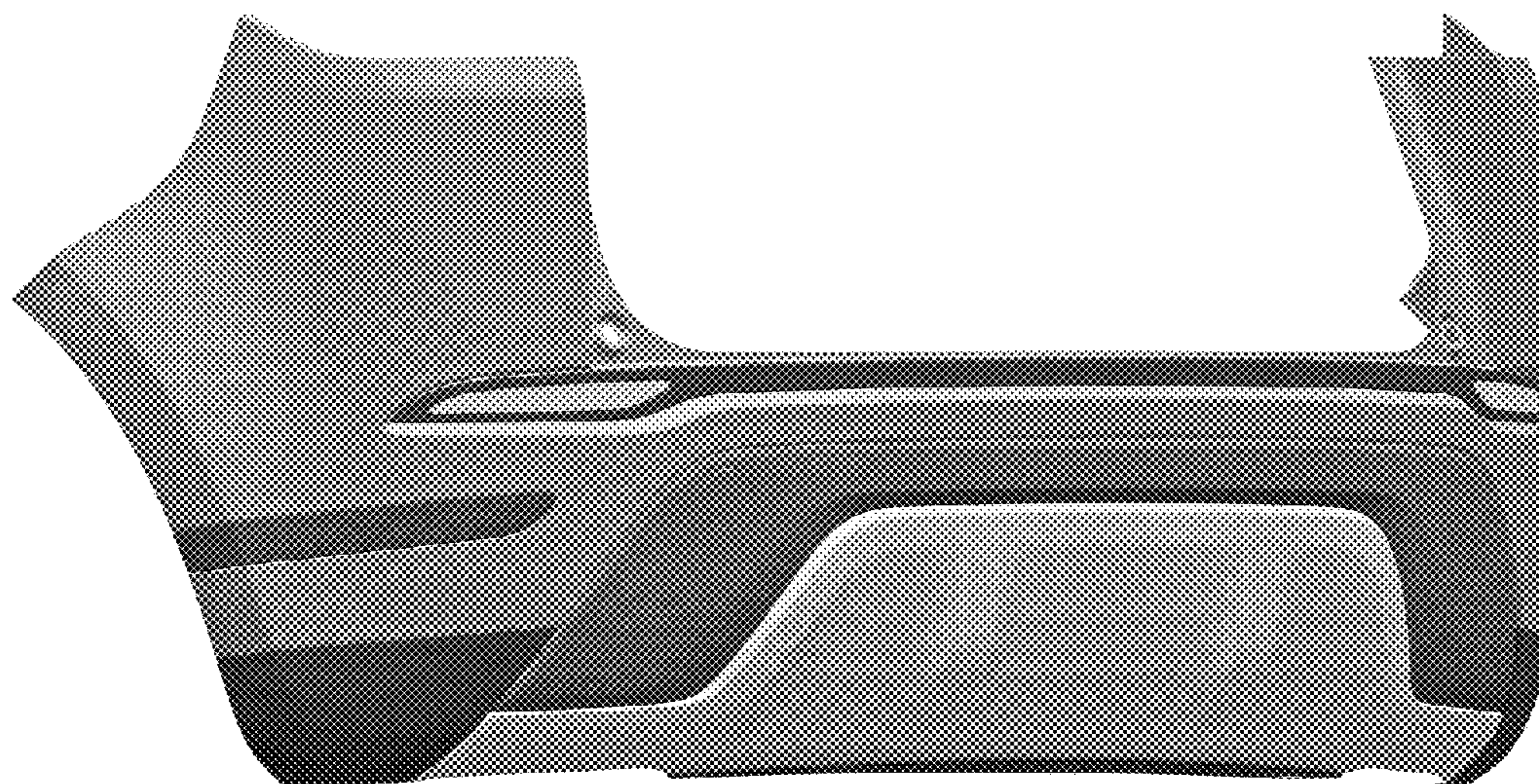
(57) **CLAIM**

The ornamental design for a rear bumper, as shown and
described.

DESCRIPTION

FIG. 1 is a front view of a rear bumper according to the
present invention.
FIG. 2 is a front left perspective view of the rear bumper
shown in FIG. 1.
FIG. 3 is a front left elevated perspective view thereof.
FIG. 4 is a rear view thereof.
FIG. 5 is a rear right perspective view thereof.
FIG. 6 is a rear right elevated perspective view thereof.
FIG. 7 is a right side view thereof.
FIG. 8 is a left side view thereof.
FIG. 9 is a top view thereof.
FIG. 10 is a bottom view thereof; and,
FIG. 11 is another front view thereof, but mounted on a
vehicle to show environmental structure, the vehicle being
unclaimed and shown in broken lines.

1 Claim, 11 Drawing Sheets



(56)

References Cited

U.S. PATENT DOCUMENTS

D750,300 S * 2/2016 Frascella D26/28
 D758,921 S * 6/2016 Hatton D12/92
 D760,137 S * 6/2016 Galante D12/196
 D763,152 S * 8/2016 Frascella D12/190
 D784,230 S * 4/2017 Woolley D12/196
 D784,231 S * 4/2017 Henstridge D12/196
 D791,645 S * 7/2017 Henstridge D12/91
 D797,017 S * 9/2017 Henstridge D12/164
 D801,858 S * 11/2017 Hagino D12/91
 D808,317 S * 1/2018 Piscitelli D26/139
 D816,560 S * 5/2018 Minamiyama D12/169
 D830,248 S * 10/2018 Yeo D12/167
 D835,013 S * 12/2018 Frascella D12/169
 D840,883 S * 2/2019 Cartabiano D12/169
 D843,279 S * 3/2019 Jevremovic D12/169
 D843,897 S * 3/2019 Wheel D12/169
 D844,518 S * 4/2019 Frascella D12/196
 D845,849 S * 4/2019 Sarreméjean D12/169
 D854,981 S * 7/2019 Smock D12/169
 D855,512 S * 8/2019 Frascella D12/169

D860,074 S * 9/2019 Beckles D12/169
 D860,894 S * 9/2019 Grewer D12/196
 D864,803 S * 10/2019 Sakai D12/169
 D864,804 S * 10/2019 Grewer D12/169
 D867,212 S * 11/2019 Badstuebner D12/91
 D867,250 S * 11/2019 Goodrich D12/190
 D871,276 S * 12/2019 Hjorten D12/163
 D874,991 S * 2/2020 Park D12/169
 D875,625 S * 2/2020 Wheel D12/169
 D876,689 S * 2/2020 Thomas D26/28
 D877,008 S * 3/2020 Schell D12/169
 D878,257 S * 3/2020 Iida D12/169
 D882,472 S * 4/2020 Goodrich D12/190
 D916,636 S * 4/2021 Grand D12/190

OTHER PUBLICATIONS

Land Rover's Evoque hides off-road tech behind a luxury SUV
 Engadget <https://www.engadget.com/2019-03-28-land-rover-s-evoque-test-drive.html> Mar. 28, 2019 (Year: 2019).*

* cited by examiner

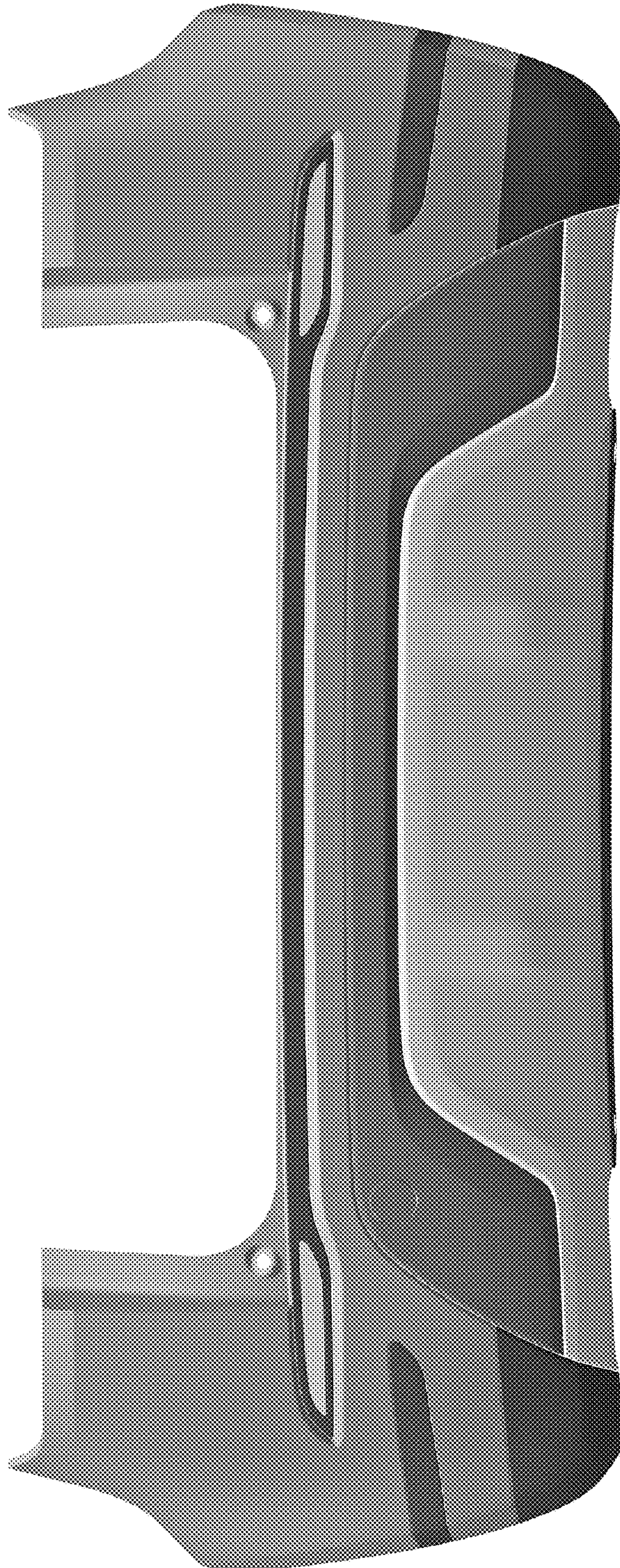


FIG. 1

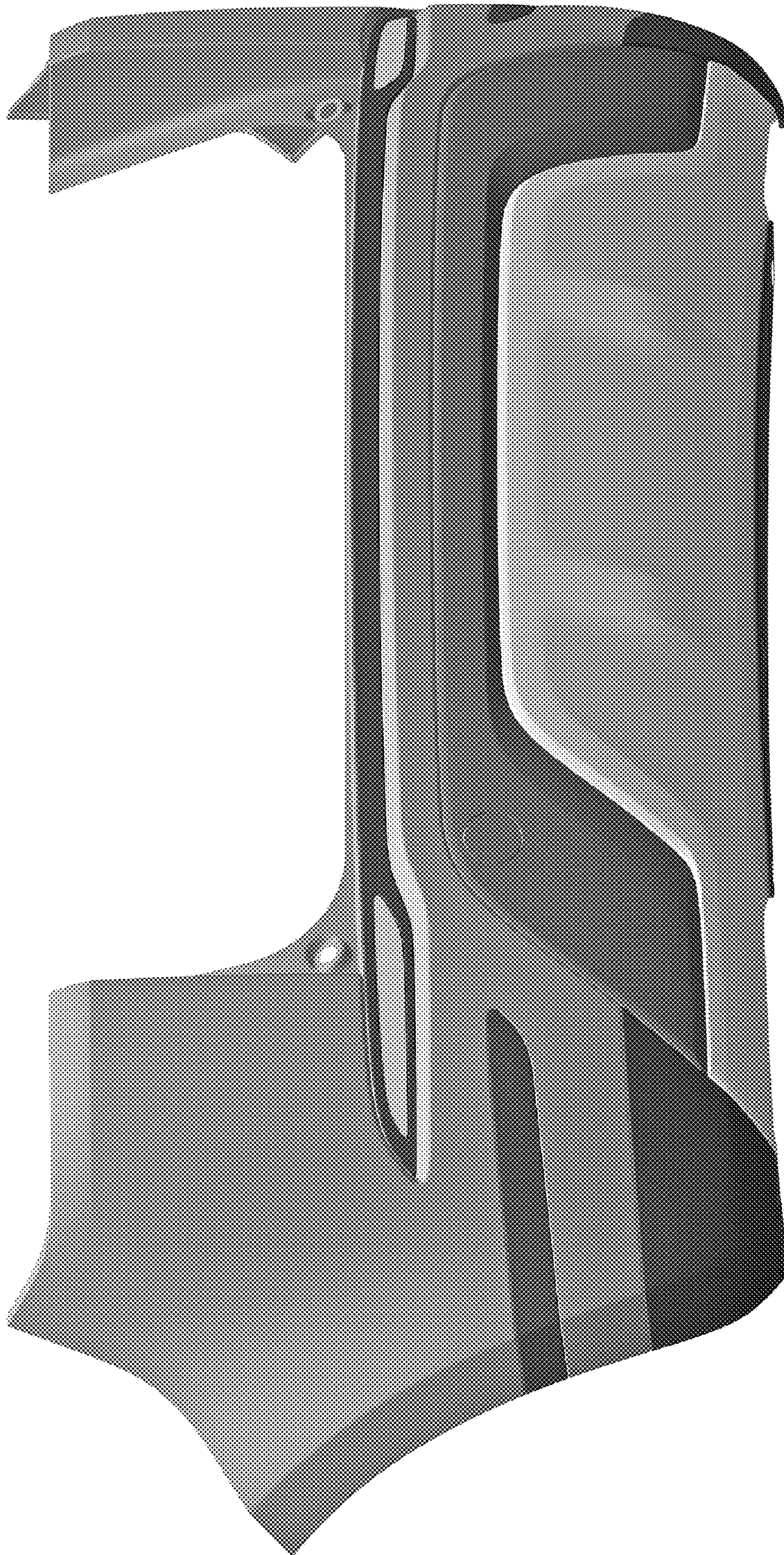


FIG. 2



FIG. 3

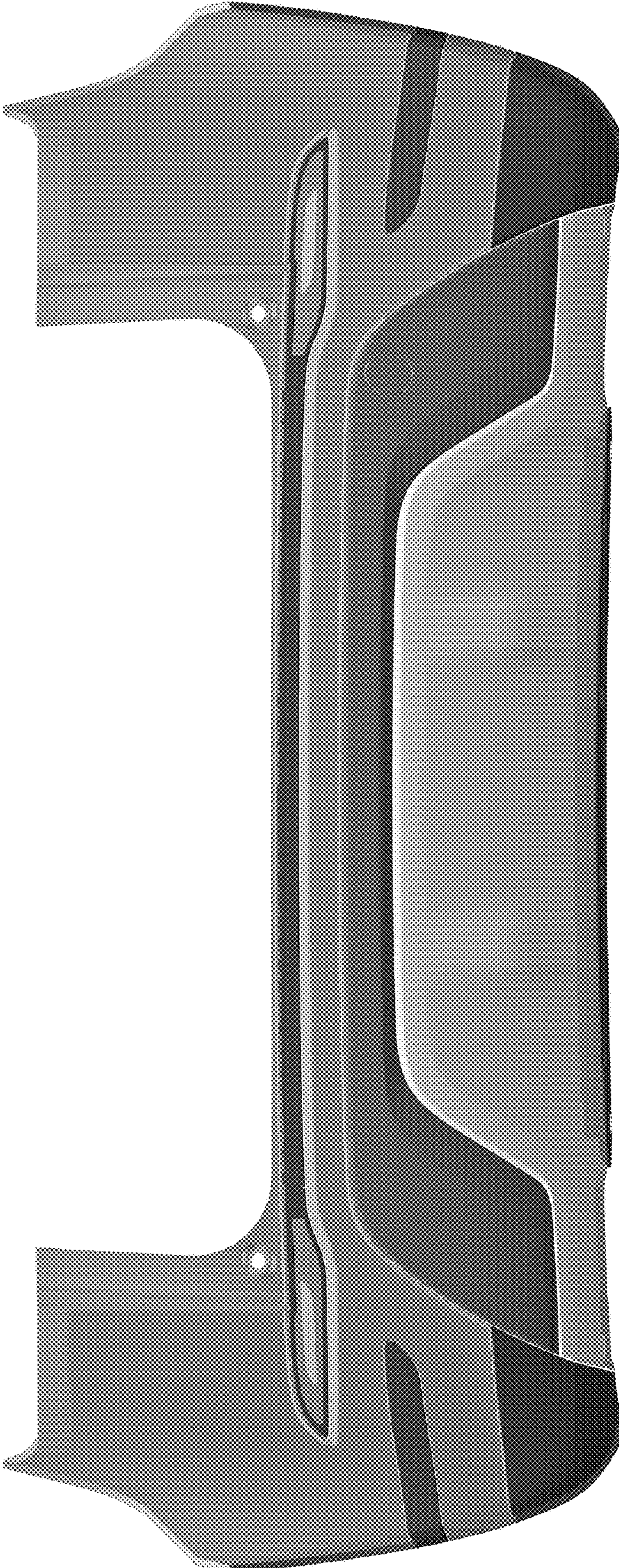


FIG. 4



FIG. 5

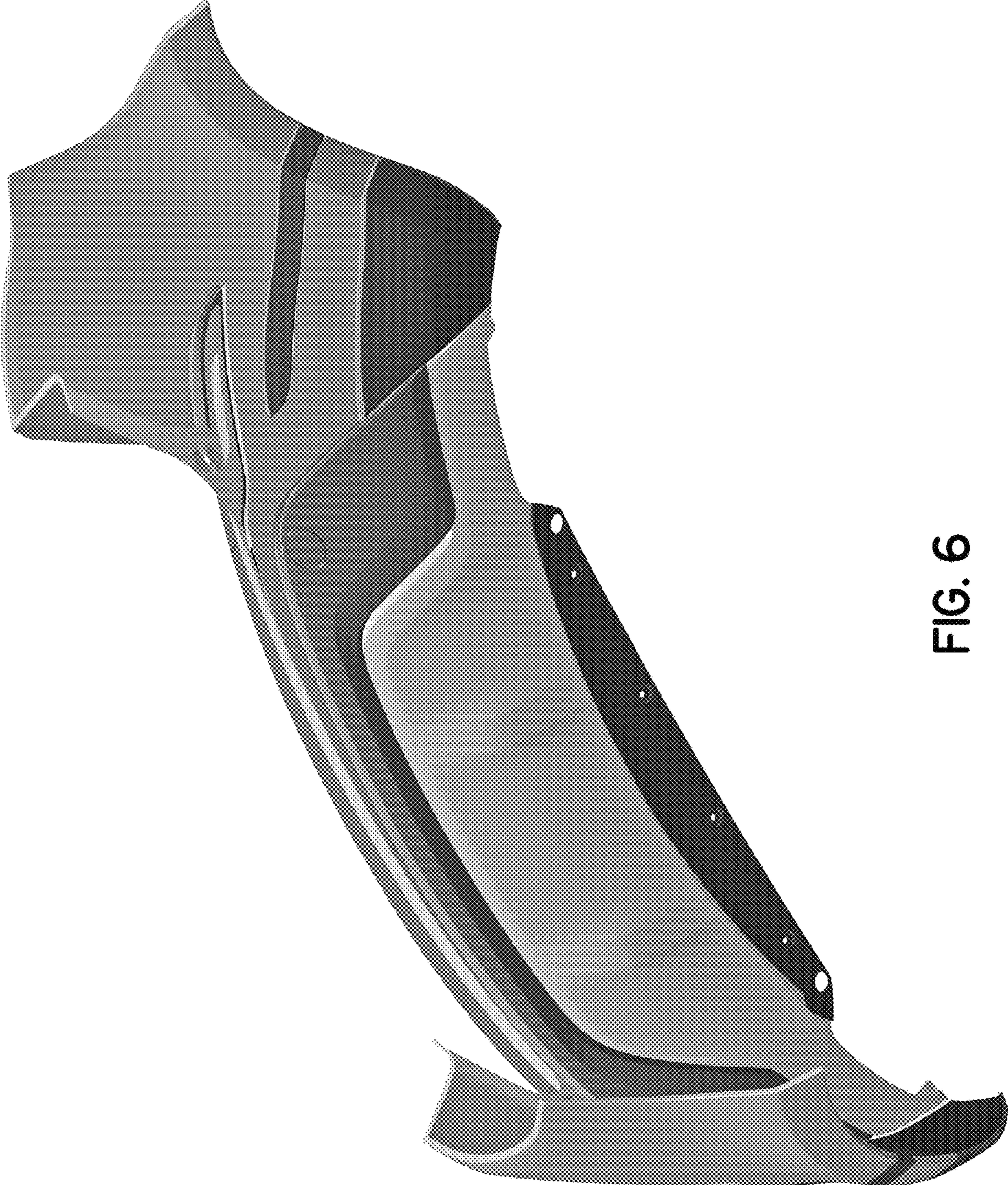


FIG. 6

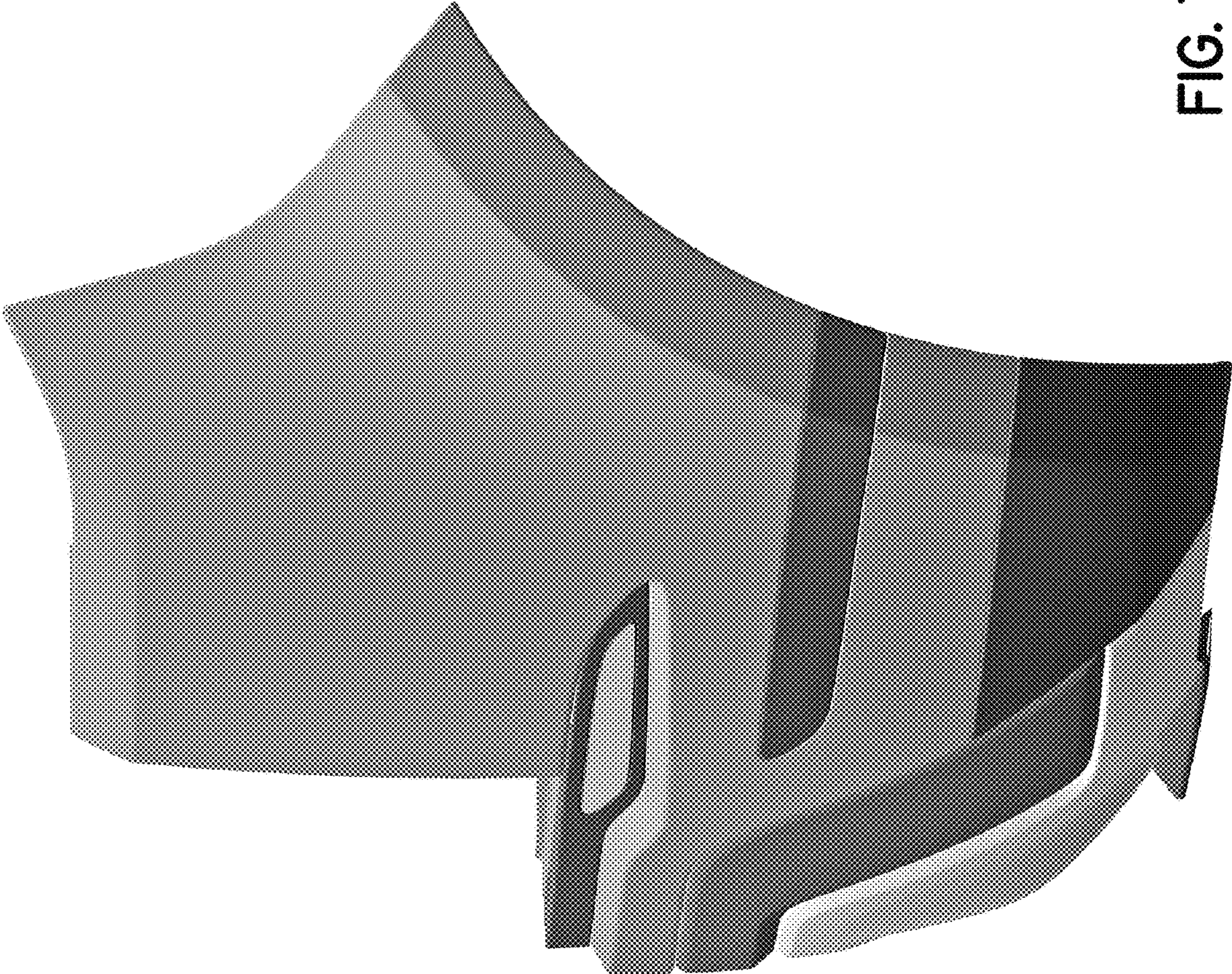


FIG. 7

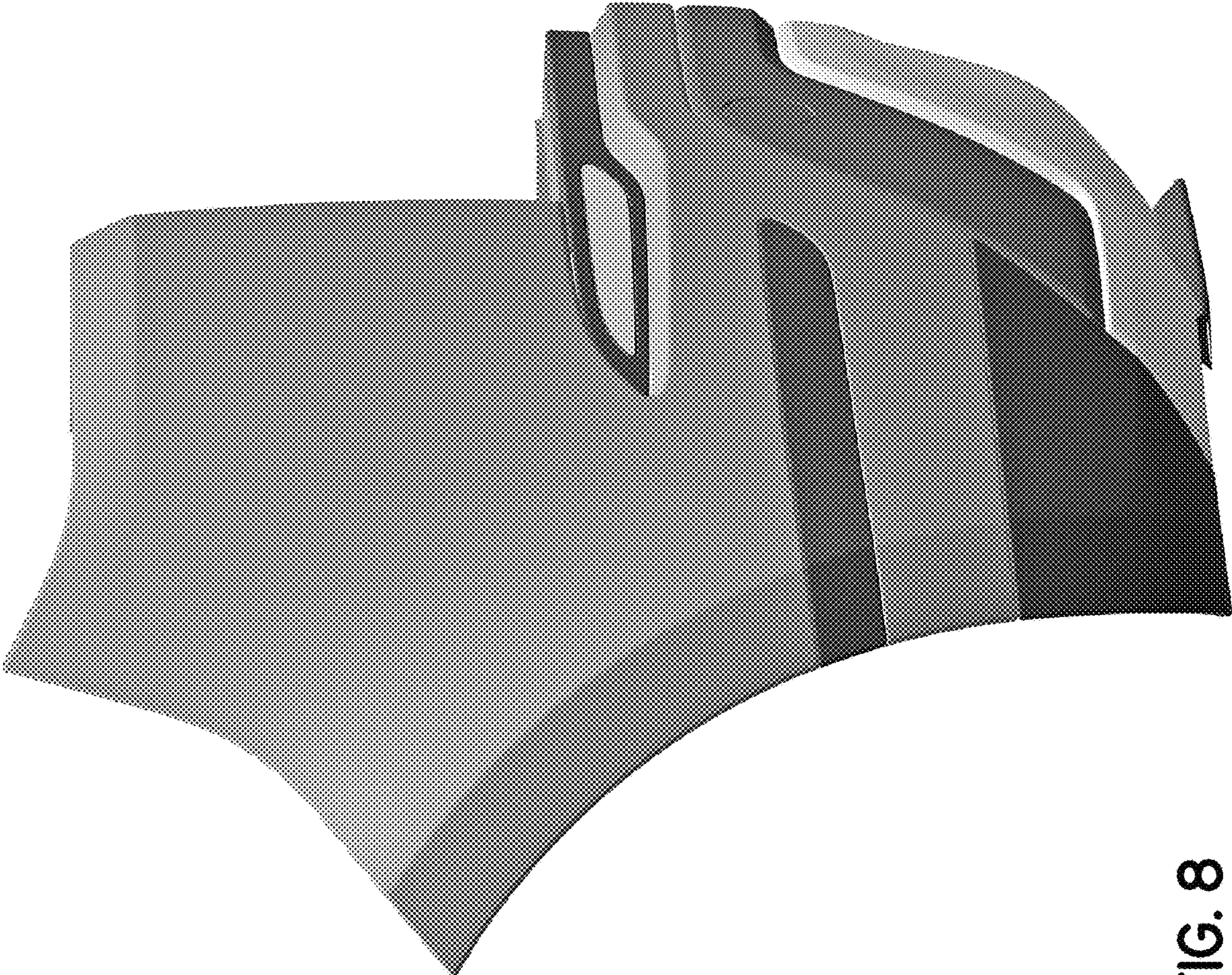


FIG. 8

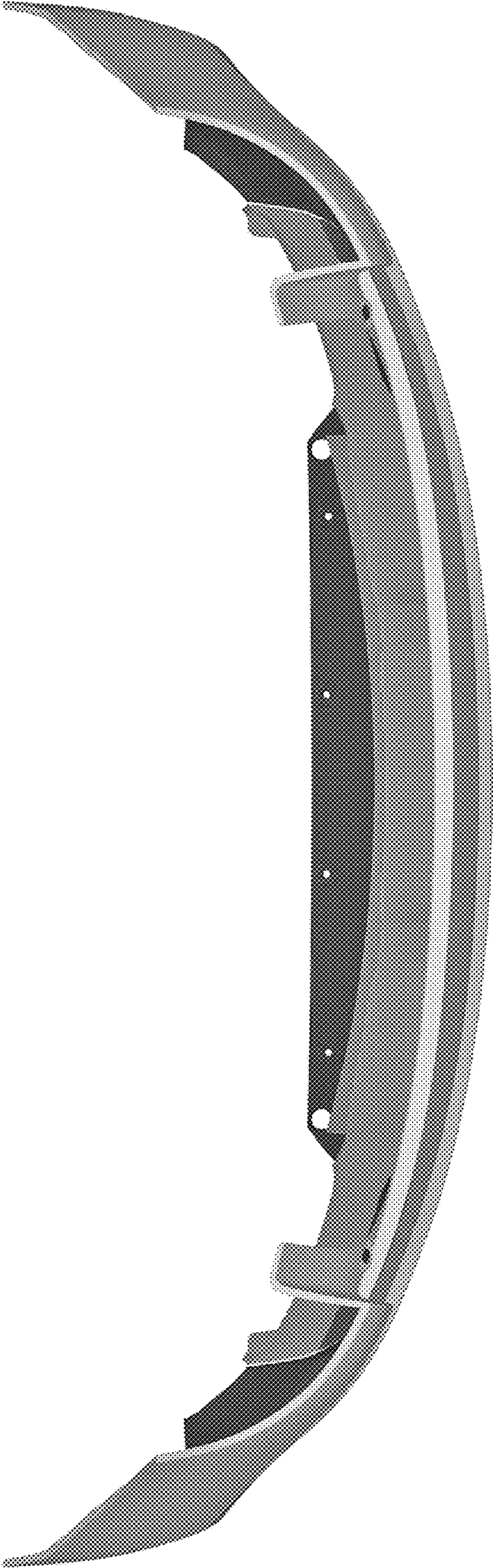


FIG. 9

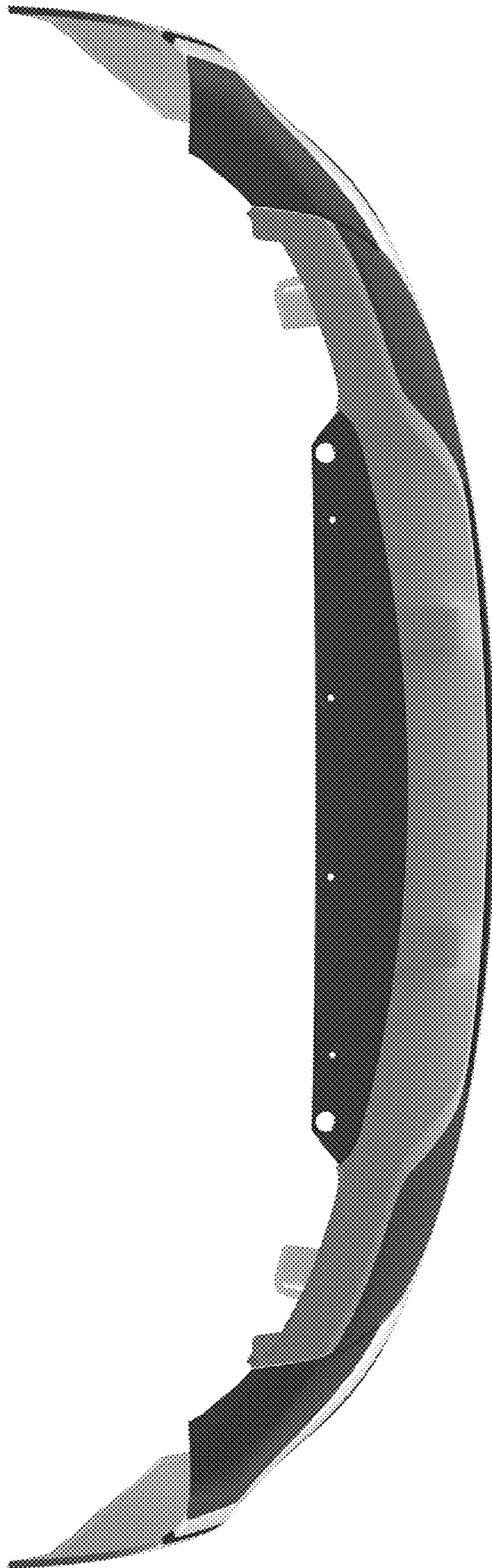


FIG. 10

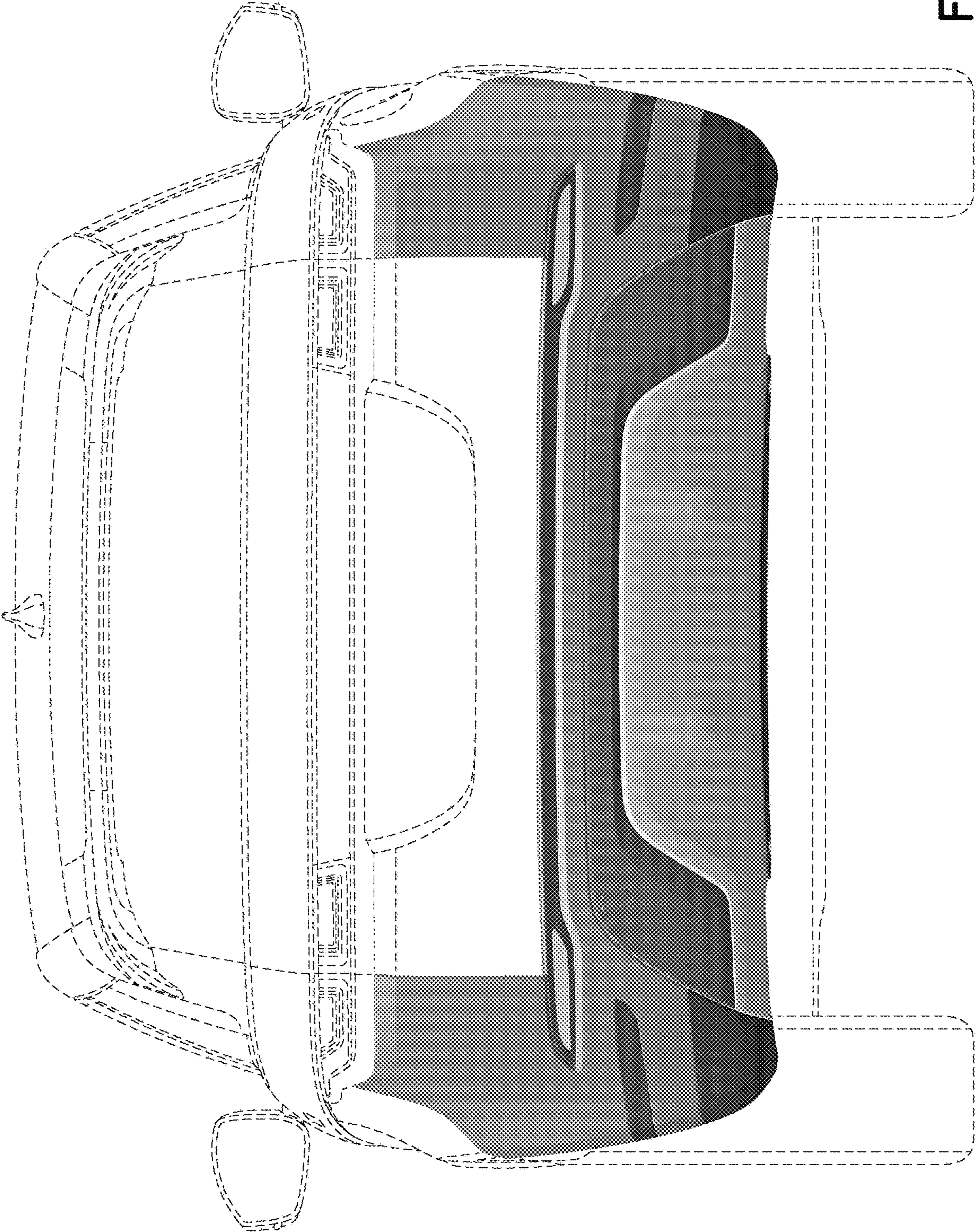


FIG. 11