



US00D976765S

(12) **United States Design Patent**  
**Savioli et al.**

(10) **Patent No.:** **US D976,765 S**  
(45) **Date of Patent:** **\*\* Jan. 31, 2023**

(54) **STAND ASSIST HANDLE ATTACHMENT**  
(71) Applicant: **Vive Health LLC**, Naples, FL (US)  
(72) Inventors: **Guy Savioli**, Naples, FL (US);  
**Brandyn Kistner**, Naples, FL (US)

(73) Assignee: **Vive Health LLC**, Naples, FL (US)

(\*\*) Term: **15 Years**

(21) Appl. No.: **29/766,624**

(22) Filed: **Jan. 16, 2021**

(51) **LOC (14) Cl.** ..... **12-12**

(52) **U.S. Cl.**  
USPC ..... **D12/133**

(58) **Field of Classification Search**  
USPC ..... D12/128-133; D21/682, 664-665, 686;  
D24/155, 188  
CPC ..... A61H 3/00; A61H 3/04; A61H 2003/001;  
A61H 2003/007; A61H 2003/043; A61H  
2003/046  
See application file for complete search history.

(56) **References Cited**

**U.S. PATENT DOCUMENTS**

645,884 A	3/1900	Ellithorp	
3,387,618 A *	6/1968	Swann	A61H 3/02 135/67
5,290,055 A	3/1994	Treat, Jr.	
D367,833 S *	3/1996	Ahlbertz	D12/128
6,557,188 B1 *	5/2003	Peterson	A61G 7/053 5/81.1 R
7,004,891 B2	2/2006	Morris et al.	
D544,050 S *	6/2007	Webber	D21/686
7,600,523 B1	10/2009	Hawkesworth	
7,703,465 B2	4/2010	Diamond	
7,784,479 B2	8/2010	Navarro	
8,215,652 B2	7/2012	Dashew et al.	

D696,162 S \* 12/2013 Skafdrup ..... B60L 50/52  
D12/130  
8,602,185 B1 \* 12/2013 White ..... A61H 3/04  
280/30  
D699,796 S \* 2/2014 Flick ..... D21/667  
(Continued)

**FOREIGN PATENT DOCUMENTS**

CN	202230352958.2	* 10/2022
CN	202230352986.4	* 10/2022
JP	2013226192	11/2013

**OTHER PUBLICATIONS**

Mobility-Aids.com, Wheelchair Push Handle Extenders, Published Jun. 16, 2017 [retrieved Oct. 24, 2022]. Retrieved from the internet<Wheelchair Push Handle Extenders : 8 inch extensions for push grips (mobility-aids.com)> (Year: 2017).\*

(Continued)

*Primary Examiner* — Joseph Kukella  
*Assistant Examiner* — Lavon M. Amerson

(57) **CLAIM**

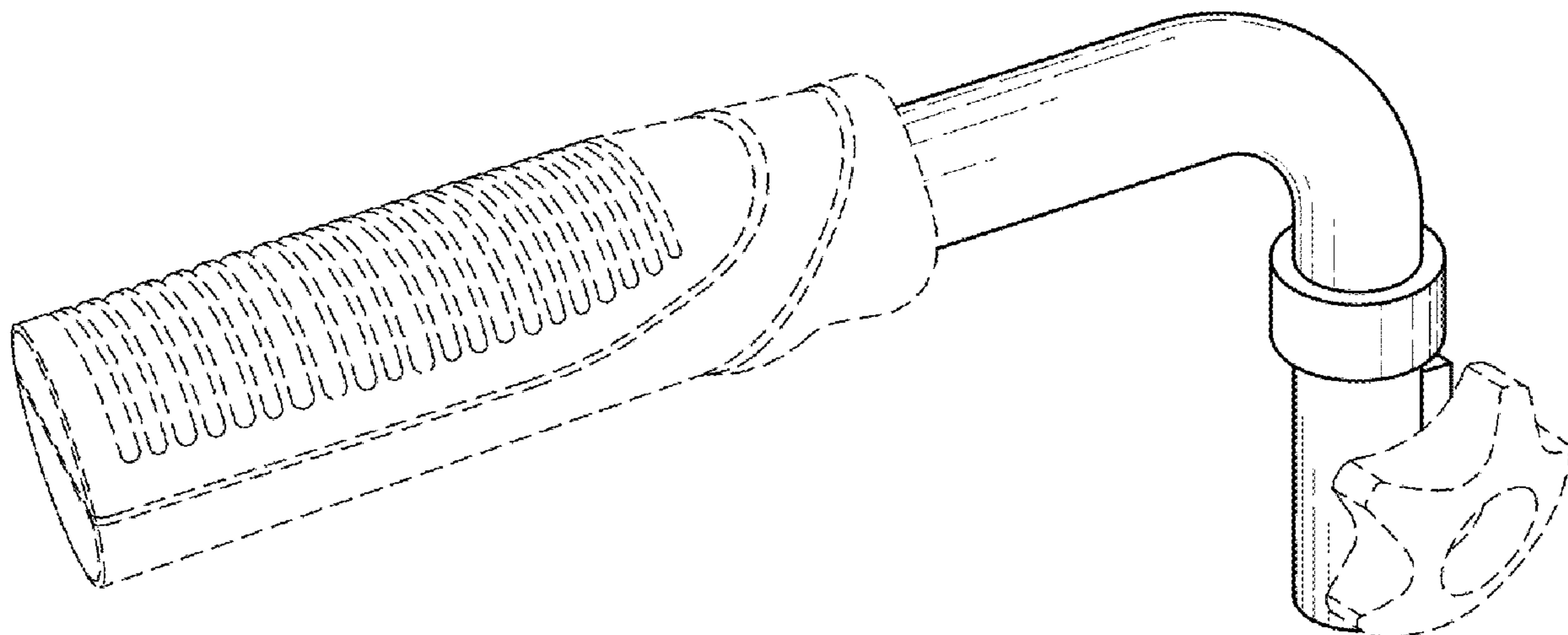
The ornamental design for a stand assist handle attachment, as shown and described.

**DESCRIPTION**

FIG. 1 is a perspective top elevational view of a stand assist handle attachment showing our new design; FIG. 2 is a front plan view thereof; FIG. 3 is a back plan view thereof; FIG. 4 is a right-side plan view thereof; FIG. 5 is a left-side plan view thereof; FIG. 6 is a top elevation view thereof; FIG. 7 is a bottom elevational view thereof; and, FIG. 8 is the product view having stand assist handle attachment.

The broken lines are included for the purpose of illustrating environmental structure that forms no part of the claimed design.

**1 Claim, 5 Drawing Sheets**



(56)

References Cited

U.S. PATENT DOCUMENTS

8,844,948 B1 \* 9/2014 Tanner ..... B62B 5/065  
 135/66  
 D720,666 S \* 1/2015 Farmer ..... D12/133  
 8,925,563 B2 \* 1/2015 Ota ..... B60L 50/52  
 135/85  
 8,992,395 B2 3/2015 Orakwusi  
 D766,140 S \* 9/2016 Chun ..... A61H 3/04  
 D12/133  
 D769,777 S \* 10/2016 Haigh ..... D12/133  
 9,597,545 B1 3/2017 Lagree et al.  
 9,616,264 B2 4/2017 Velikin et al.  
 D798,777 S \* 10/2017 Lin ..... D12/130  
 D858,366 S \* 9/2019 VanAusdall ..... D12/130  
 10,588,815 B2 3/2020 Fellingham et al.  
 D885,584 S \* 5/2020 Lopez ..... B62B 5/065  
 D24/188  
 D941,193 S \* 1/2022 Cheng ..... A61H 3/00  
 D12/130  
 D942,562 S \* 2/2022 Zhao ..... A61H 3/02  
 D21/686  
 D955,510 S \* 6/2022 Pritchett ..... B60L 3/0015  
 D21/686

2003/0145881 A1 8/2003 Harroun  
 2004/0244526 A1 12/2004 Jones  
 2005/0178416 A1 8/2005 Owens  
 2005/0279392 A1 12/2005 Lapierre  
 2010/0051076 A1 3/2010 McGann  
 2011/0241303 A1 10/2011 Campbell  
 2013/0139861 A1 6/2013 Spangler  
 2016/0287465 A1 \* 10/2016 Rabin ..... B60L 3/0015  
 2020/0000673 A1 \* 1/2020 Morgan ..... A61H 3/04  
 2021/0016450 A1 \* 1/2021 Fan ..... A61H 3/00

OTHER PUBLICATIONS

Youtube, Med plus Mart, Drive Nitro Duet Rollator and Transport Chair, published May 10, 2021 [retrieved Oct. 24, 2022]. Retrieved from the internet<Drive Nitro Duet Rollator and Transport Chair—Product Overview—YouTube> (Year: 2021).\*

ebay, Car cane Portable Handle Door Grab Assist Mobility Aid Glass Breaker Belt Cutter, published Jul. 28, 2022 [retrieved Oct. 24, 2022]. Retrieved from the internet<<https://www.ebay.com/itm/393431942619>> (Year: 2022).\*

\* cited by examiner

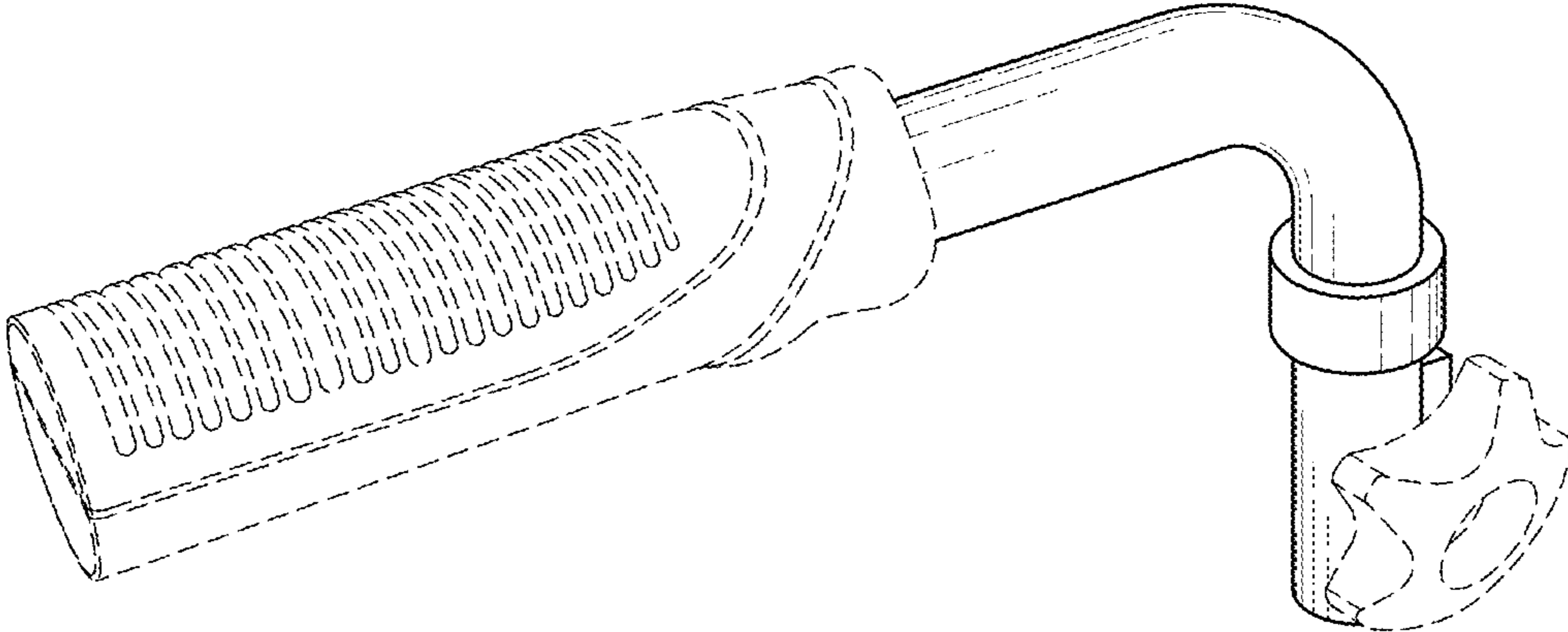


FIG. 1

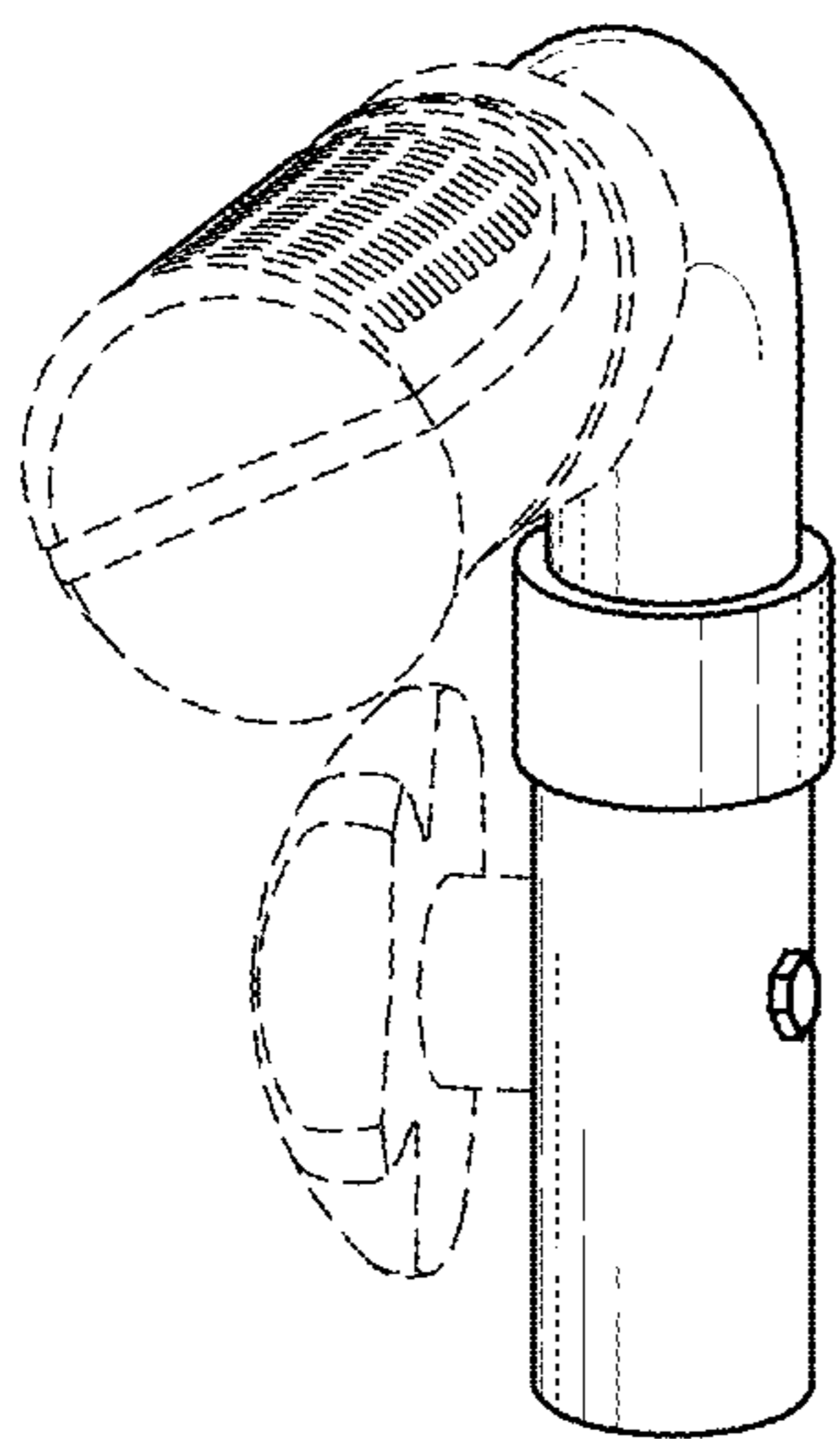


FIG. 2

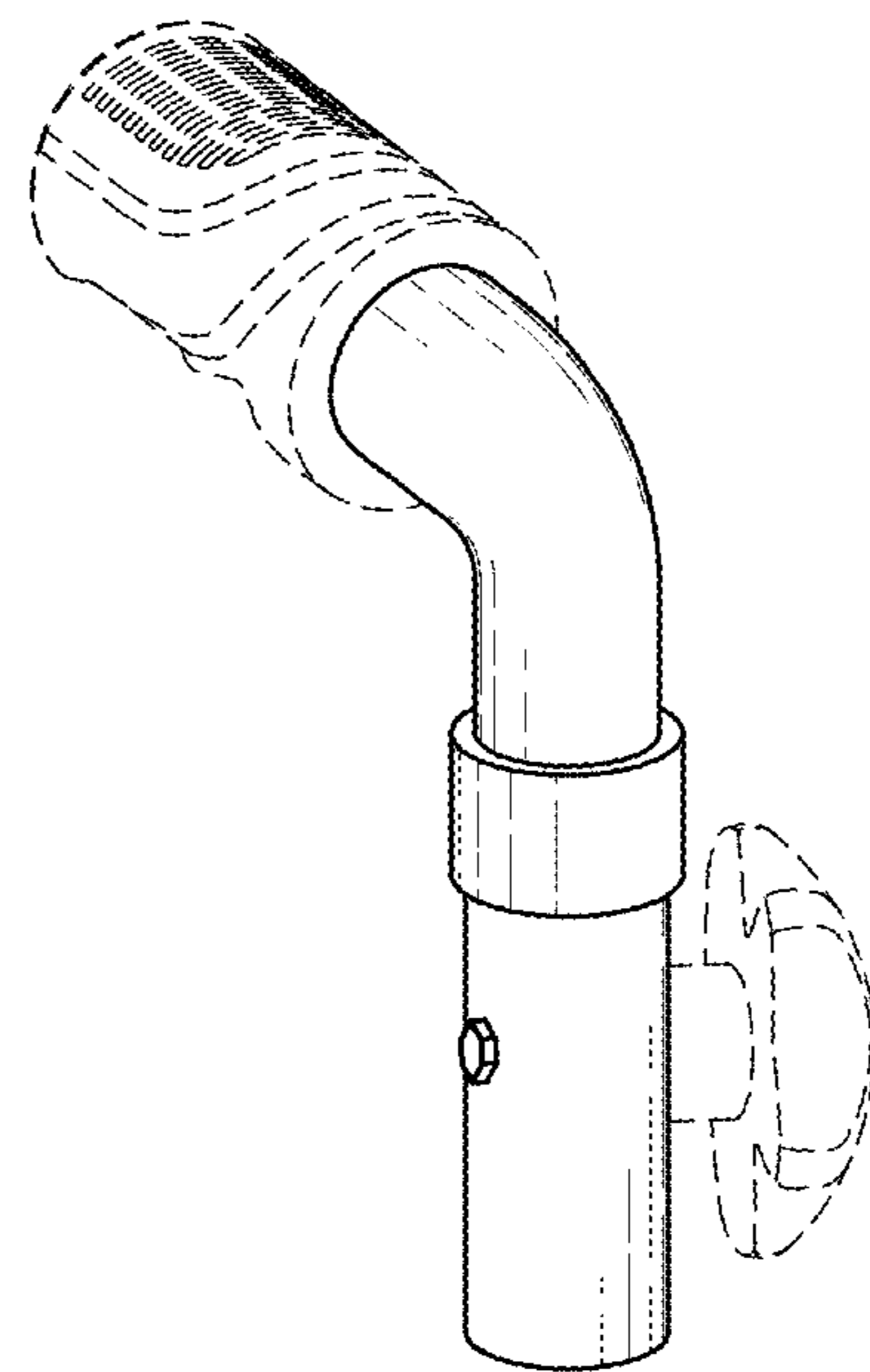


FIG. 3

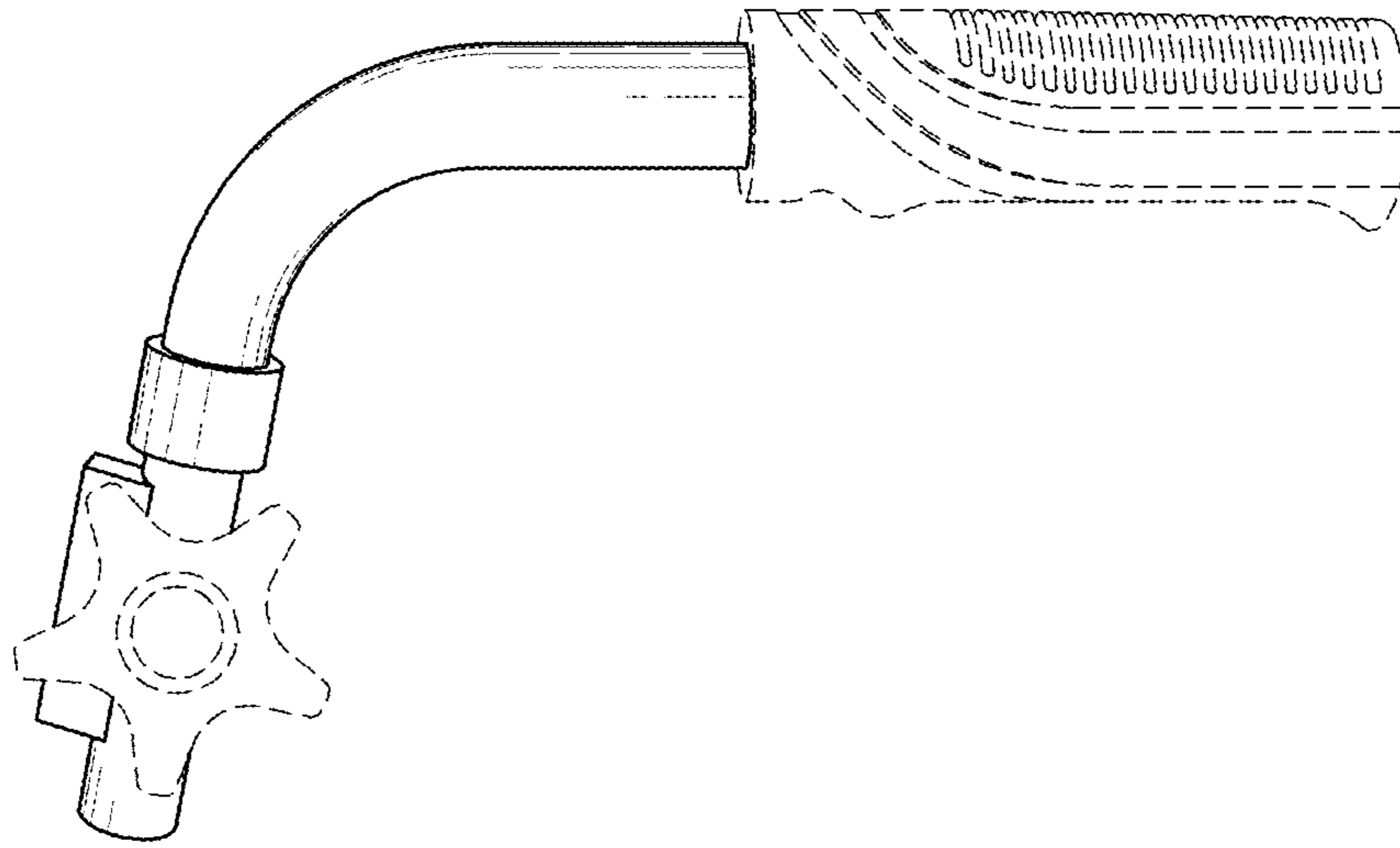


FIG. 4

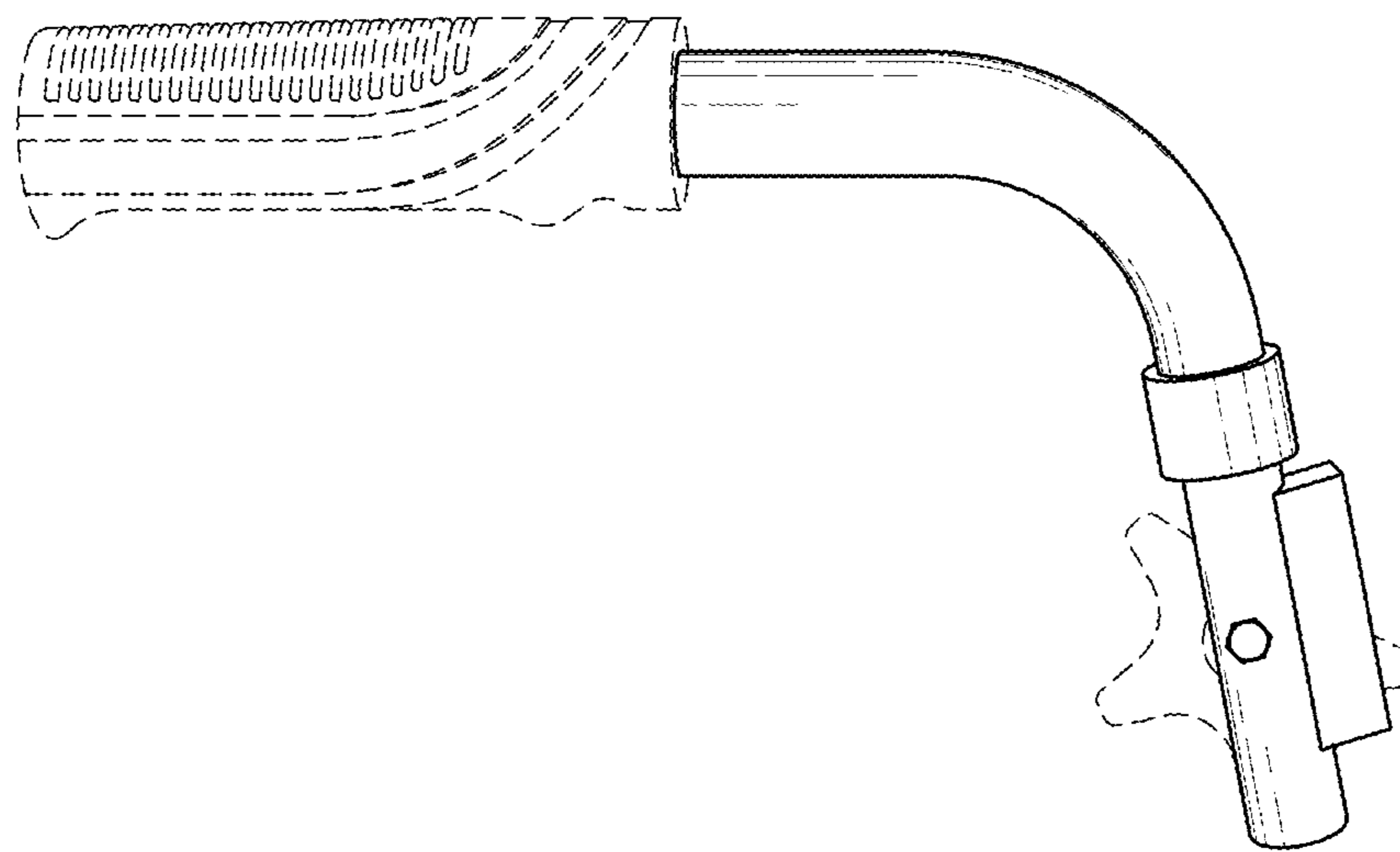


FIG. 5

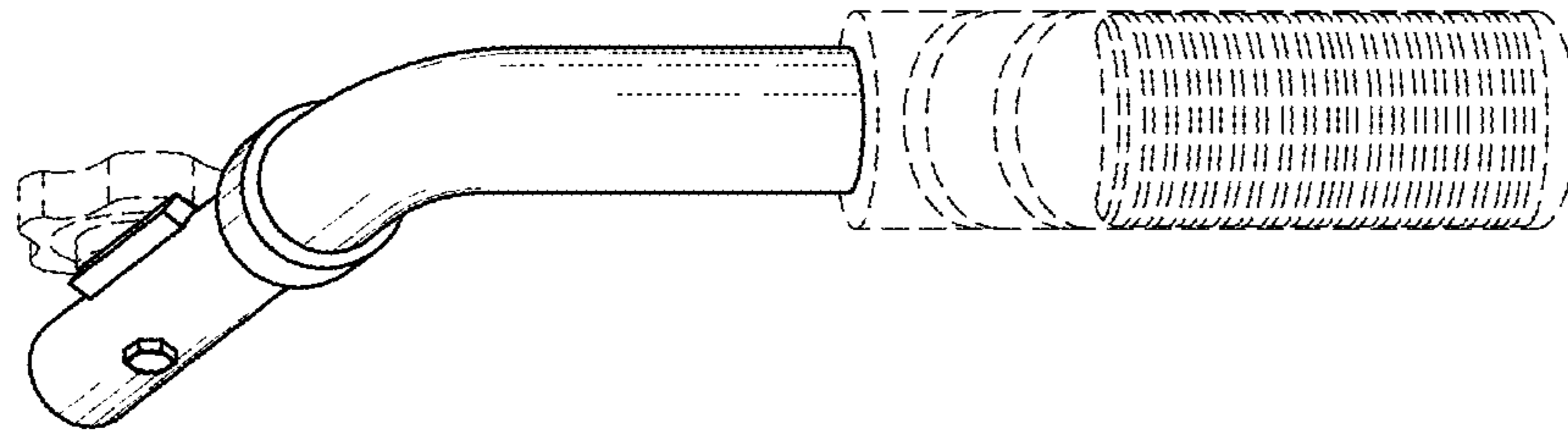


FIG. 6

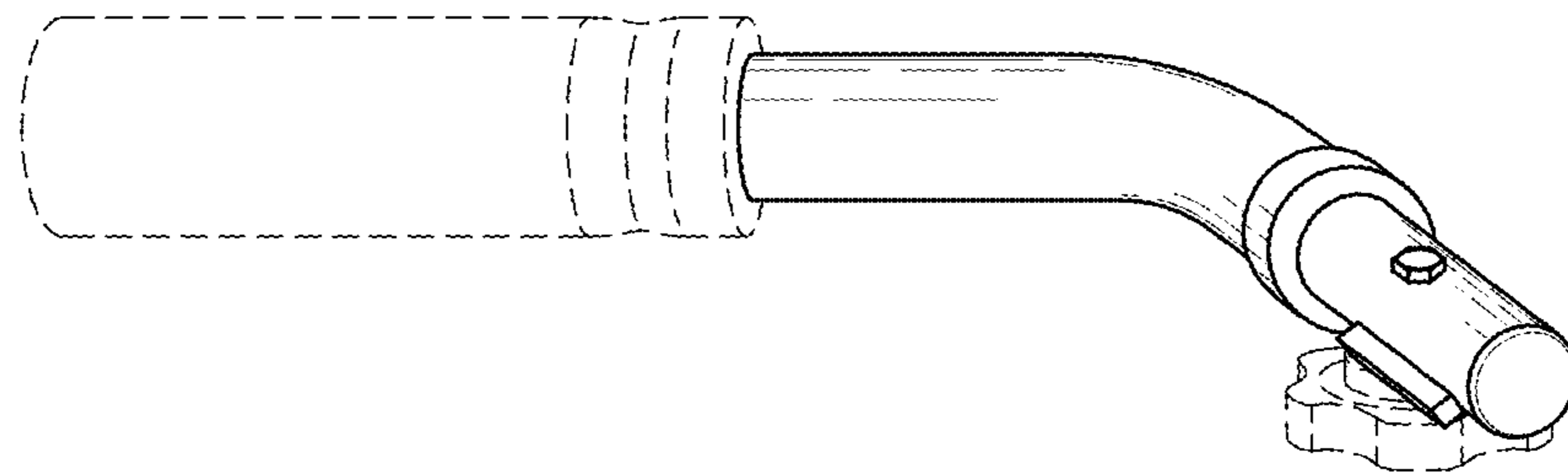


FIG. 7

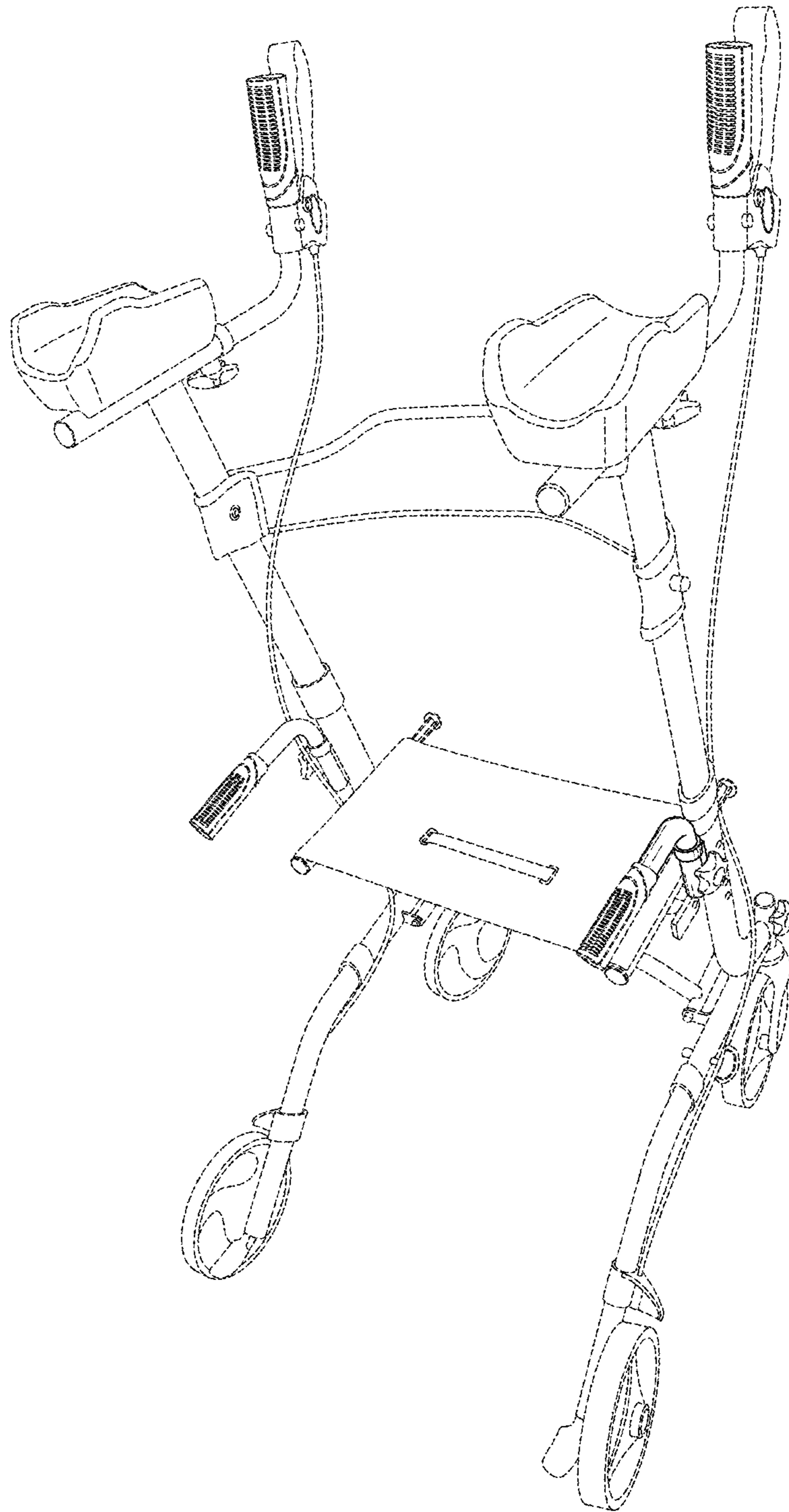


FIG. 8