



US00D976764S

(12) **United States Design Patent**
Pitts et al.

(10) **Patent No.:** **US D976,764 S**
(45) **Date of Patent:** **** Jan. 31, 2023**

- (54) **OFF-ROAD MOBILITY CHAIR**
- (71) Applicants: **Dale Pitts**, Payson, UT (US); **Todd Loader**, Payson, UT (US); **Adam Beesley**, Payson, UT (US)
- (72) Inventors: **Dale Pitts**, Payson, UT (US); **Todd Loader**, Payson, UT (US); **Adam Beesley**, Payson, UT (US)
- (**) Term: **15 Years**
- (21) Appl. No.: **29/707,466**
- (22) Filed: **Sep. 27, 2019**
- (51) **LOC (14) Cl.** **12-12**
- (52) **U.S. Cl.**
USPC **D12/131**
- (58) **Field of Classification Search**
USPC D12/128-133
CPC A61G 5/00-14
See application file for complete search history.

6,193,253	B1 *	2/2001	Barnett	B62M 1/12
					280/282
6,352,274	B1 *	3/2002	Redman	B62K 5/08
					280/282
6,409,195	B1 *	6/2002	Adams	A61G 5/023
					280/282
D622,640	S *	8/2010	Gower	D12/129
D876,993	S *	3/2020	Koshiishi	D12/131
2018/0185209	A1 *	7/2018	Fontanesi	A61G 5/02
2021/0123825	A1 *	4/2021	Ikeuchi	G01B 7/30

* cited by examiner

Primary Examiner — Charles D Hanson
(74) *Attorney, Agent, or Firm* — Quickpatents, LLC;
Kevin Prince

- (56) **References Cited**
U.S. PATENT DOCUMENTS
- 4,705,284 A * 11/1987 Stout A61G 5/025
280/282
- 4,892,323 A * 1/1990 Oxford B62K 5/023
280/272
- 5,333,894 A * 8/1994 Mayes A61G 5/1054
280/86.753
- 6,070,894 A * 6/2000 Augspurger B62K 3/005
280/282
- 6,105,986 A * 8/2000 Franks B62M 1/14
280/250

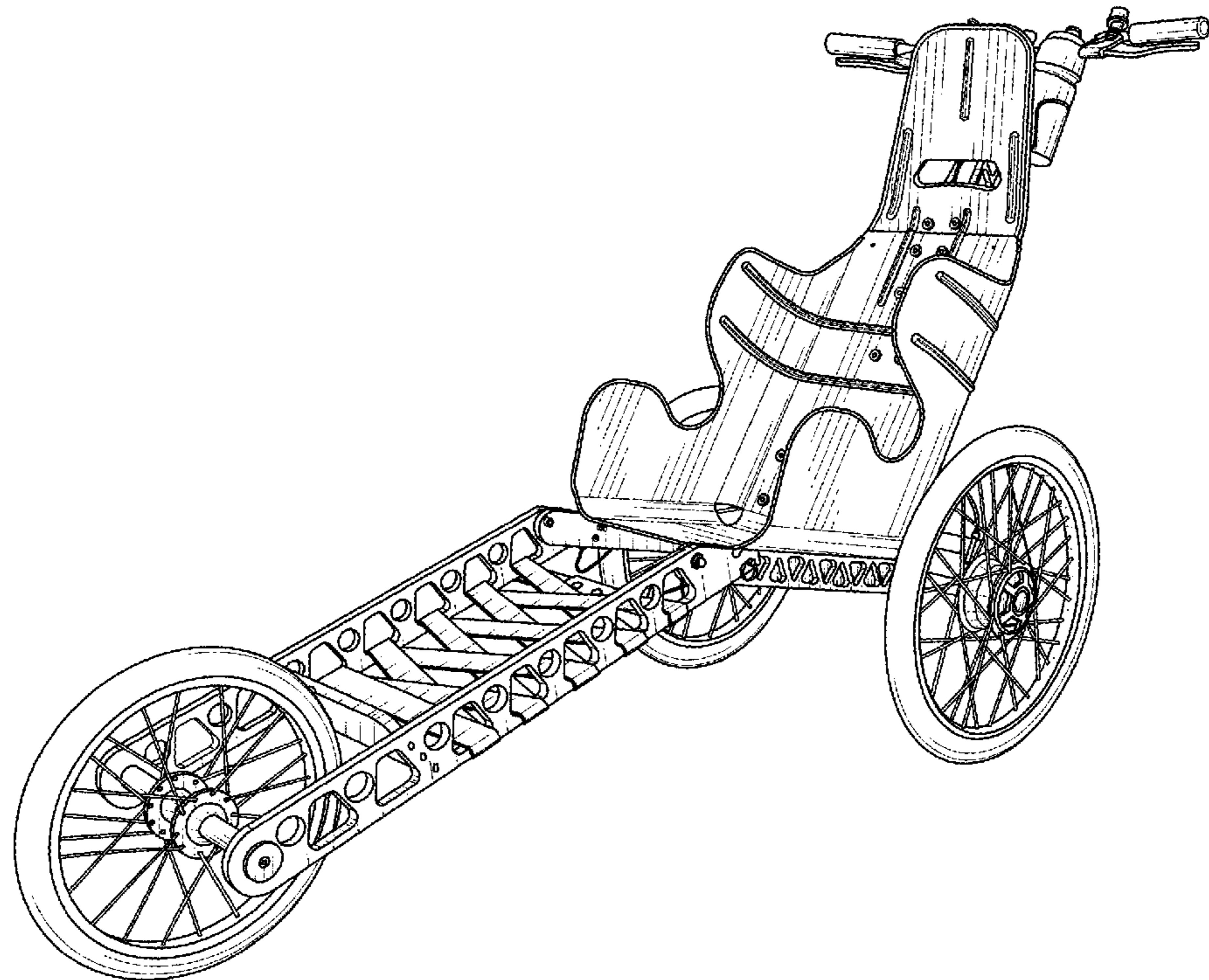
(57) **CLAIM**

The ornamental design for an off-road mobility chair, as shown and described.

DESCRIPTION

FIG. 1 is a front perspective view of an off-road mobility chair, showing a first embodiment of our new design; FIG. 2 is a cross-sectional view of FIG. 1; FIG. 3 is a rear perspective view of FIG. 1; FIG. 4 is a left-side elevational view of FIG. 1; FIG. 5 is a right-side elevational view of FIG. 1; FIG. 6 is a partial perspective view of FIG. 1; FIG. 7 is a bottom plan view of FIG. 1; and, FIG. 8 is a rear perspective view of FIG. 1.

1 Claim, 8 Drawing Sheets



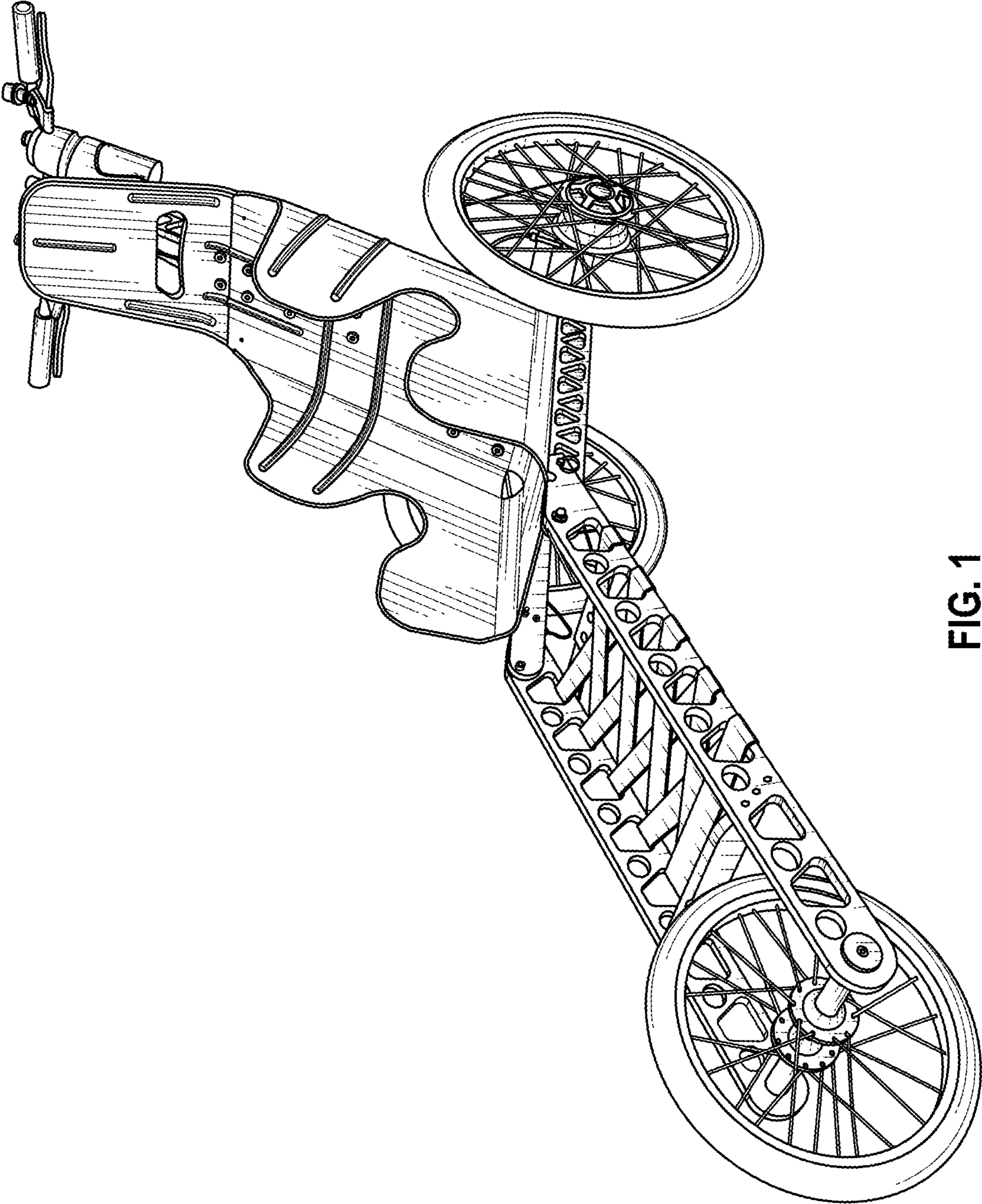


FIG. 1

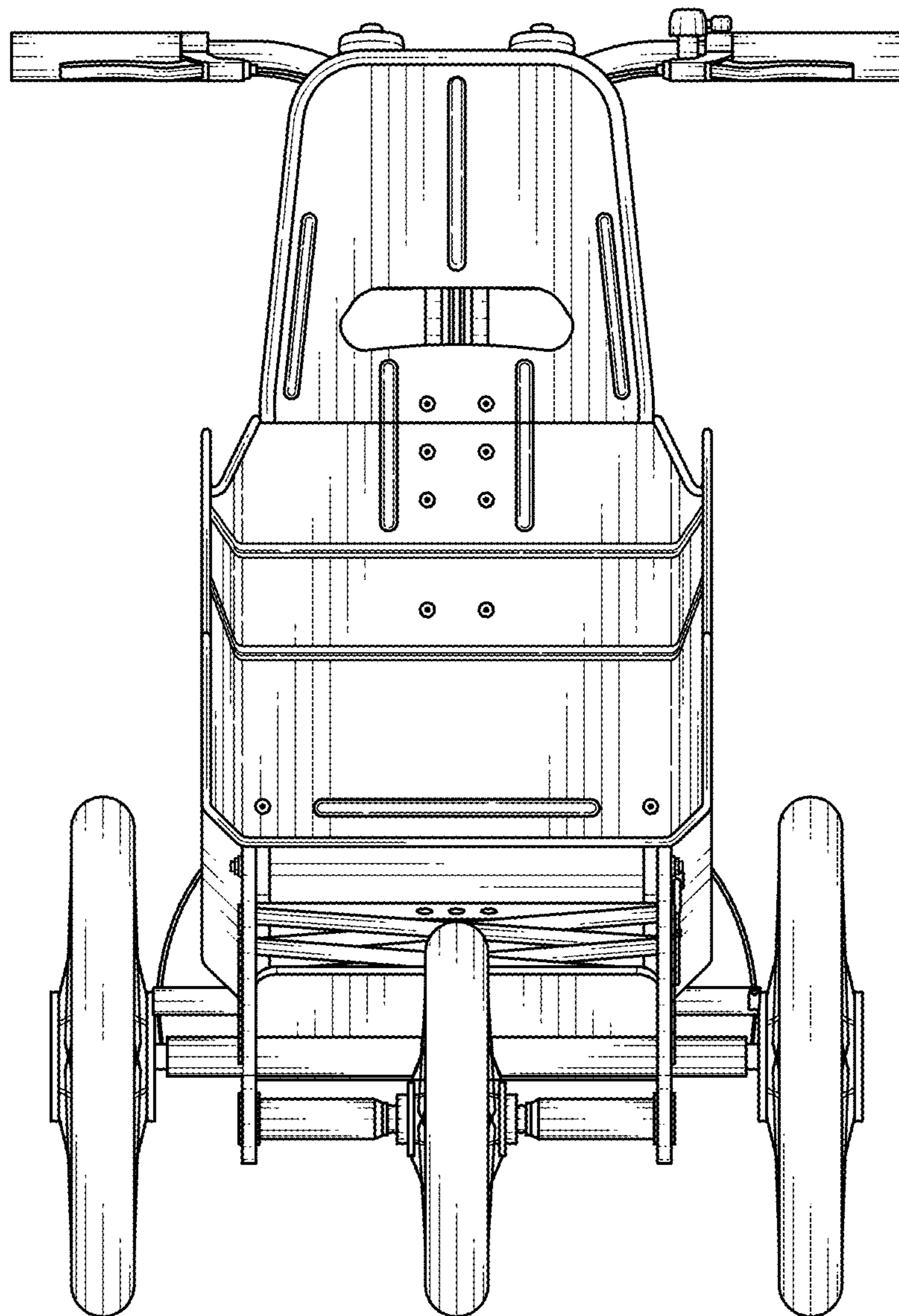


FIG. 2

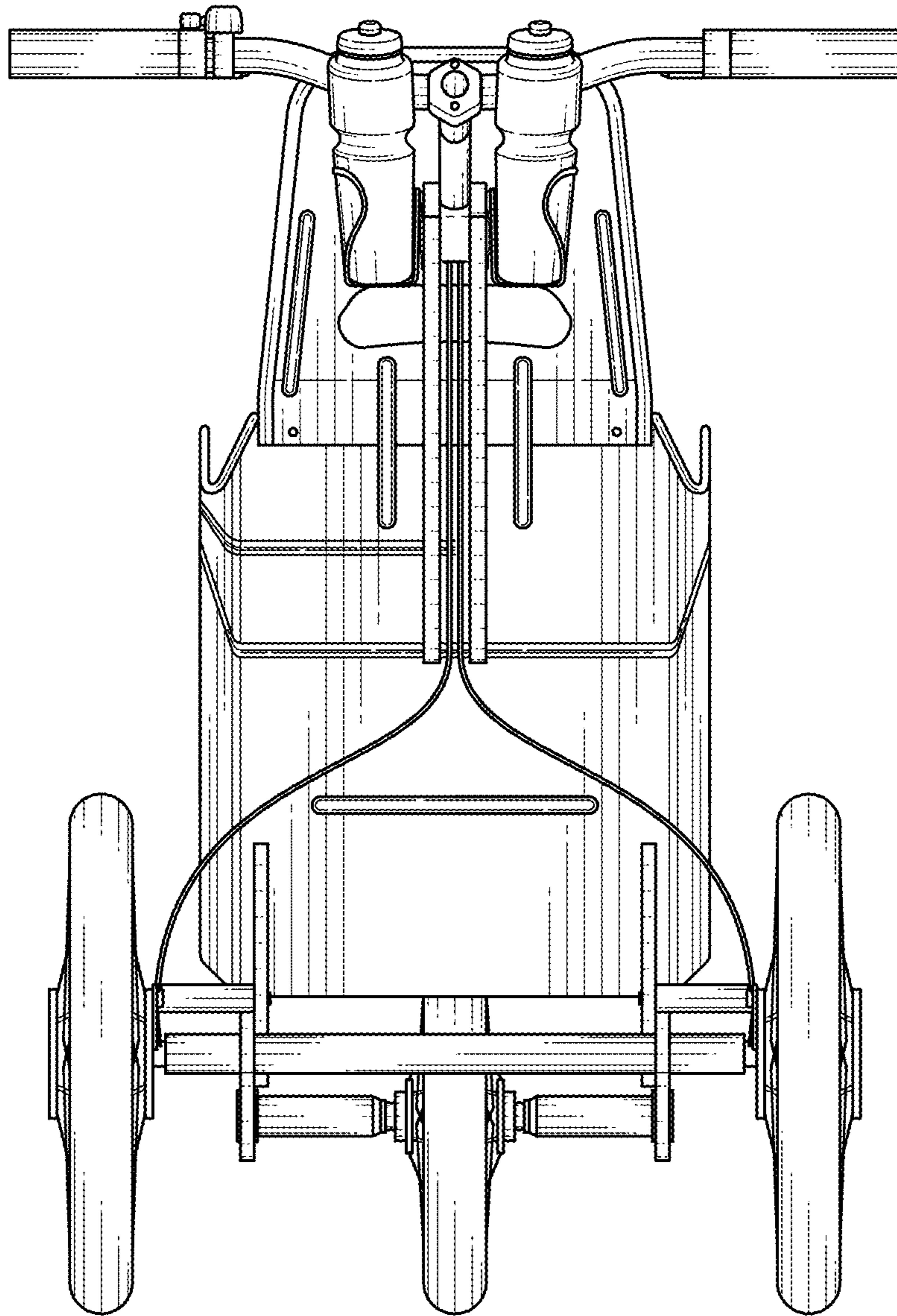


FIG. 3

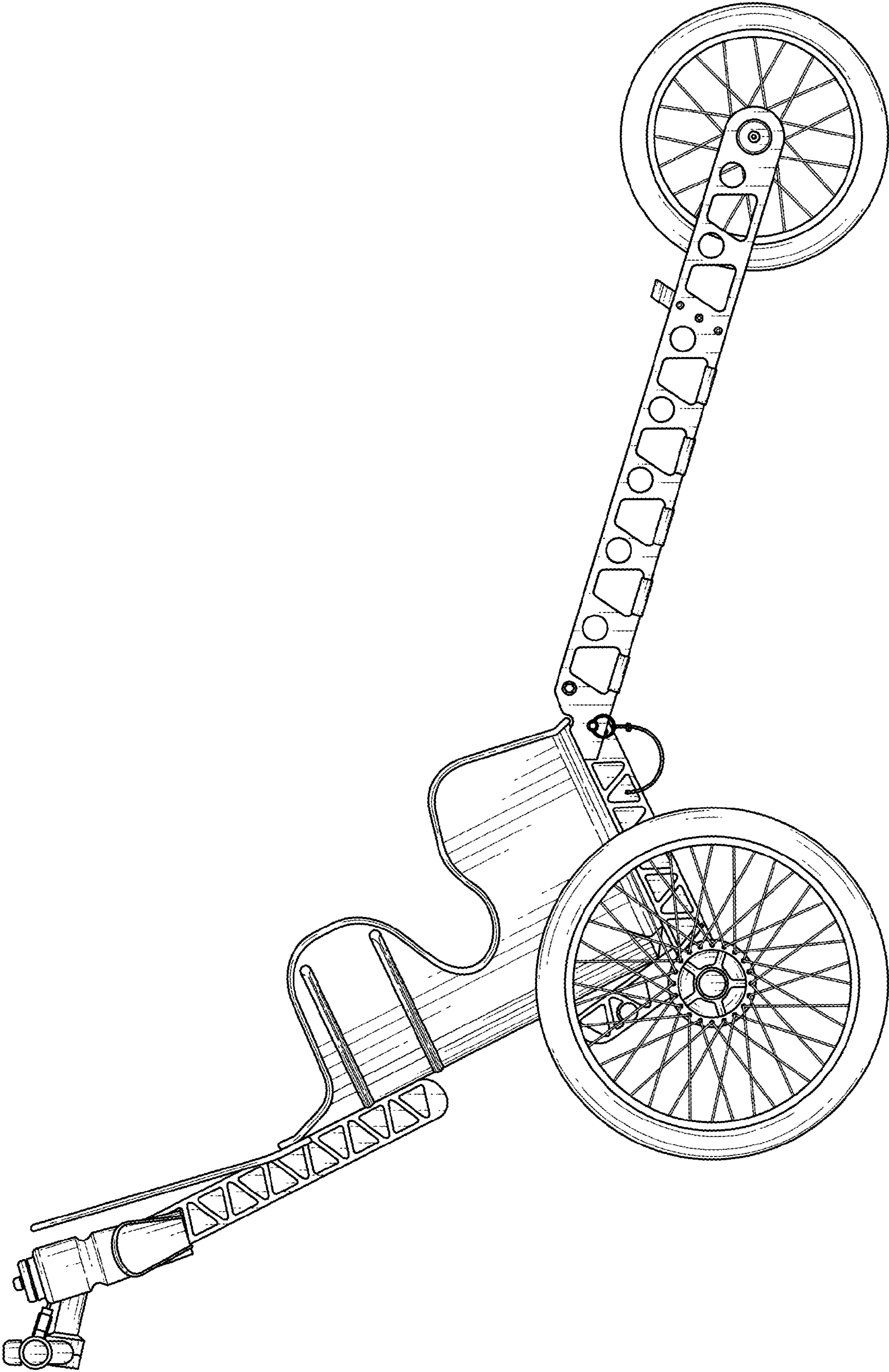


FIG. 4

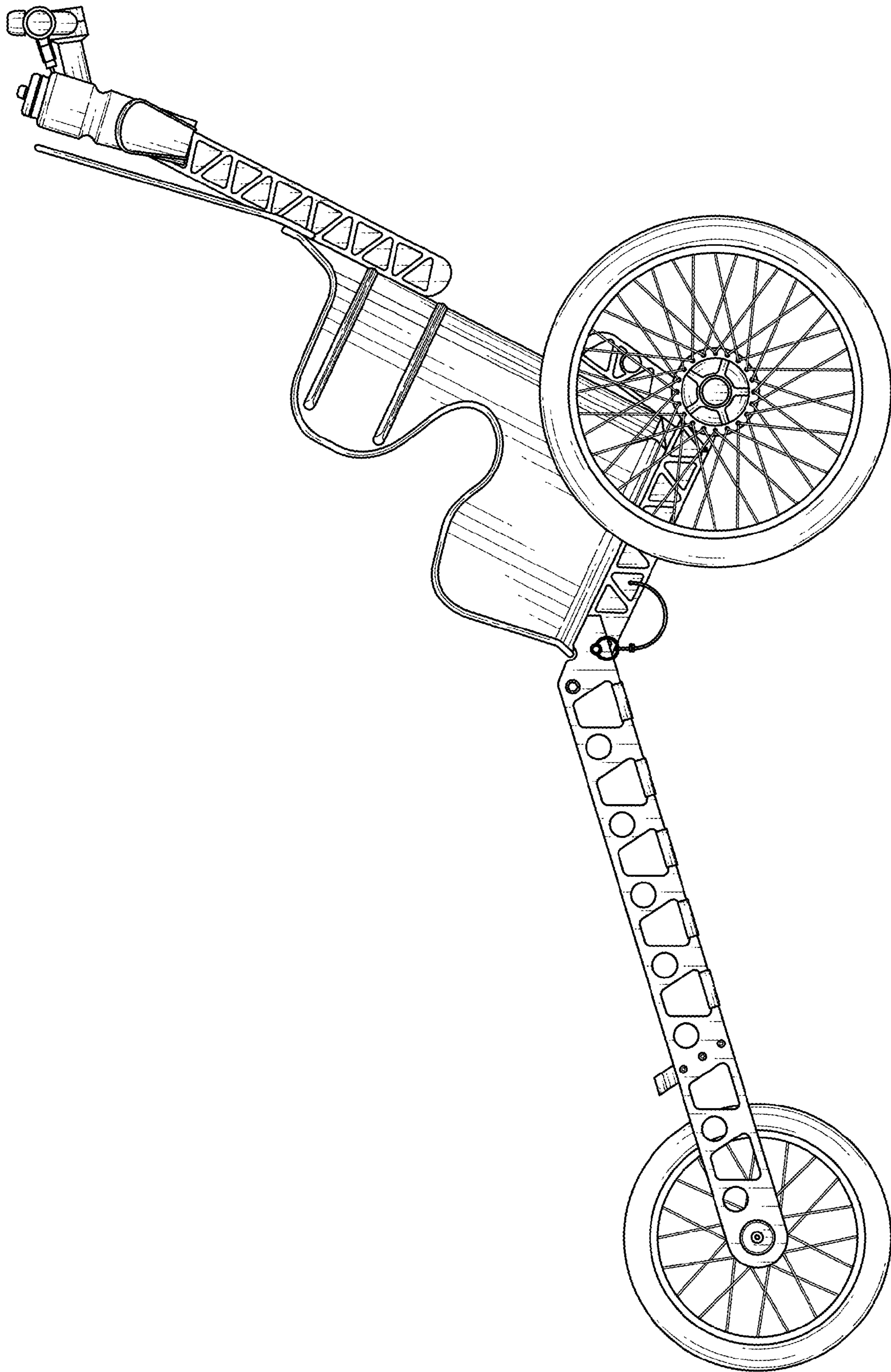


FIG. 5

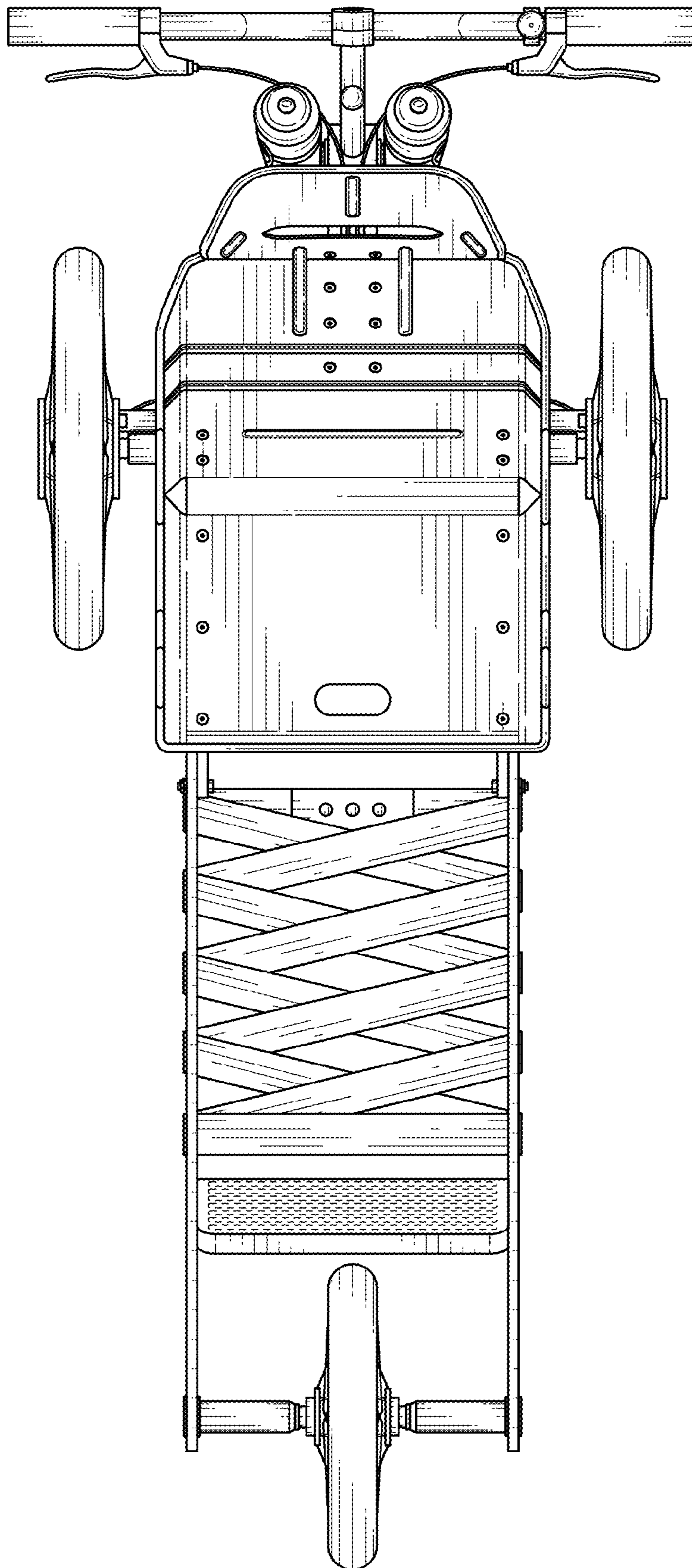


FIG. 6

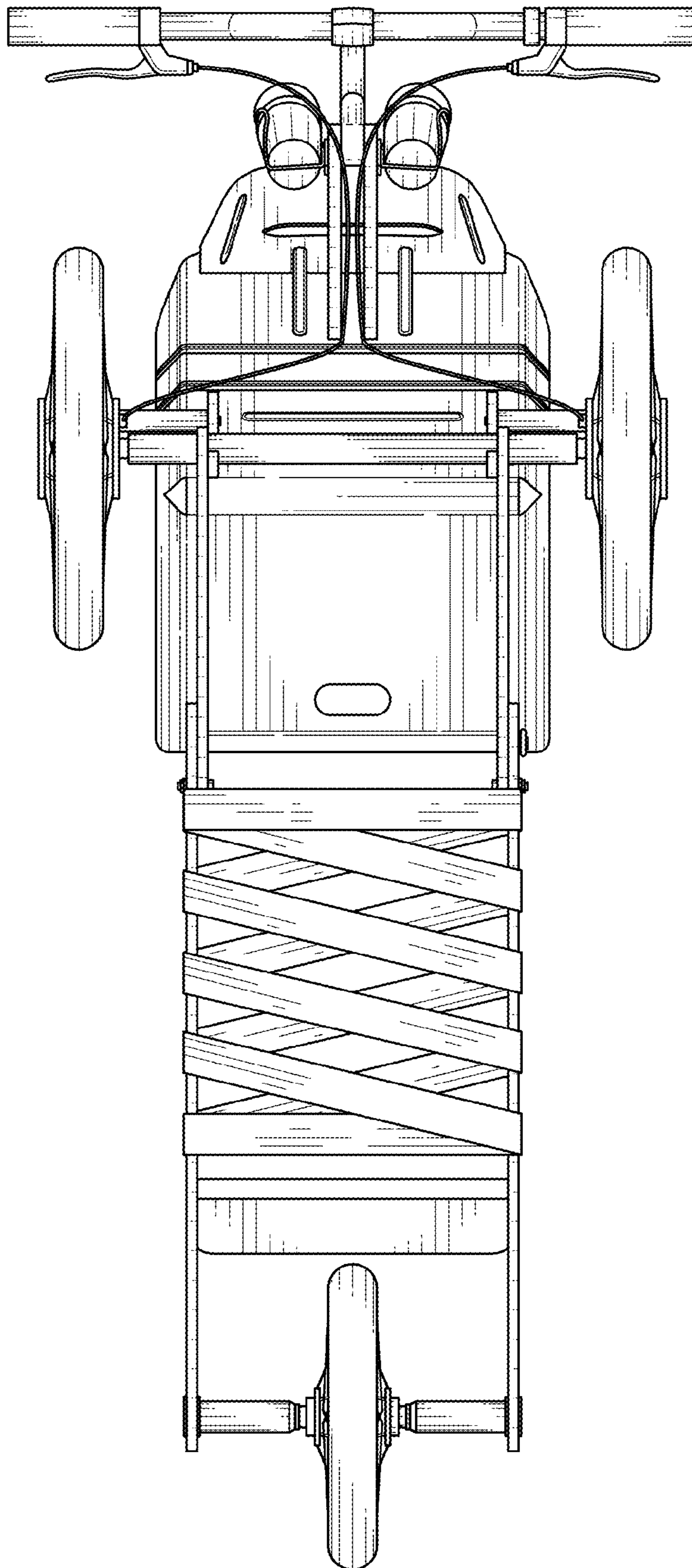


FIG. 7

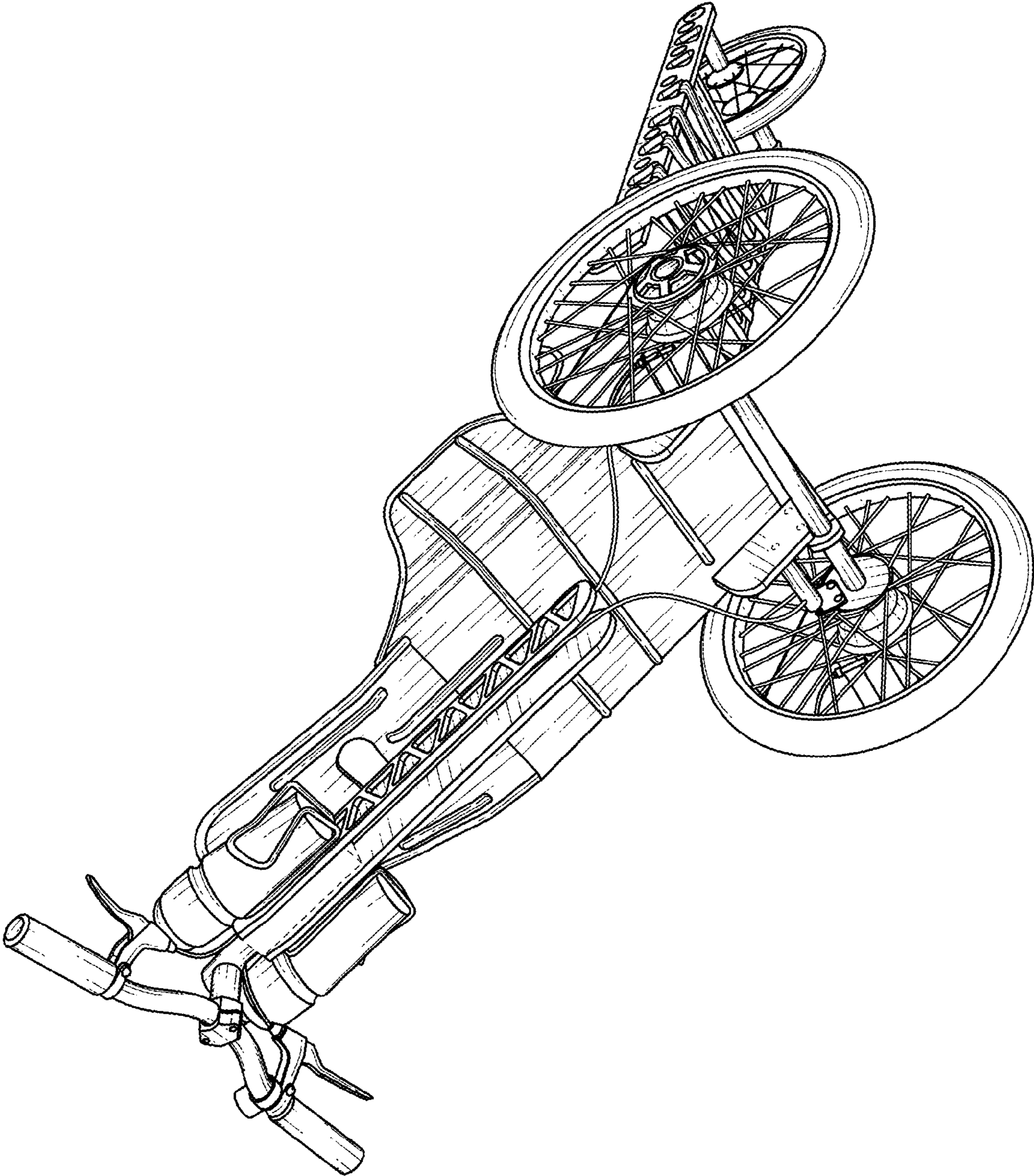


FIG. 8