



US00D976763S

(12) **United States Design Patent** (10) **Patent No.:** **US D976,763 S**
Ambrose et al. (45) **Date of Patent:** **** Jan. 31, 2023**

(54) **ROLLATOR**

(71) Applicant: **Drive DeVilbiss Healthcare**, Port Washington, NY (US)

(72) Inventors: **Benjamin Ambrose**, Wetherby (GB); **Jordan Martin**, Halifax (GB); **Olivia Whitmore**, Newcastle-under-Lyme (GB); **Samuel Thompson**, Wensley (GB); **Elizabeth Natale**, Littleton, CO (US)

(73) Assignee: **Drive DeVilbiss Healthcare**, Port Washington, NY (US)

(**) Term: **15 Years**

(21) Appl. No.: **29/770,270**

(22) Filed: **Feb. 10, 2021**

(51) **LOC (14) Cl.** **12-12**

(52) **U.S. Cl.**
USPC **D12/130**

(58) **Field of Classification Search**
USPC D12/130
CPC A61H 3/00; A61H 3/04; A61H 2003/001-007; A61H 2003/043; A61H 2003/046

See application file for complete search history.

(56) **References Cited**

U.S. PATENT DOCUMENTS

3,877,505 A	4/1975	Besuden et al.
4,869,279 A	9/1989	Hedges
5,275,473 A	1/1994	Hicks
5,284,350 A	2/1994	Geiger et al.
5,328,183 A	7/1994	Counts
5,358,204 A	10/1994	Terada
5,533,793 A	7/1996	Walker
5,984,245 A	11/1999	Hsu
6,050,582 A	4/2000	Horacek

6,241,275 B1	6/2001	Slagerman
6,367,823 B1	4/2002	Miyagi
6,463,825 B2	10/2002	Lee
6,563,035 B2	5/2003	Hsieh
6,817,451 B1	11/2004	Chen
D501,432 S	2/2005	Møller
6,923,416 B1	8/2005	Hsieh
7,368,647 B2	5/2008	Hsieh
7,384,058 B2	6/2008	Munsey et al.
7,410,179 B2	8/2008	Lonkvist
7,559,560 B2	7/2009	Li et al.
8,240,437 B2	8/2012	Liljedahl
8,544,516 B2	10/2013	Mariman et al.
8,628,108 B2	1/2014	Gingras et al.

(Continued)

FOREIGN PATENT DOCUMENTS

CA	2594566 A1	1/2009
CA	2837594 A1	6/2015

(Continued)

Primary Examiner — Charles D Hanson

(74) *Attorney, Agent, or Firm* — Moyles IP, LLC; Bradley J. Shelowitz

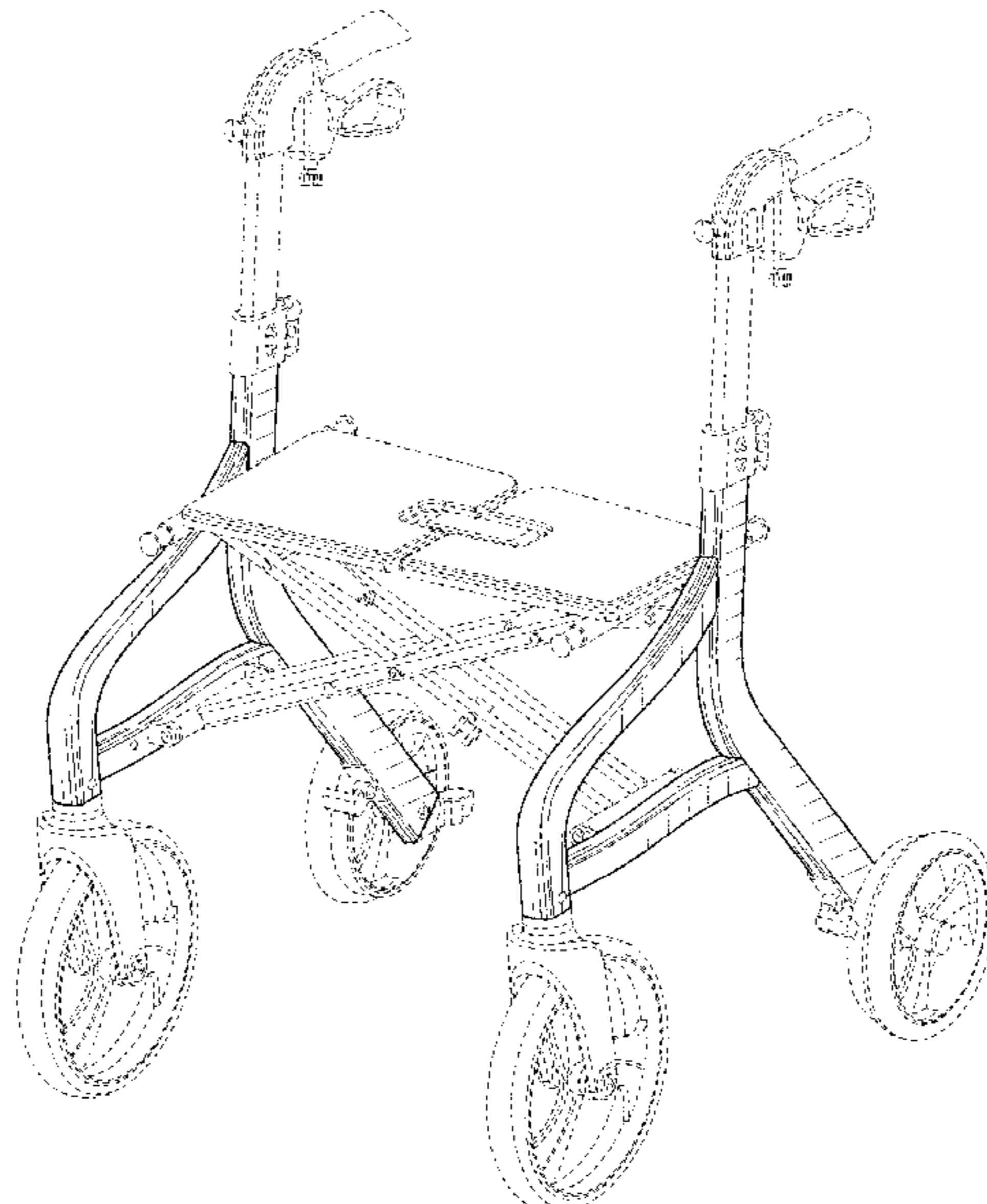
(57) **CLAIM**

The ornamental design for a rollator, as shown and described.

DESCRIPTION

FIG. 1 is a front, perspective view of a rollator in accordance with the present design;
 FIG. 2 is a front side view thereof;
 FIG. 3 is a rear side view thereof;
 FIG. 4 is a right side view thereof;
 FIG. 5 is a left side view thereof;
 FIG. 6 is a top plan view thereof; and,
 FIG. 7 is a bottom plan view thereof.
 The broken lines shown in the drawings illustrate portions of the rollator that form no part of the claimed design.

1 Claim, 7 Drawing Sheets



(56)

References Cited

U.S. PATENT DOCUMENTS

D699,634 S 2/2014 Wu
 8,646,804 B2 2/2014 Derks et al.
 8,708,363 B1 4/2014 Chang
 8,840,125 B2 9/2014 Huang
 8,998,223 B2 4/2015 Chang
 D739,314 S 9/2015 Wang et al.
 9,221,433 B2 12/2015 Dunlap
 9,381,132 B2 7/2016 Chen
 9,474,203 B2 10/2016 Anderson et al.
 9,643,454 B2 5/2017 Kumar et al.
 9,731,562 B2 8/2017 Smith et al.
 9,821,827 B2 11/2017 Kindberg
 9,839,571 B2 12/2017 Pan
 9,854,734 B2 1/2018 Phely et al.
 9,877,889 B2 1/2018 Chen
 D819,503 S 6/2018 Huang
 D836,499 S * 12/2018 Delatorre D12/130
 D837,697 S * 1/2019 Luo D12/130
 D840,877 S * 2/2019 Michelena D12/130
 D845,841 S 4/2019 No-Young
 D865,575 S * 11/2019 Lin D12/130
 10,485,724 B2 11/2019 Schaaper et al.
 D869,347 S * 12/2019 Huang D12/130
 D874,351 S 2/2020 Fellingham et al.
 10,555,866 B2 2/2020 Pan et al.
 10,618,349 B2 4/2020 Johnson
 10,667,967 B2 6/2020 Horacek
 10,667,968 B2 6/2020 Ueda et al.
 10,675,207 B2 6/2020 VanAusdall
 D897,243 S * 9/2020 Tsai D12/130
 D897,244 S * 9/2020 Tangen D12/130
 D902,791 S * 11/2020 Fellingham D12/130
 D926,640 S * 8/2021 Huang D12/130
 D940,601 S * 1/2022 Li D12/130
 D941,193 S * 1/2022 Cheng D12/130
 D943,464 S * 2/2022 Pinghua D12/130
 D943,466 S * 2/2022 Tangen D12/133
 D944,128 S * 2/2022 FitzPatrick D12/130
 D953,210 S * 5/2022 Lu D12/130

D962,129 S * 8/2022 Delatorre D12/130
 2004/0021299 A1 2/2004 Tsai
 2005/0077760 A1 4/2005 Smith
 2005/0121566 A1 6/2005 Hennessey et al.
 2007/0267835 A1 11/2007 Huang
 2017/0354564 A1 * 12/2017 Dirauf A61H 3/04
 2020/0016933 A1 1/2020 Knotowicz et al.
 2020/0078258 A1 3/2020 Kanaya et al.

FOREIGN PATENT DOCUMENTS

CN 210844117 U 6/2020
 DE 8614849 U1 8/1986
 DE 9218713 U1 4/1995
 DE 102010031954 A1 1/2012
 DE 202012100468 U1 3/2012
 DE 202012100469 U1 3/2012
 DE 202012100470 U1 3/2012
 DE 202012103311 U1 9/2012
 DE 102012000587 A1 7/2013
 DE 202011110430 U1 12/2013
 DE 202019101063 U1 4/2019
 EP 1238824 A1 9/2002
 EP 1824724 A2 8/2007
 EP 1931295 A1 6/2008
 EP 2140846 A1 1/2010
 EP 2328536 A1 6/2011
 EP 2520266 A1 11/2012
 EP 2535033 A1 12/2012
 EP 2878290 A1 6/2015
 EP 3095431 A1 11/2016
 EP 3487464 A1 5/2019
 GB 2424213 A 9/2006
 WO 2007007811 A1 1/2007
 WO 2007043268 A1 4/2007
 WO 2016038671 A1 3/2016
 WO 2018052306 A1 3/2018
 WO 2018056829 A1 3/2018
 WO 2020006790 A1 1/2020
 WO 2020067902 A1 4/2020
 WO 2020067903 A1 4/2020

* cited by examiner

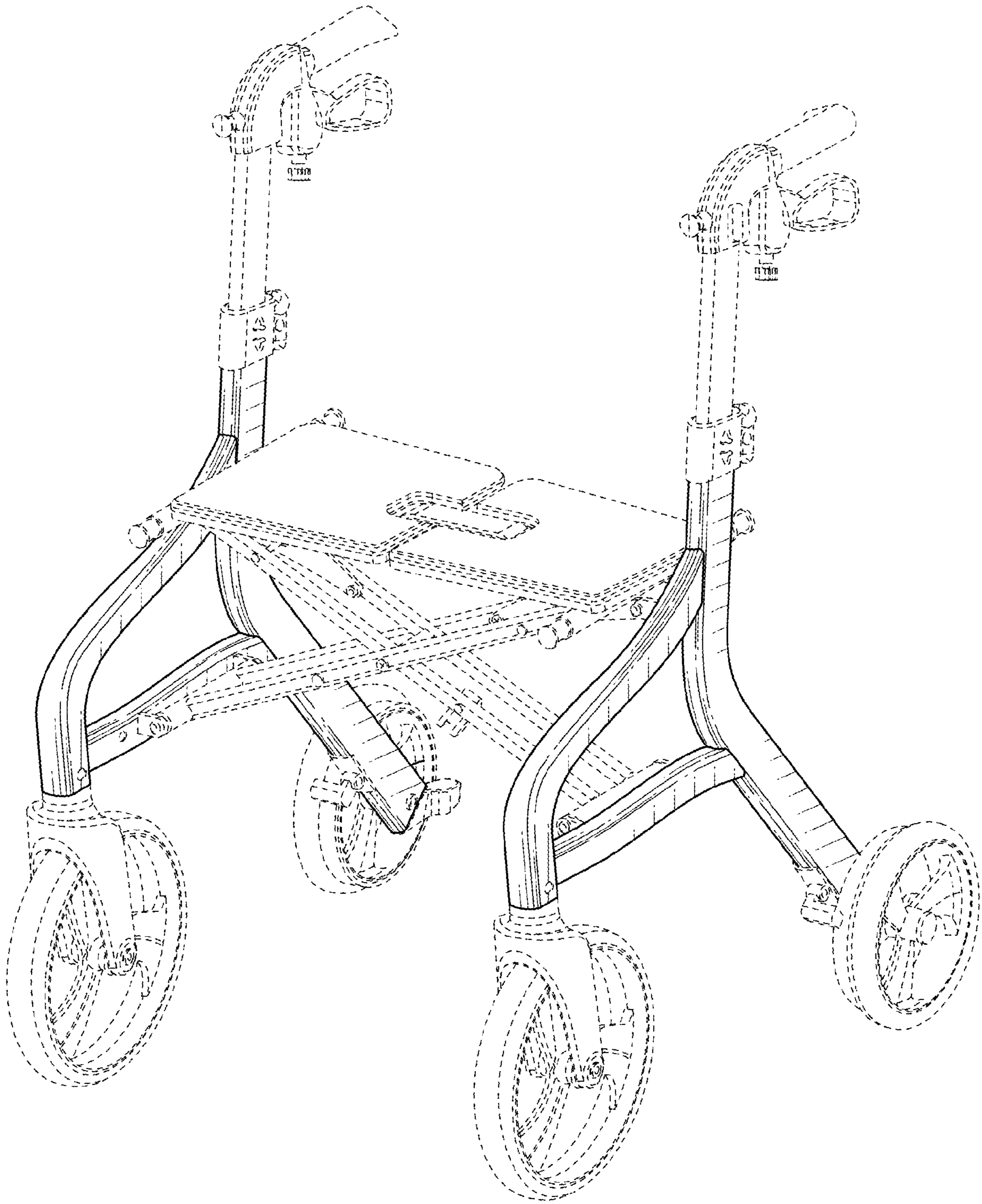


FIG. 1

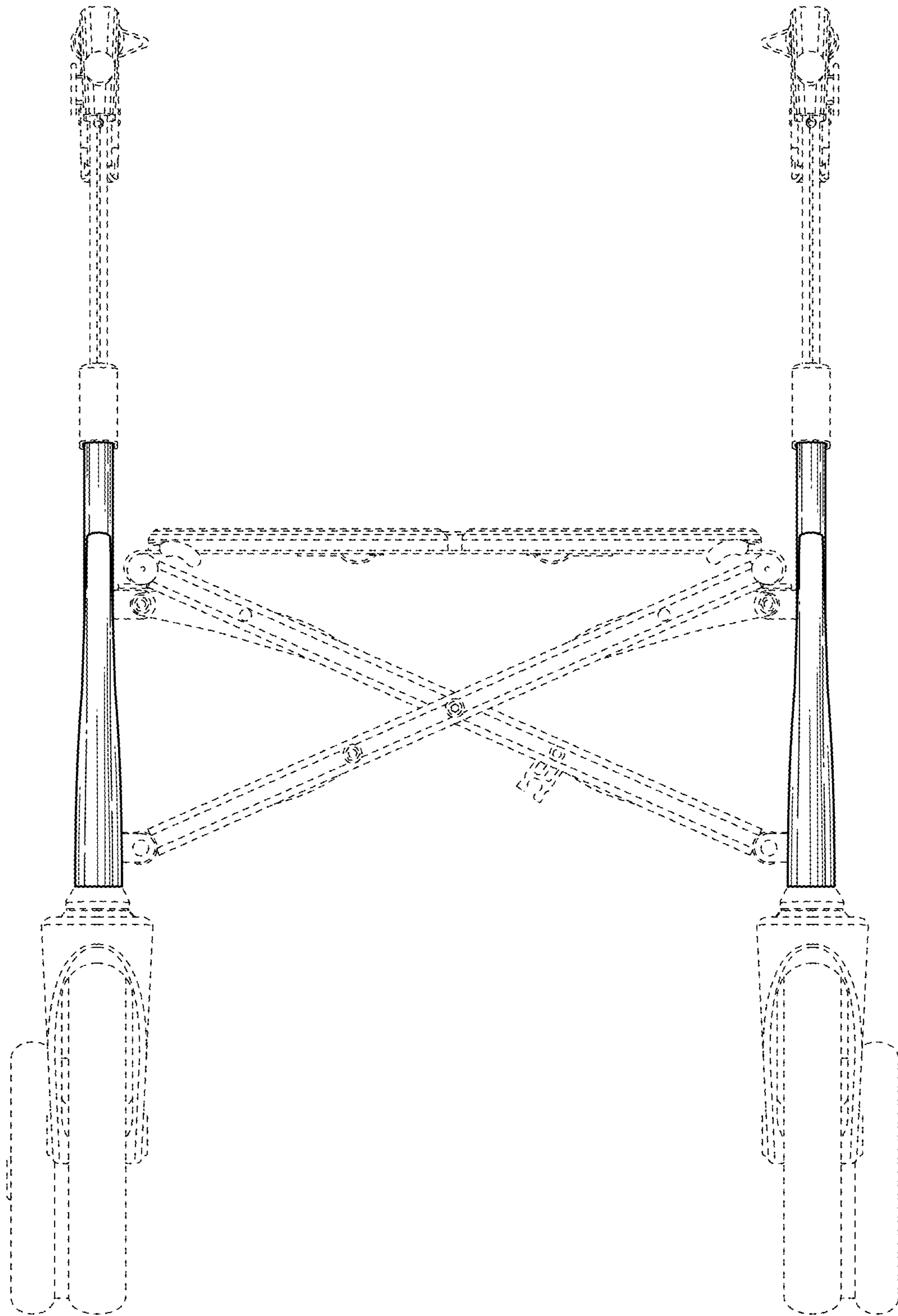


FIG. 2

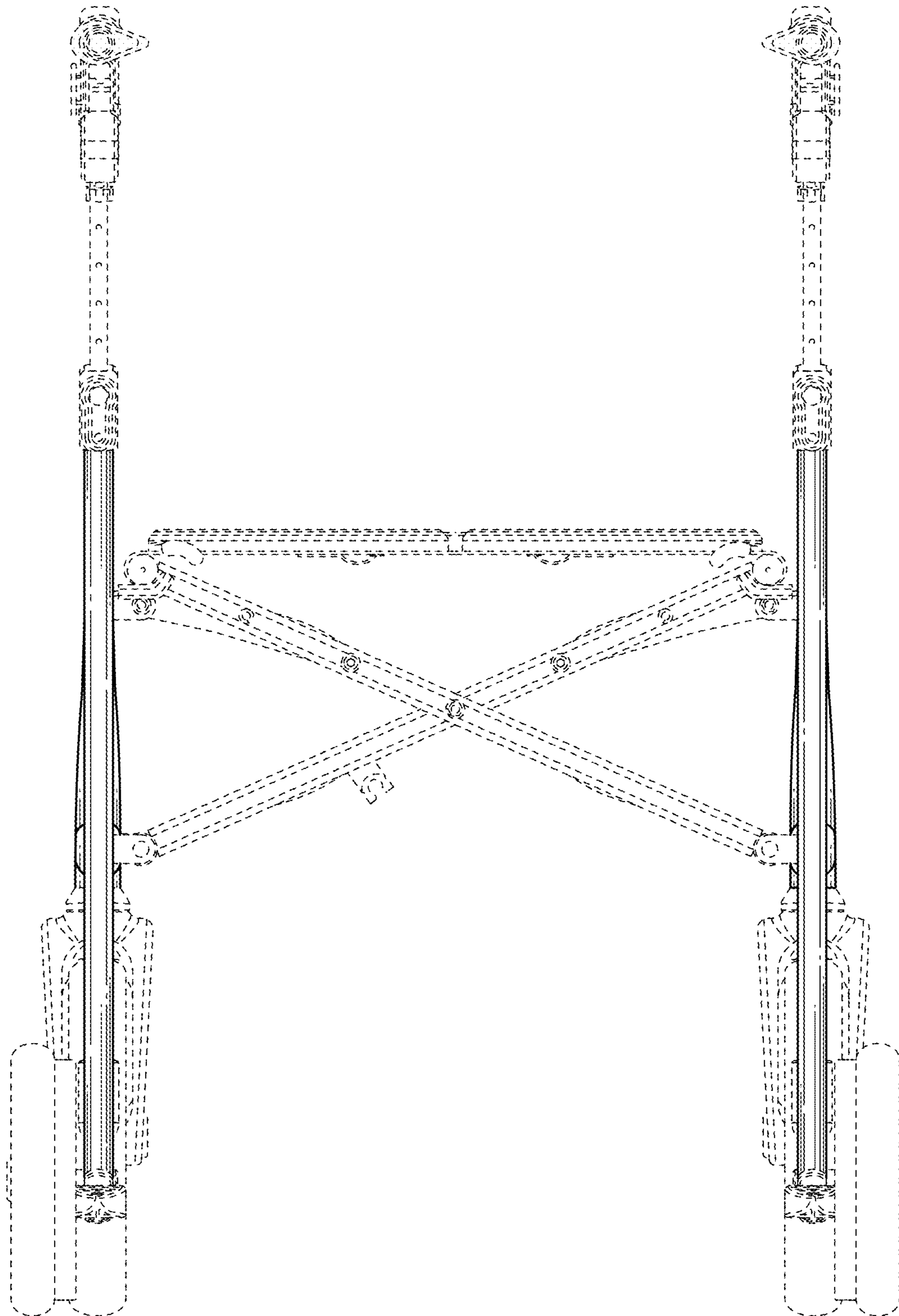


FIG. 3

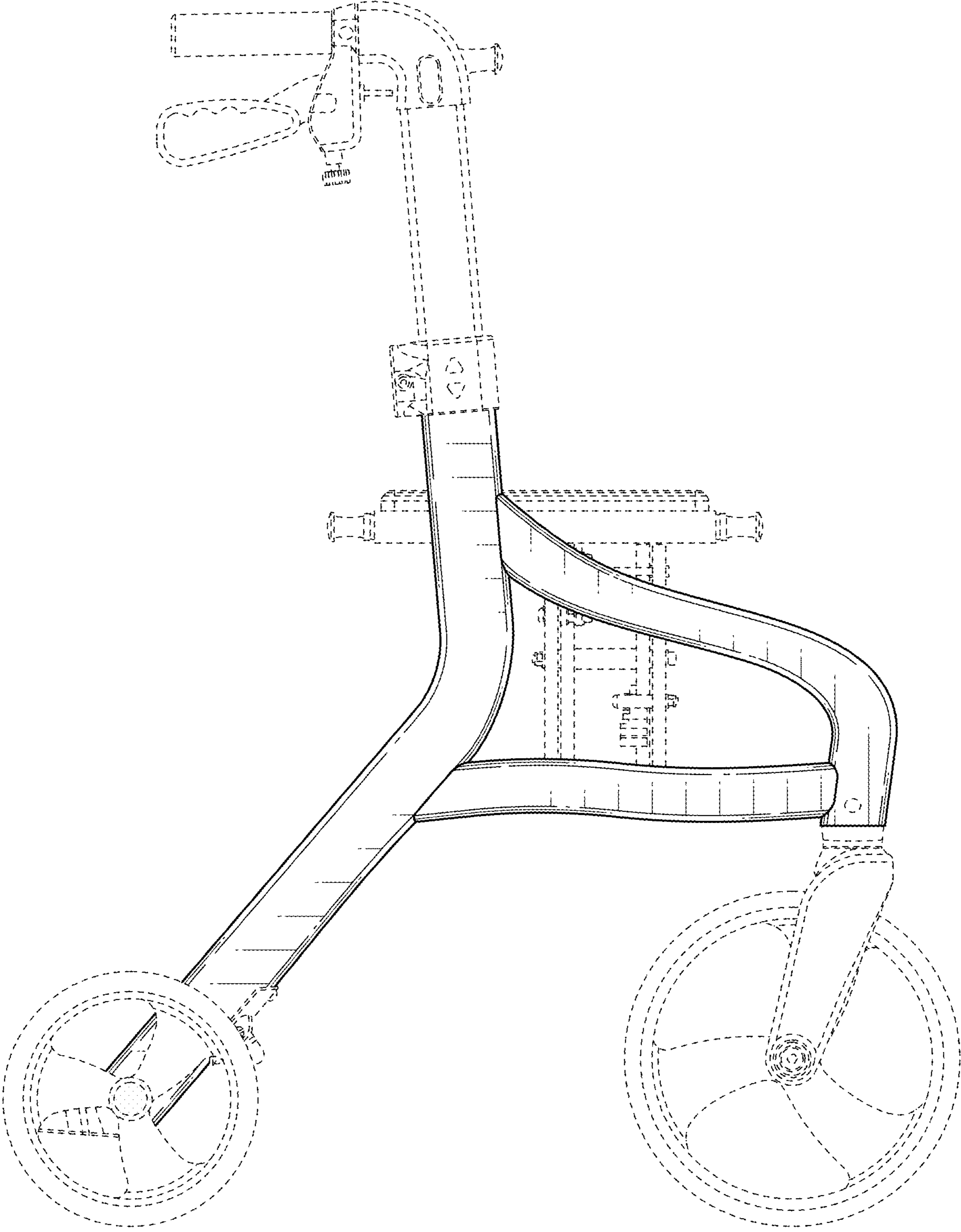


FIG. 4

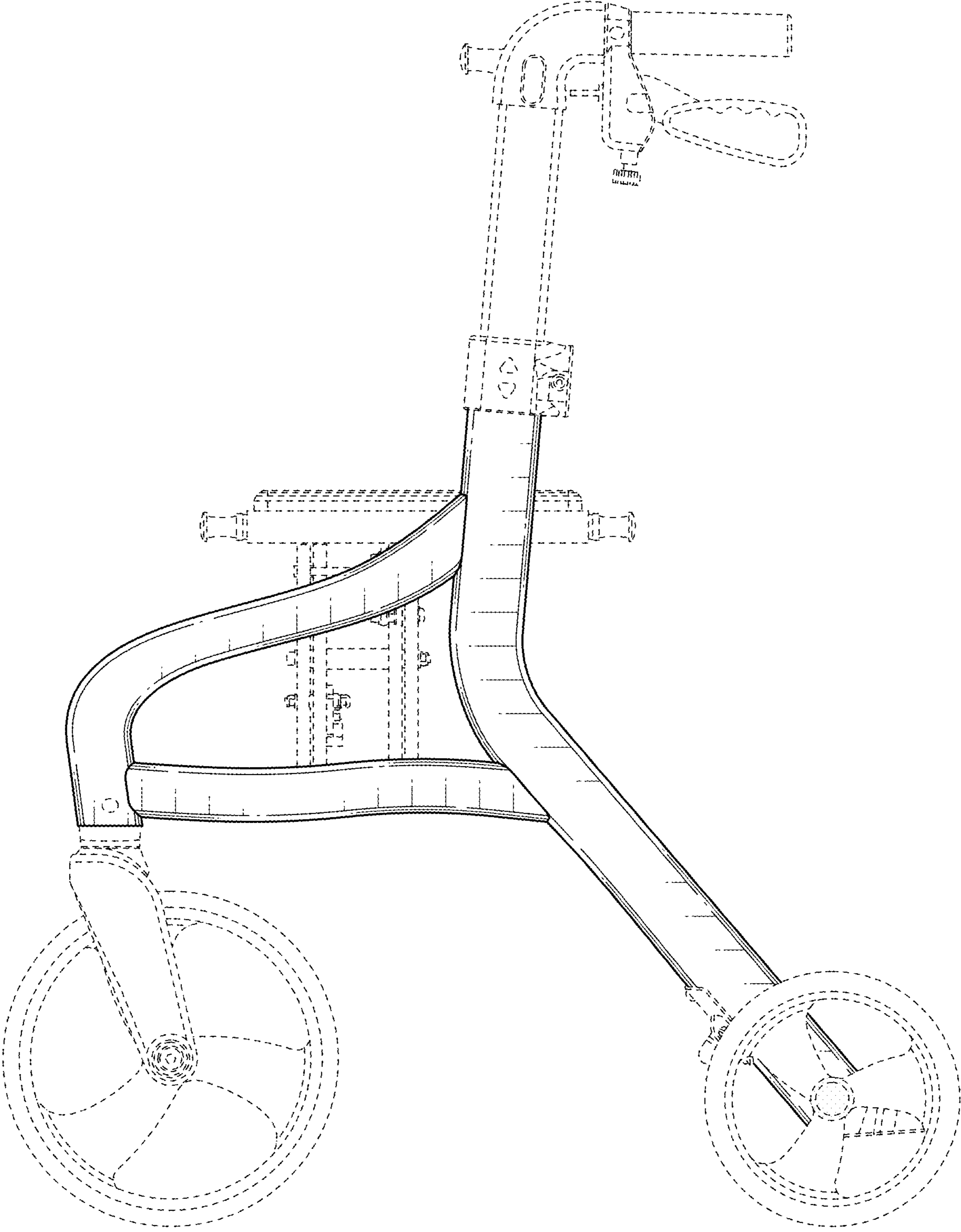


FIG. 5

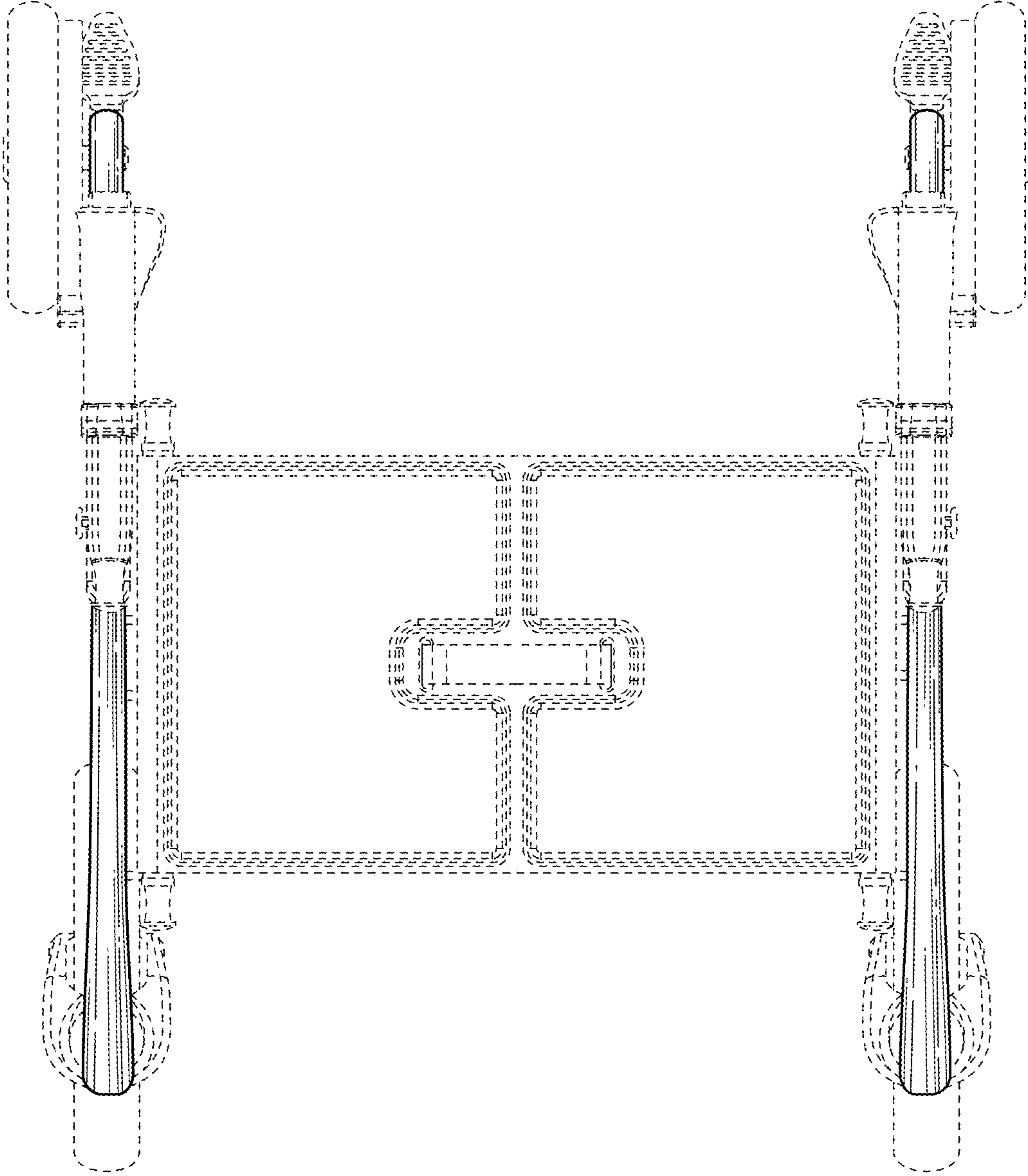


FIG. 6

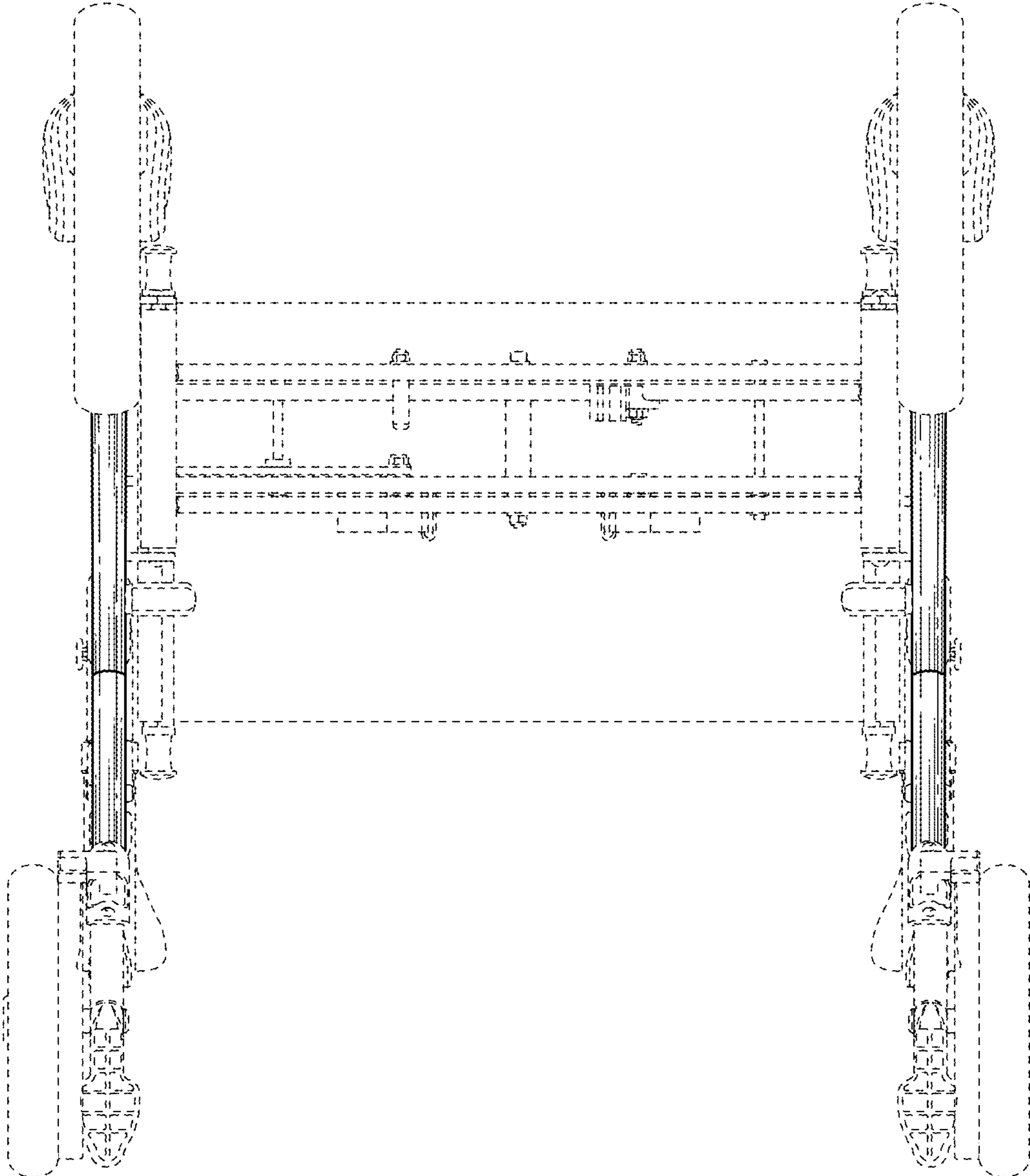


FIG. 7