



US00D976759S

(12) **United States Design Patent** (10) **Patent No.:** **US D976,759 S**  
**Zhang** (45) **Date of Patent:** **\*\* Jan. 31, 2023**

(54) **BICYCLE RACK**  
(71) Applicant: **Wanping Zhang**, Xiamen (CN)  
(72) Inventor: **Wanping Zhang**, Xiamen (CN)  
(\*\*) Term: **15 Years**  
(21) Appl. No.: **29/794,277**  
(22) Filed: **Jun. 11, 2021**  
(51) **LOC (14) Cl.** ..... **08-10**  
(52) **U.S. Cl.**  
USPC ..... **D12/115**  
(58) **Field of Classification Search**  
USPC ..... D12/115, 120, 402, 406, 407, 408, 412,  
D12/414; 211/5, 17-22  
CPC ..... B60R 9/048; B60R 9/045; B60R 9/06;  
B60R 9/10  
See application file for complete search history.

2022] retrieved from the internet<<https://www.amazon.ae/Qualward-Vertical-Bicycle-Adjustable-Upright/dp/B09793X3WK?th=1>> (Year: 2021).\*  
Amazon, Bike Floor Stand indoor Vertical/Horizontal Bicycle Storage Rack Space Saving, published Jun. 16, 2020 [retrieved on Sep. 14, 2022] retrieved from the internet<[https://www.amazon.ae/Bike-Floor-Stand-Vertical-Horizontal/dp/B08B8QYM5H/ref=pd\\_Ipo\\_5?pd\\_rd\\_i=B08B8QYM5H&psc=1](https://www.amazon.ae/Bike-Floor-Stand-Vertical-Horizontal/dp/B08B8QYM5H/ref=pd_Ipo_5?pd_rd_i=B08B8QYM5H&psc=1)> (Year: 2020).\*

\* cited by examiner

*Primary Examiner* — Joseph Kukella  
*Assistant Examiner* — Lavon M. Amerson

(57) **CLAIM**

The ornamental design for a bicycle rack, as shown and described.

(56) **References Cited**

**DESCRIPTION**

U.S. PATENT DOCUMENTS

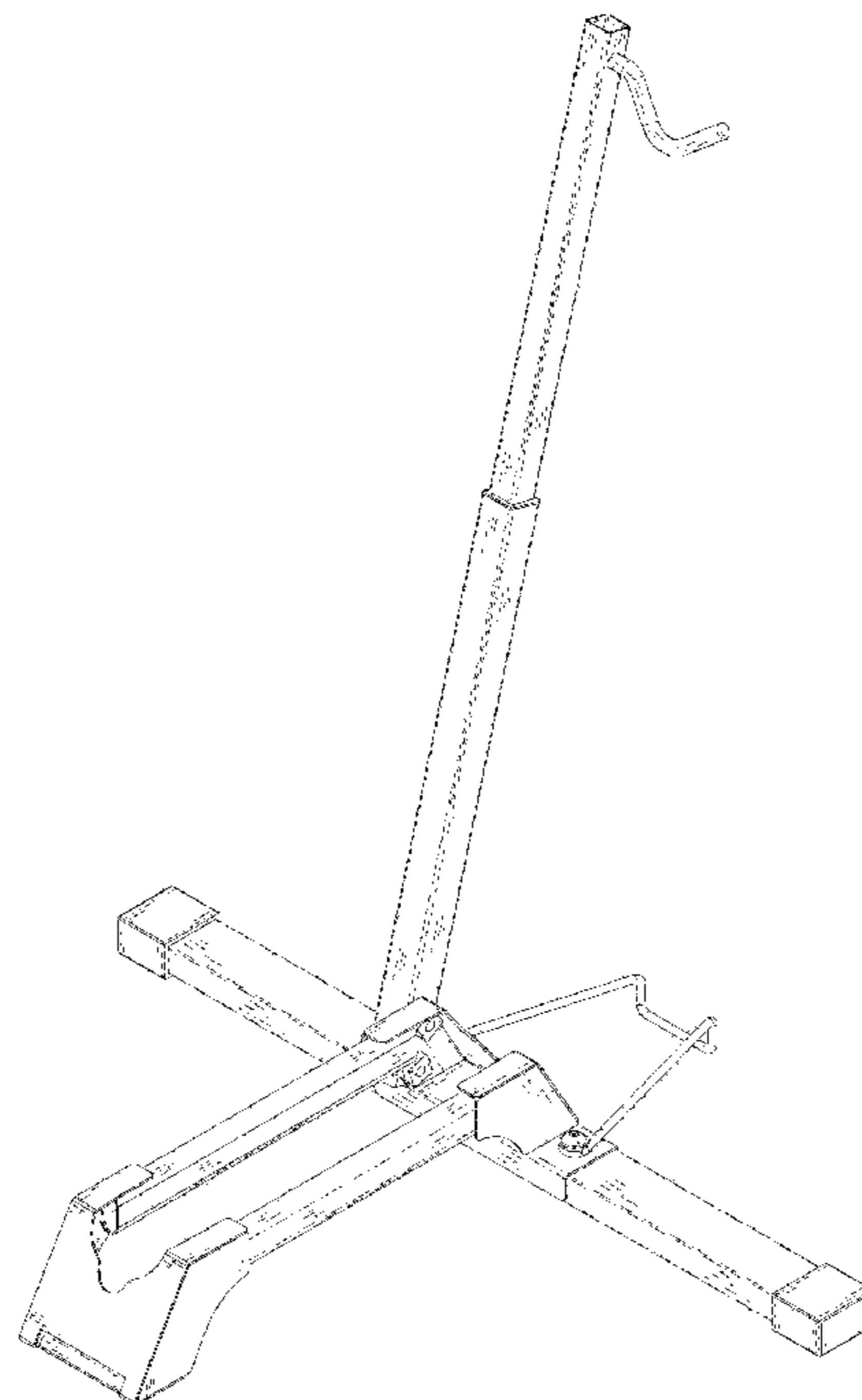
556,789	A *	3/1896	Walker	.....	B62H 3/08
					211/20
D288,995	S *	3/1987	Cooper	.....	D21/664
5,385,246	A *	1/1995	Grossnickle	.....	B62H 3/00
					482/61
D372,691	S *	8/1996	Eason	.....	B62H 3/00
					D12/115
5,544,763	A *	8/1996	McClain	.....	B25H 1/0014
					248/176.1
D585,793	S *	2/2009	Skalka	.....	B62H 3/08
					D12/115
D825,396	S *	8/2018	van Straaten	.....	D12/115
2011/0220594	A1 *	9/2011	Chuang	.....	B62H 3/00
					211/22

FIG. 1 is a front perspective view of a bicycle rack design. FIG. 2 is a right view of a bicycle rack of FIG. 1. FIG. 3 is a left view of a bicycle rack of FIG. 1. FIG. 4 is a rear side view of a bicycle rack of FIG. 1. FIG. 5 is a front side view of a bicycle rack of FIG. 1. FIG. 6 is a top view of a bicycle rack of FIG. 1. FIG. 7 is a bottom view of a bicycle rack of FIG. 1. FIG. 8 is a perspective view of a segmented bicycle rack of FIG. 1. FIG. 9 is a rear perspective view of a bicycle rack of FIG. 1; and, FIG. 10 is another perspective view of a bicycle rack of FIG. 1. Any shading is not features of the design but are utilized to illustrate the surface contours of the bicycle rack design in the drawings.

OTHER PUBLICATIONS

Amazon, Qualward Vertical Bike Stand Floor Bicycle Rack Adjustable Upright Design, published Jul. 16, 2021[retrieved on Sep. 14,

**1 Claim, 10 Drawing Sheets**



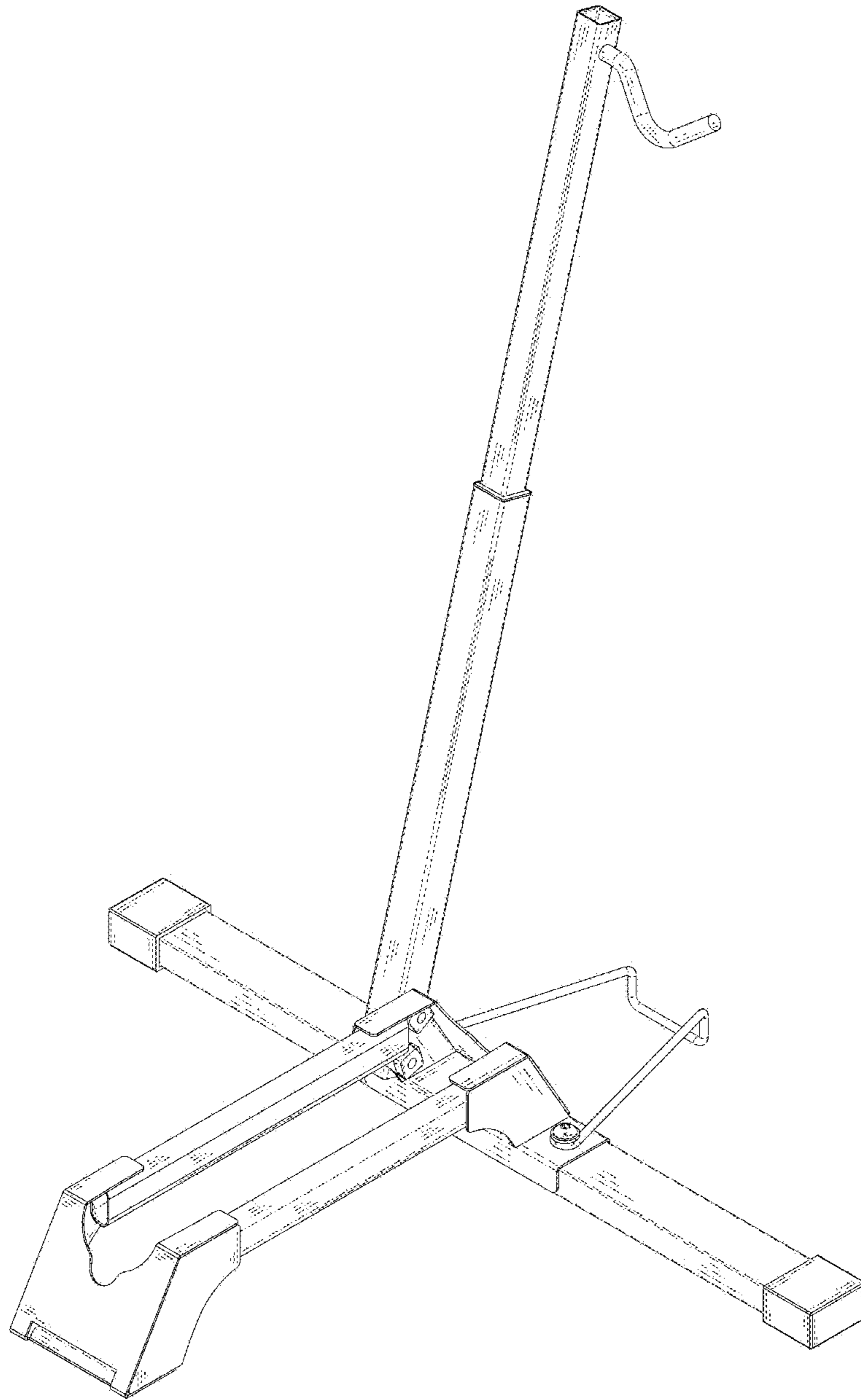


FIG. 1

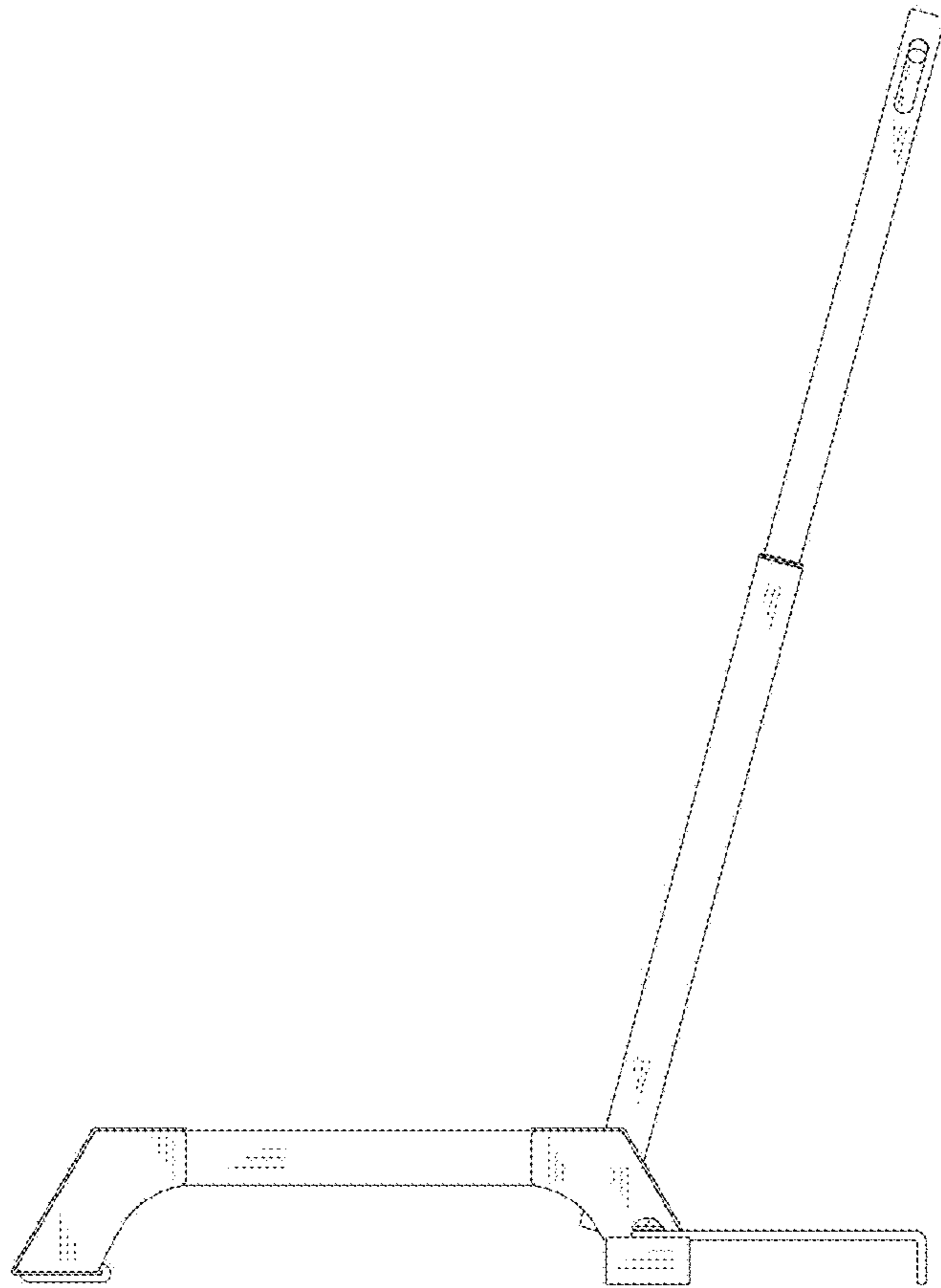


FIG. 2

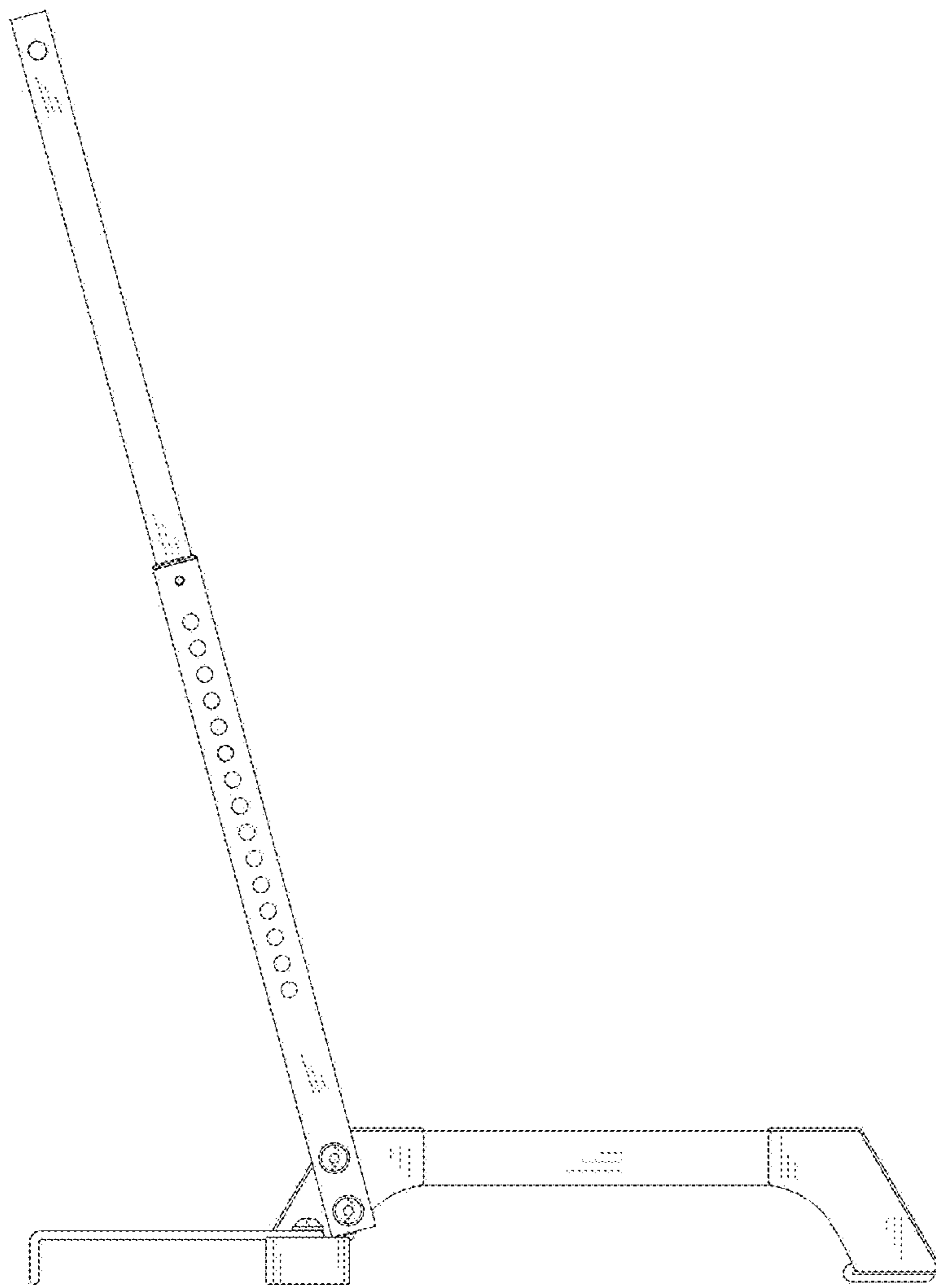


FIG. 3

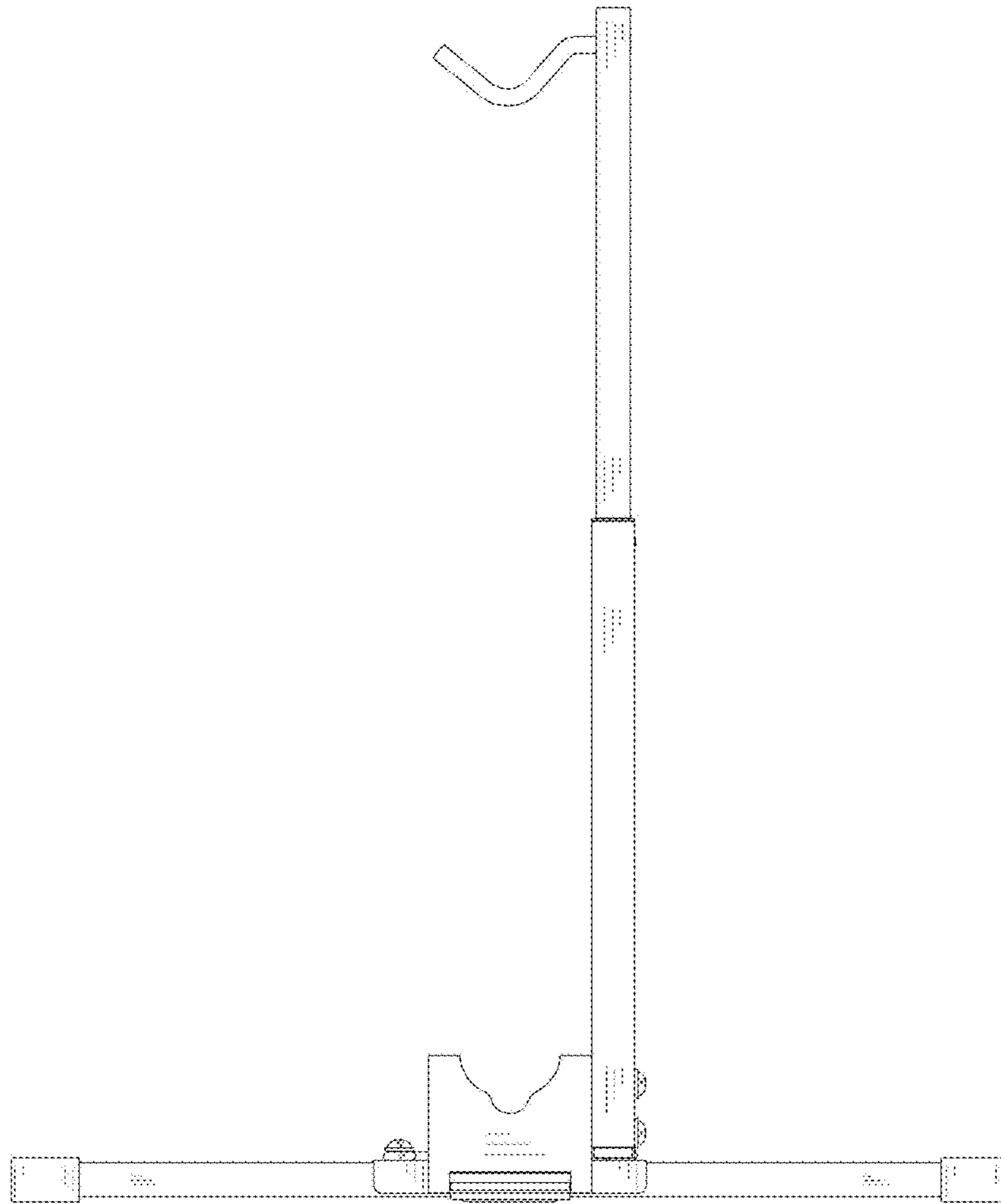


FIG. 4

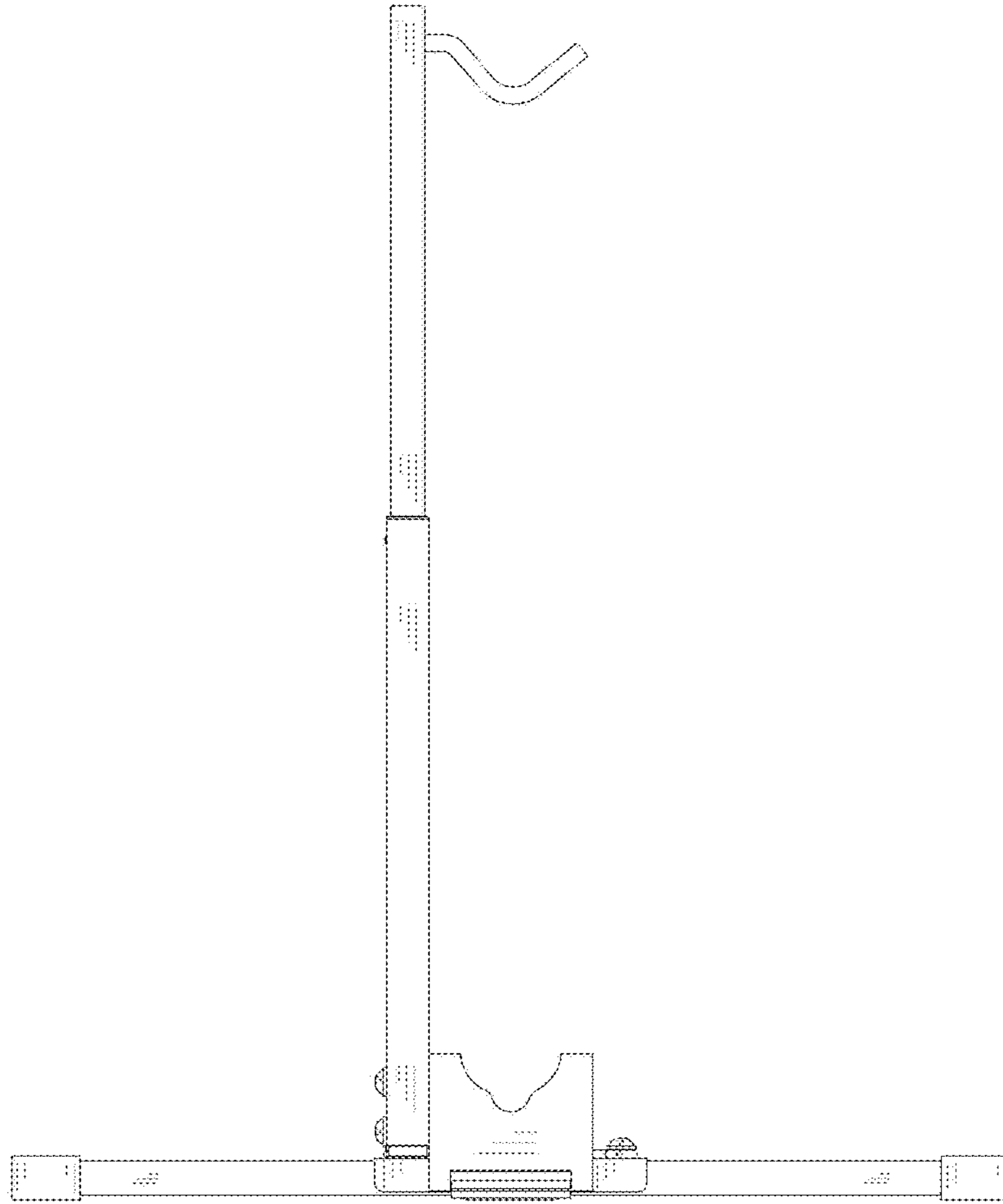


FIG. 5

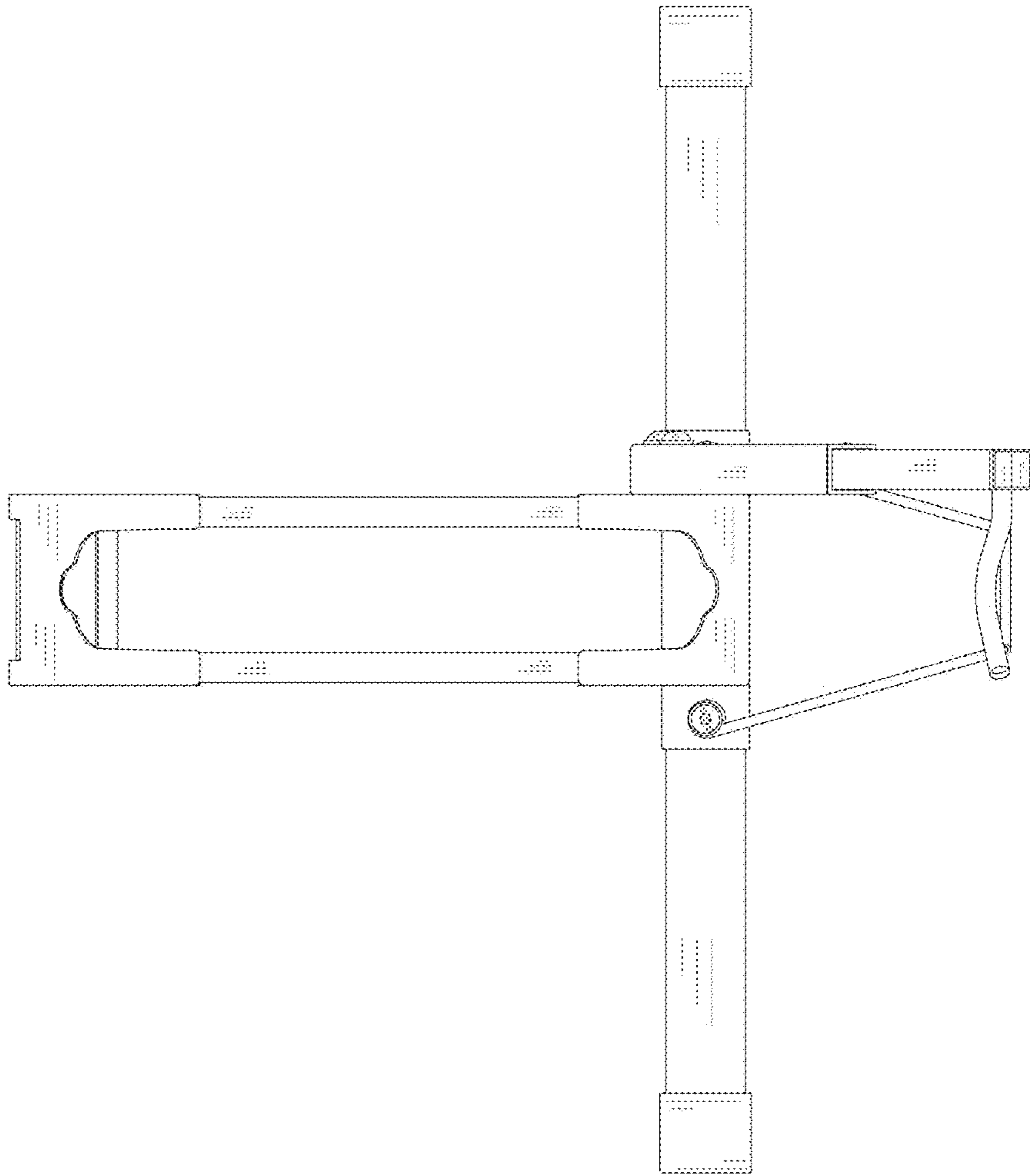


FIG. 6

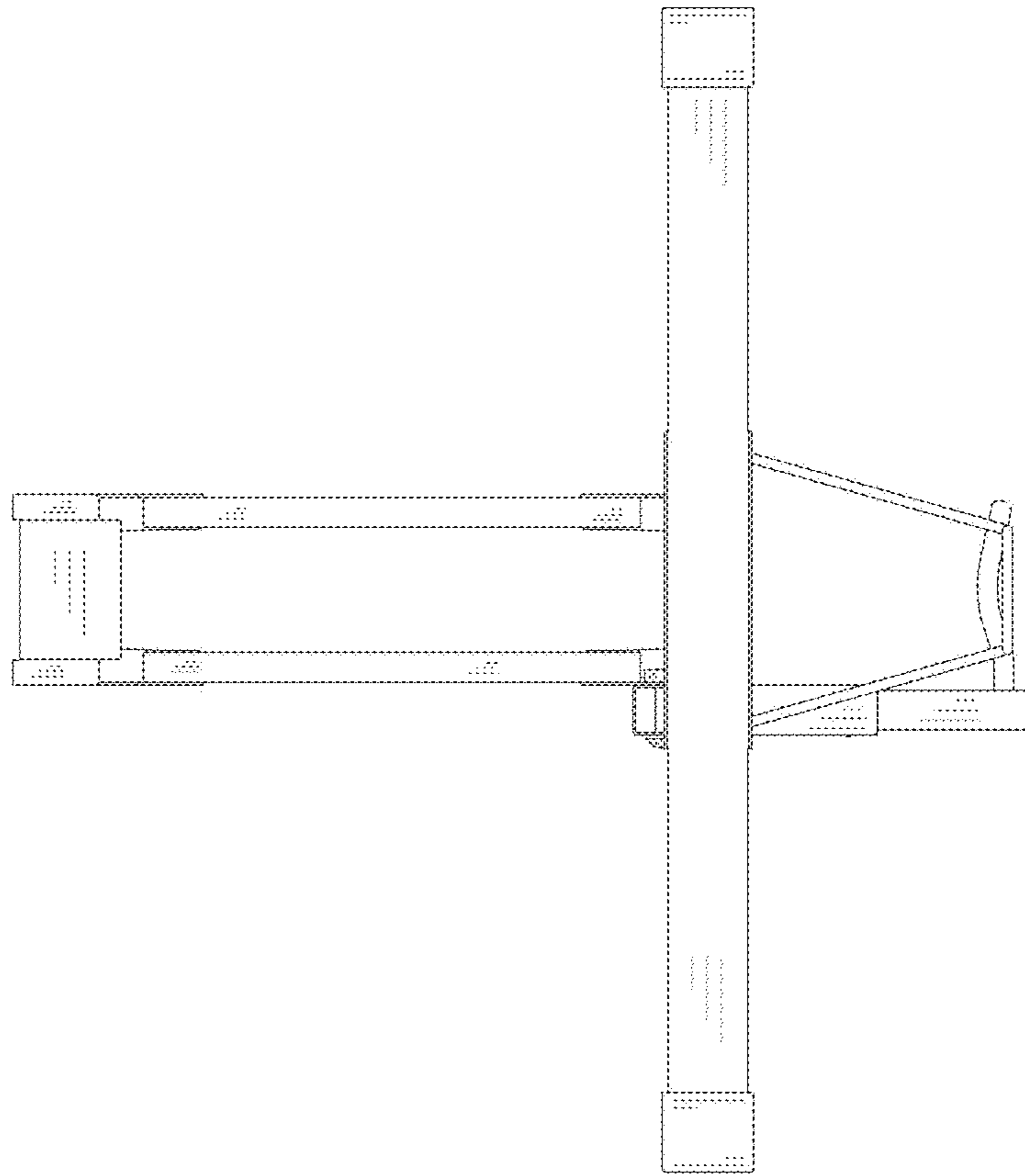


FIG. 7



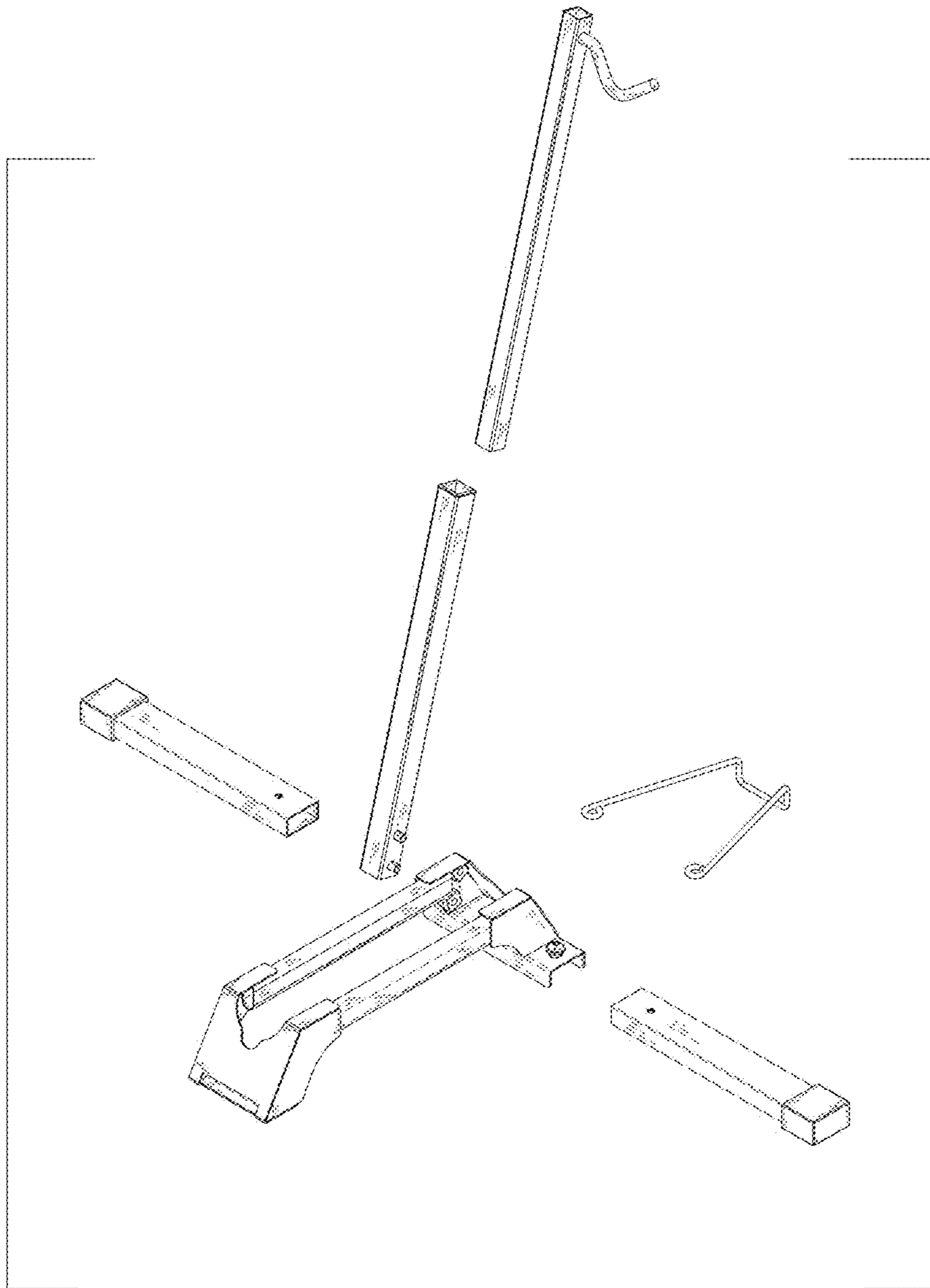


FIG. 8

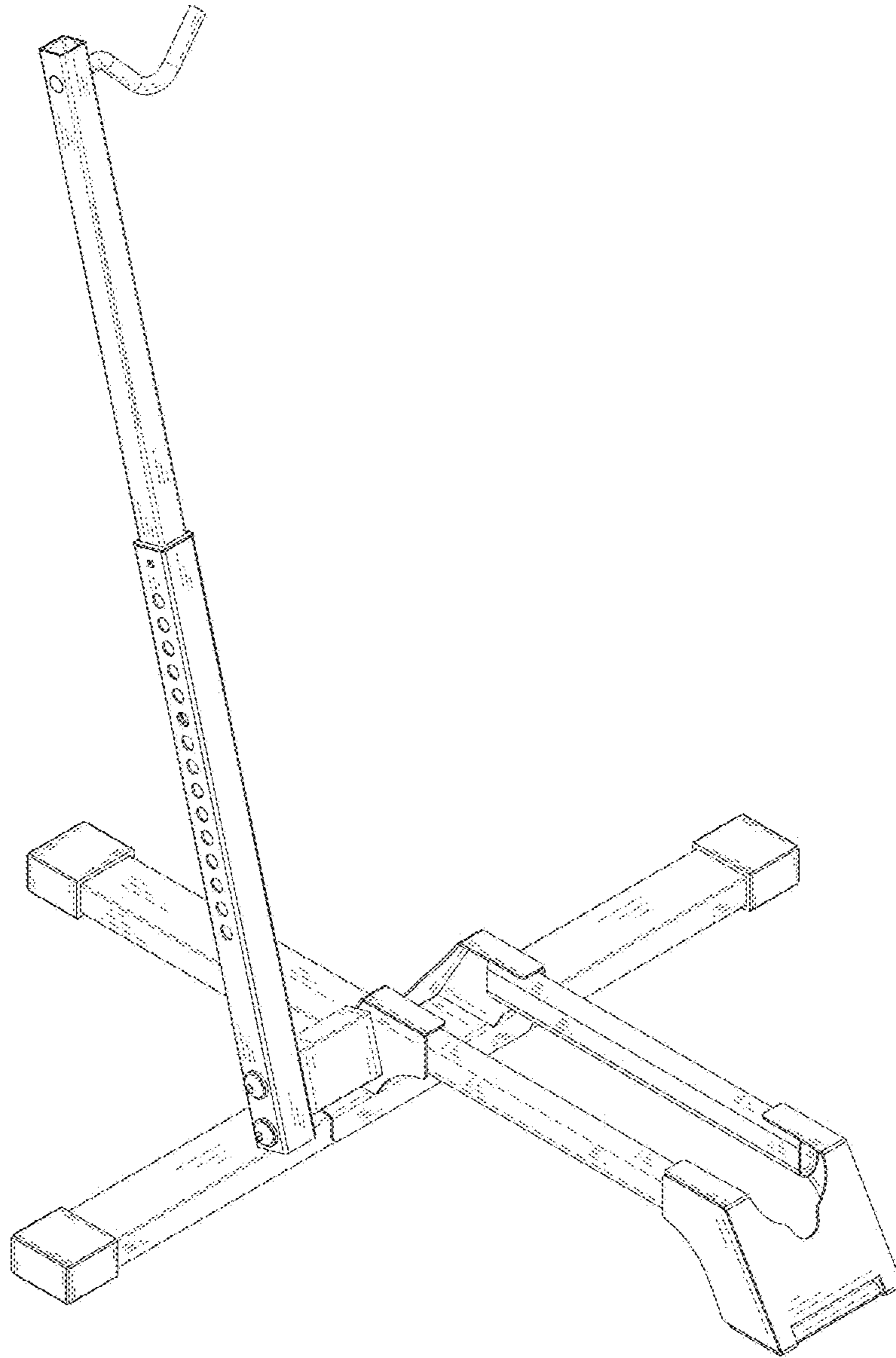


FIG. 9

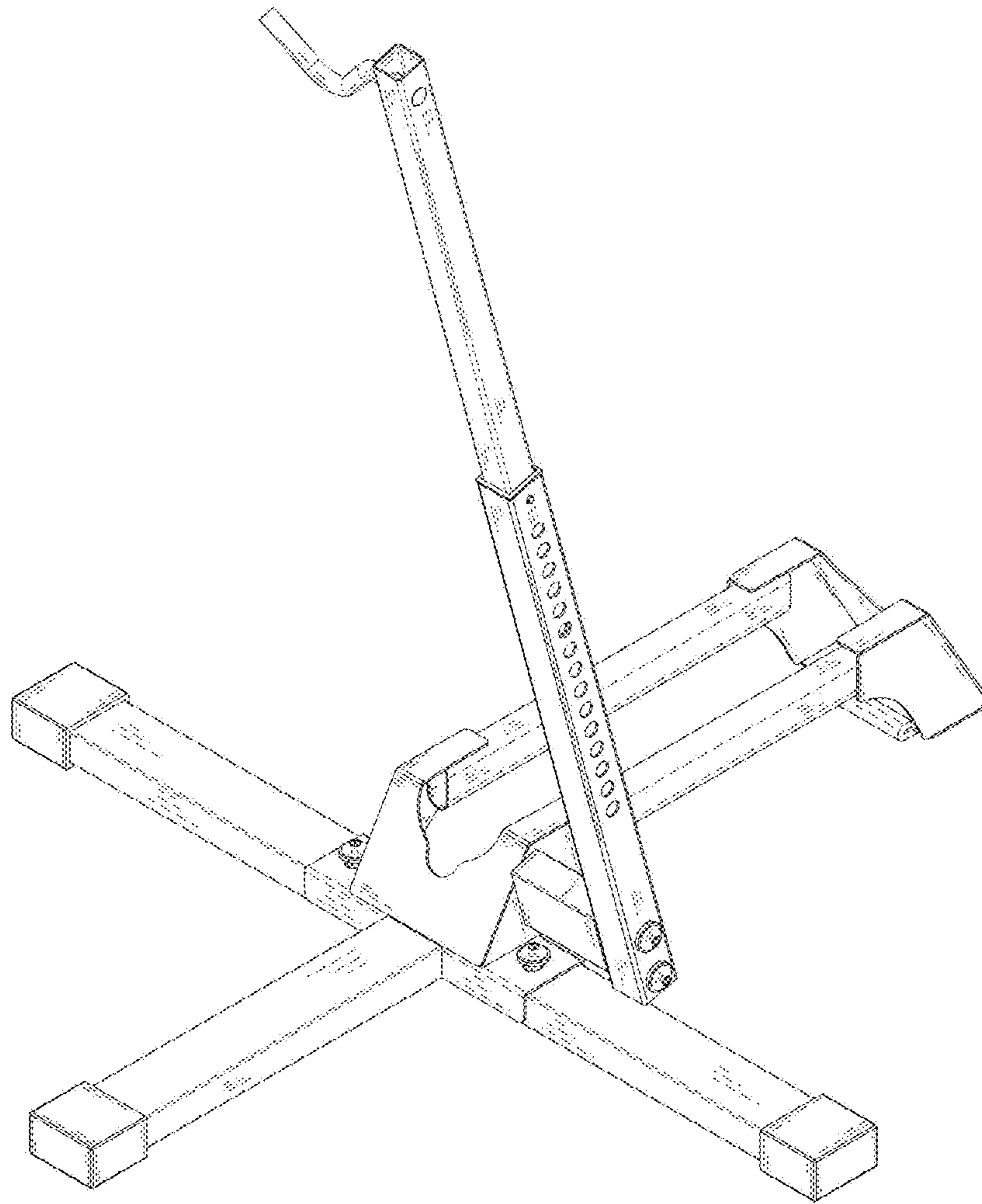


FIG. 10