



US00D976757S

(12) **United States Design Patent**
Gao et al.

(10) **Patent No.:** **US D976,757 S**
(45) **Date of Patent:** **** Jan. 31, 2023**

(54) **ELECTRIC MOTORCYCLE**

(71) Applicant: **Ninebot (Beijing) Tech Co., Ltd.**,
Beijing (CN)

(72) Inventors: **Lufeng Gao**, Beijing (CN); **Ye Wang**,
Beijing (CN); **Lei Liu**, Beijing (CN)

(**) Term: **15 Years**

(21) Appl. No.: **35/511,882**

(22) Filed: **Nov. 17, 2020**

(80) **Hague Agreement Data**

Int. Filing Date: **Nov. 17, 2020**

Int. Reg. No.: **DM/211778**

Int. Reg. Date: **Nov. 17, 2020**

Int. Reg. Pub. Date: **May 21, 2021**

(30) **Foreign Application Priority Data**

May 22, 2020 (CN) 202030242874.4

(51) **LOC (14) Cl.** **12-11**

(52) **U.S. Cl.**
USPC **D12/110**

(58) **Field of Classification Search**

USPC D12/110, 111, 117; D21/432, 538
CPC B62K 11/00; B62K 11/02; B62K 11/04;
B62K 11/10; B62K 17/00; B62K 19/00;
B62K 2202/00

See application file for complete search history.

(56) **References Cited**

U.S. PATENT DOCUMENTS

D606,906 S * 12/2009 Chosa D12/110
D611,881 S * 3/2010 Toriyama D12/110
D643,341 S * 8/2011 Uchiyama D12/110
D647,825 S * 11/2011 Shibuta D12/110
D670,204 S * 11/2012 Yasuhara D12/110
D686,538 S * 7/2013 Nagao D12/110
D688,982 S * 9/2013 Oyanagi D12/110
D689,406 S * 9/2013 Yasuhara D12/110

D755,084 S * 5/2016 Sakata D12/110
D755,680 S * 5/2016 Yasuhara D12/110
D755,681 S * 5/2016 Martin D12/110
D755,682 S * 5/2016 Hahn-Woernle D12/110
D756,268 S * 5/2016 Yamada D12/110
D758,923 S * 6/2016 Yamada D12/110

(Continued)

OTHER PUBLICATIONS

“2022 Yamaha Tracer G GT.” Yamaha., Nov. 21, 2021 [online],
[retrieved on Apr. 5, 2022]. Retrieved from the Internet < URL:
https://cdn2.yamaha-motor.eu/prod/product-assets/2021/MT09TRGT/Factsheets/2021-MT09TRGT_en.pdf>.*

(Continued)

Primary Examiner — Darlington Ly

(57) **CLAIM**

The ornamental design for an electric motorcycle, as shown
and described.

DESCRIPTION

2, 4. Electric motorcycle.

2.1 is a front elevation view of an electric motorcycle
embodying our new design in accordance with a first
embodiment;

2.2 is a rear elevation view thereof;

2.3 is a right side elevation view thereof;

2.4 is a left side elevation view thereof;

2.5 is a top plan view thereof;

2.6 is a bottom plan view thereof; and

2.7 is a front and right side perspective view thereof.

4.1 is a front elevation view of an electric motorcycle
embodying our new design in accordance with a second
embodiment;

4.2 is a rear elevation view thereof;

4.3 is a right side elevation view thereof;

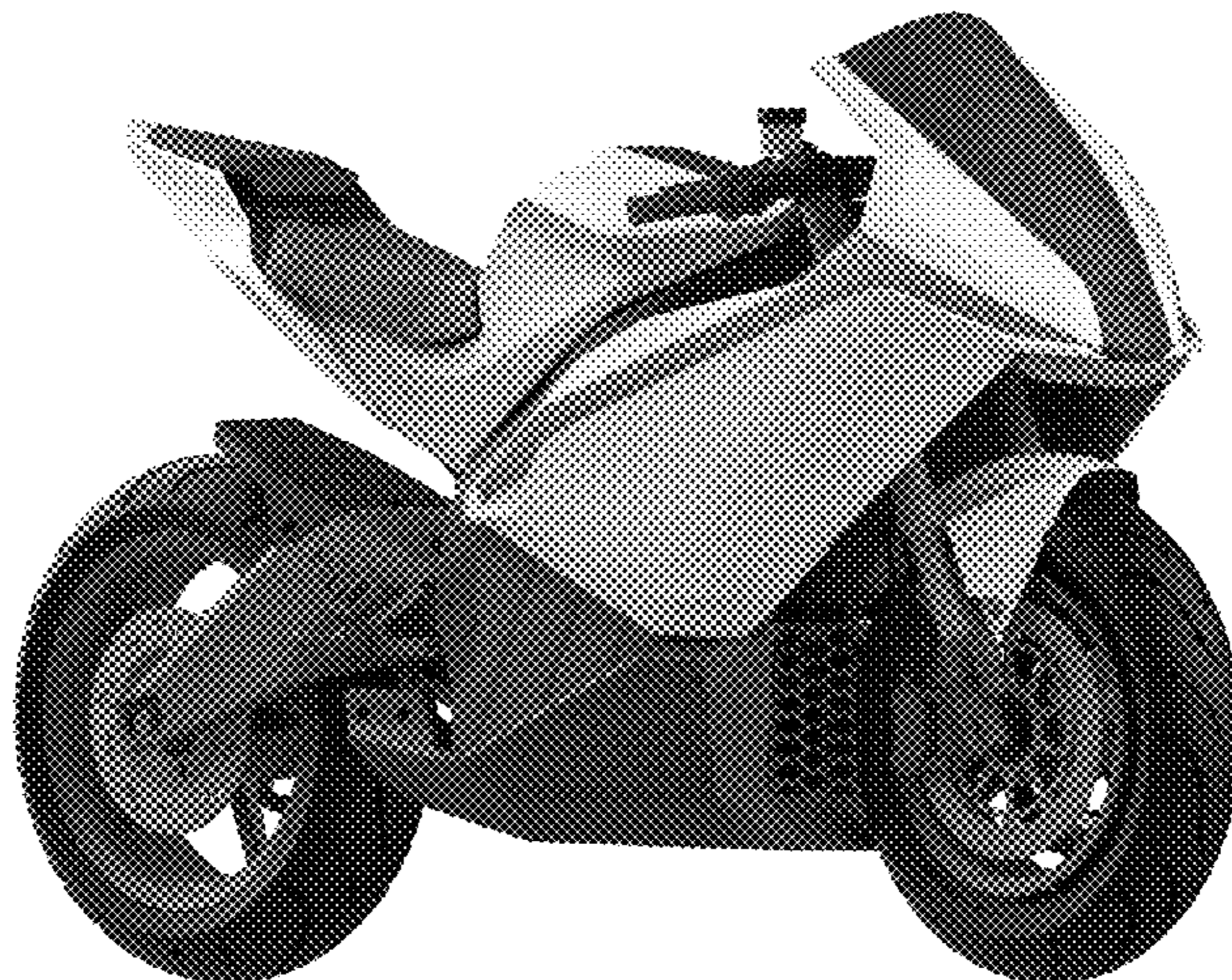
4.4 is a left side elevation view thereof;

4.5 is a top plan view thereof;

4.6 is a bottom plan view thereof; and

4.7 is a front and right side perspective view thereof.

1 Claim, 14 Drawing Sheets



(56)

References Cited

U.S. PATENT DOCUMENTS

D758,924	S	*	6/2016	Tamura	D12/110
D782,368	S	*	3/2017	Fujimoto	D12/110
D795,746	S	*	8/2017	Akita	D12/110
D797,002	S	*	9/2017	Toyama	D12/110
D797,608	S	*	9/2017	Tachibana	D12/110
D801,230	S	*	10/2017	Endo	D12/110
D807,231	S	*	1/2018	Petersson	D12/110
D815,566	S	*	4/2018	Oyanagi	D12/110
D817,230	S	*	5/2018	Tamura	D12/110
D821,269	S	*	6/2018	Sasanami	D12/110
D847,031	S	*	4/2019	Kobayashi	D12/110
D849,602	S	*	5/2019	Oyanagi	D12/110
D871,976	S	*	1/2020	Martin	D12/110
D874,985	S	*	2/2020	Shigihara	D12/110
D875,615	S	*	2/2020	Martin	D12/110
D875,616	S	*	2/2020	Martin	D12/110
D875,617	S	*	2/2020	Nagase	D12/110
D876,990	S	*	3/2020	Yoshitomi	D12/110
D884,562	S	*	5/2020	Usami	D12/110
D902,083	S	*	11/2020	Arru	D12/110
D911,223	S	*	2/2021	Kinoshita	D12/110

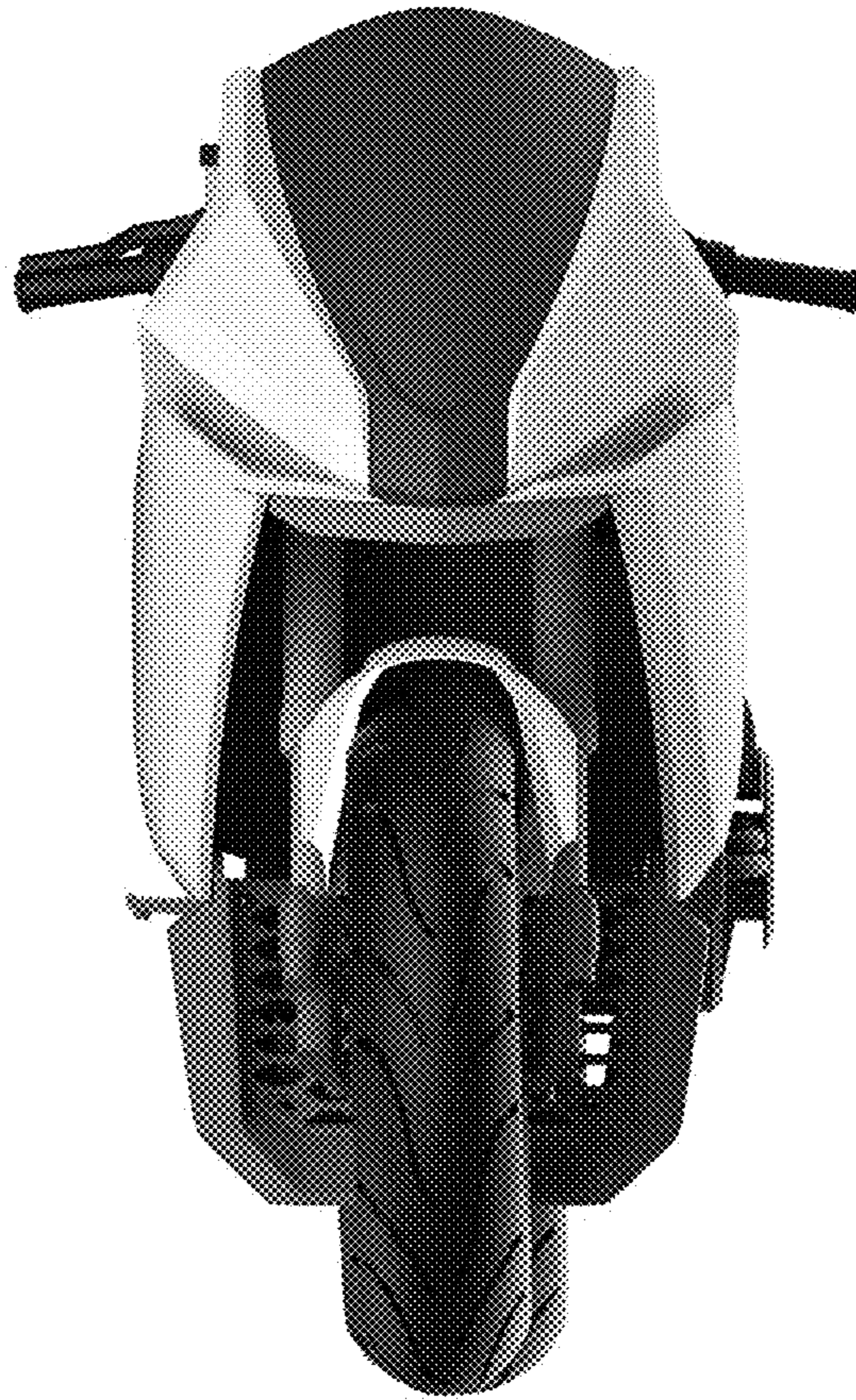
OTHER PUBLICATIONS

Jensen Beeler. "The 2021 Kawasaki Ninja ZX-10RR—\$29,000 & Only 500 Will Be Made." Asphalt & Rubber., Nov. 23, 2020 [online], [retrieved on Apr. 5, 2022]. Retrieved from the Internet <URL: <https://www.asphaltandrubber.com/bikes/2021-kawasaki-ninja-zx-10rr/>>.*

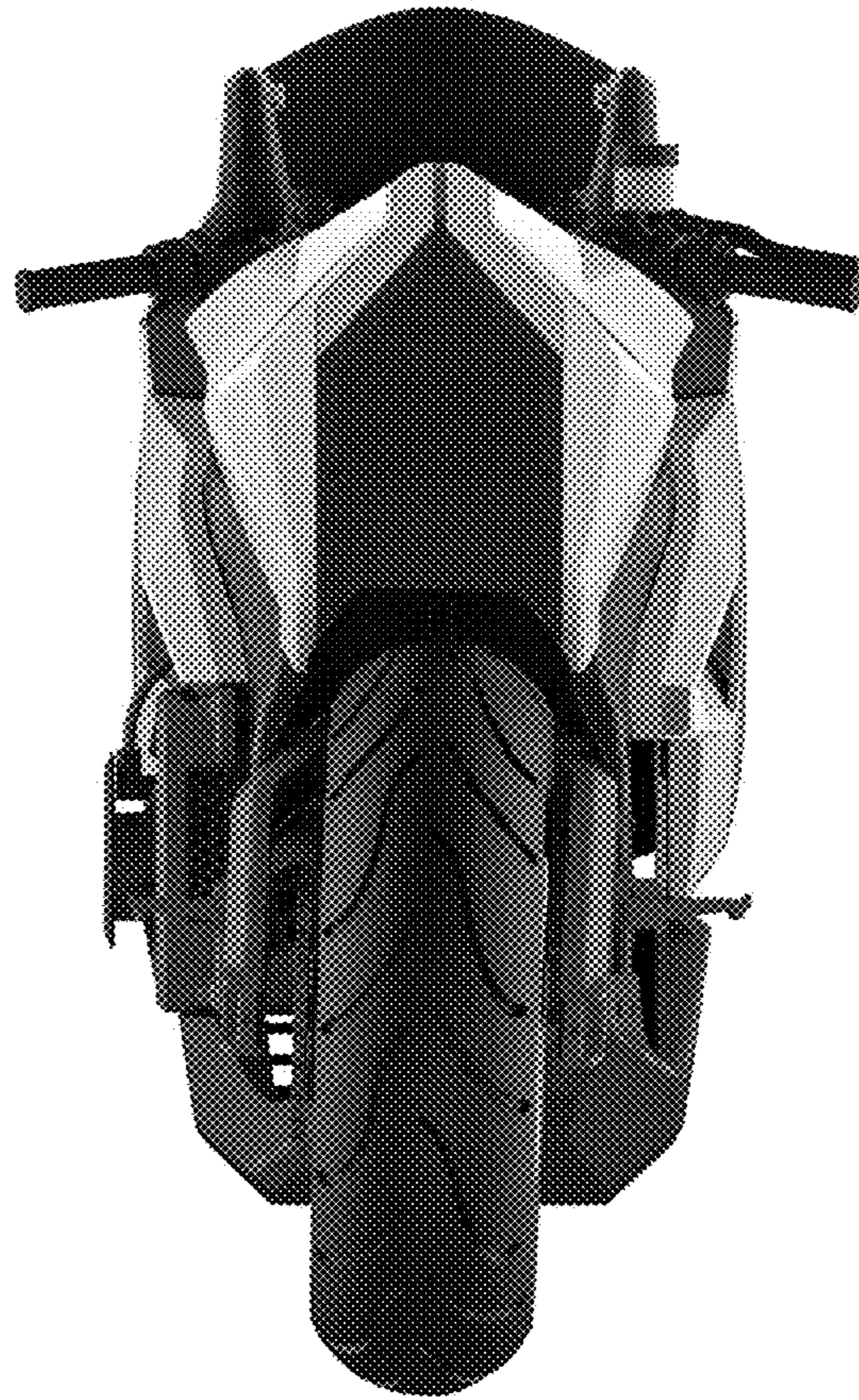
Greg Drevenstedt. "2021 Yamaha Tracer 9 GT | Road Test Review." Rider Motorcycling at its best., Jan. 5, 2022 [online], [retrieved on Apr. 5, 2022], Retrieved from the Internet <URL: <https://ridermagazine.com/2022/01/05/2021-yamaha-tracer-9-gt-road-test-review/>>.*

* cited by examiner

2.1



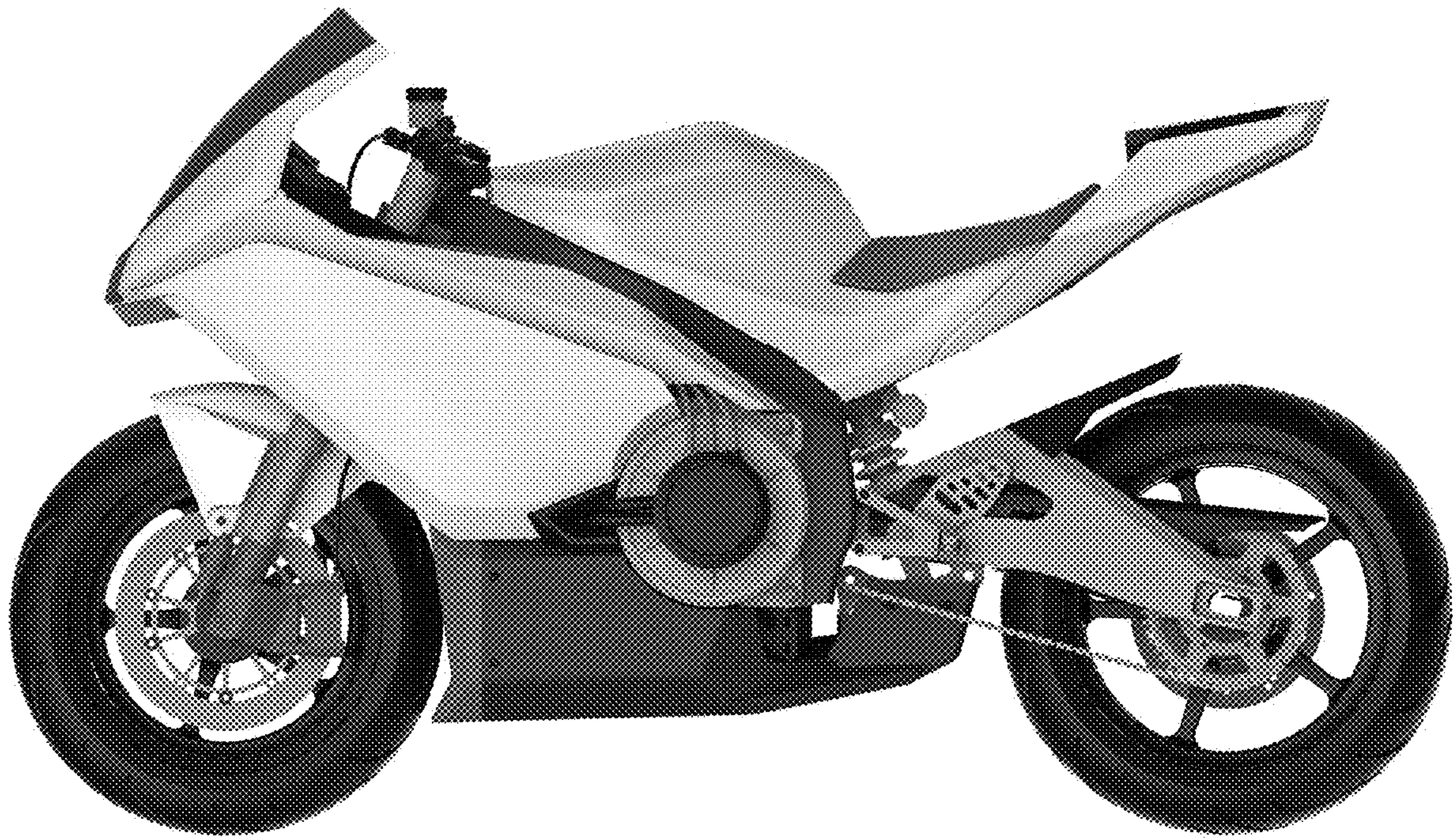
2.2



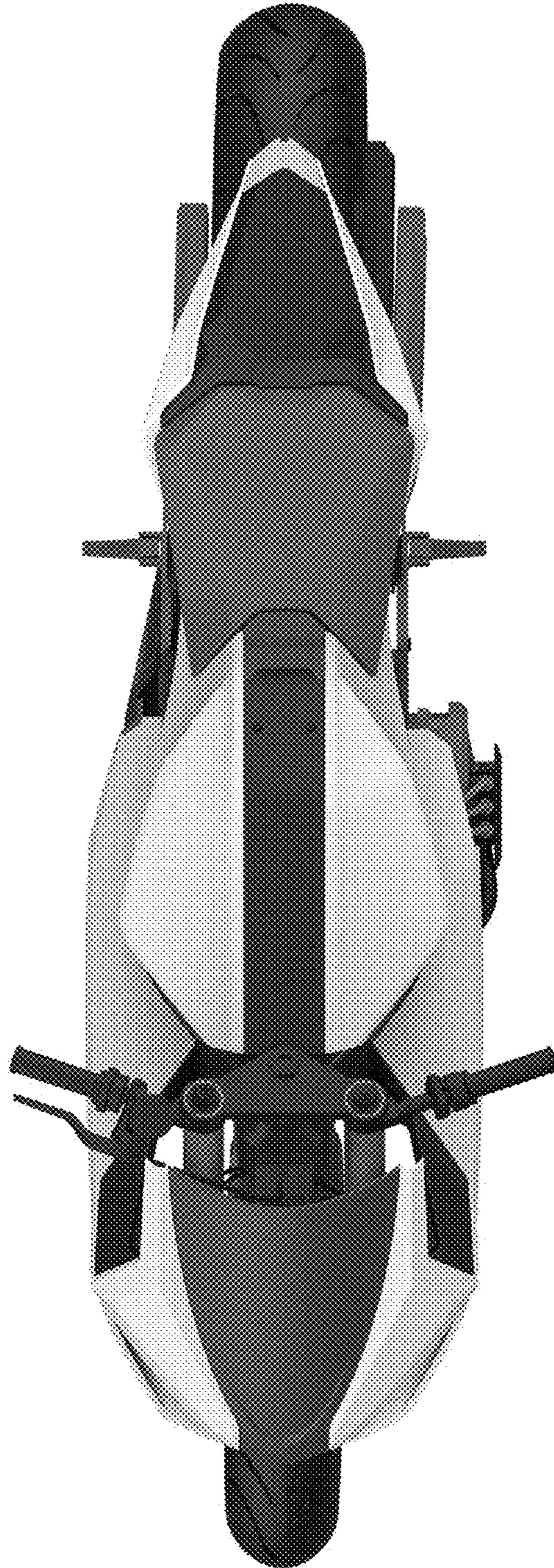
2.3



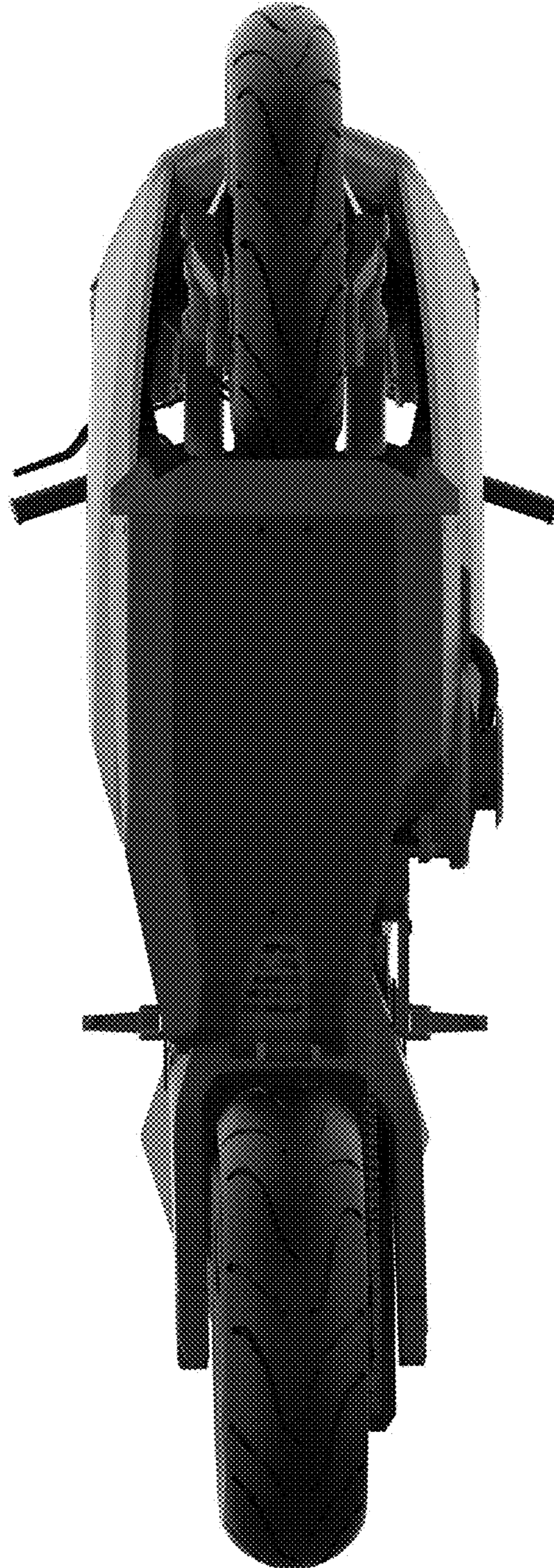
2.4



2.5



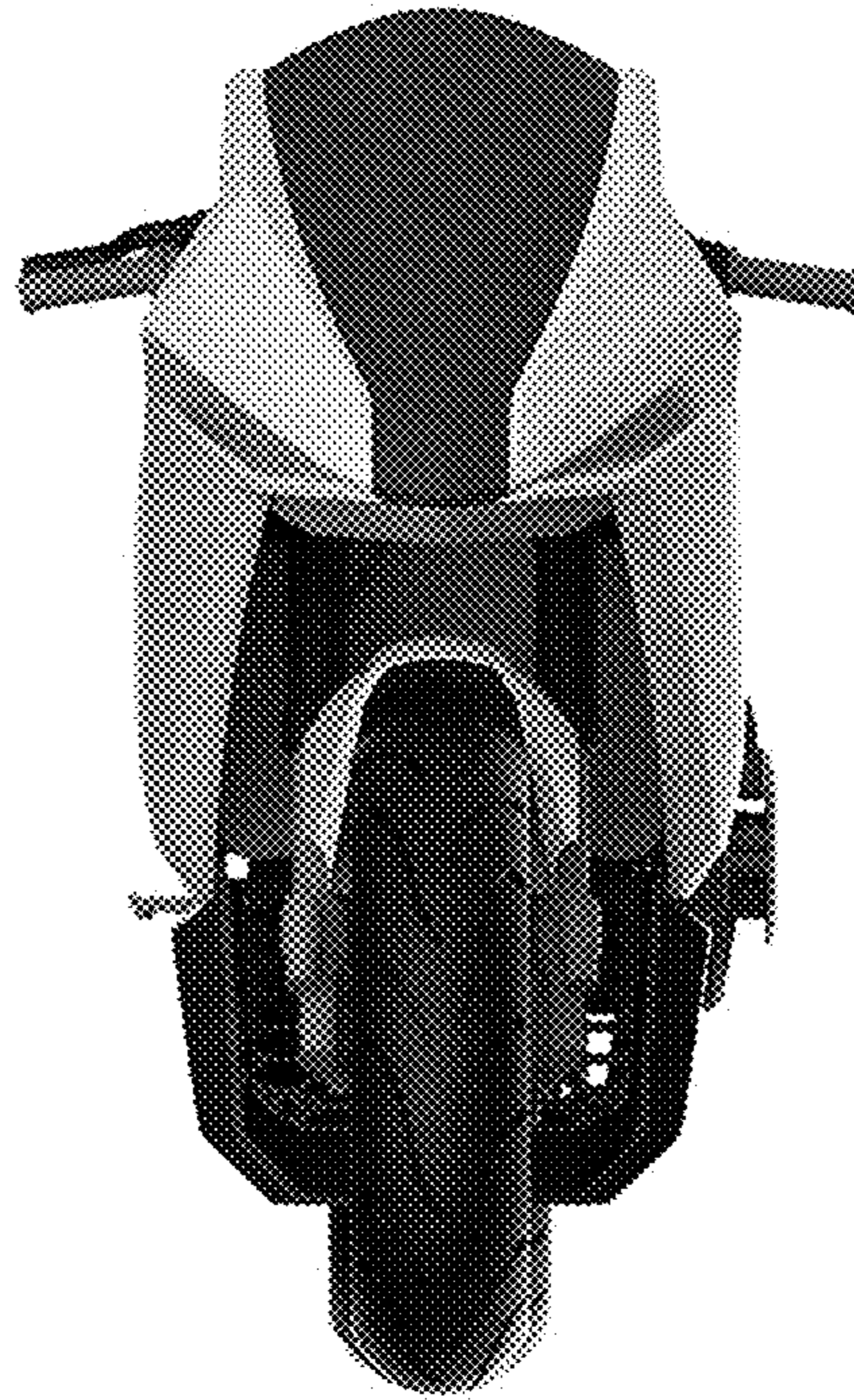
2.6



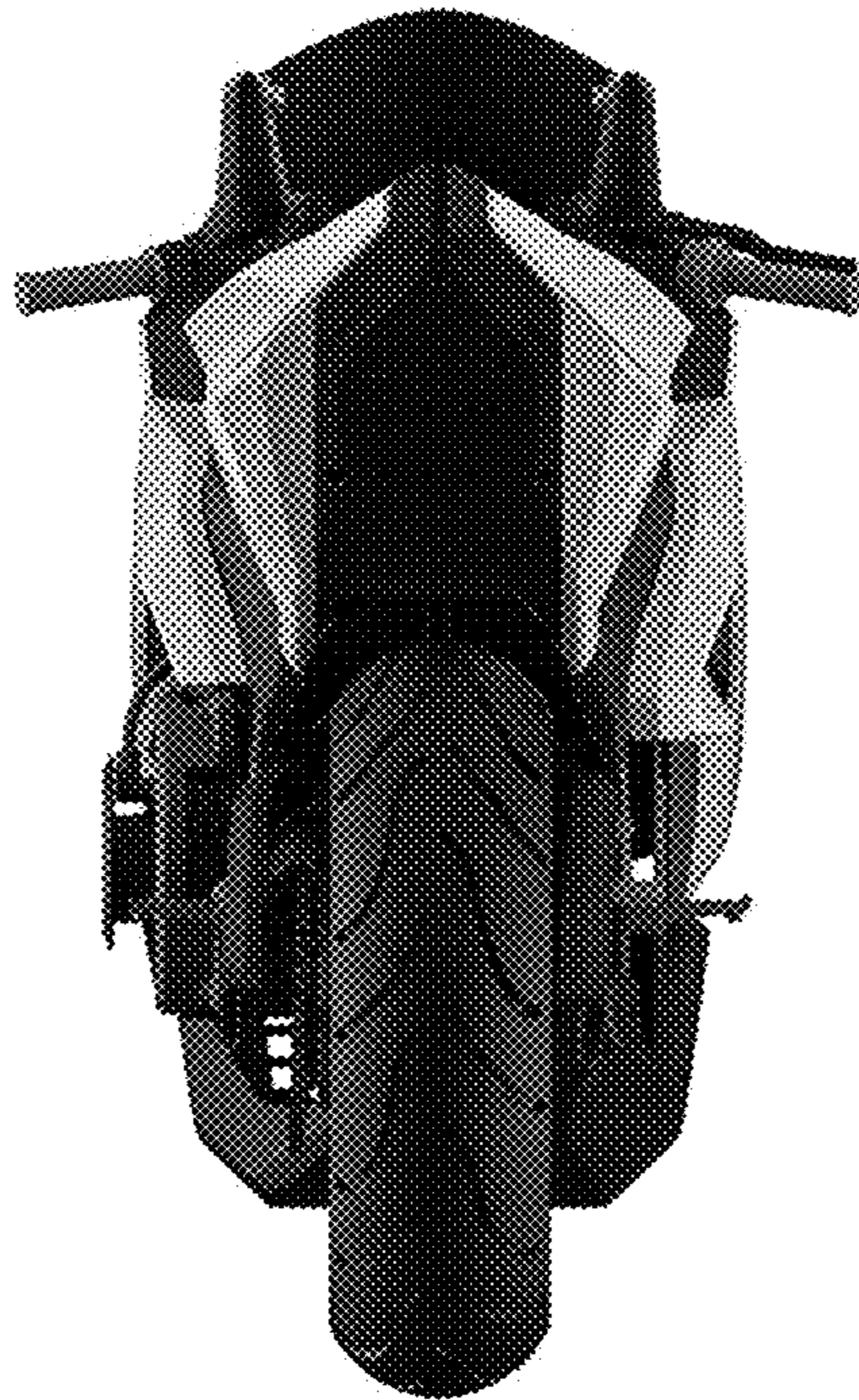
2.7



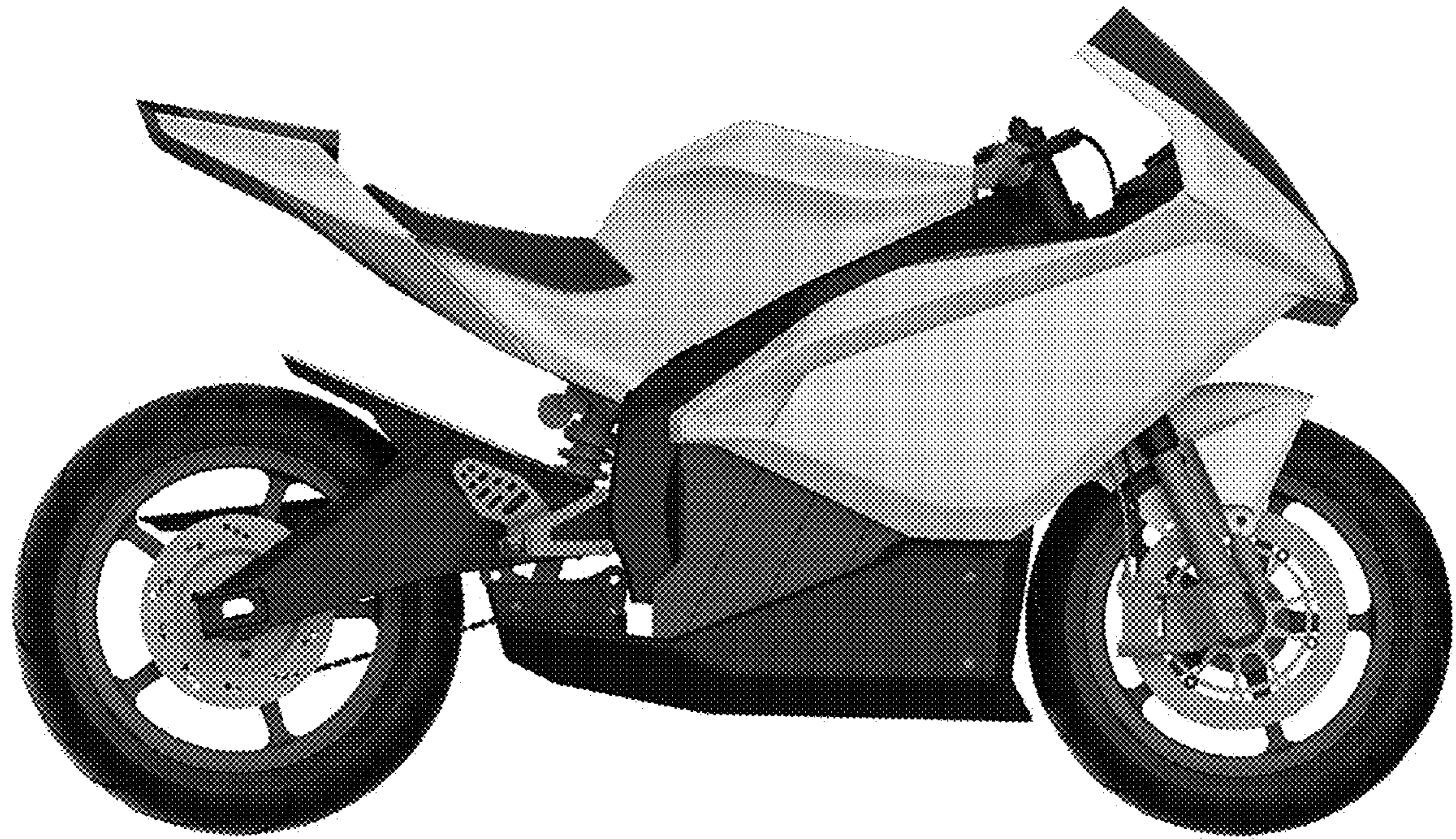
4.1



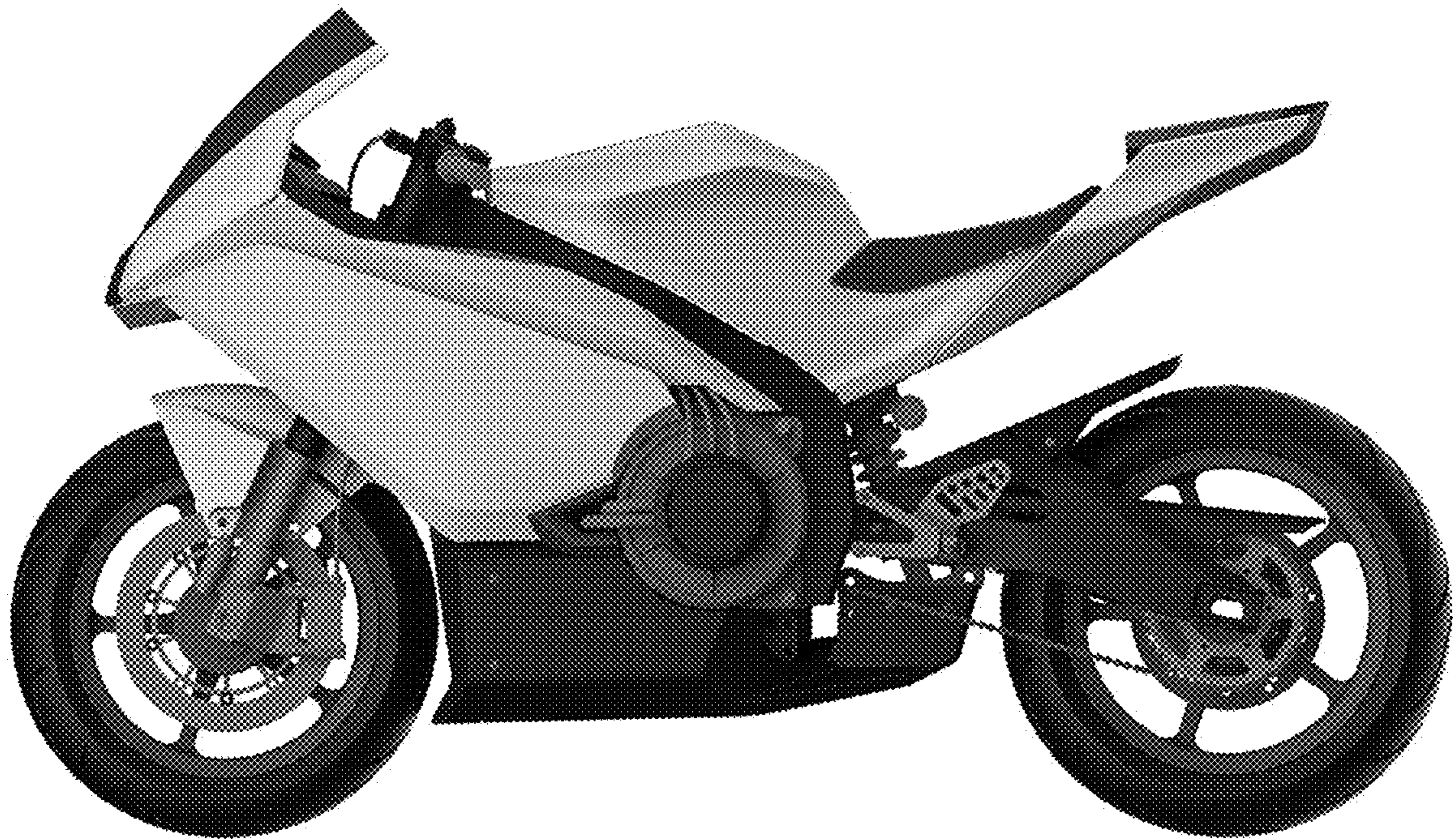
4.2



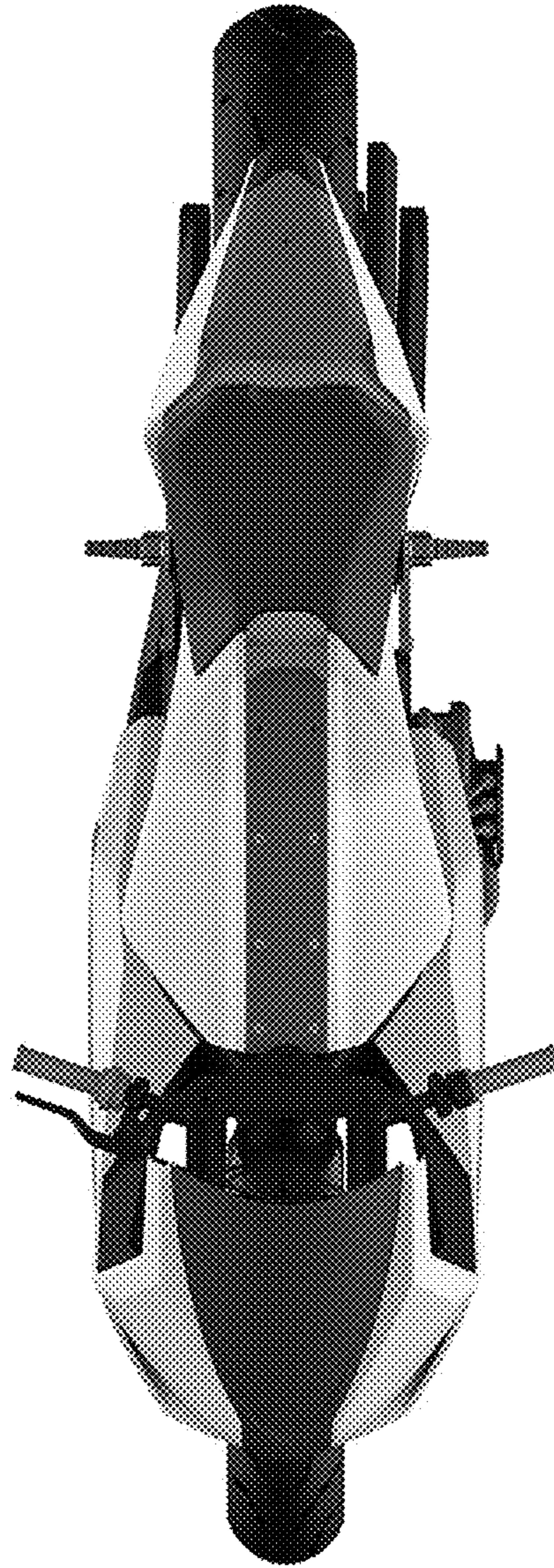
4.3



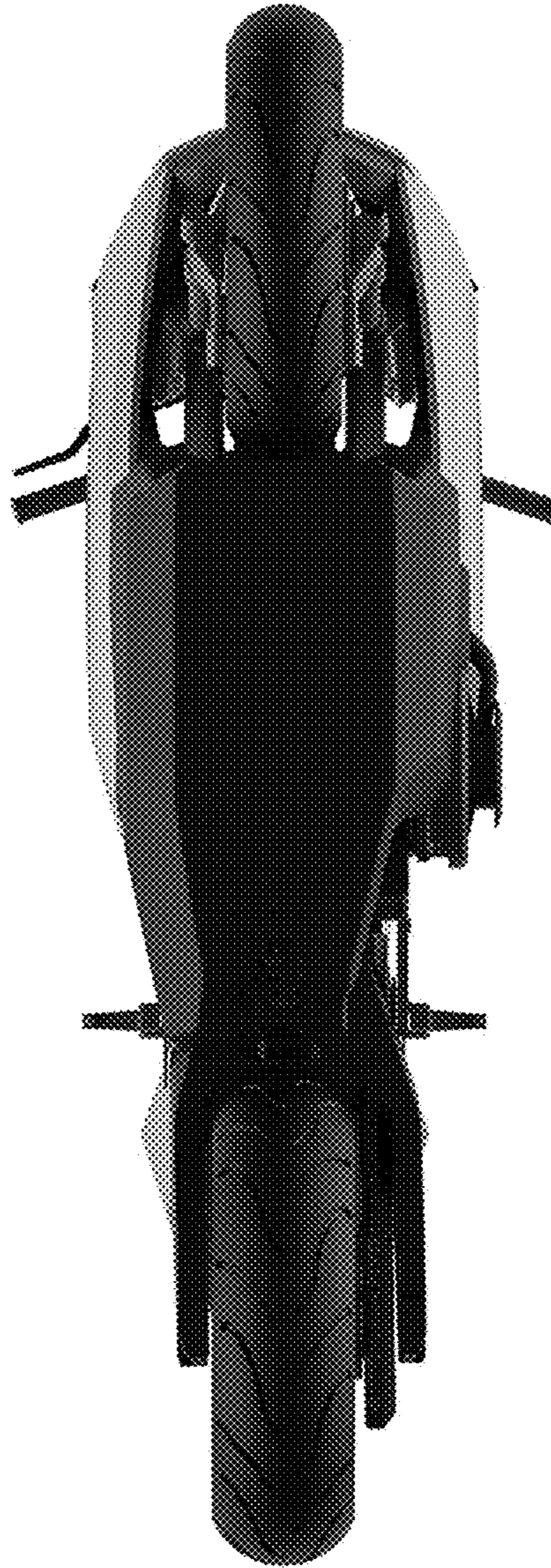
4.4



4.5



4.6



4.7

