



US00D976754S

(12) **United States Design Patent**
Hariharappa et al.

(10) **Patent No.:** **US D976,754 S**
(45) **Date of Patent:** **** Jan. 31, 2023**

- (54) **RAIL VEHICLE TRACTION PIN**
- (71) Applicant: **Transportation IP Holdings, LLC**,
Schenectady, NY (US)
- (72) Inventors: **Dayananda Thippagondanahalli**
Hariharappa, Karnataka (IN); **Ankur**
Pandey, Karnataka (IN)
- (73) Assignee: **Transportation IP Holdings, LLC**,
Norwalk, CT (US)
- (**) Term: **15 Years**
- (21) Appl. No.: **29/640,103**
- (22) Filed: **Mar. 12, 2018**
- (51) **LOC (14) Cl.** **12-03**
- (52) **U.S. Cl.**
USPC **D12/49**
- (58) **Field of Classification Search**
USPC D12/36-51; D19/65; D8/388, 391, 349
CPC B61F 5/16; B61F 5/18; F16B 19/02; F16B
19/00
See application file for complete search history.

- (56) **References Cited**
U.S. PATENT DOCUMENTS
- 715,085 A * 12/1902 King B61F 5/16
384/422
- 1,023,228 A * 4/1912 Taylor F02M 61/168
29/890.142
- 1,806,075 A * 5/1931 Martin B61F 5/16
105/189
- 2,987,851 A * 6/1961 Bonanno A63H 19/22
105/157.2
- 4,819,566 A * 4/1989 Smith B61F 5/44
105/168
- 4,861,969 A * 8/1989 Kicherer F24C 15/102
219/451.1
- D431,512 S * 10/2000 Pink D12/197

6,857,375 B2 *	2/2005	Milligan	B61F 5/16 105/199.4
D544,424 S *	6/2007	Bauer	D12/197
2002/0011174 A1 *	1/2002	Milligan	B61F 5/16 105/199.1
2008/0227379 A1 *	9/2008	Hung	F04D 29/601 454/184
2010/0043376 A1 *	2/2010	Tapper	B21K 1/54 56/289
2011/0258820 A1 *	10/2011	Komsitsky	F16B 5/0642 24/453
2012/0301249 A1 *	11/2012	Jablonski	F16B 35/00 411/394
2013/0336740 A1 *	12/2013	Druke	F16B 11/006 411/82
2014/0003882 A1 *	1/2014	Babey	B21K 1/46 411/500

(Continued)

Primary Examiner — Ania Aman
(74) Attorney, Agent, or Firm — McCoy Russell LLP

(57) **CLAIM**

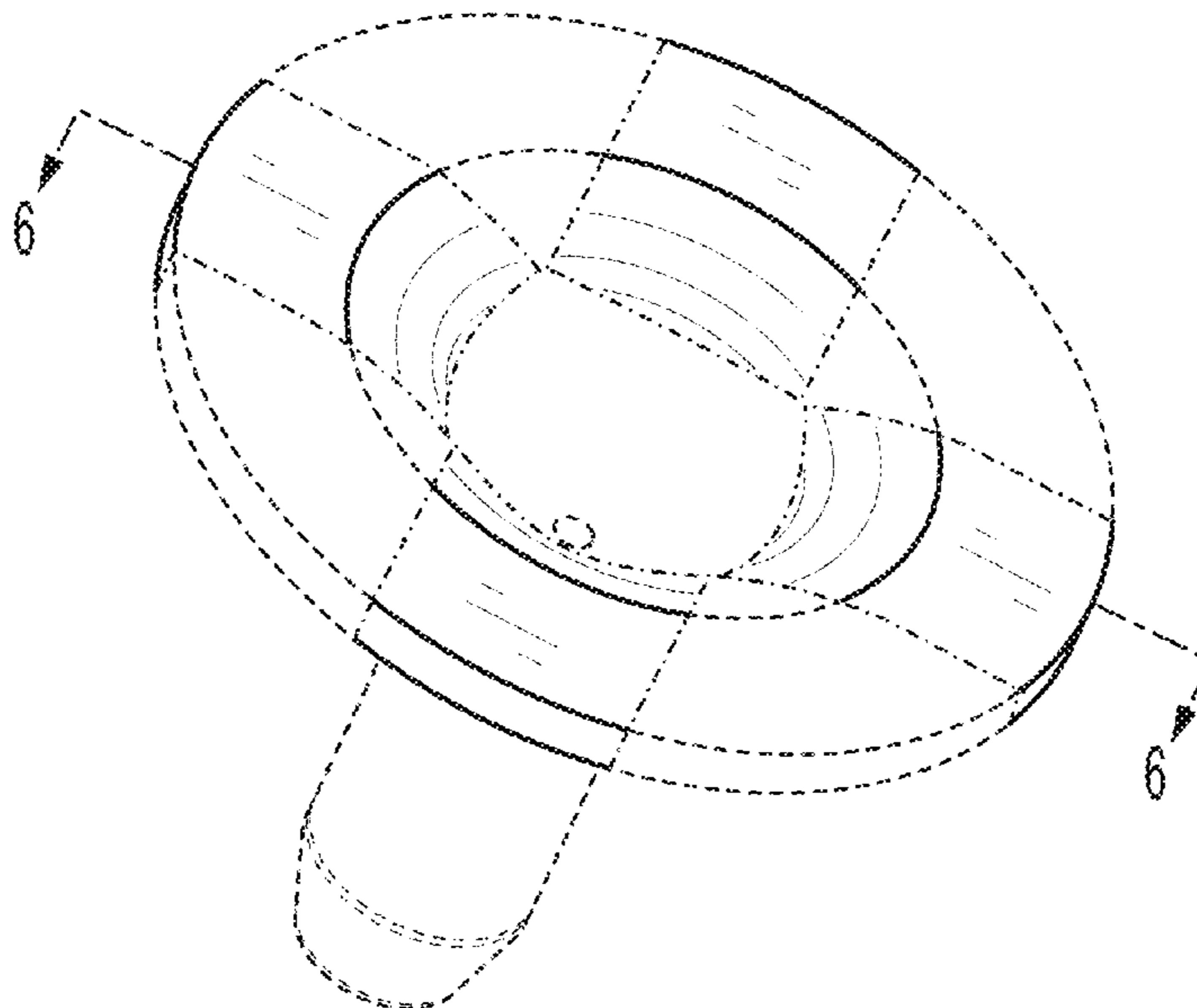
The ornamental design for a rail vehicle traction pin, as shown and described.

DESCRIPTION

FIG. 1 is a perspective view of a rail vehicle traction pin showing our new design;
FIG. 2 is an additional perspective view thereof;
FIG. 3 is a top view thereof;
FIG. 4 is a bottom view thereof;
FIG. 5 is a side view thereof; and,
FIG. 6 is a cross-sectional view taken along line 6-6 of FIGS. 1 and 5.

The dash-dash broken line portion of the figure drawings is included to show unclaimed subject matter only and forms no part of the claimed design. The dot-dash broken line portion of the figure drawings is included to depict boundary lines and forms no part of the claimed design.

1 Claim, 3 Drawing Sheets



(56)

References Cited

U.S. PATENT DOCUMENTS

2014/0286726 A1* 9/2014 Meese E21D 11/086
411/80.1
2015/0283655 A1* 10/2015 Gordon F16B 19/02
29/447
2017/0343033 A1* 11/2017 Sarazin F01D 25/28
2019/0300026 A1* 10/2019 Hatano B61F 5/52

* cited by examiner

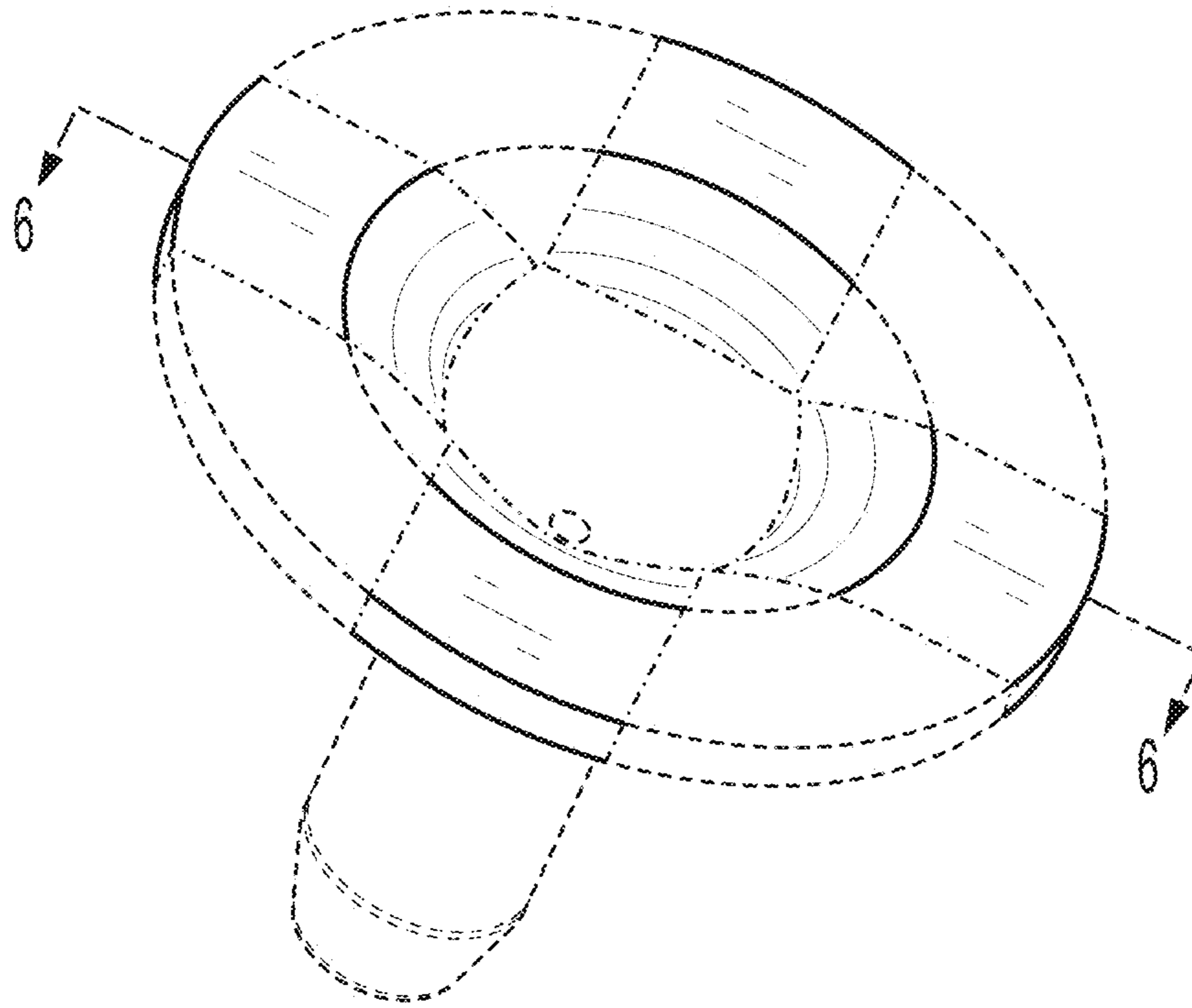


FIG. 1

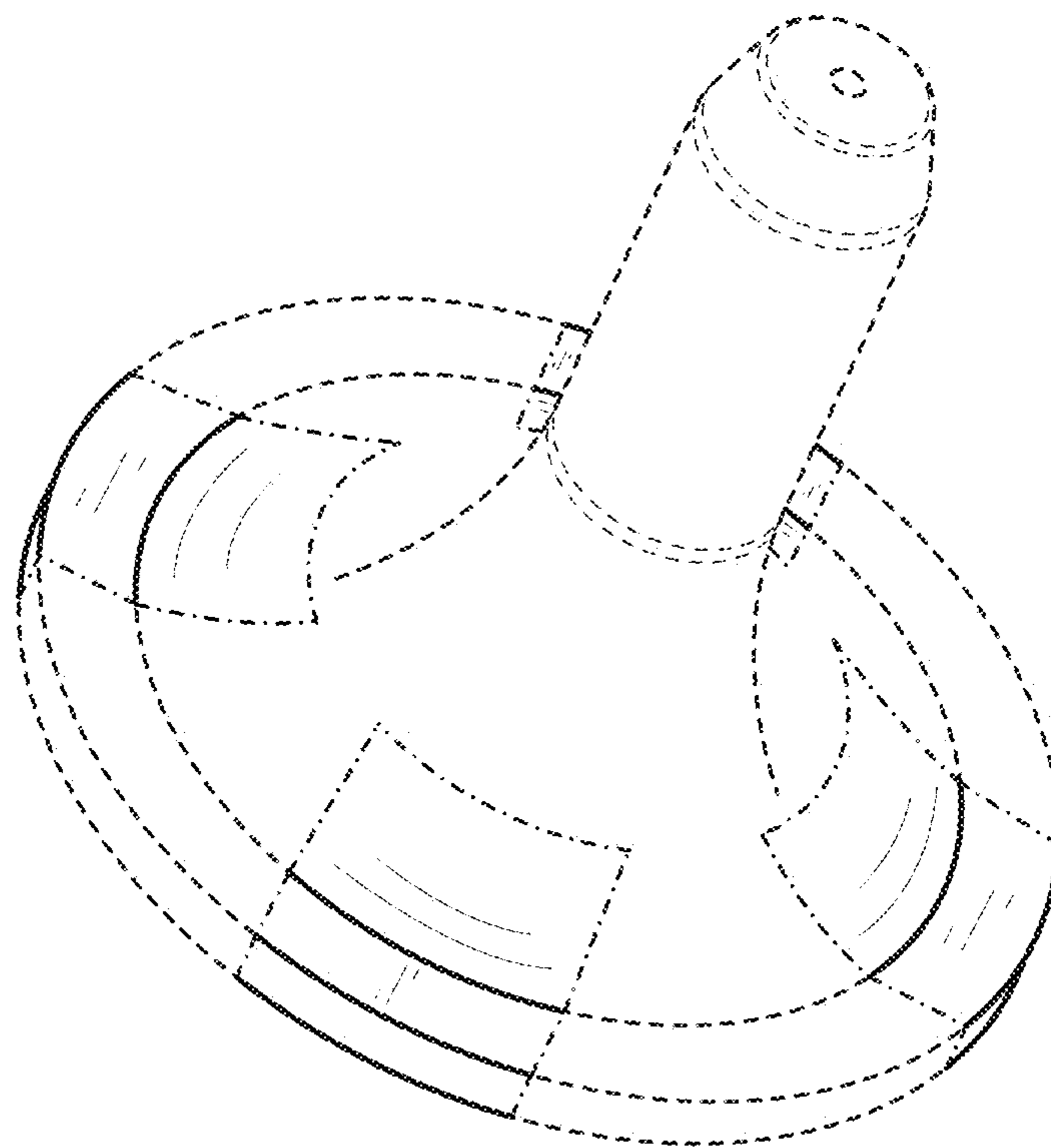


FIG. 2

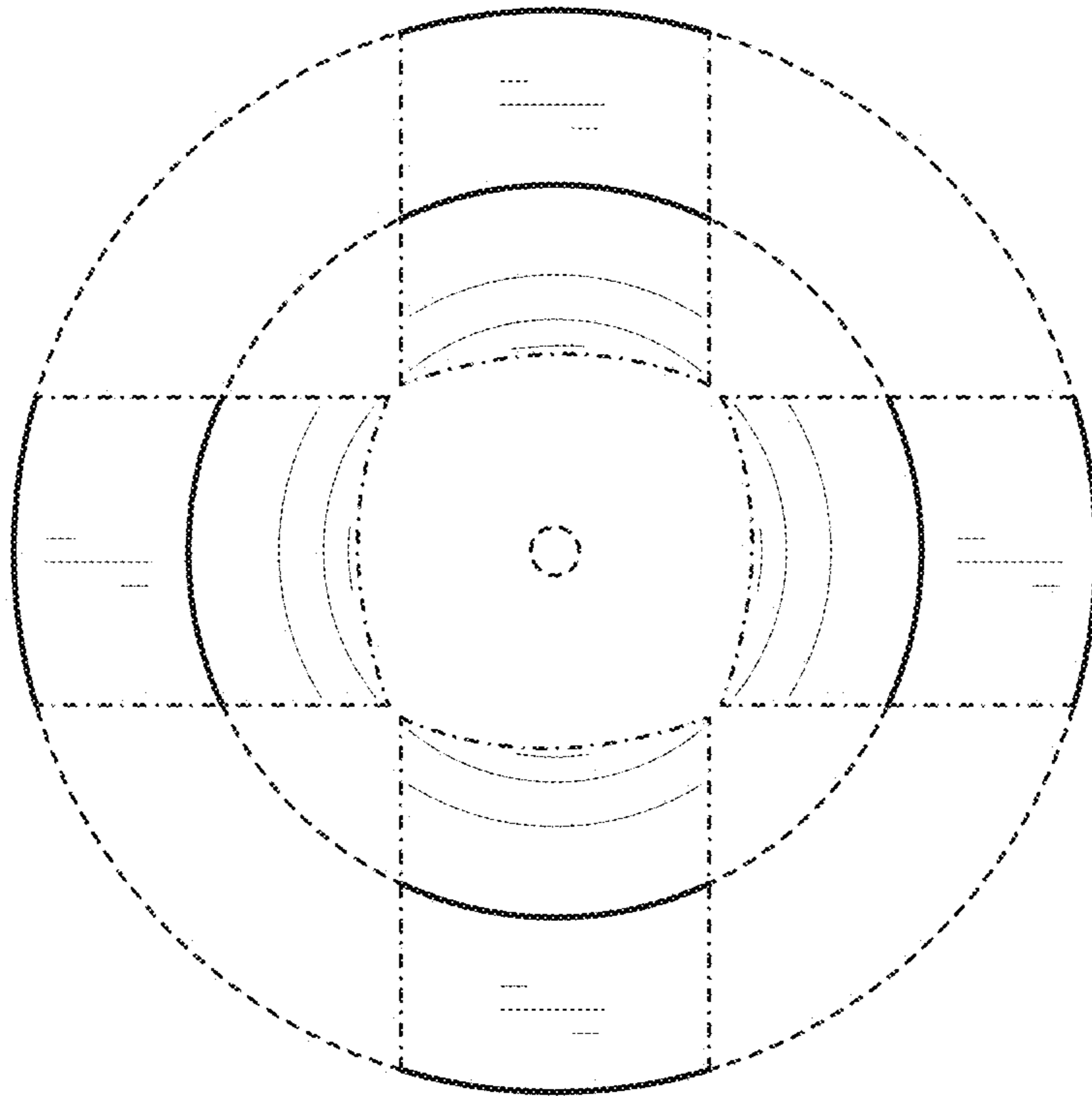


FIG. 3

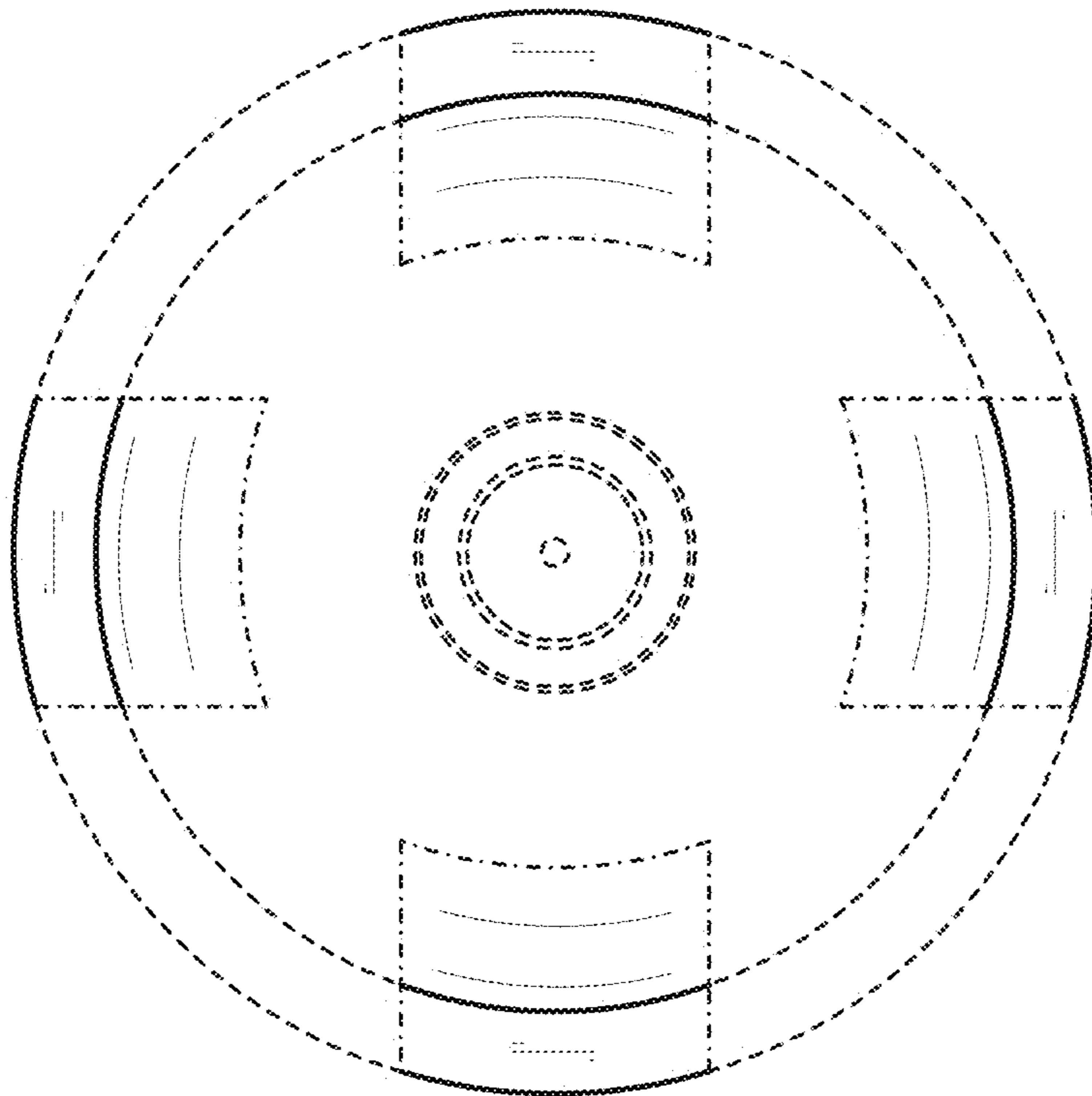


FIG. 4

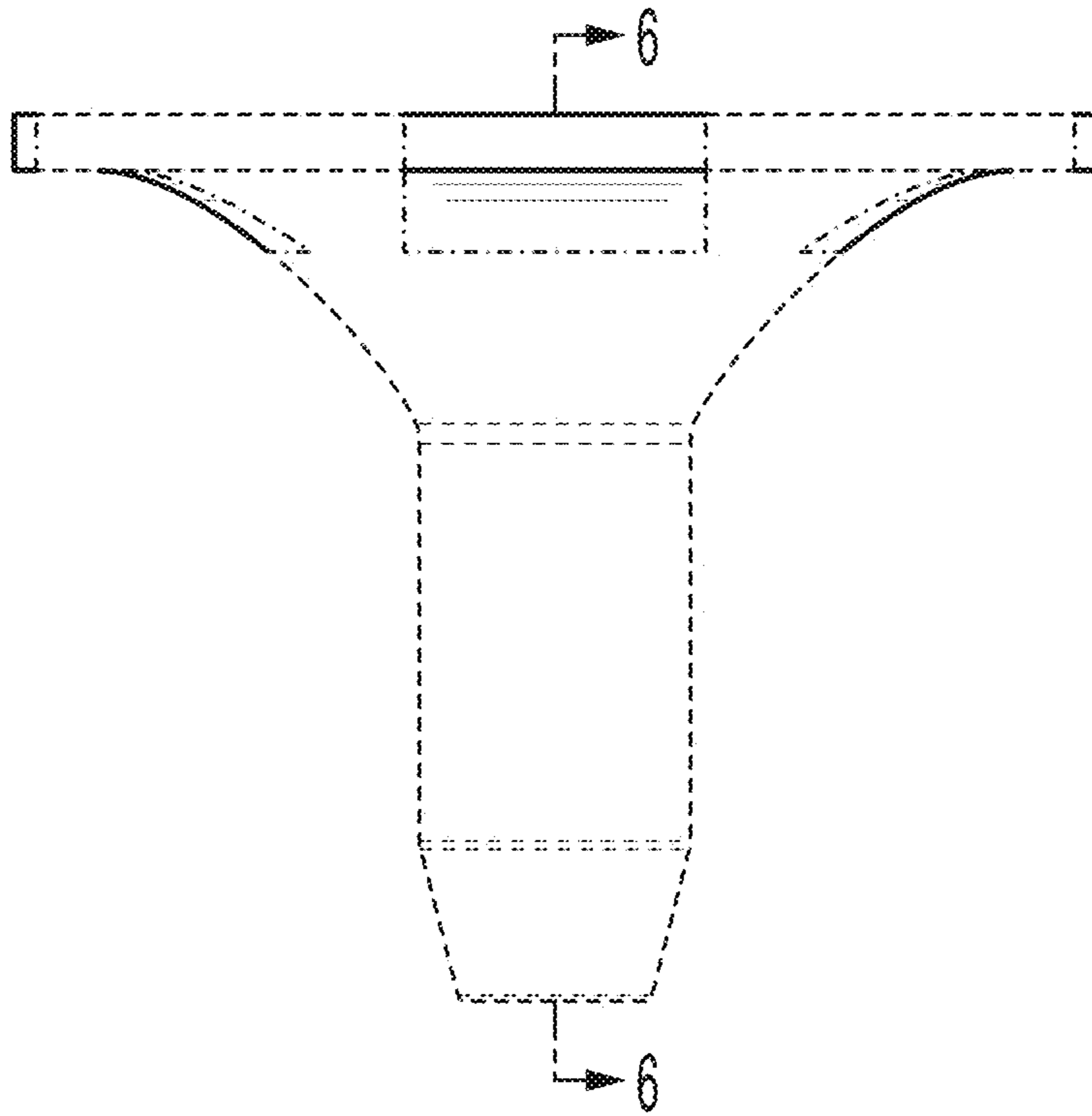


FIG. 5

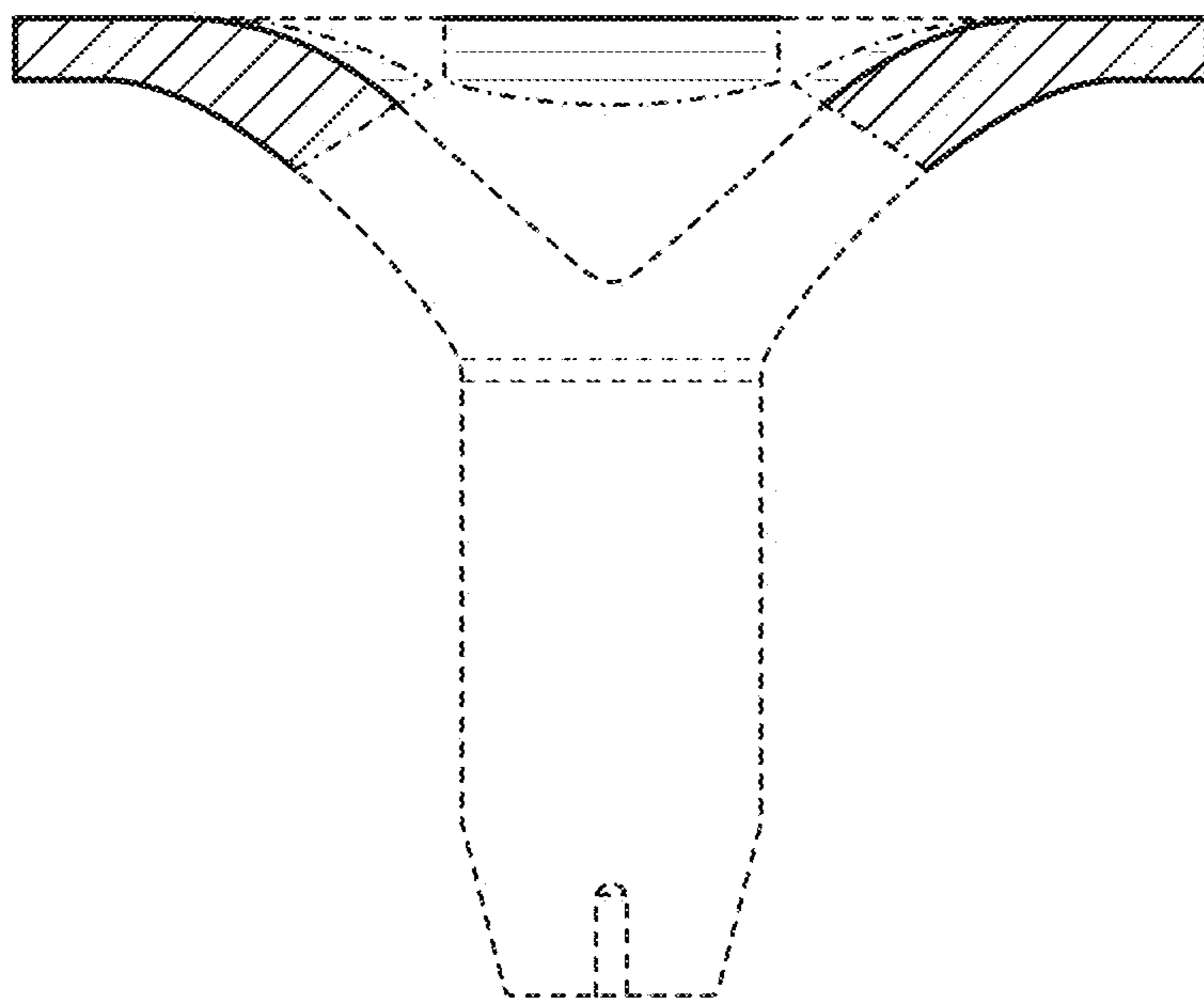


FIG. 6