



US00D976753S

(12) **United States Design Patent** (10) **Patent No.:** **US D976,753 S**
Zuchoski et al. (45) **Date of Patent:** **** Jan. 31, 2023**

(54) **SKI FOR A SNOW VEHICLE**

(71) Applicant: **CAMSO INC.**, Magog (CA)

(72) Inventors: **Jeremie Zuchoski**, Sherbrooke (CA);
Bernard Jean, St-Mathieu du Parc (CA);
Guillaume Laplante, Sherbrooke (CA)

(73) Assignee: **Camso Inc.**, Magog (CA)

(**) Term: **15 Years**

(21) Appl. No.: **29/593,519**

(22) Filed: **Feb. 9, 2017**

(30) **Foreign Application Priority Data**

Aug. 25, 2016 (WO) PCT/CA2016/051005

(51) **LOC (14) Cl.** **12-13**

(52) **U.S. Cl.**
USPC **D12/7**

(58) **Field of Classification Search**
USPC D12/7, 6, 9; D21/766
CPC B62B 17/02; B62B 19/04; B62B 19/00;
B62M 2027/025

See application file for complete search history.

(56) **References Cited**

U.S. PATENT DOCUMENTS

2,874,005 A 2/1959 Engstrom
3,613,811 A 10/1971 Brandli et al.
3,675,939 A 7/1972 Vik
3,754,798 A 8/1973 Chaumont et al.
3,817,544 A 6/1974 Labelle
3,822,755 A 7/1974 Hine
3,879,092 A 4/1975 Rose
D243,517 S 3/1977 Belanger et al.
4,491,333 A 1/1985 Warnke
4,502,560 A 3/1985 Hisatomi
4,613,006 A 9/1986 Moss et al.
D300,914 S 5/1989 Arvidsson
5,203,424 A 4/1993 Gogo et al.
5,474,146 A 12/1995 Yoshioka et al.

D394,975 S 6/1998 Wilkening et al.
6,112,840 A 9/2000 Gorbes
6,267,392 B1 7/2001 Noble
6,431,301 B1 8/2002 Forbes
D465,744 S 11/2002 Mallette
D469,036 S * 1/2003 Bruns D12/10
D471,842 S * 3/2003 Mallette D12/7
D473,488 S * 4/2003 Mallette D12/7
D473,489 S 4/2003 Mallette et al.
D479,813 S 9/2003 Cadotte et al.
6,631,912 B2 * 10/2003 Metheny B62B 13/12
280/28

6,991,056 B2 1/2006 Roberts et al.
7,017,695 B2 3/2006 Meunier et al.
7,040,438 B2 5/2006 Yoshihara
7,090,229 B2 8/2006 Monsrud
D539,189 S * 3/2007 Huntimer D12/7
D549,132 S * 8/2007 Musselman D12/6
7,264,250 B2 * 9/2007 Lachance B62B 17/02
280/28

7,311,165 B2 12/2007 Roberts et al.
7,311,166 B2 * 12/2007 Roberts A63C 5/00
180/182

D601,453 S 10/2009 Brew et al.
D636,793 S 4/2011 Vladimirovich et al.
D637,626 S 5/2011 Vladimirovich et al.
D639,313 S 6/2011 Degtyarev et al.
D653,681 S 2/2012 Degtyarev et al.
D683,661 S 6/2013 Horne
8,641,055 B2 * 2/2014 Simmons B62B 17/02
280/22

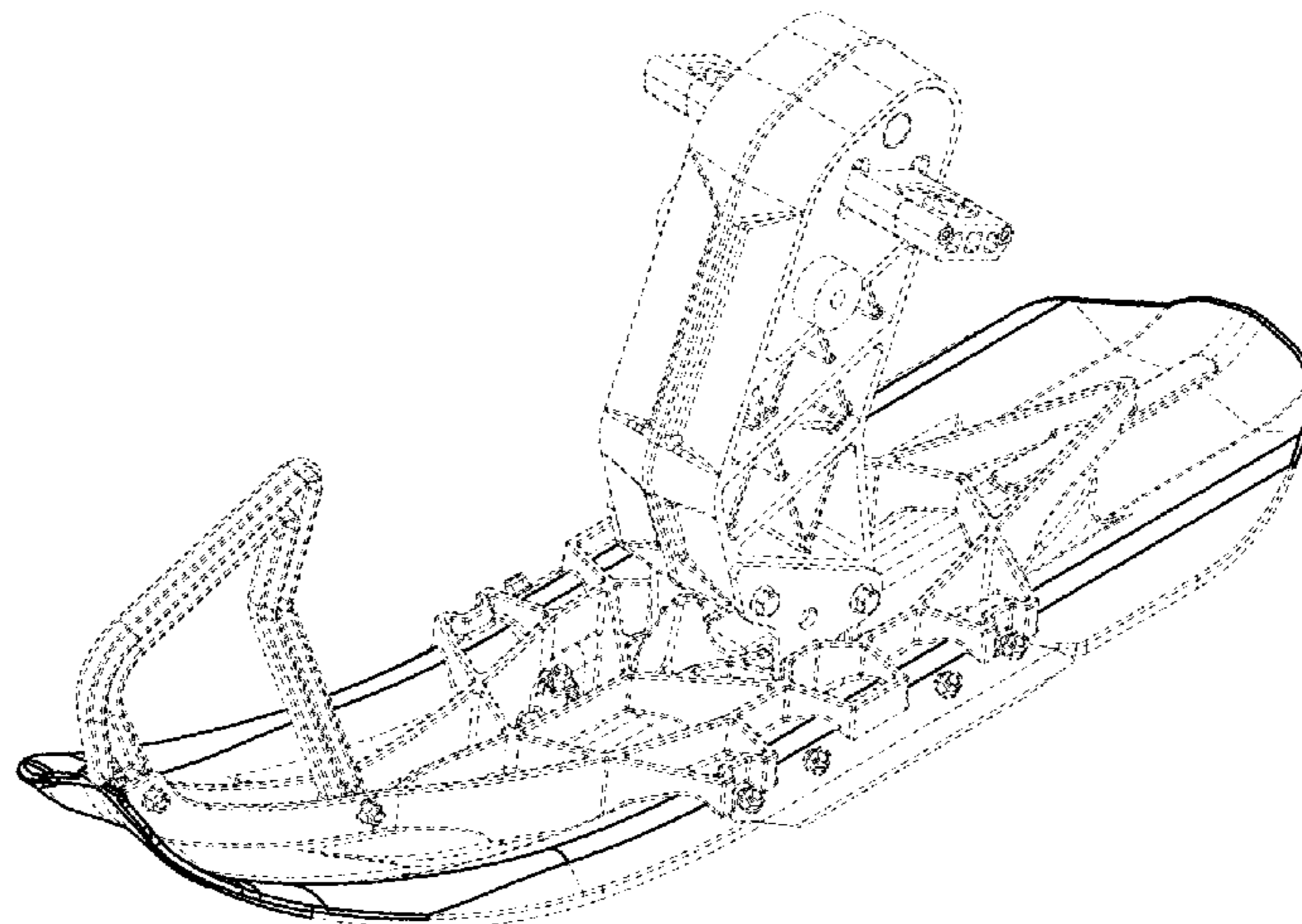
8,910,738 B2 12/2014 Mangum
D768,033 S 10/2016 Degtyarev et al.
D768,034 S 10/2016 Degtyarev et al.
D778,783 S 2/2017 Will et al.
9,731,746 B2 8/2017 Hodgson et al.
9,988,067 B1 6/2018 Mangum
D827,678 S 9/2018 Choi
D827,679 S 9/2018 Choi
D827,680 S 9/2018 Choi
D827,681 S 9/2018 Choi
2003/0034619 A1 * 2/2003 Bergstrom B62D 57/00
280/28

2003/0234129 A1 * 12/2003 Roberts A63C 5/03
180/182

2004/0160026 A1 * 8/2004 Lund A63C 5/0485
280/28

2004/0227312 A1 * 11/2004 Dick B62B 17/02
280/28

2005/0173873 A1 8/2005 Ruzewski et al.
2006/0175777 A1 8/2006 Lemieux et al.
2009/0008990 A1 1/2009 Sibilleau
2009/0322045 A1 12/2009 Lemieux



2010/0140007	A1	6/2010	Ogura et al.
2010/0231034	A1	9/2010	Kanzler
2011/0278083	A1	11/2011	Yoshihara et al.
2012/0104840	A1	5/2012	Zuchoski et al.
2014/0202784	A1	7/2014	Mallette
2015/0034404	A1	2/2015	Polakowski et al.
2015/0166143	A1	6/2015	Beavis
2016/0031471	A1	2/2016	Anderson et al.
2016/0167722	A1	6/2016	Anderson et al.
2016/0257332	A1	9/2016	Hodgson et al.
2017/0066502	A1	3/2017	Will et al.
2017/0129526	A1	5/2017	Mangum et al.
2017/0129569	A1	5/2017	Mangum et al.
2017/0129570	A1	5/2017	Mangum et al.
2017/0349239	A1	12/2017	Beavis
2018/0243636	A1	8/2018	Zuchoski et al.
2018/0244326	A1	8/2018	Zuchoski
2018/0251168	A1	9/2018	Mangum et al.
2018/0273142	A1	9/2018	Mangum et al.
2020/0094918	A1	3/2020	Beavis

FOREIGN PATENT DOCUMENTS

CA	173023	4/2018
CA	173024	4/2018
CA	180122	4/2018
CA	180123	4/2018
EP	005943693-0001	1/2019
EP	005943693-0002	1/2019
EP	005943693-0003	1/2019
WO	WO2017031591	3/2017
WO	WO2017031592	3/2017

OTHER PUBLICATIONS

International Search report dated Nov. 10, 2016 in connection with International Patent Application PCT/CA2016/051004, 4 pages.
 Restriction requirement dated Mar. 14, 2019 in connection with Design U.S. Appl. No. 29/593,521, 18 pages.
 Examiner's report dated Jun. 7, 2017 in connection with Canadian Design application No. 173,024, 2 pages.
 Examiner's report dated Jun. 7, 2017 in connection with Canadian Design application No. 173,023, 2 pages.
 PCT/CA2016/051004—International Search Report published dated Feb. 3, 2017.
 PCT/CA2016/051004—Written Opinion published dated Feb. 3, 2017.
 International Search Report and Written Opinion issued in connection with PCT/CA2016/051005 dated Nov. 2, 2016.
 Non-Final Office Action dated Aug. 8, 2016 in connection with U.S. Appl. No. 14/750,832, 11 pages.
 Non-Final Office Action dated Jun. 14, 2019 in connection with Design U.S. Appl. No. 29/593,521, 13 pages.
 Non-Final Office Action dated May 15, 2019 in connection with U.S. Appl. No. 15/755,382, 24 pages.
 Notice of Allowance dated Mar. 30, 2017 in connection with U.S. Appl. No. 14/750,832, 5 pages.
 Restriction requirement dated Nov. 20, 2019 in connection with U.S. Appl. No. 15/755,377, 7 pages.
 Final Office Action dated Dec. 20, 2019 in connection with U.S. Appl. No. 15/755,382, 14 pages.
 Ex parte Quayle Office Action dated Apr. 15, 2020, in connection with Design U.S. Appl. No. 29/593,521, 9 pages.
 Notice of Allowance dated Aug. 24, 2020, in connection with Design U.S. Appl. No. 29/593,521, 17 pages.

Non-Final Office Action dated Apr. 3, 2020 in connection with U.S. Appl. No. 15/755,377, 9 pages.
 Non-Final Office Action dated Jan. 24, 2020 in connection with Design U.S. Appl. No. 29/674,712, 11 pages.
 Office Action dated Apr. 7, 2020 in connection with Design U.S. Appl. No. 29/674,712, 9 pages.
 Notice of Allowance dated Aug. 4, 2020, in connection with Design U.S. Appl. No. 29/674,712, 5 pages.

* cited by examiner

Primary Examiner — Ania Aman
 (74) *Attorney, Agent, or Firm* — Hahn Loeser & Parks LLP; Bret A. Hrivnak

(57) **CLAIM**

We claim the ornamental design for a ski for a snow vehicle, as shown and described.

DESCRIPTION

FIG. 1 is a front perspective view of a ski for a snow vehicle in accordance with a first embodiment of the design;
 FIG. 2 is a front elevation view of the ski of FIG. 1;
 FIG. 3 is a rear elevation view of the ski of FIG. 1;
 FIG. 4 is a right side elevation view of the ski of FIG. 1;
 FIG. 5 is a left side elevation view of the ski of FIG. 1;
 FIG. 6 is a top view of the ski of FIG. 1;
 FIG. 7 is a bottom view of the ski of FIG. 1;
 FIG. 8 is a front perspective view of a ski for a snow vehicle in accordance with a second embodiment of the design;
 FIG. 9 is a front elevation view of the ski of FIG. 8;
 FIG. 10 is a rear elevation view of the ski of FIG. 8;
 FIG. 11 is a right side elevation view of the ski of FIG. 8;
 FIG. 12 is a left side elevation view of the ski of FIG. 8;
 FIG. 13 is a top view of the ski of FIG. 8;
 FIG. 14 is a bottom view of the ski of FIG. 8;
 FIG. 15 is a front perspective view of a ski for a snow vehicle in accordance with a third embodiment of the design;
 FIG. 16 is a front elevation view of the ski of FIG. 15;
 FIG. 17 is a rear elevation view of the ski of FIG. 15;
 FIG. 18 is a right side elevation view of the ski of FIG. 15;
 FIG. 19 is a left side elevation view of the ski of FIG. 15;
 FIG. 20 is a top view of the ski of FIG. 15;
 FIG. 21 is a bottom view of the ski of FIG. 15;
 FIG. 22 is a front perspective view of a ski for a snow vehicle in accordance with a fourth embodiment of the design;
 FIG. 23 is a front elevation view of the ski of FIG. 22;
 FIG. 24 is a rear elevation view of the ski of FIG. 22;
 FIG. 25 is a right side elevation view of the ski of FIG. 22;
 FIG. 26 is a left side elevation view of the ski of FIG. 22;
 FIG. 27 is a top view of the ski of FIG. 22; and,
 FIG. 28 is a bottom view of the ski of FIG. 22.
 The broken lines depict environment subject-matter only and do not form part of the claimed design.

1 Claim, 12 Drawing Sheets

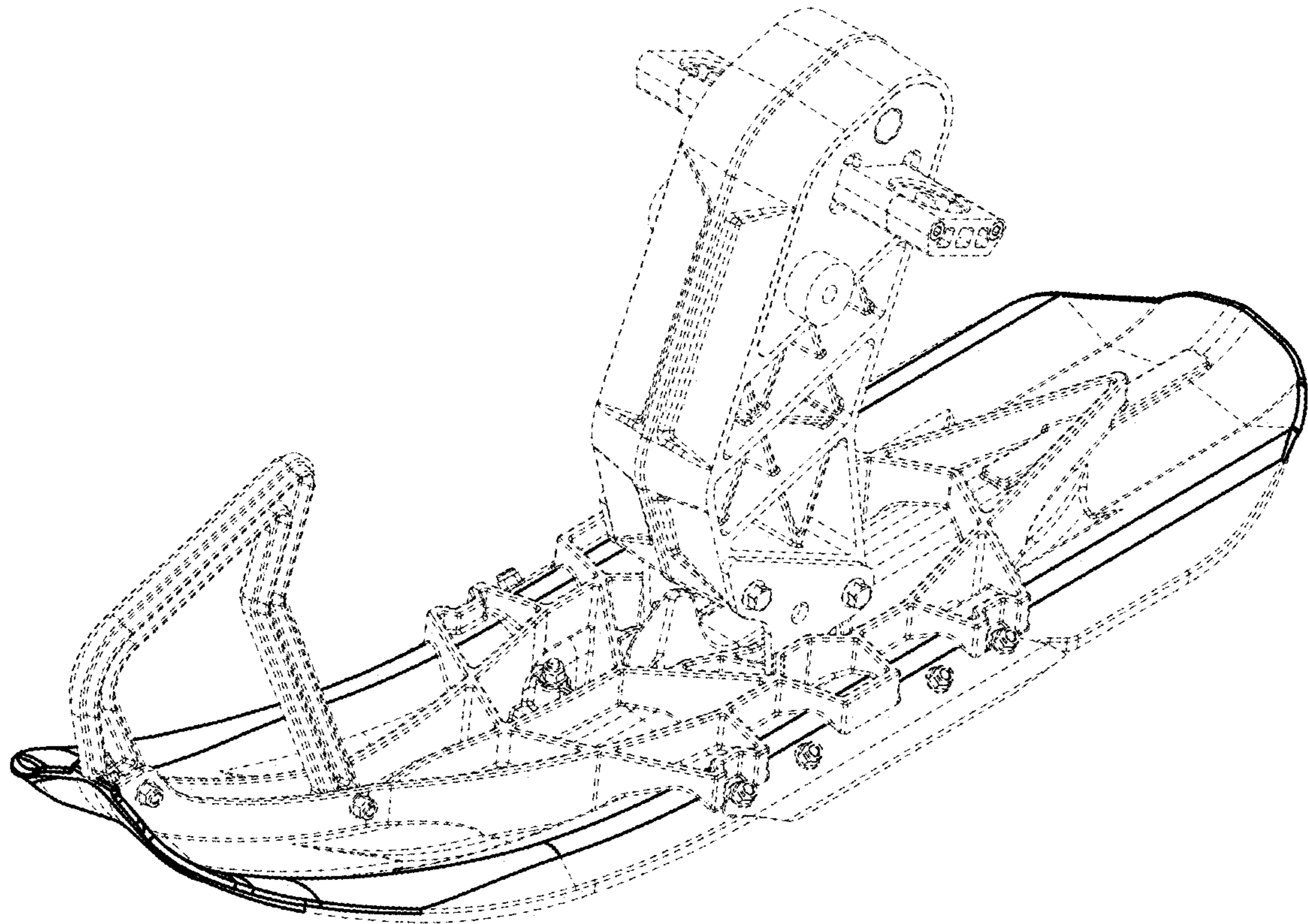


FIG. 1

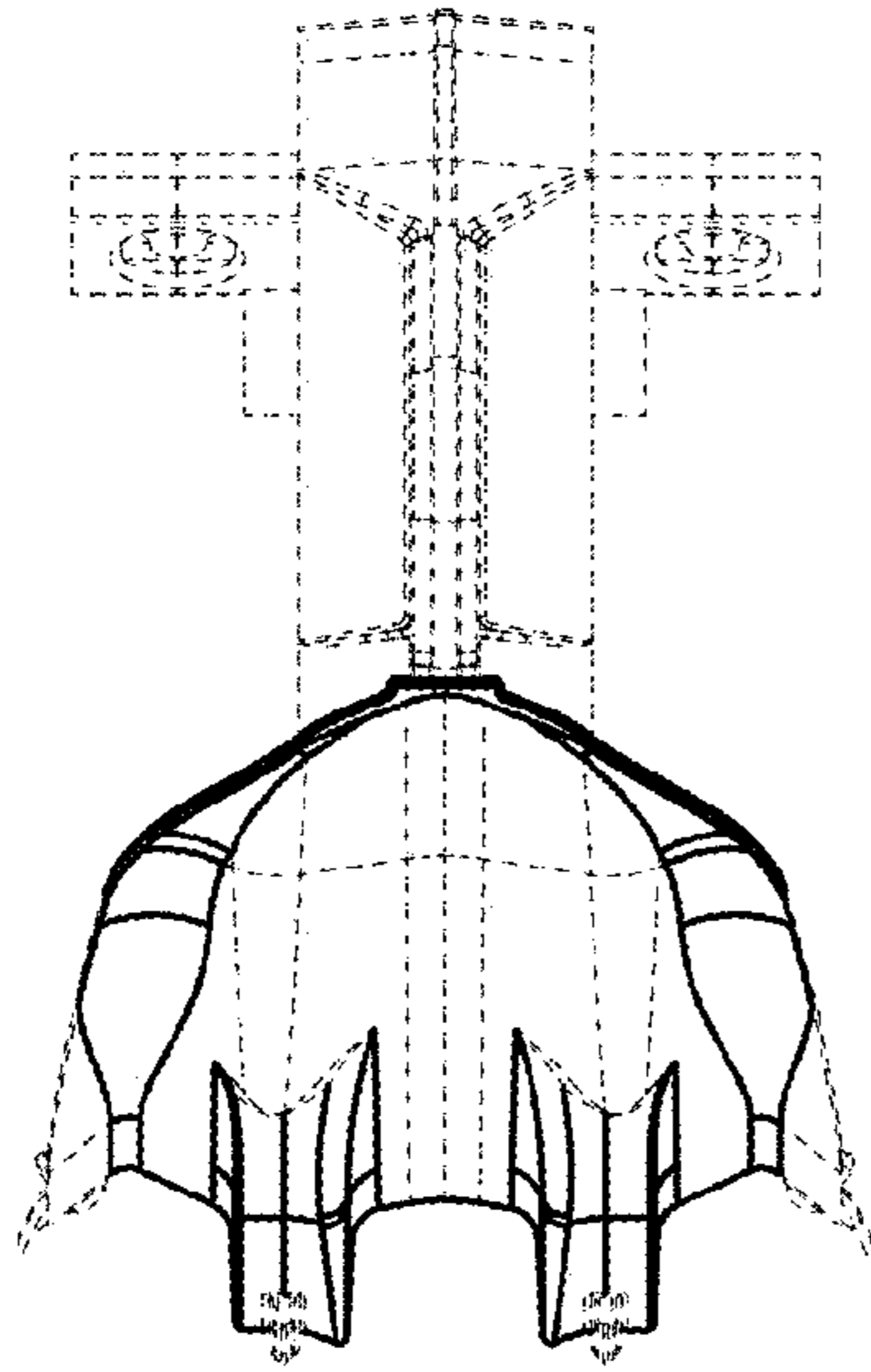


FIG. 2

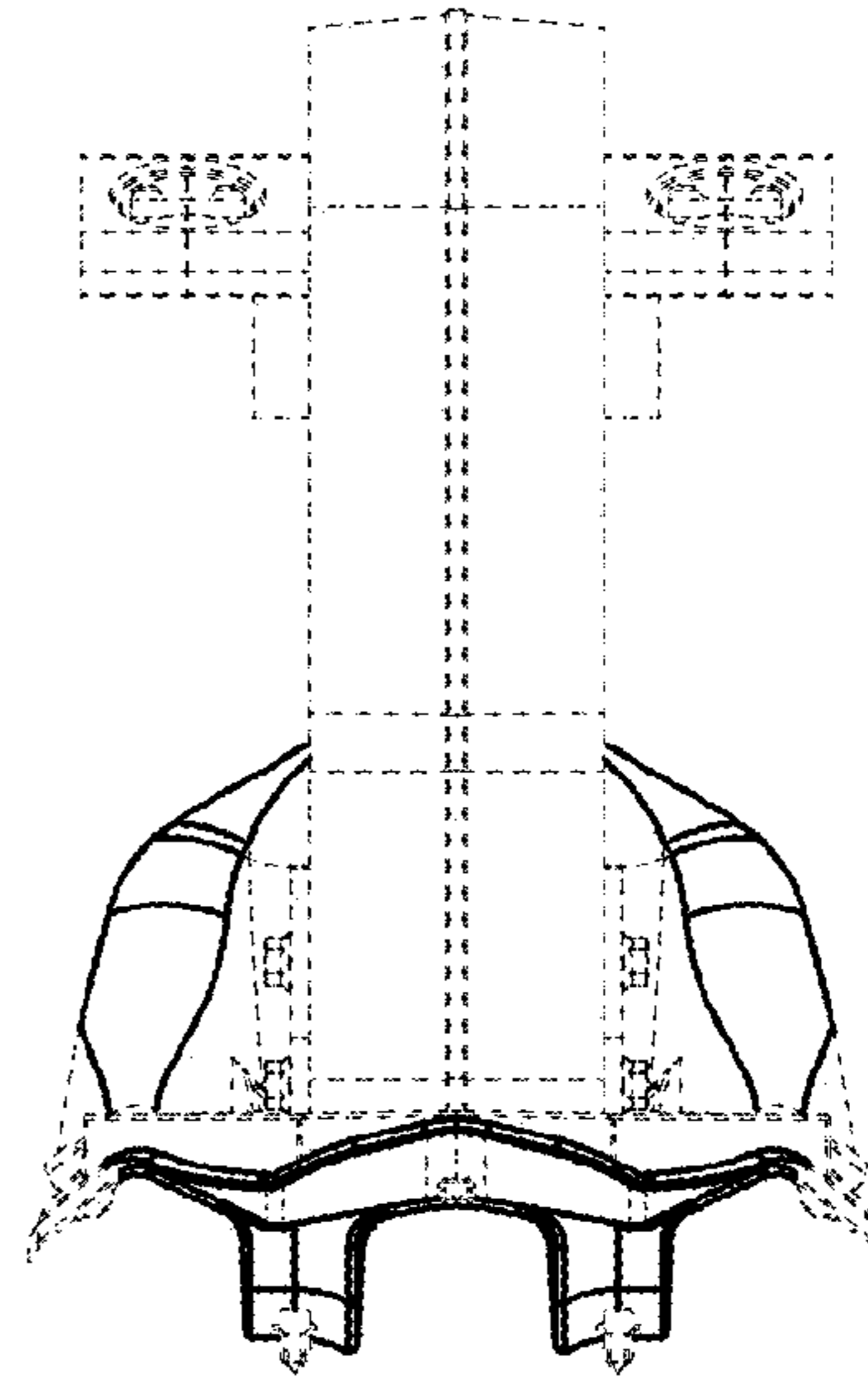


FIG. 3

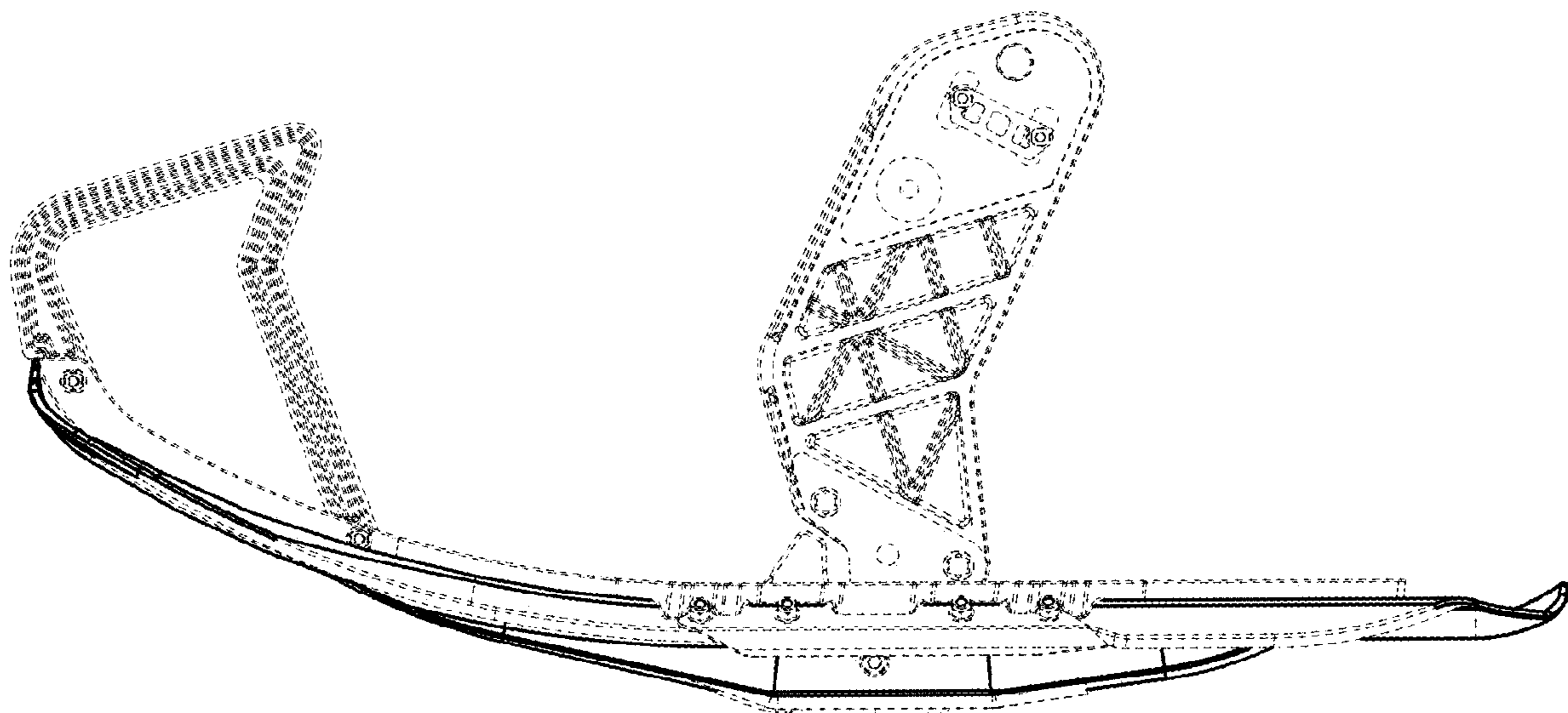


FIG. 4

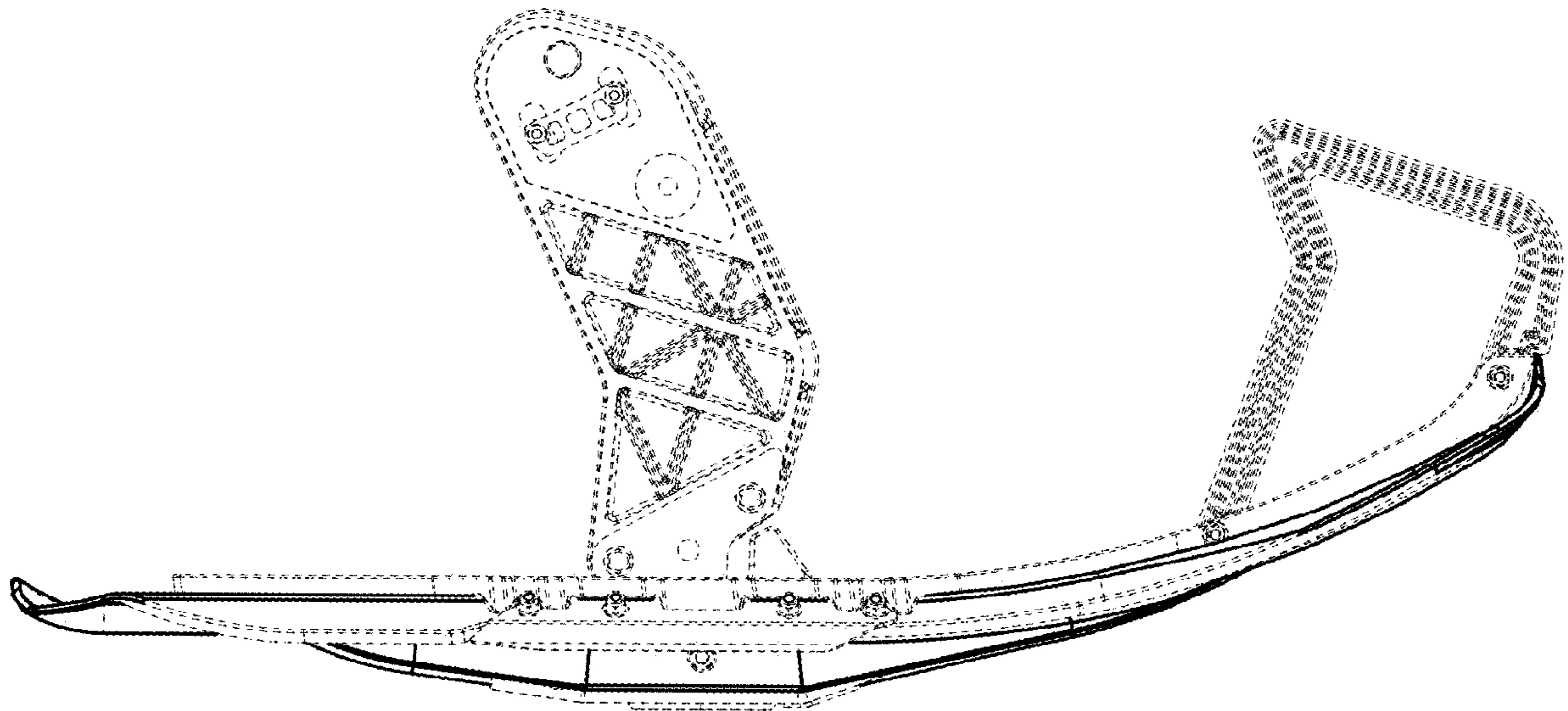


FIG. 5

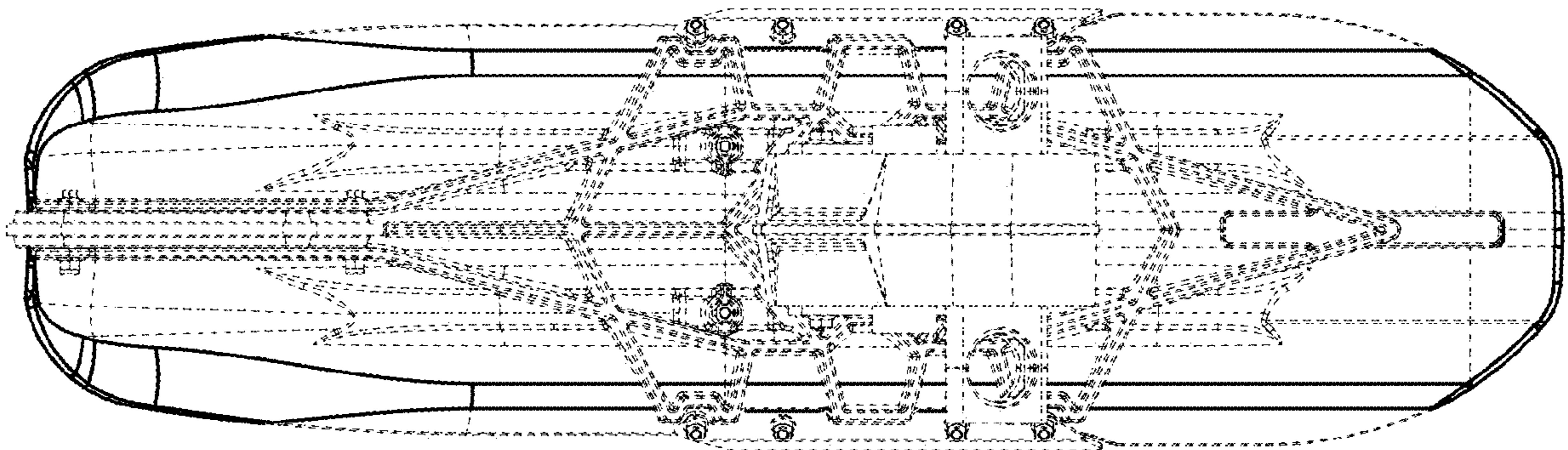


FIG. 6

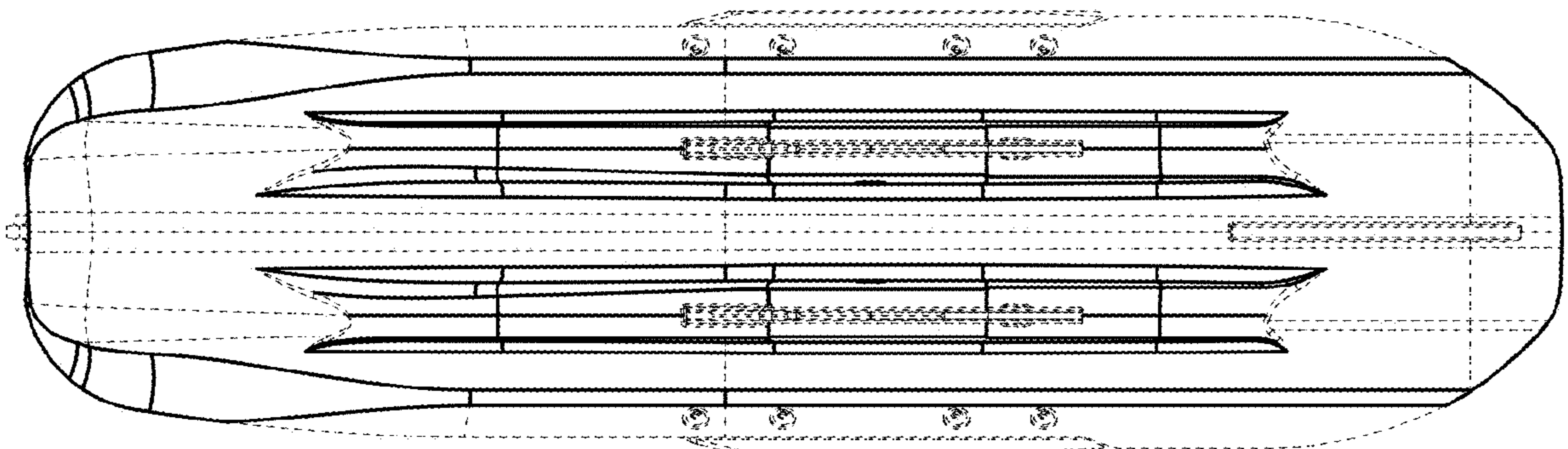


FIG. 7

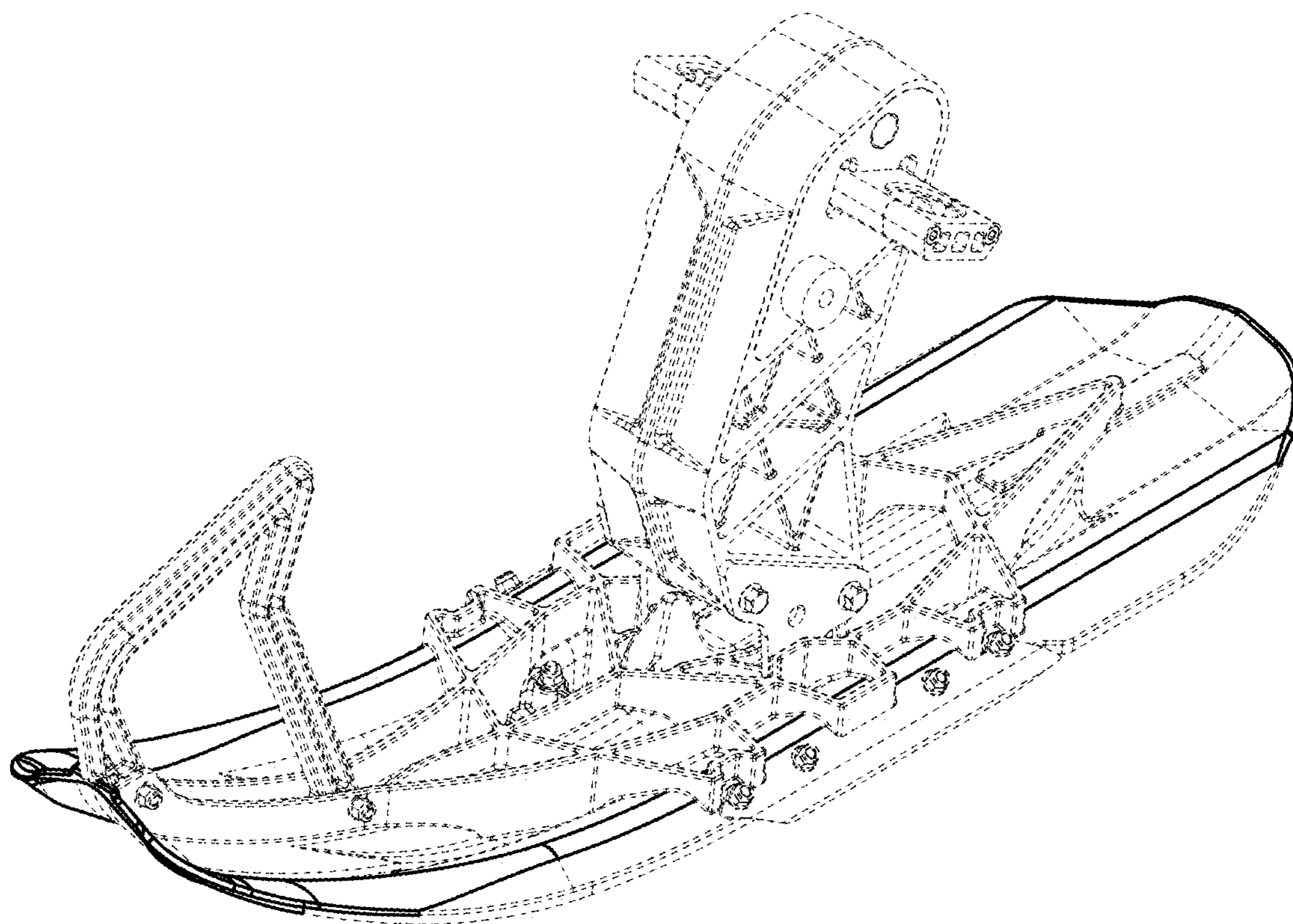


FIG. 8

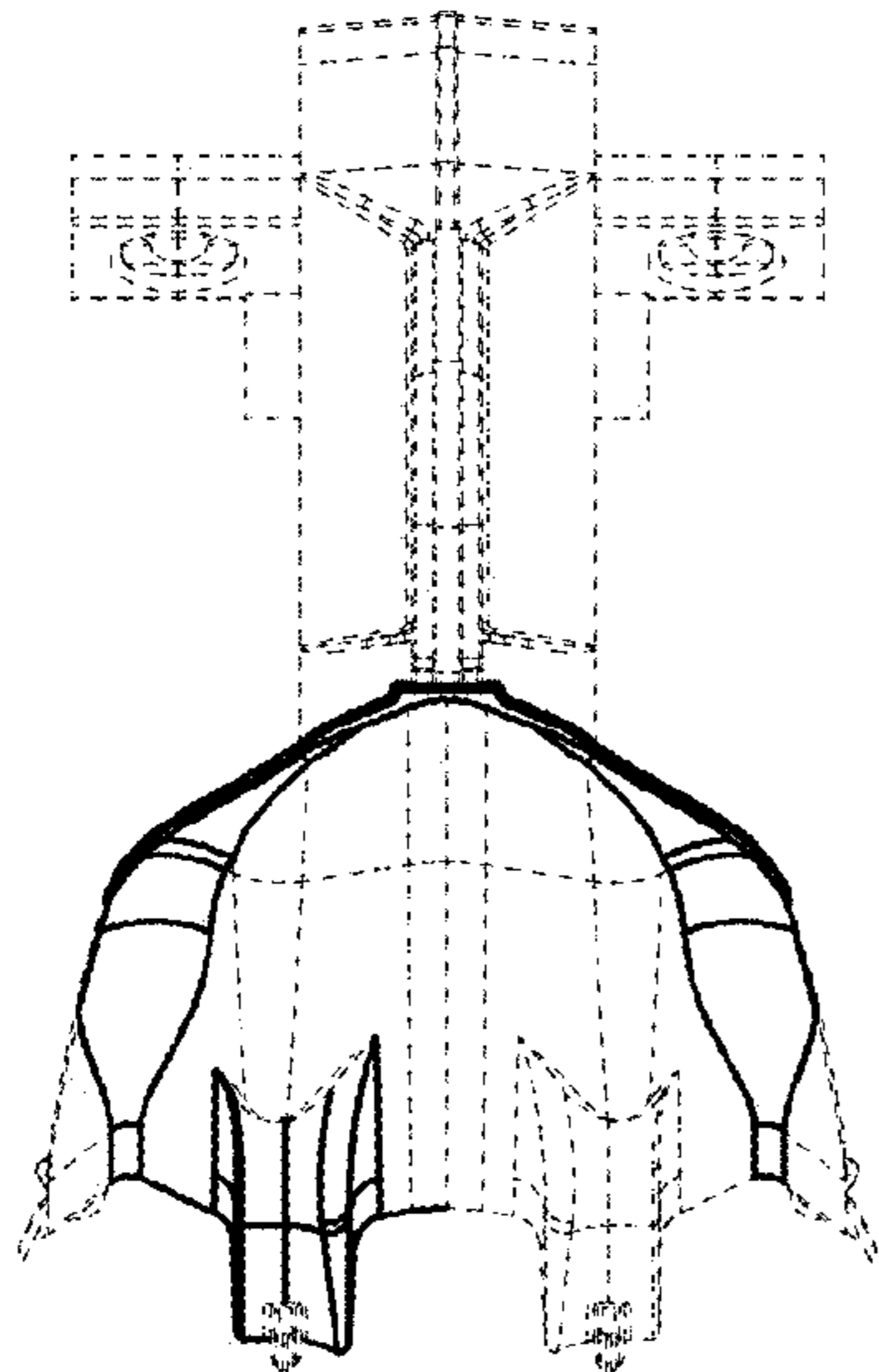


FIG. 9

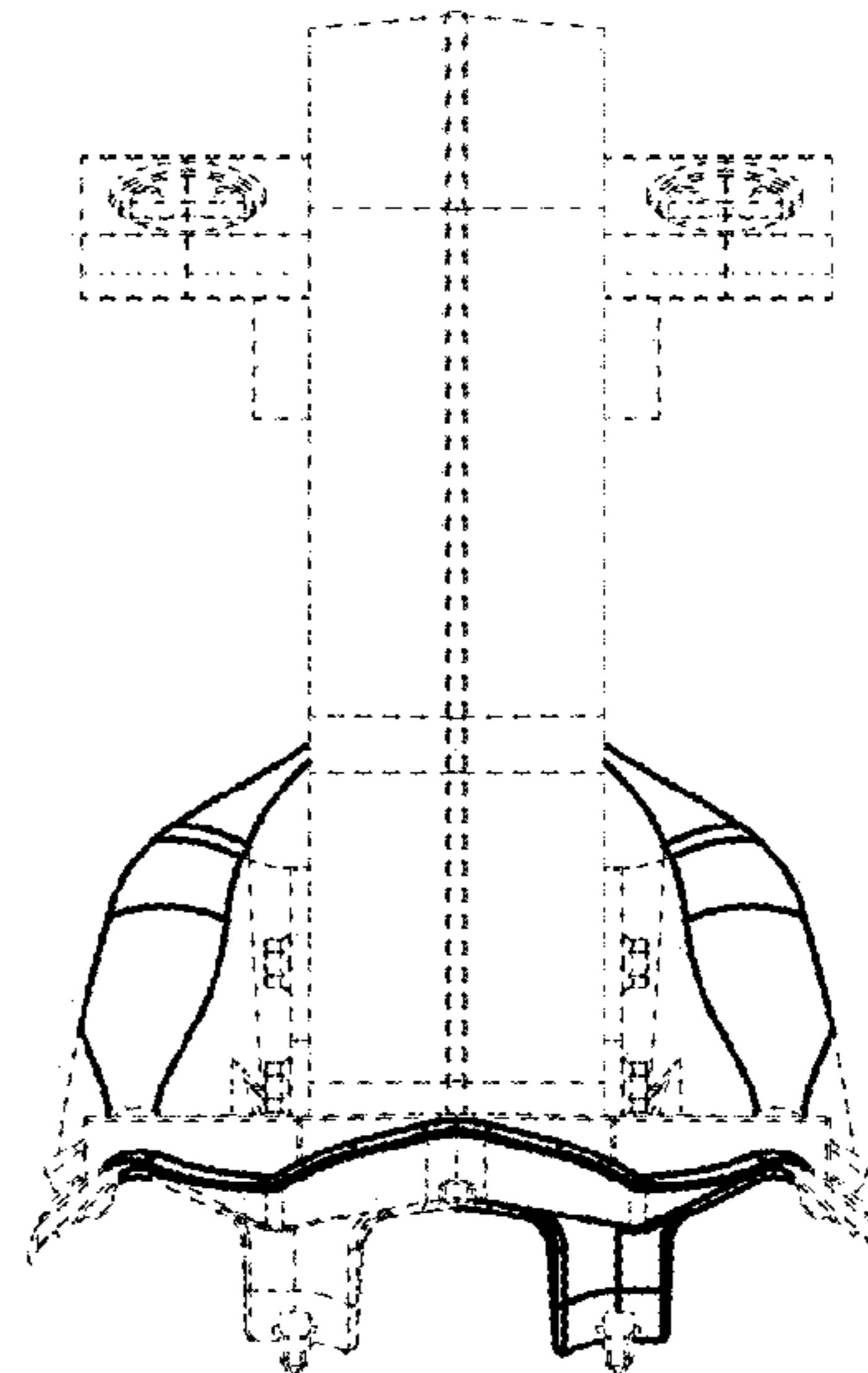


FIG. 10

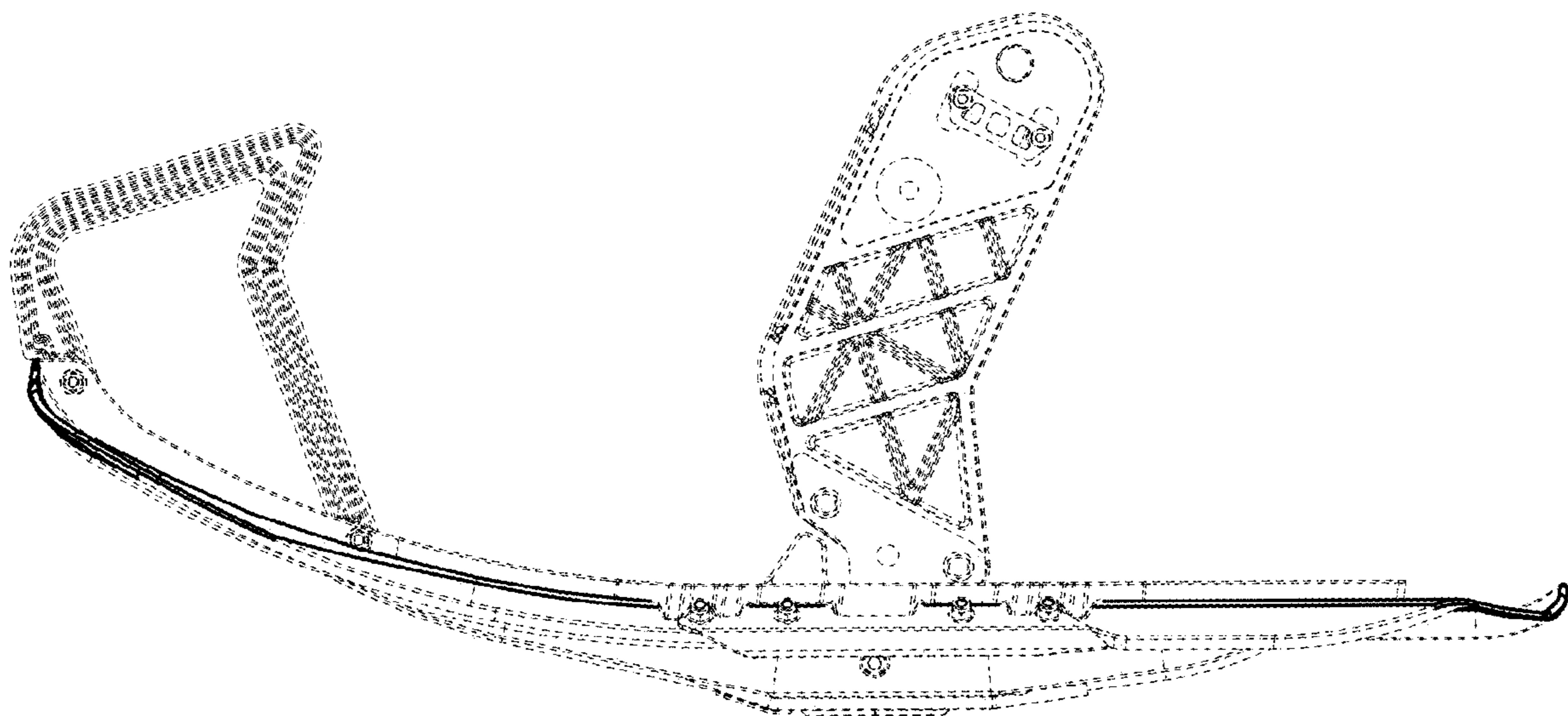


FIG. 11

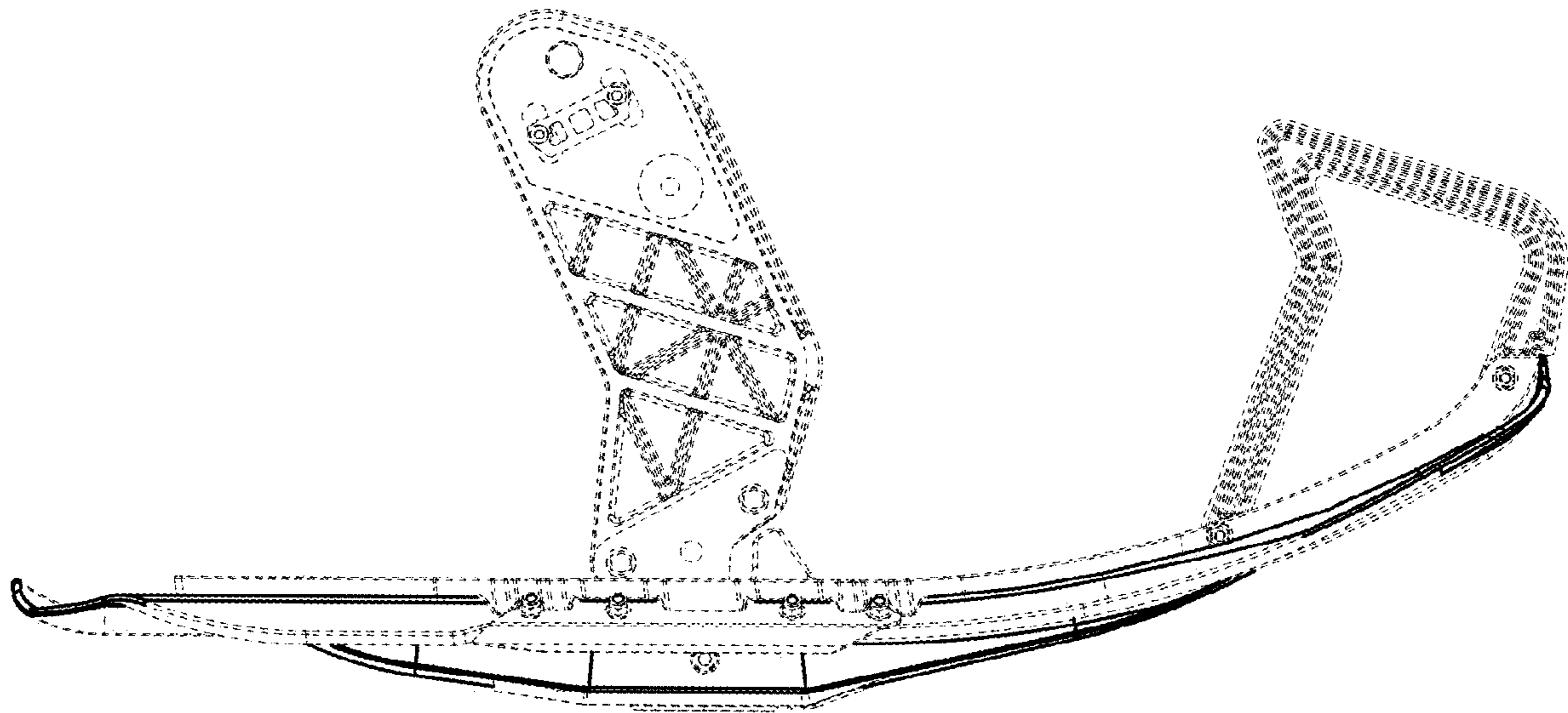


FIG. 12

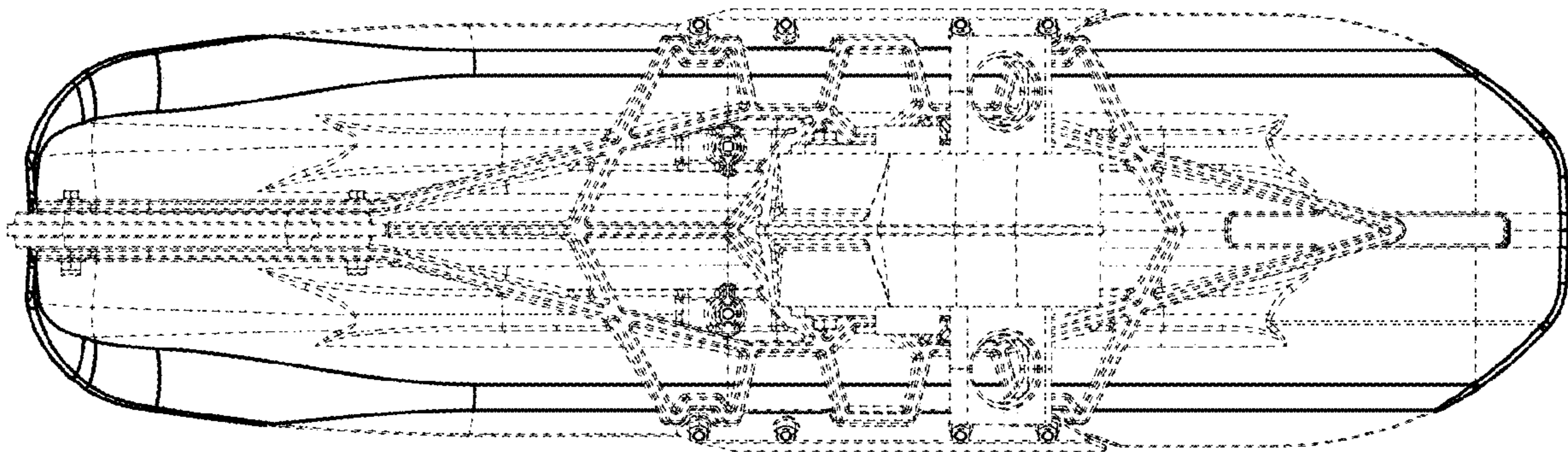


FIG. 13

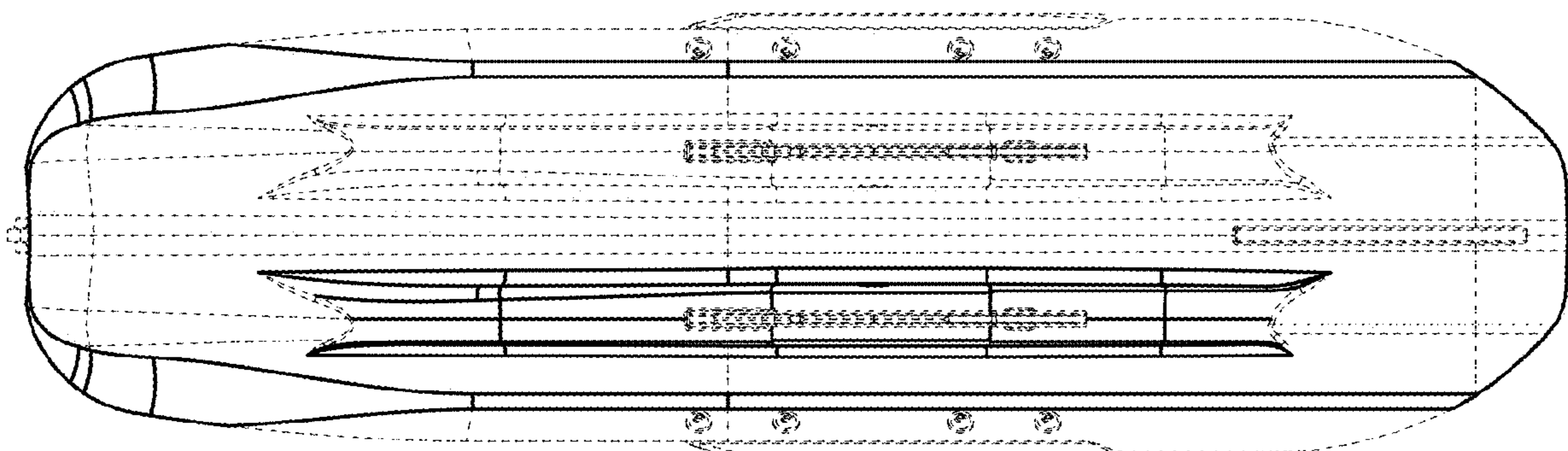


FIG. 14

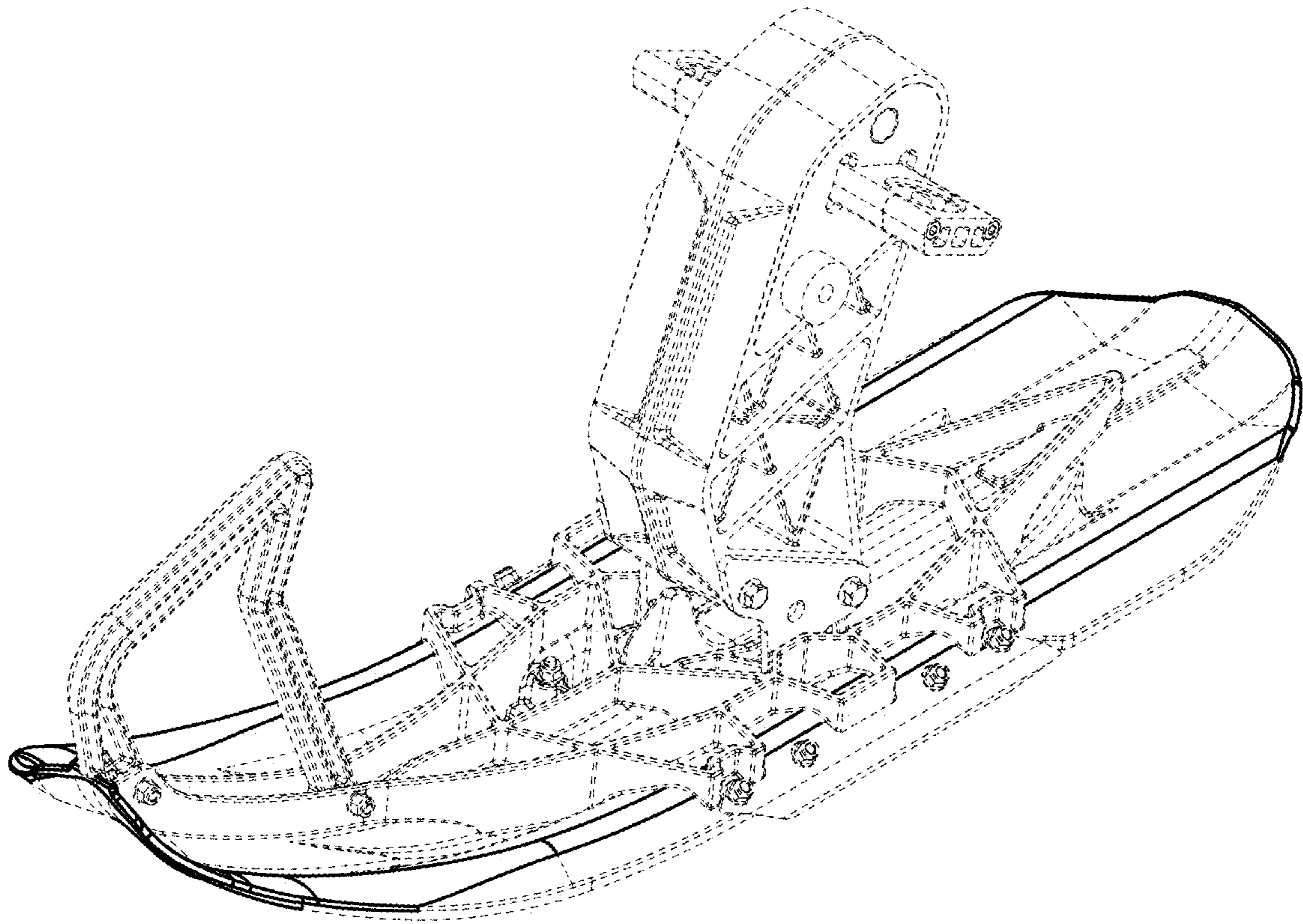


FIG. 15

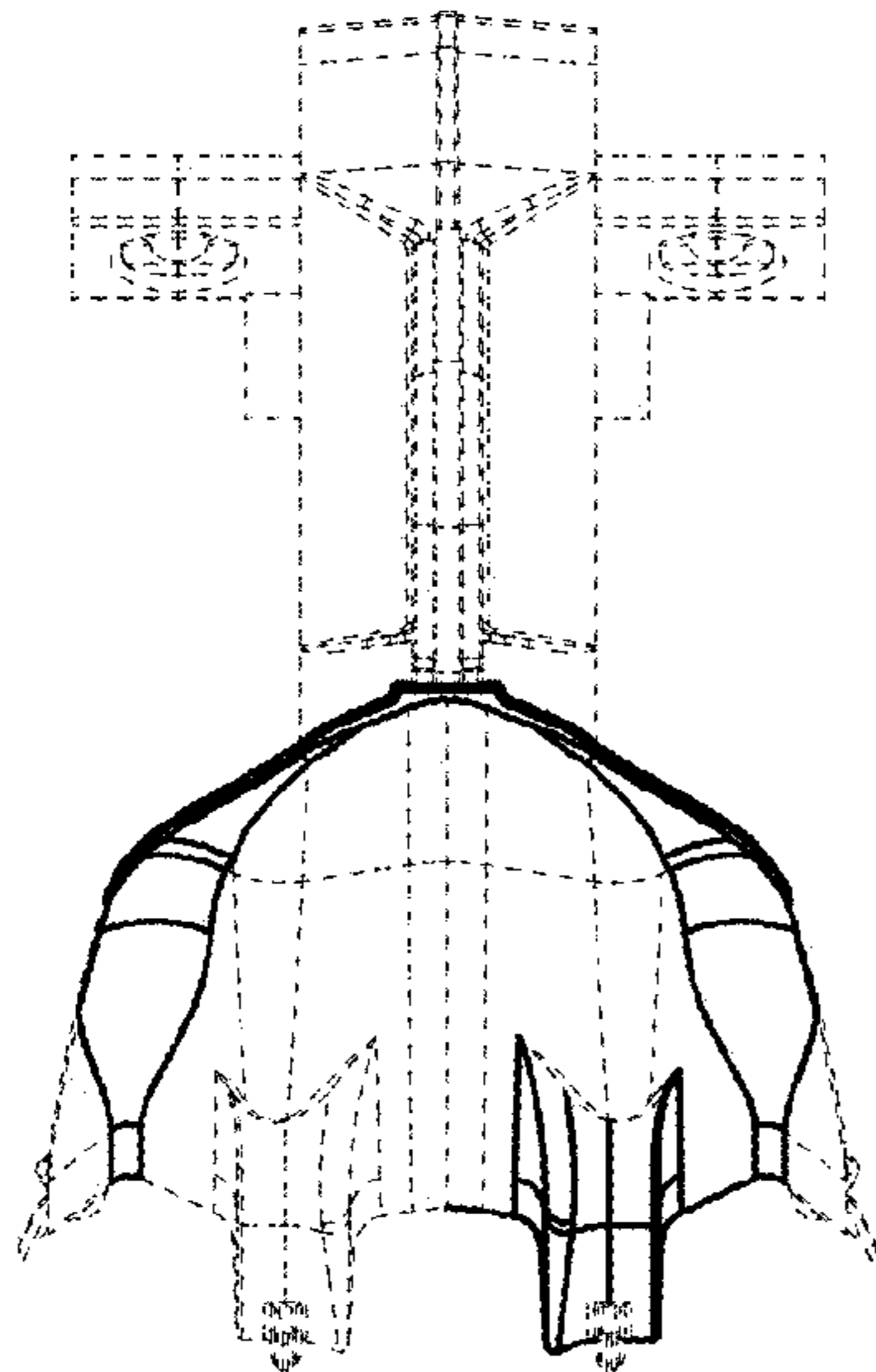


FIG. 16

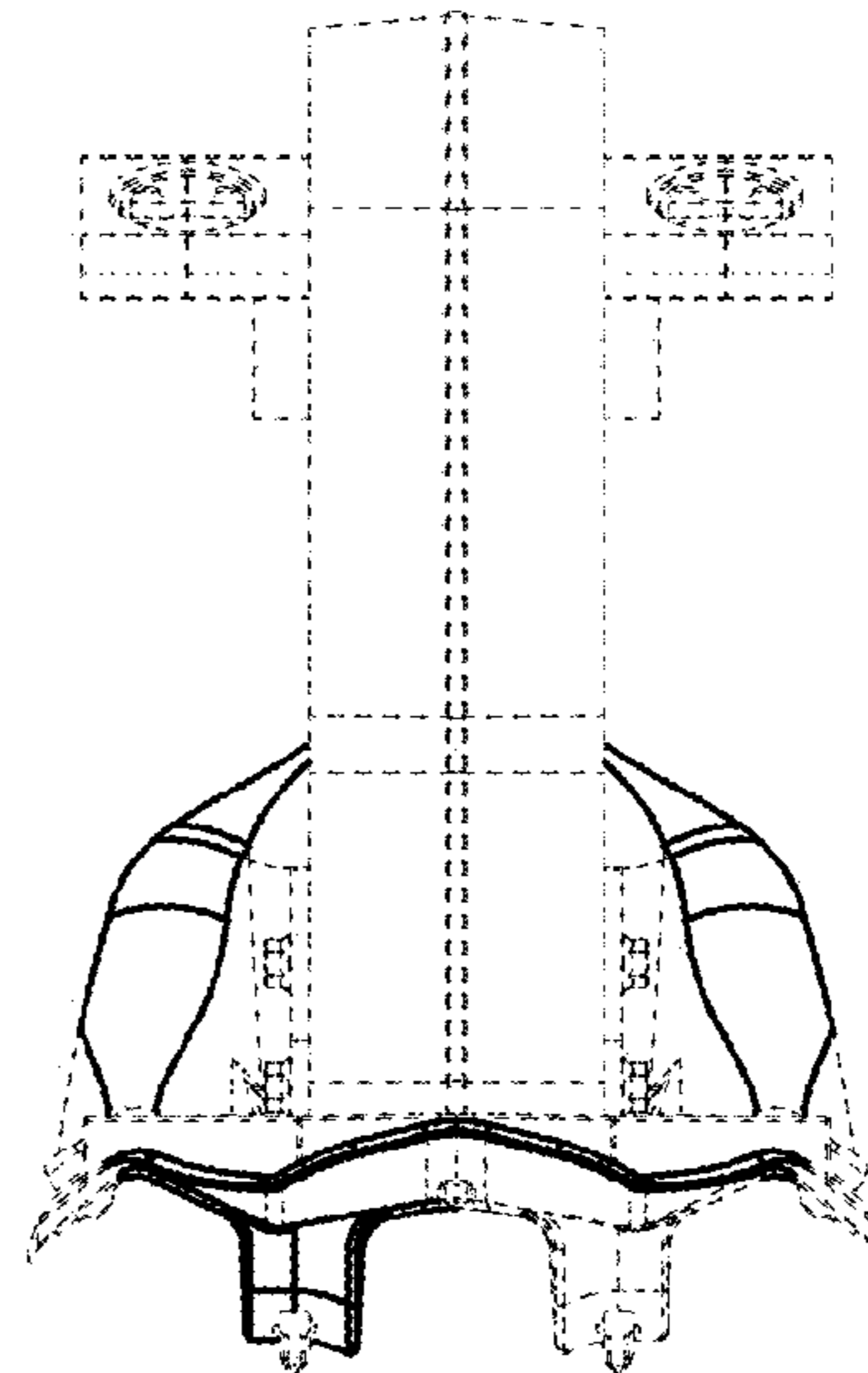


FIG. 17

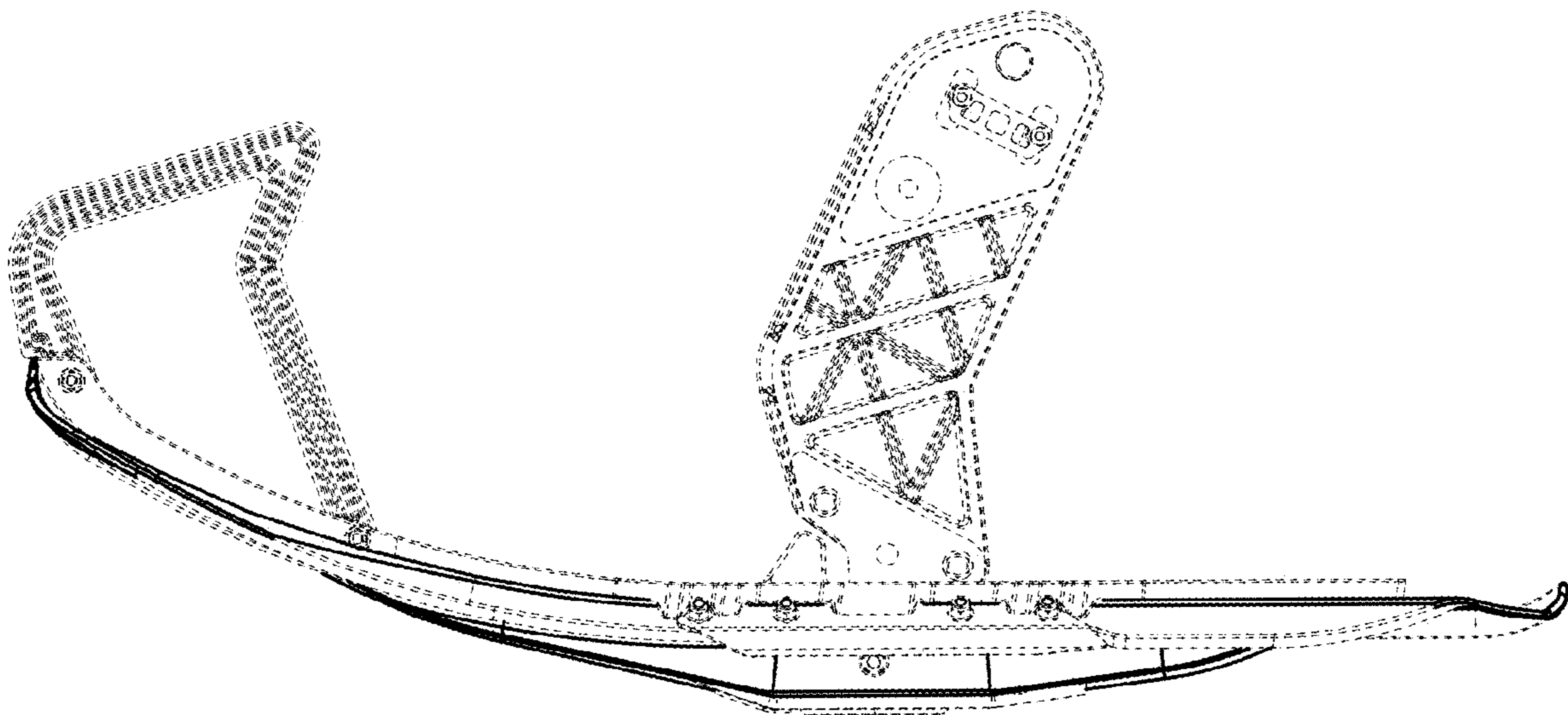


FIG. 18

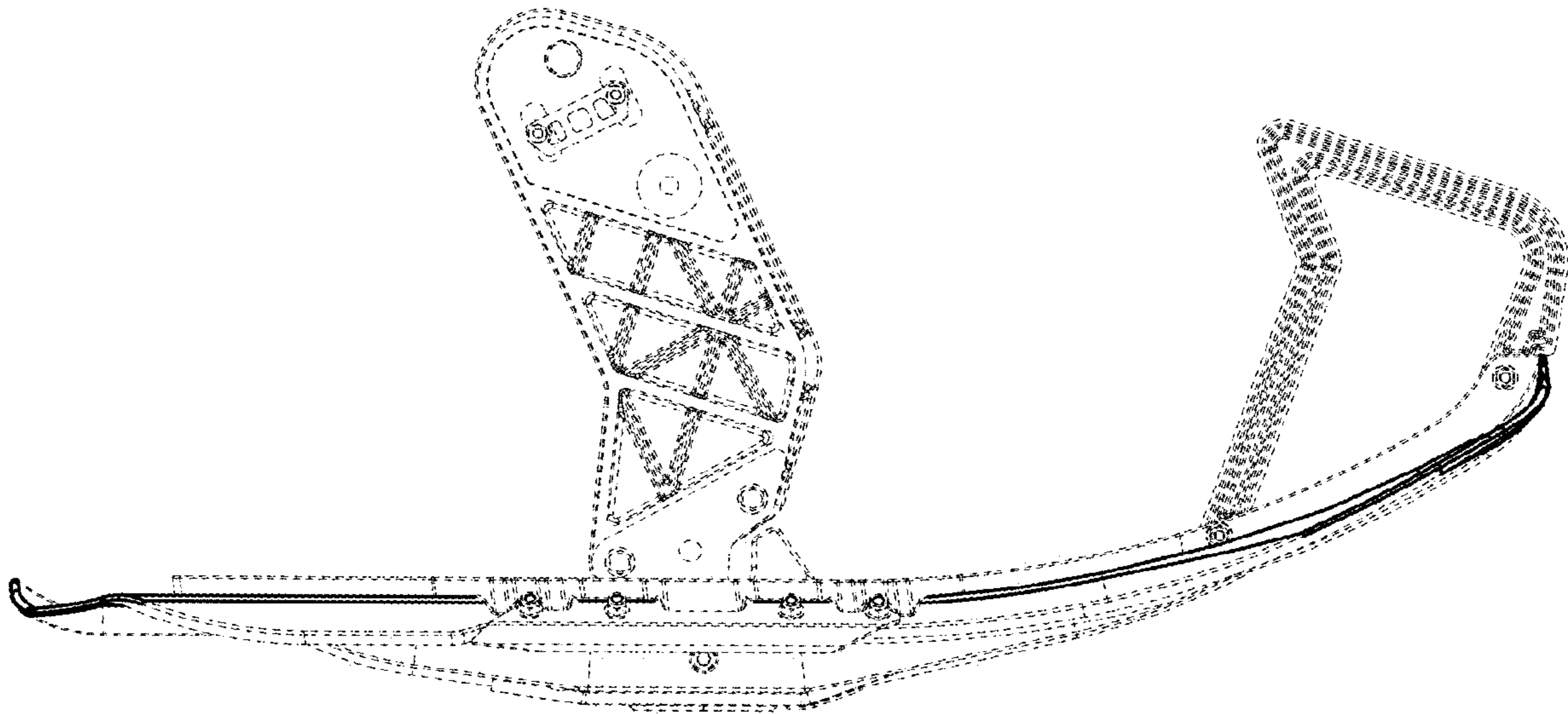


FIG. 19

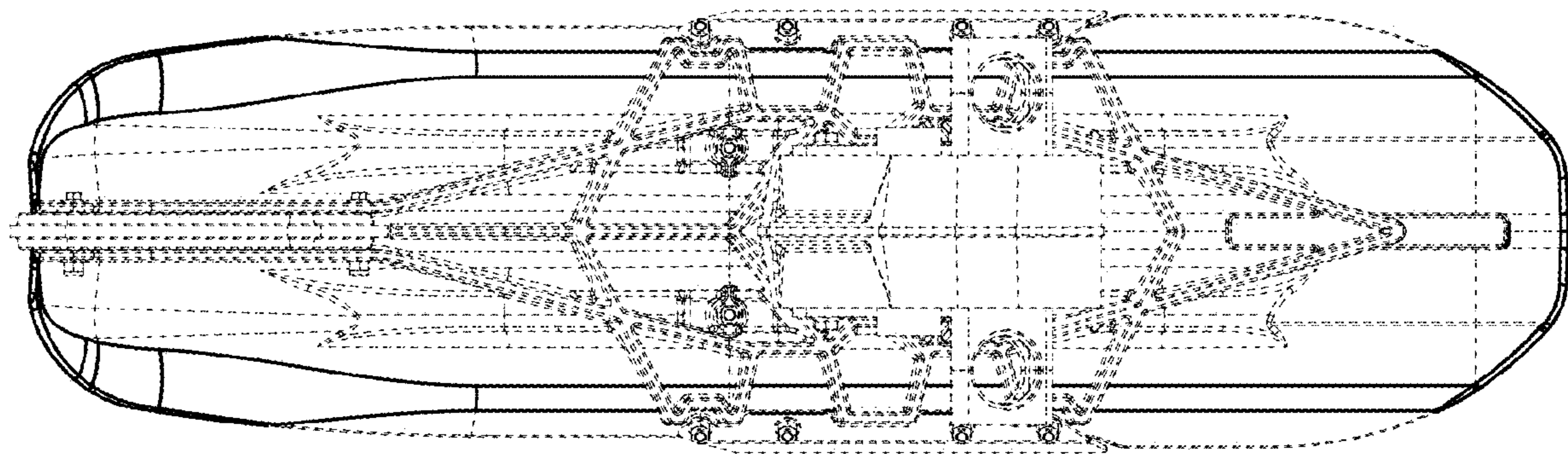


FIG. 20

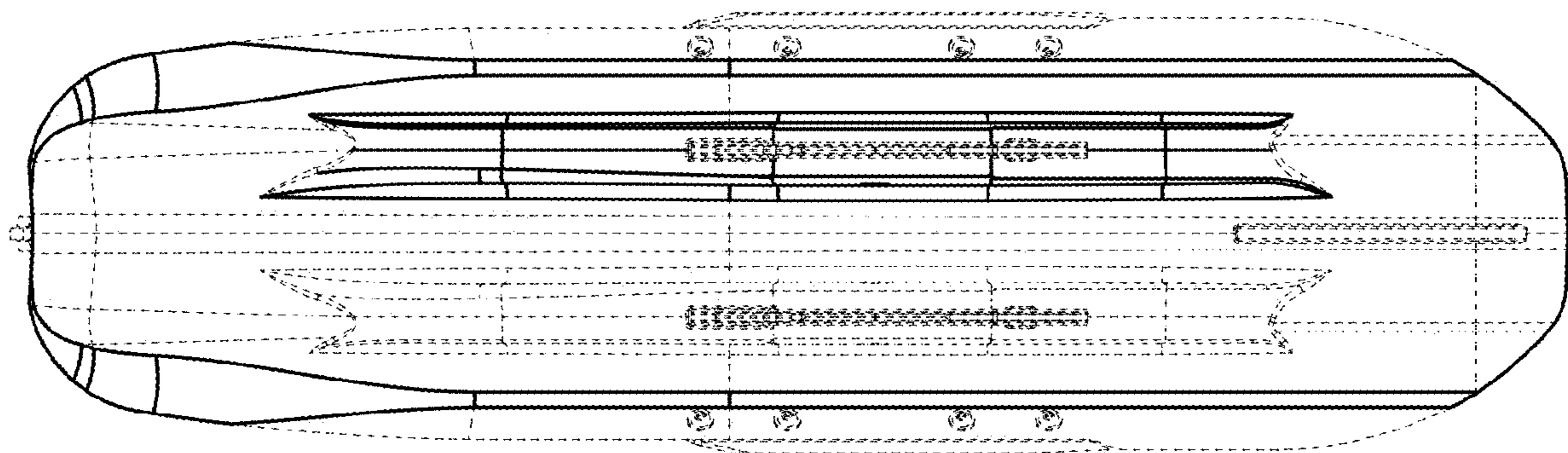


FIG. 21

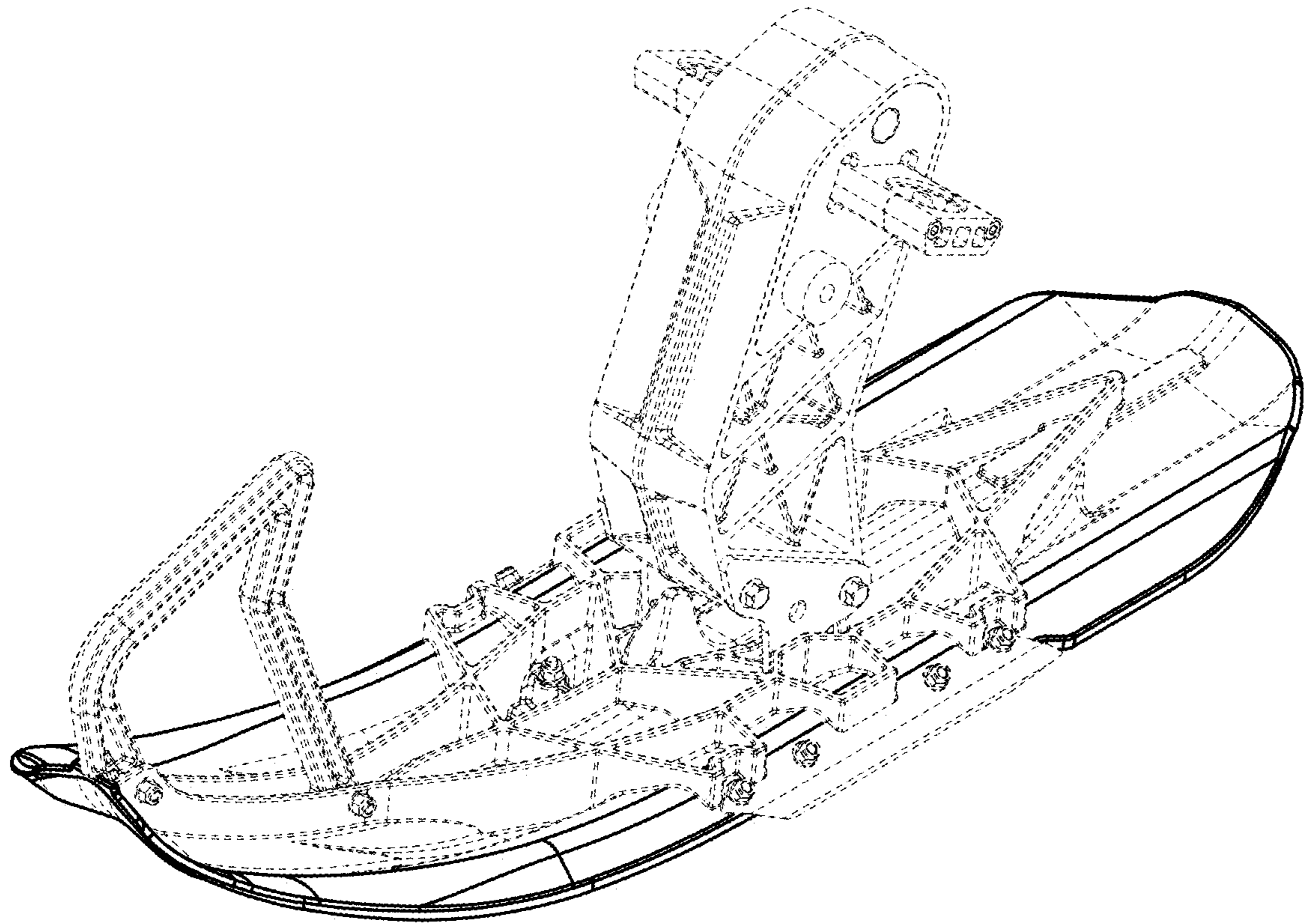


FIG. 22

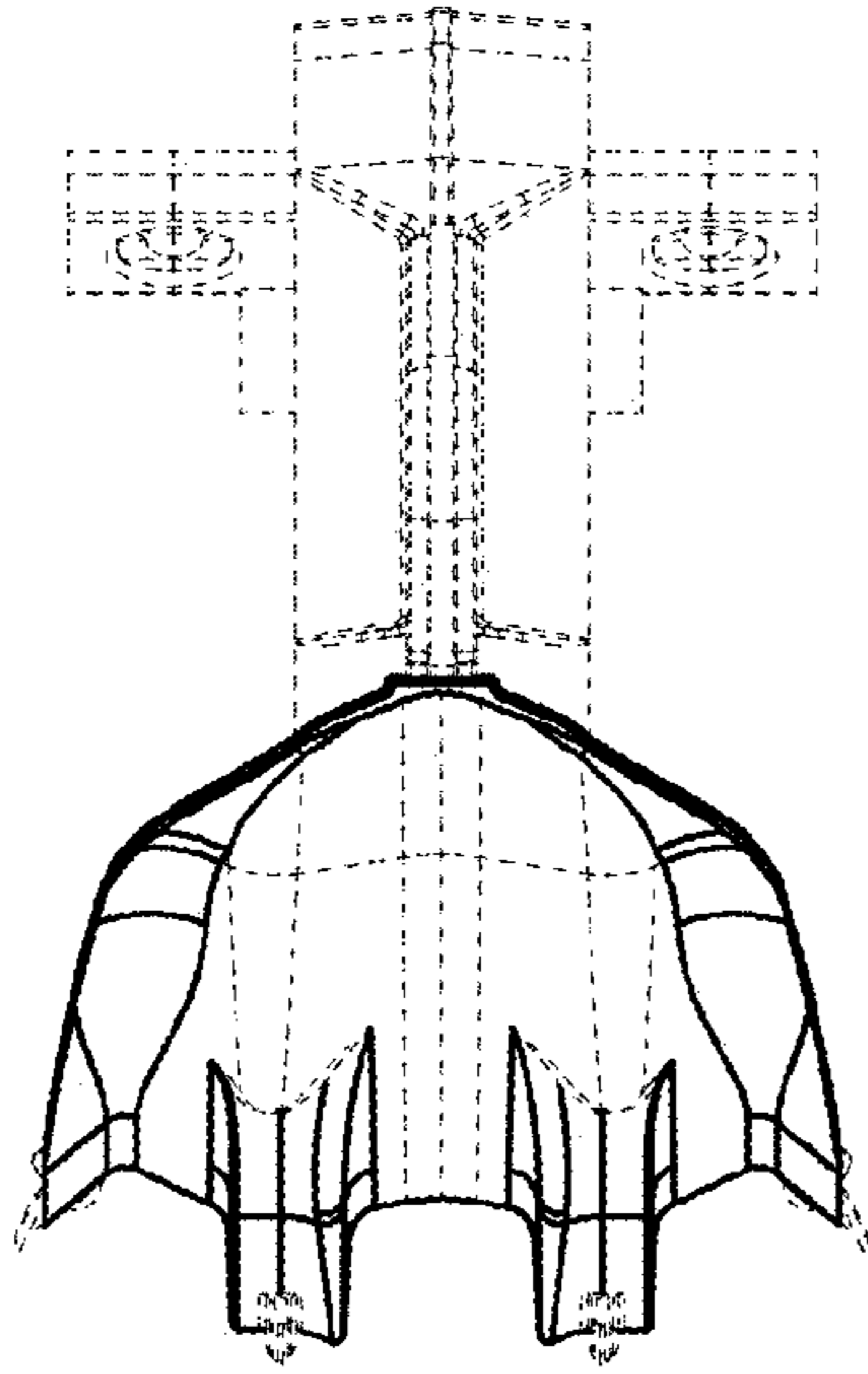


FIG. 23

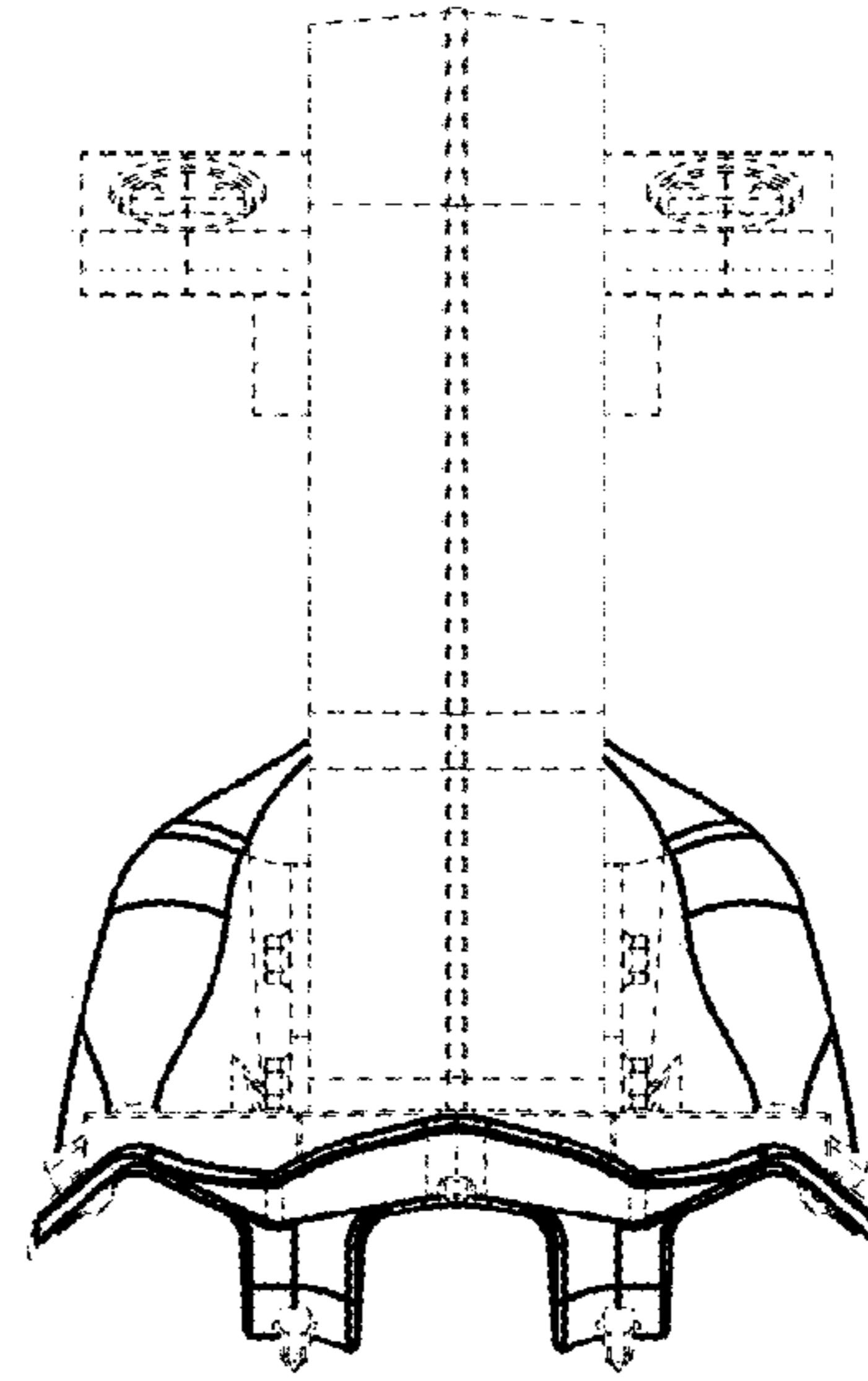


FIG. 24

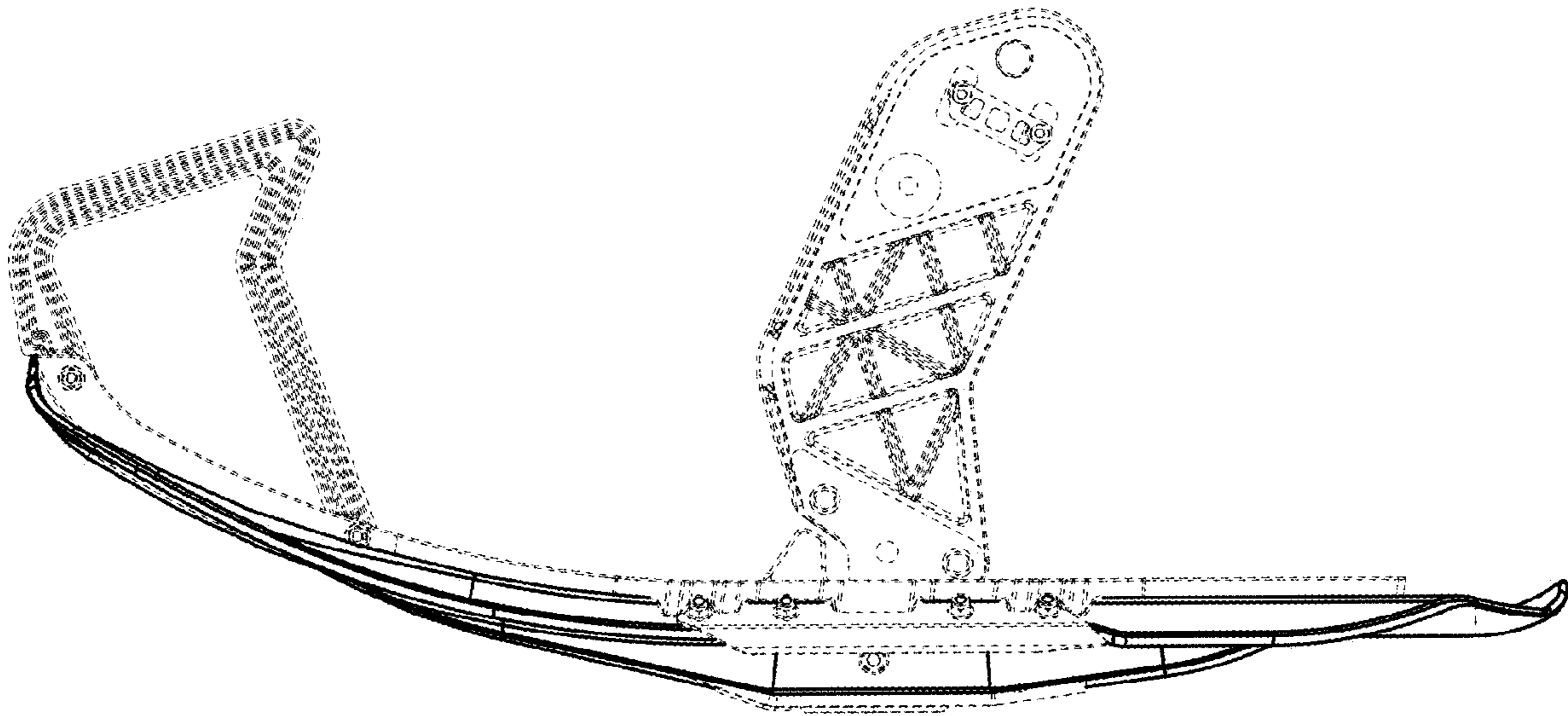


FIG. 25

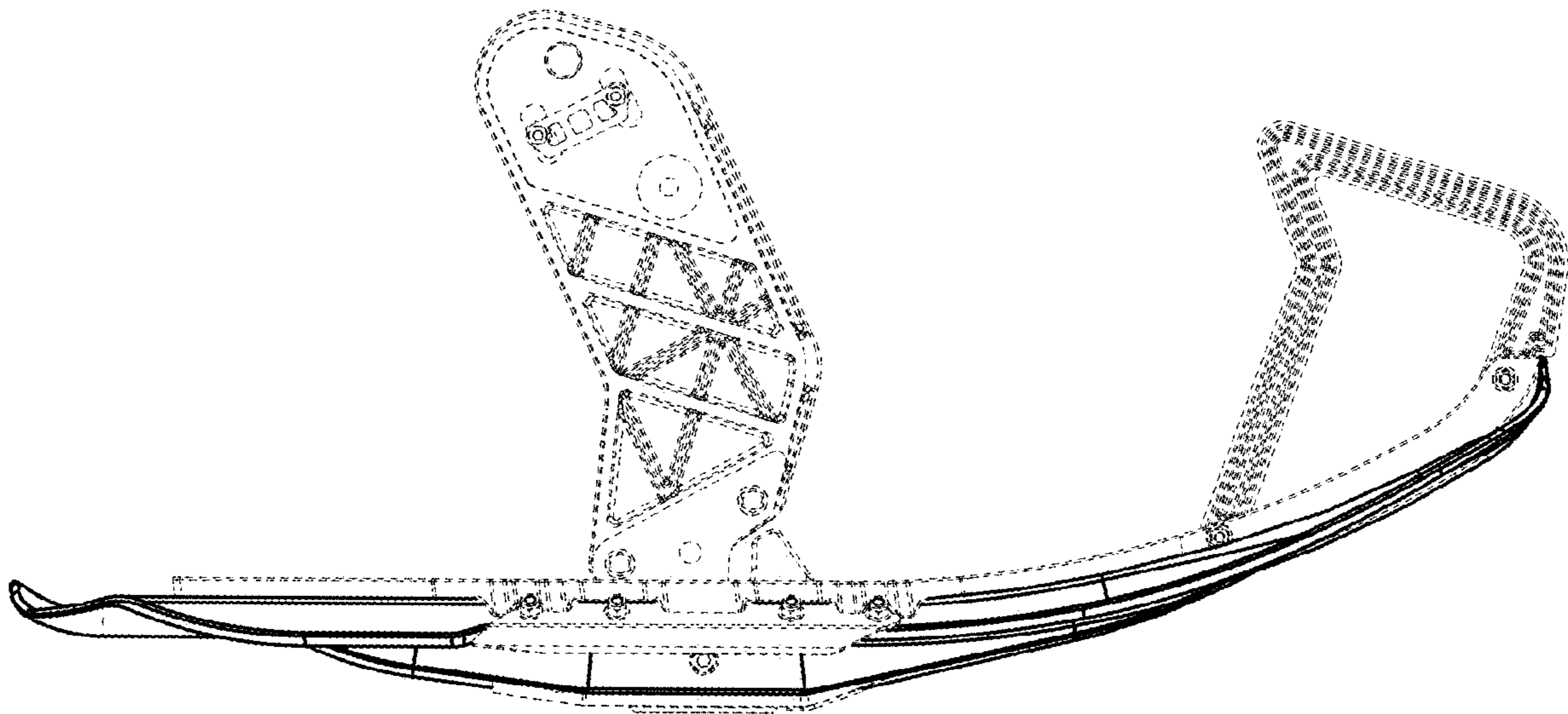


FIG. 26

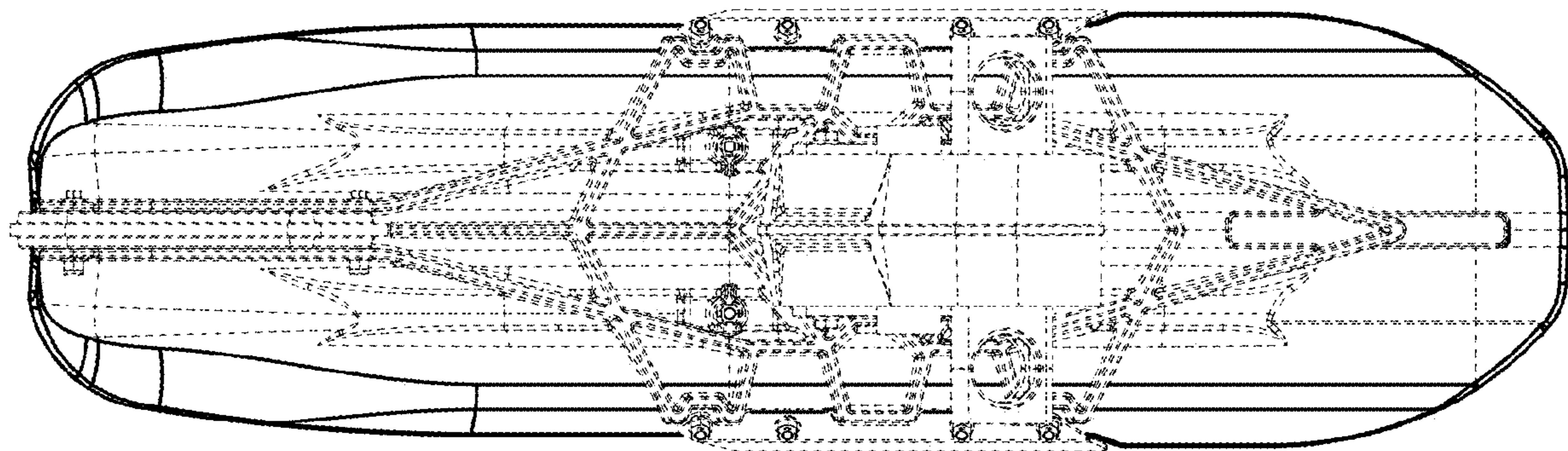


FIG. 27

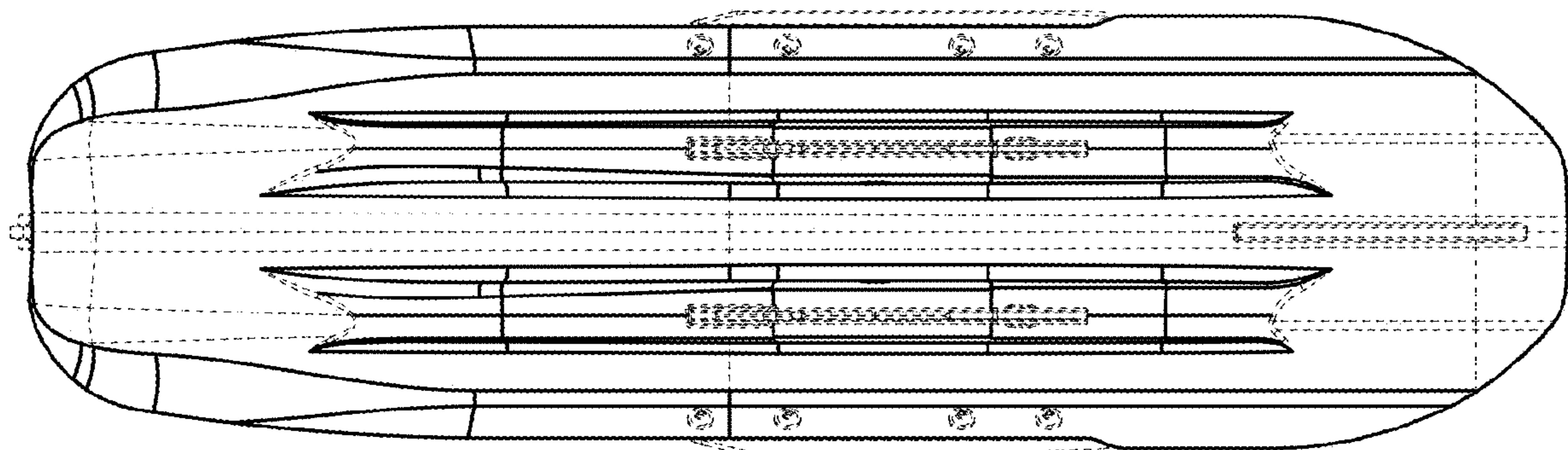


FIG. 28