



US00D976737S

(12) **United States Design Patent** (10) **Patent No.:** **US D976,737 S**  
**Wu** (45) **Date of Patent:** **\*\* \*Jan. 31, 2023**

(54) **WATCH BAND**  
(71) Applicant: **Shenzhen Xiutai Technology Co., Ltd,**  
Shenzhen (CN)  
(72) Inventor: **Xianrong Wu,** Shenzhen (CN)

D802,467 S 11/2017 Novak  
D821,246 S \* 6/2018 Akana ..... D11/3  
D828,189 S 9/2018 Benedetti  
D841,512 S \* 2/2019 Paschke ..... D11/3  
D858,515 S 9/2019 Akana et al.  
D863,095 S \* 10/2019 Akana ..... D11/3  
D865,759 S 11/2019 Haranaka et al.

(\* ) Notice: This patent is subject to a terminal disclaimer.

(Continued)

(\*\*) Term: **15 Years**

CN 305097522 \* 4/2019  
CN 306459169 \* 4/2021

(21) Appl. No.: **29/832,358**

(Continued)

(22) Filed: **Mar. 28, 2022**

FOREIGN PATENT DOCUMENTS

(51) **LOC (14) Cl.** ..... **11-01**

(52) **U.S. Cl.**  
USPC ..... **D11/3; D10/70; D14/344**

(58) **Field of Classification Search**  
USPC .... D11/1-25, 86, 87, 93, 94, 234, 235, 231;  
224/164, 175; 600/301; D10/30-39, 70,  
D10/46; 368/282, 285; D14/344;  
D24/167, 186, 187

CPC .... G04B 37/1486; G04B 37/16; G04B 37/18;  
G04B 37/00; A44C 5/14; A44C 5/0053;  
A44C 5/0069; A44C 5/0076; A44C 5/00;  
A44C 5/0007; A44C 5/0015; A44C  
5/0023; A44C 5/003; A44C 5/0061; A44C  
5/12; A44C 5/147; A44C 5/18; A44C  
5/185; A44C 5/2047; A44C 5/2052; A44B  
11/006; A44B 11/24

See application file for complete search history.

OTHER PUBLICATIONS

Craftmemore [online] URL: <https://www.amazon.com/CRAFTMEMORE-Screw-Zipper-Webbing-Sewing/dp/B093Z5C4PP> (site visited: Aug. 5, 2022) (Year: 2021).\*

(Continued)

*Primary Examiner* — Jae Liang  
*Assistant Examiner* — Tia Ruth-Renee Polidori  
(74) *Attorney, Agent, or Firm* — Rumit Ranjit Kanakia

(56) **References Cited**

U.S. PATENT DOCUMENTS

D141,753 S \* 7/1945 Du Bois ..... D11/3  
D727,197 S \* 4/2015 Akana ..... D11/3  
D737,157 S \* 8/2015 Akana ..... D10/70  
D744,356 S \* 12/2015 Akana ..... D10/70  
D779,993 S \* 2/2017 Akana ..... D11/3  
D795,121 S \* 8/2017 Akana ..... D11/3  
D802,465 S 11/2017 Dukerschein et al.

(57) **CLAIM**

The ornamental design for a watch band, as shown and described.

**DESCRIPTION**

FIG. 1 is a front perspective view of a watch band showing my new design;  
FIG. 2 is a front view thereof;  
FIG. 3 is a back view thereof;  
FIG. 4 is a left-side view thereof;  
FIG. 5 is a right-side view thereof;  
FIG. 6 is a top view thereof; and,  
FIG. 7 is a bottom view thereof.  
The portions of the watch band shown in broken lines form no part of the claimed design.

**1 Claim, 7 Drawing Sheets**



(56)

References Cited

U.S. PATENT DOCUMENTS

10,463,118 B1 \* 11/2019 Qin ..... F16B 1/00  
 D881,059 S \* 4/2020 Schowalter ..... D11/3  
 D883,840 S \* 5/2020 Schowalter ..... D11/3  
 D898,603 S 10/2020 Nauroy  
 D902,769 S \* 11/2020 Riot ..... D14/344  
 D904,921 S \* 12/2020 Chung ..... D14/344  
 D909,227 S \* 2/2021 Riot ..... D11/3  
 D914,530 S \* 3/2021 Riot ..... D11/3  
 D921,516 S \* 6/2021 Ouyang ..... D11/3  
 11,033,082 B1 \* 6/2021 Riot ..... A44C 5/147  
 D938,850 S \* 12/2021 Akana ..... D11/3  
 D940,582 S \* 1/2022 Akana ..... D11/3  
 D945,301 S \* 3/2022 Chen ..... D11/3  
 D960,153 S \* 8/2022 Wu ..... D14/344  
 D961,437 S \* 8/2022 Tian ..... D11/3  
 D962,234 S \* 8/2022 He ..... D14/344  
 11,419,394 B2 \* 8/2022 Chen ..... A44C 5/14  
 D963,504 S \* 9/2022 Yu ..... D11/3

FOREIGN PATENT DOCUMENTS

CN 306927436 \* 11/2021  
 CN 306971590 \* 11/2021

CN 307000796 \* 12/2021  
 CN 307158271 \* 3/2022  
 CN 307435153 \* 7/2022  
 CN 307555213 \* 9/2022  
 CN 307579706 \* 10/2022  
 CN 307579709 \* 10/2022  
 CN 307579721 \* 10/2022  
 CN 307607824 \* 10/2022

OTHER PUBLICATIONS

Etsy [online] URL: <https://www.etsy.com/listing/1220625335/belt-tip-end-strap-tip-keeper-for-34> (site visited: Aug. 5, 2022) (Year: 2022).\*

Shein [online] URL: <https://us.shein.com/Universal-Silicone-Smart-Watch-Band-p-10728111-cat-2781.html> (site visited: Aug. 5, 2022) (Year: 2022).\*

Sport Watch [online] URL: <https://www.walmart.ca/en/ip/Sport-Watch-Band-Compatible-with-Watch-38-40mm-Soft-Silicone-Replacement-Sport-Strap-Compatible-with-iWatch-Series-5-4-3-2-1-S-M-M-L/7BG200JH2XS2> (site visited: Aug. 5, 2022) (Year: 2022).\*

\* cited by examiner

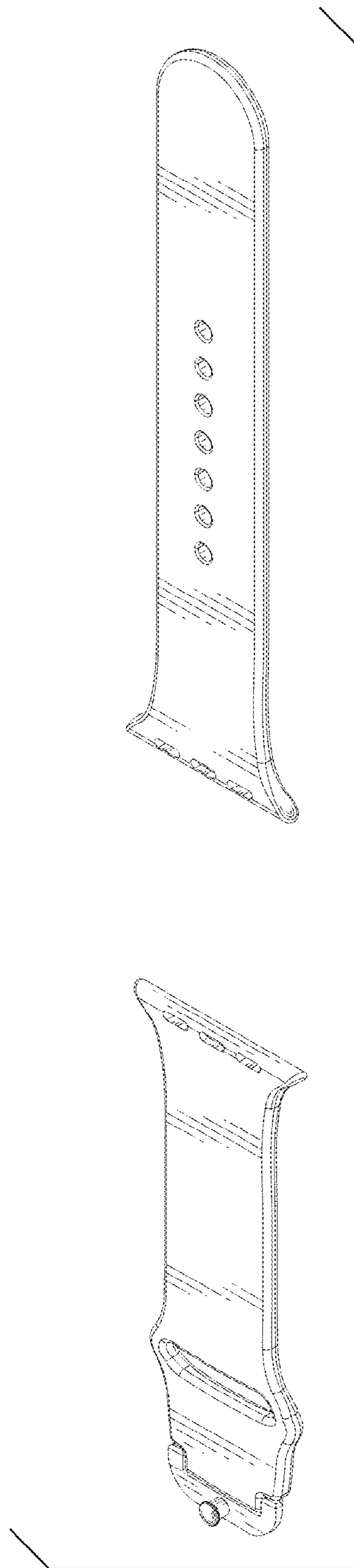


FIG. 1

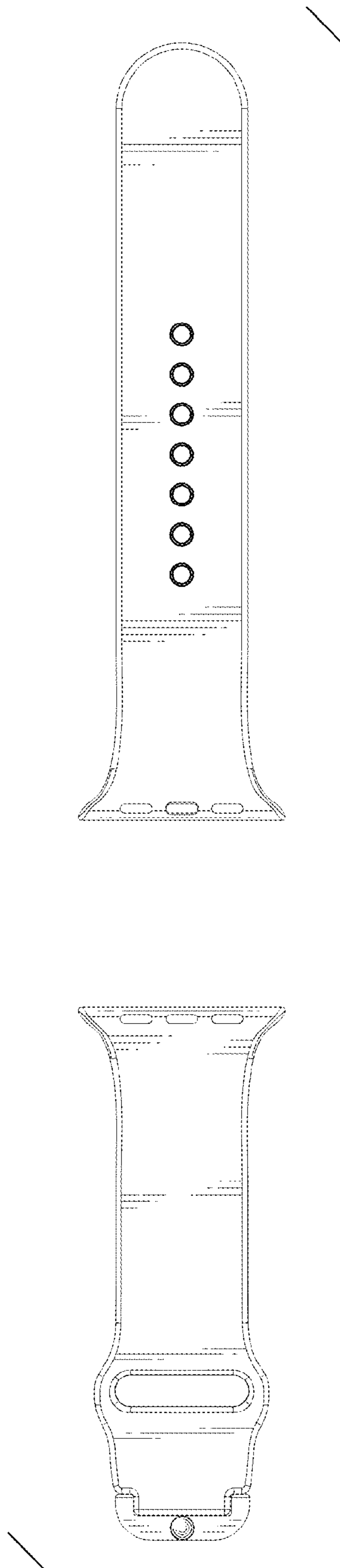


FIG. 2

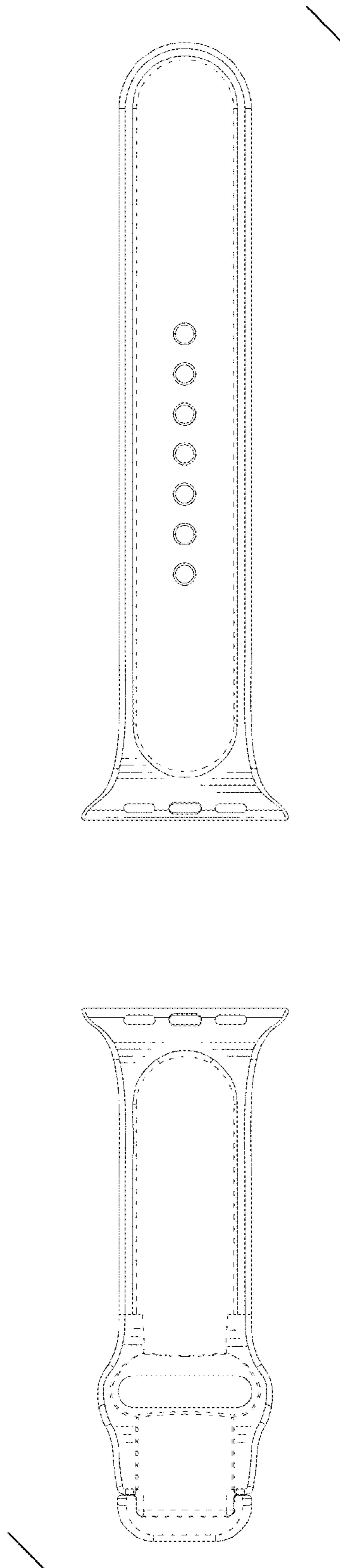


FIG. 3

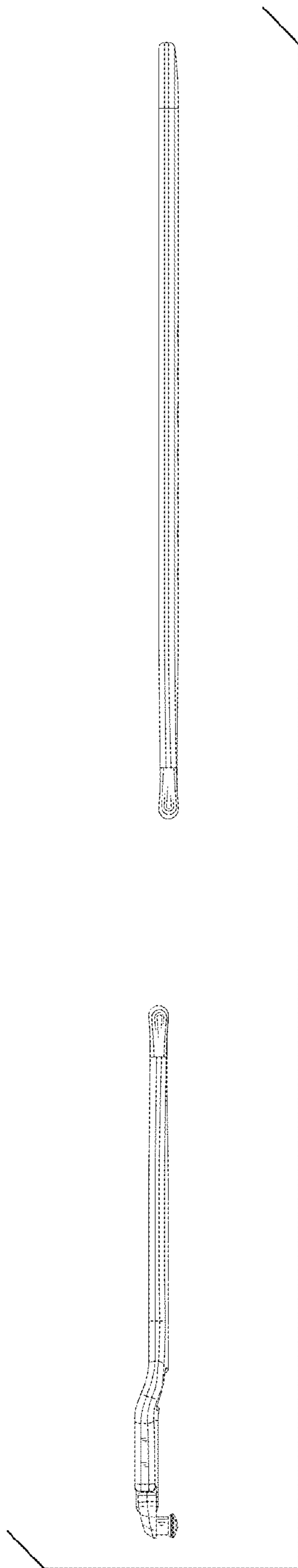


FIG. 4

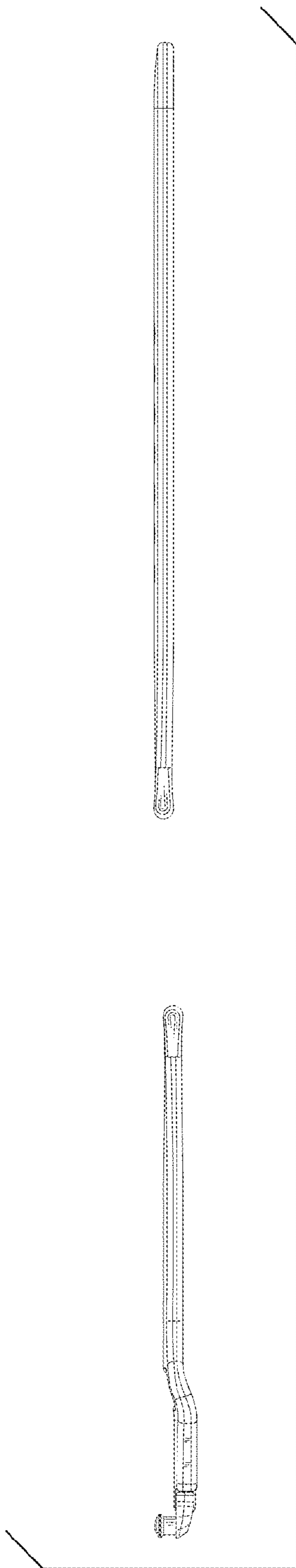


FIG. 5

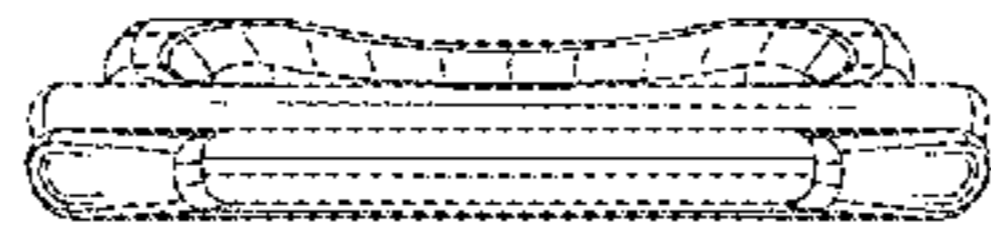


FIG. 6





FIG. 7