



US00D976736S

(12) **United States Design Patent**
Yang

(10) **Patent No.:** **US D976,736 S**
(45) **Date of Patent:** **** Jan. 31, 2023**

(54) **WATCHBAND HAVING TOOL-FREE ADJUSTMENT**

FOREIGN PATENT DOCUMENTS

(71) Applicant: **Shenzhen Xingyi Technology Co., Ltd.**, Shenzhen (CN)

CN 306530070 * 5/2021
KR 301005660.0000 * 5/2019

(72) Inventor: **Zhou Yang**, Shenzhen (CN)

OTHER PUBLICATIONS

(**) Term: **15 Years**

Eply Compatible with Apple Watch Band, available Jun. 19, 2019, online, site visited Nov. 3, 2022. Available online, URL: <https://www.amazon.com/EPULY-Compatible-Business-Stainless-Wristband/dp/B07TC5T515/> (Year: 2019).*

(21) Appl. No.: **29/820,439**

(Continued)

(22) Filed: **Dec. 22, 2021**

(51) **LOC (14) Cl.** **10-07**

Primary Examiner — W. A. Teddy Falloway

(52) **U.S. Cl.**

Assistant Examiner — Sarah J Ault

USPC **D11/3**

(74) *Attorney, Agent, or Firm* — Rumit Ranjit Kanakia

(58) **Field of Classification Search**

USPC D11/3–13, 19; D14/344; D10/32
CPC A44C 5/00; A44C 5/0053; A44C 5/0069;
A44C 5/0076; A44C 5/02; A44C 5/025;
A44C 5/12; A44C 5/14; A44C 5/18;
A44C 15/0015

(57) **CLAIM**

The ornamental design for a watchband having tool-free adjustment, as shown and described.

See application file for complete search history.

DESCRIPTION

(56) **References Cited**

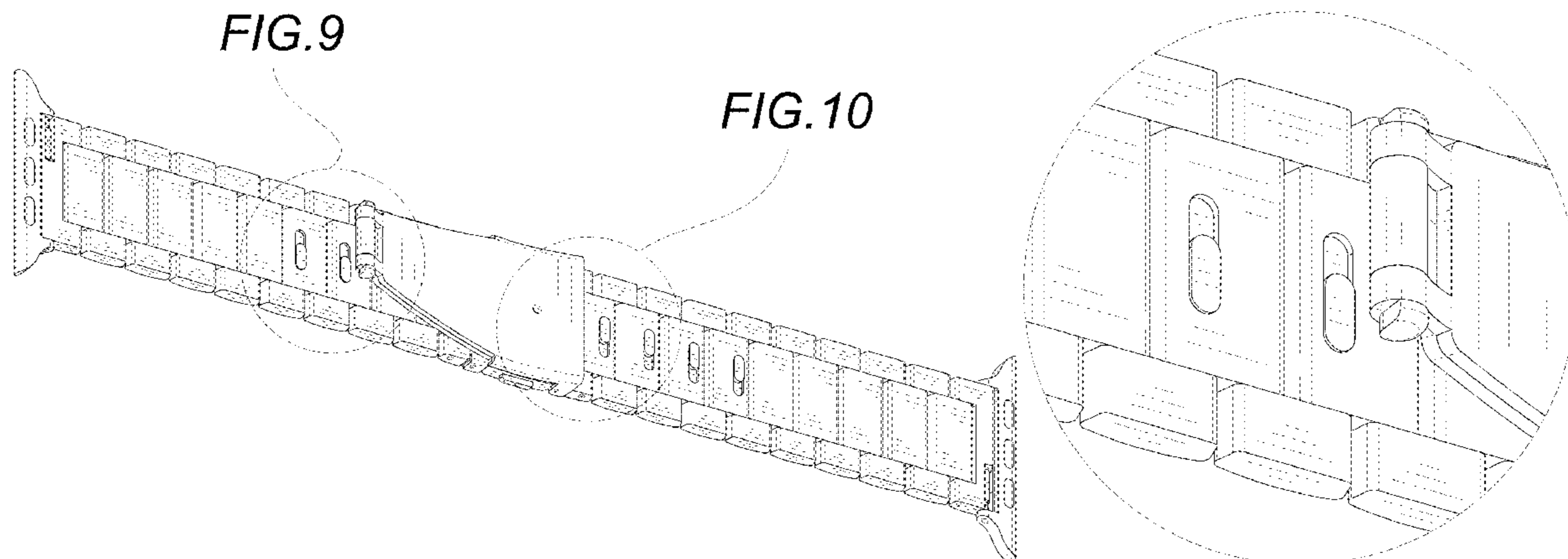
U.S. PATENT DOCUMENTS

- 2,079,400 A * 5/1937 Einsele A44C 5/02
63/11
- D286,516 S * 11/1986 Chodat D11/21
- D400,469 S 11/1998 Chickillo
- D405,711 S * 2/1999 Feuvrier D11/19
- D422,526 S * 4/2000 Gueit D11/25
- D443,214 S * 6/2001 Bodino D10/32
- 6,374,590 B1 * 4/2002 Walch A44C 5/107
63/4
- D467,827 S 12/2002 Bach
- D471,126 S * 3/2003 Galvani D11/3
- D471,482 S * 3/2003 Galvani D11/3
- D489,281 S 5/2004 Hill
- D489,282 S 5/2004 Hill
- D528,033 S 9/2006 Hill

FIG. 1 is a perspective view of a watchband having tool-free adjustment showing my new design;
FIG. 2 is another perspective view thereof;
FIG. 3 is a front elevational view thereof;
FIG. 4 is a rear elevational view thereof;
FIG. 5 is a left side view thereof;
FIG. 6 is a right side view thereof;
FIG. 7 is a top plan view thereof;
FIG. 8 is a bottom plan view thereof;
FIG. 9 is a partial enlarged view of FIG. 2; and,
FIG. 10 is another partial enlarged view of FIG. 2.
The broken-line circle, which illustrates the boundary of the enlarged view shown in FIGS. 2, 9 and 10, and the broken-line are in FIG. 2, together represent a detail callout. All other broken lines illustrate portions of the watchband. The broken lines form no part of the claimed design.

(Continued)

1 Claim, 6 Drawing Sheets



(56)

References Cited

U.S. PATENT DOCUMENTS

7,146,793 B1 * 12/2006 Hyun A44C 5/107
63/4
D548,637 S * 8/2007 Scarinzi D10/32
D549,113 S * 8/2007 Duong D10/32
D706,158 S * 6/2014 Rabassa D11/3
D714,177 S * 9/2014 Graff D11/3
D735,069 S * 7/2015 Paradise D14/344
D739,289 S * 9/2015 Cerrato D11/3
D760,603 S * 7/2016 Soares D10/39
D760,604 S * 7/2016 Dupont D10/126
D761,130 S * 7/2016 Soares D10/126
D761,688 S * 7/2016 Akana D11/94
D764,964 S * 8/2016 Akana D11/94
D769,764 S * 10/2016 Mille D11/3
D779,992 S * 2/2017 Akana D11/3
D830,884 S * 10/2018 Akana D11/94
D839,120 S 1/2019 Hou
D879,643 S 3/2020 Deng
D879,646 S 3/2020 Lin
D885,231 S * 5/2020 Laucella D11/3

D900,641 S * 11/2020 Park D10/32
D909,904 S 2/2021 Koyama
D913,141 S * 3/2021 Li D11/3
D921,516 S 6/2021 Ouyang
D929,884 S * 9/2021 Yi D11/3
D932,332 S * 10/2021 Akana D11/3
D958,673 S * 7/2022 Gao D10/32
D964,877 S * 9/2022 Li D11/3
D966,132 S * 10/2022 Wu D10/70
2013/0152542 A1 * 6/2013 Kaltenrieder A44C 5/02
59/82
2017/0265607 A1 * 9/2017 Hatanaka G04B 37/1486
2020/0323315 A1 * 10/2020 Lui A44C 5/14
2020/0323316 A1 * 10/2020 Lui D04C 1/06

OTHER PUBLICATIONS

HOPO Compatible With Apple Watch Band, available May 28, 2021, online, site visited Nov. 3, 2022. Available online, URL: <https://www.amazon.com/HOPO-Apple-Watch-Replacement-Tortoiseshell/dp/B0963XVW3L/> (Year: 2021).*

* cited by examiner

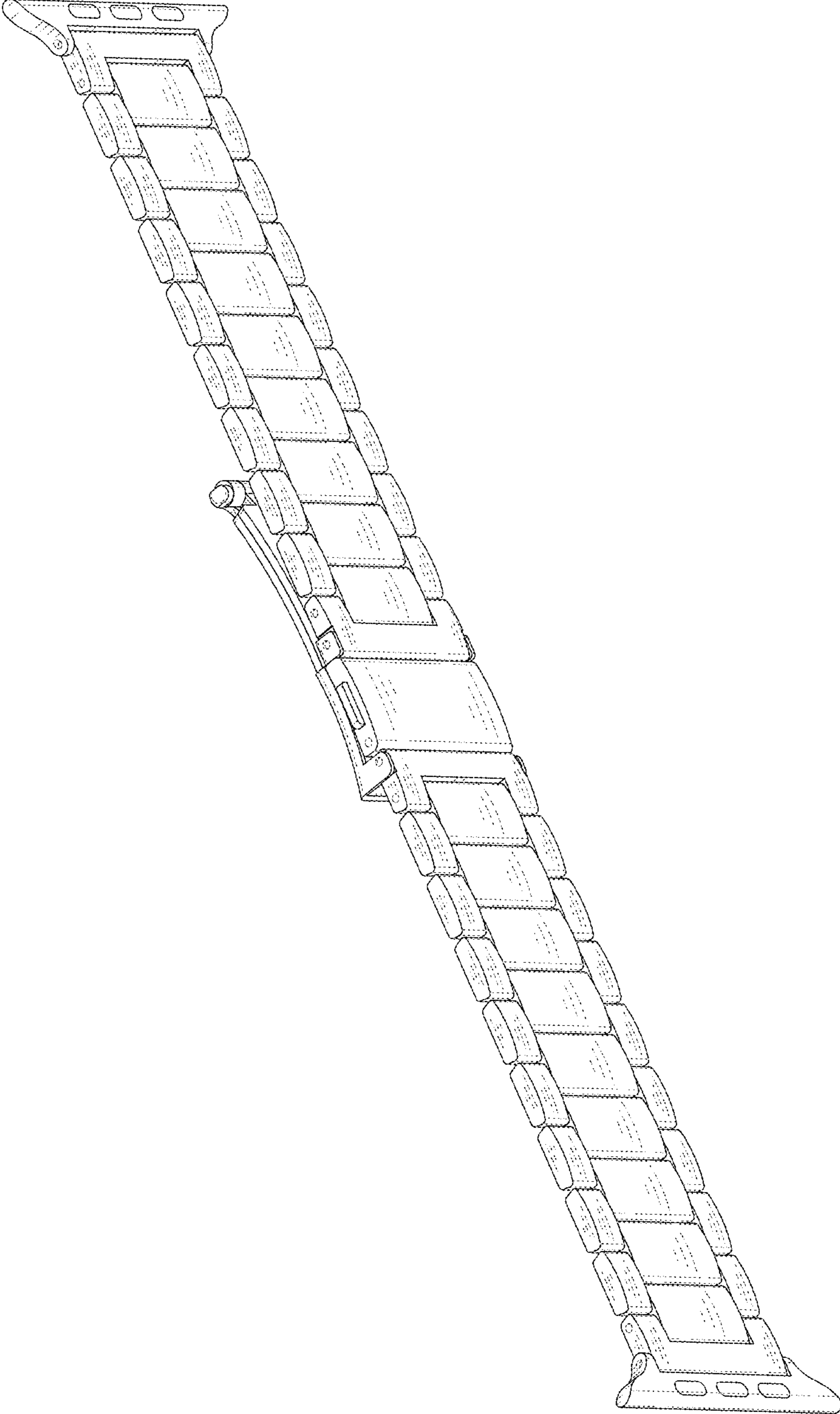


FIG. 1

FIG. 9

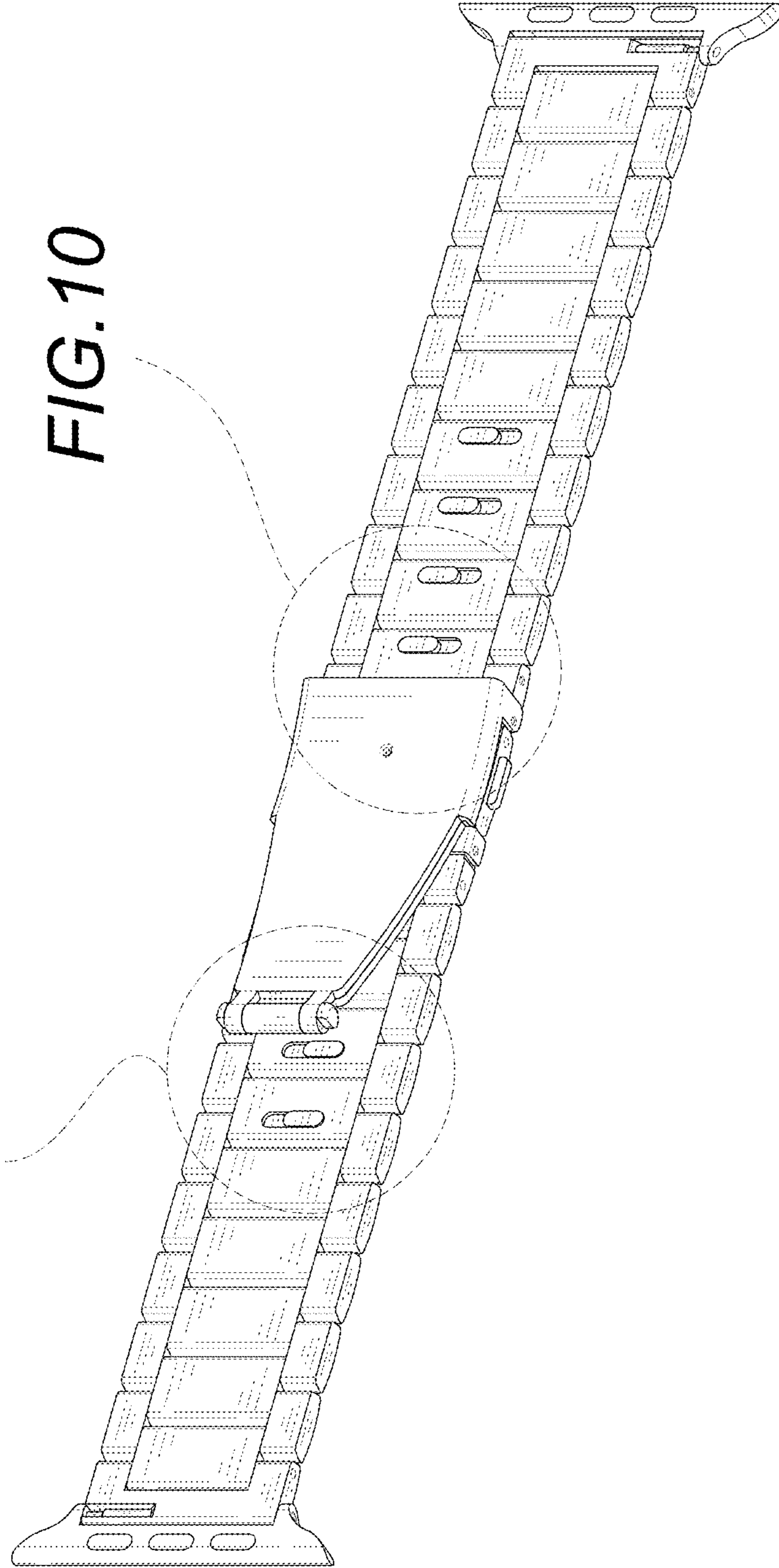


FIG. 10

FIG. 2

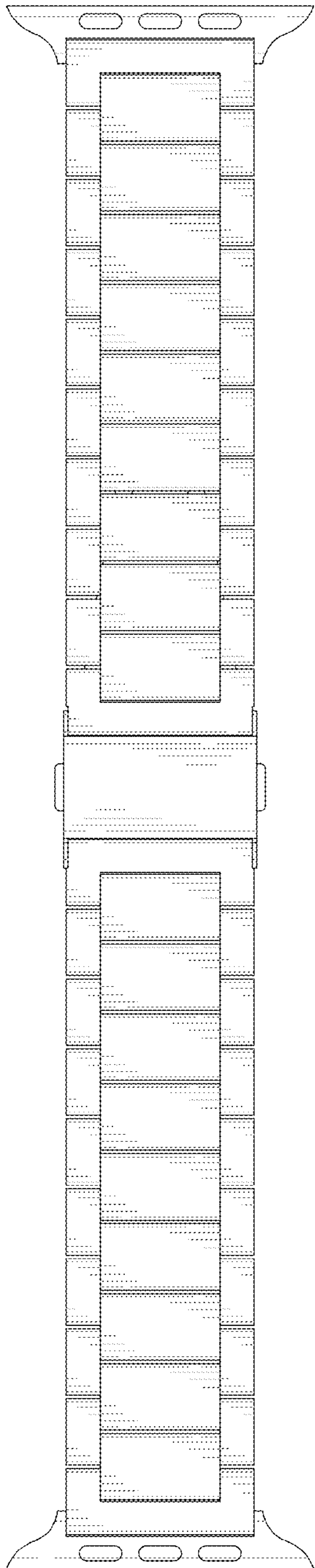


FIG. 3

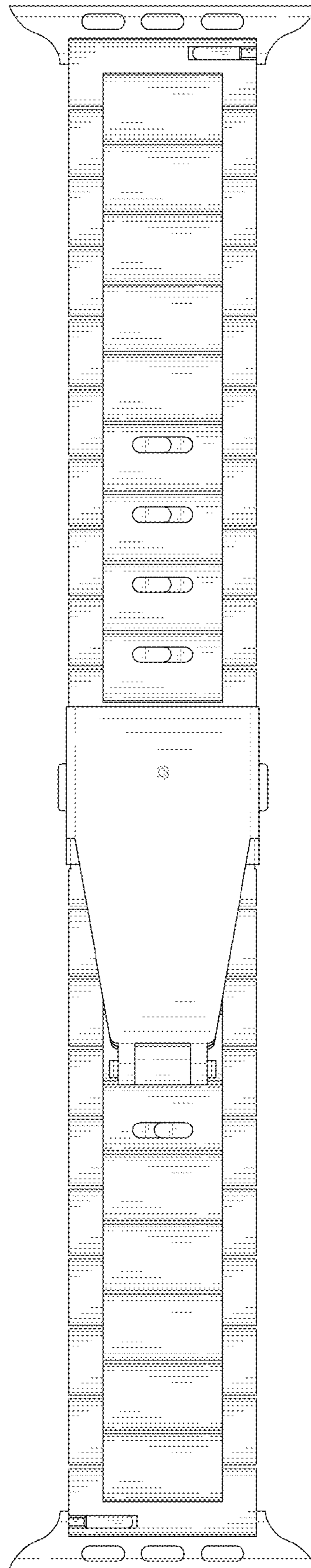


FIG. 4

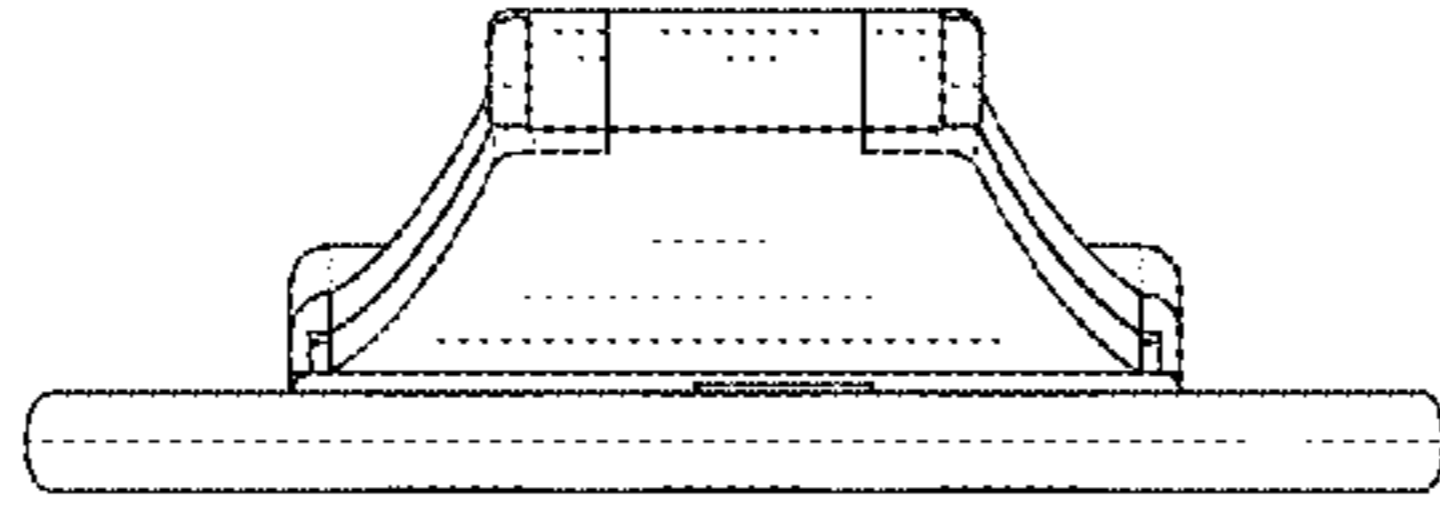


FIG. 6

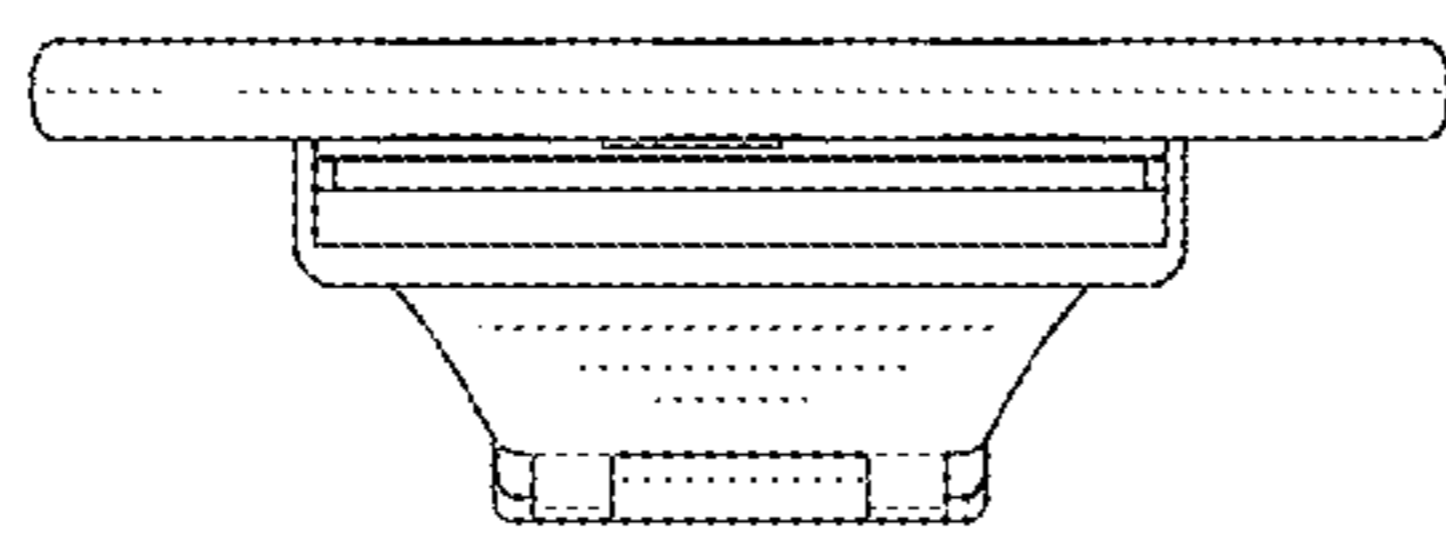


FIG. 5

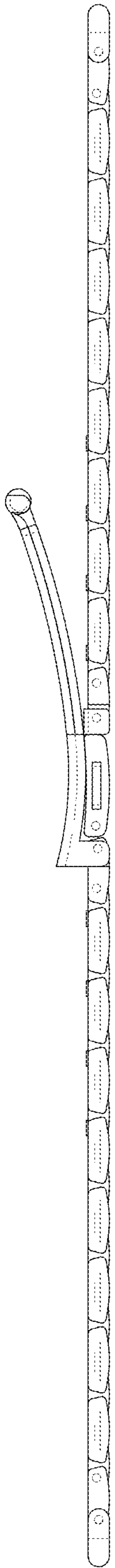


FIG. 7

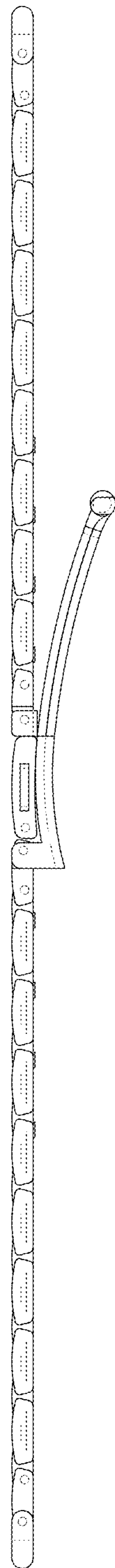


FIG. 8

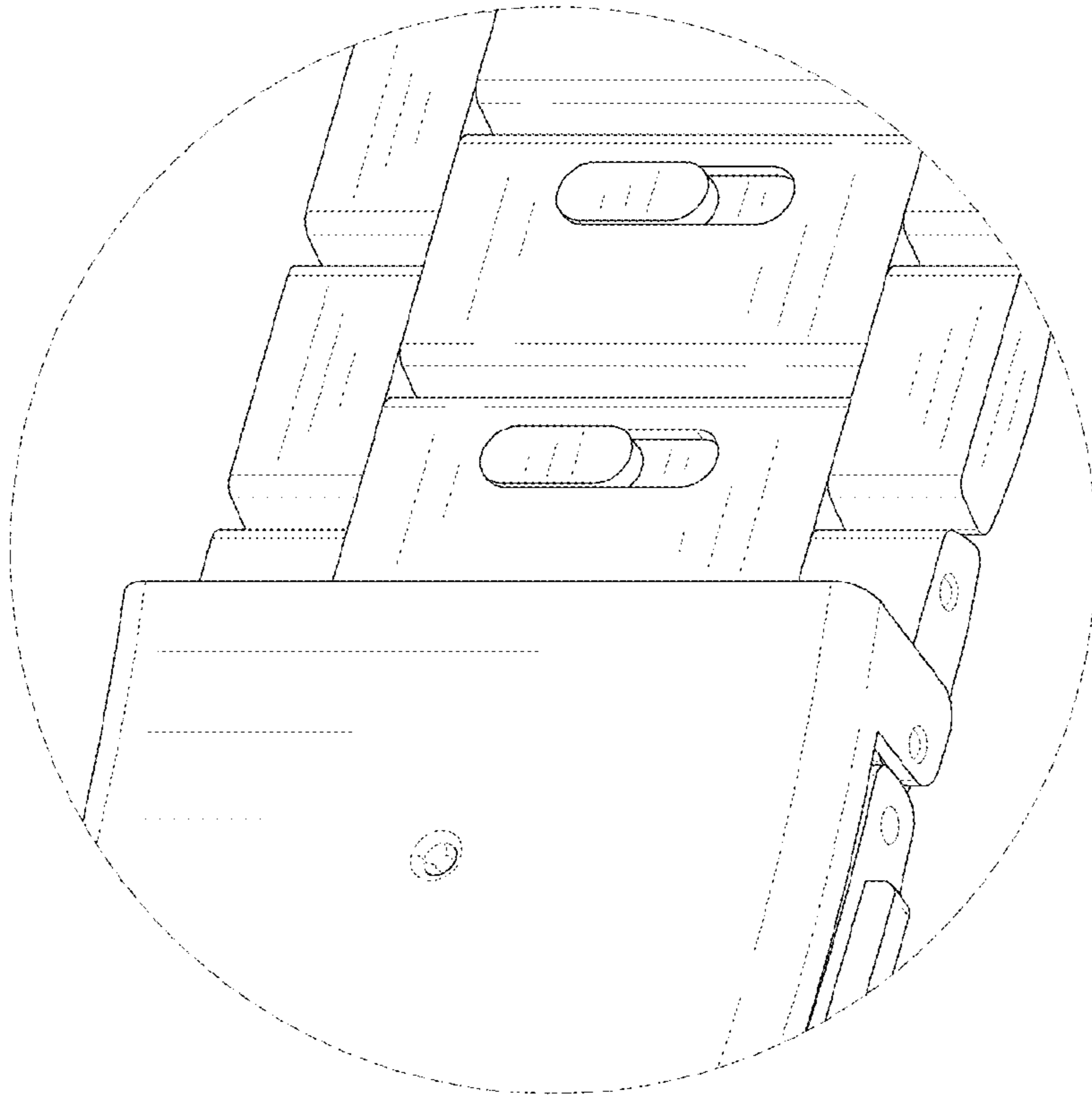


FIG. 9

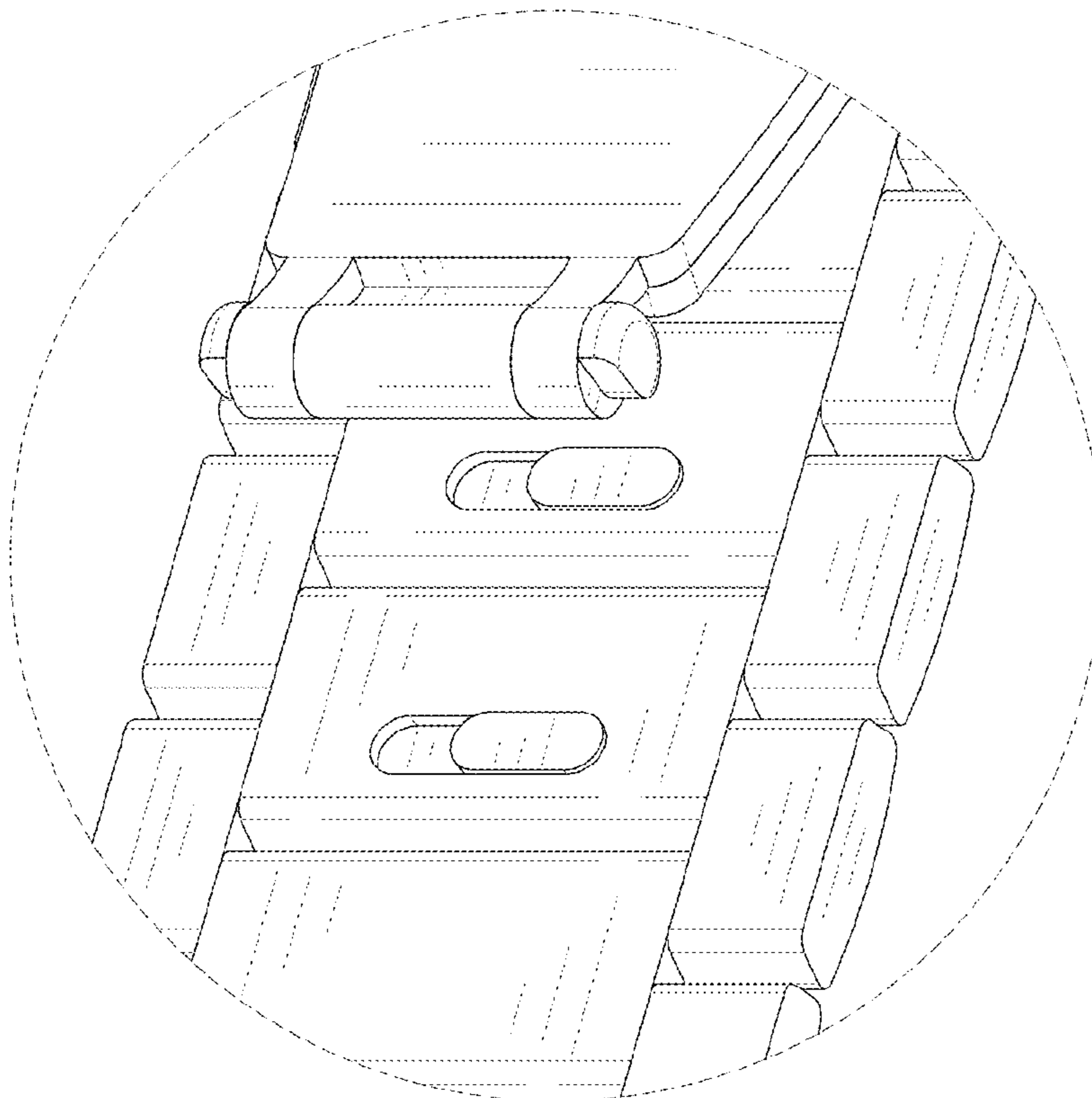


FIG. 10