



US00D976734S

(12) **United States Design Patent** (10) **Patent No.:** **US D976,734 S**
England et al. (45) **Date of Patent:** **** Jan. 31, 2023**

(54) **DOORBELL**
(71) Applicant: **Amazon Technologies, Inc.**, Seattle, WA (US)
(72) Inventors: **Matthew J. England**, Santa Monica, CA (US); **Mark D. Siminoff**, Mountain View, CA (US); **Wen-Yo Lu**, Pasadena, CA (US); **Christopher Loew**, Palo Alto, CA (US); **James Siminoff**, Pacific Palisades, CA (US); **Spiro Sacre**, Los Angeles, CA (US)

D817,208 S * 5/2018 Ravat H03K 17/6871
D10/118.2
D819,476 S † 6/2018 Siminoff D10/118.2
D820,137 S † 6/2018 Siminoff D10/118.2
D820,707 S * 6/2018 Siminoff D10/118.2
D820,708 S † 6/2018 Siminoff D10/118.2
D822,518 S † 7/2018 Siminoff D10/118.2
D822,519 S † 7/2018 Siminoff D10/118.2
D822,520 S † 7/2018 Siminoff D10/118.2
D829,585 S † 10/2018 Siminoff D10/118.2
D830,871 S † 10/2018 Siminoff D10/118.2

(Continued)

(73) Assignee: **Amazon Technologies, Inc.**, Seattle, WA (US)
(**) Term: **15 Years**
(21) Appl. No.: **29/826,004**
(22) Filed: **Feb. 8, 2022**

OTHER PUBLICATIONS

Chinese Office Action dated Dec. 28, 2020 for Chinese Design Application No. 202030513233.8, a counterpart foreign application of Design U.S. Appl. No. 29/726,509, 1 page.†

Primary Examiner — George D. Kirschbaum
Assistant Examiner — Lillian Windham
(74) *Attorney, Agent, or Firm* — Lee & Hayes, P.C.

Related U.S. Application Data

(62) Division of application No. 29/726,509, filed on Mar. 3, 2020, now Pat. No. Des. 945,898.
(51) **LOC (14) Cl.** **10-05**
(52) **U.S. Cl.**
USPC **D10/118.2**
(58) **Field of Classification Search**
USPC D10/104.1, 106.6, 109.2, 116.1, 118, D10/118.2, 121; D14/204, 240, 358; D16/203
CPC G08B 3/00; G08B 6/00; G08B 3/1008; H04N 7/186; H04M 11/025; H04M 1/0291
See application file for complete search history.

(57) **CLAIM**

The ornamental design for a doorbell, as shown and described.

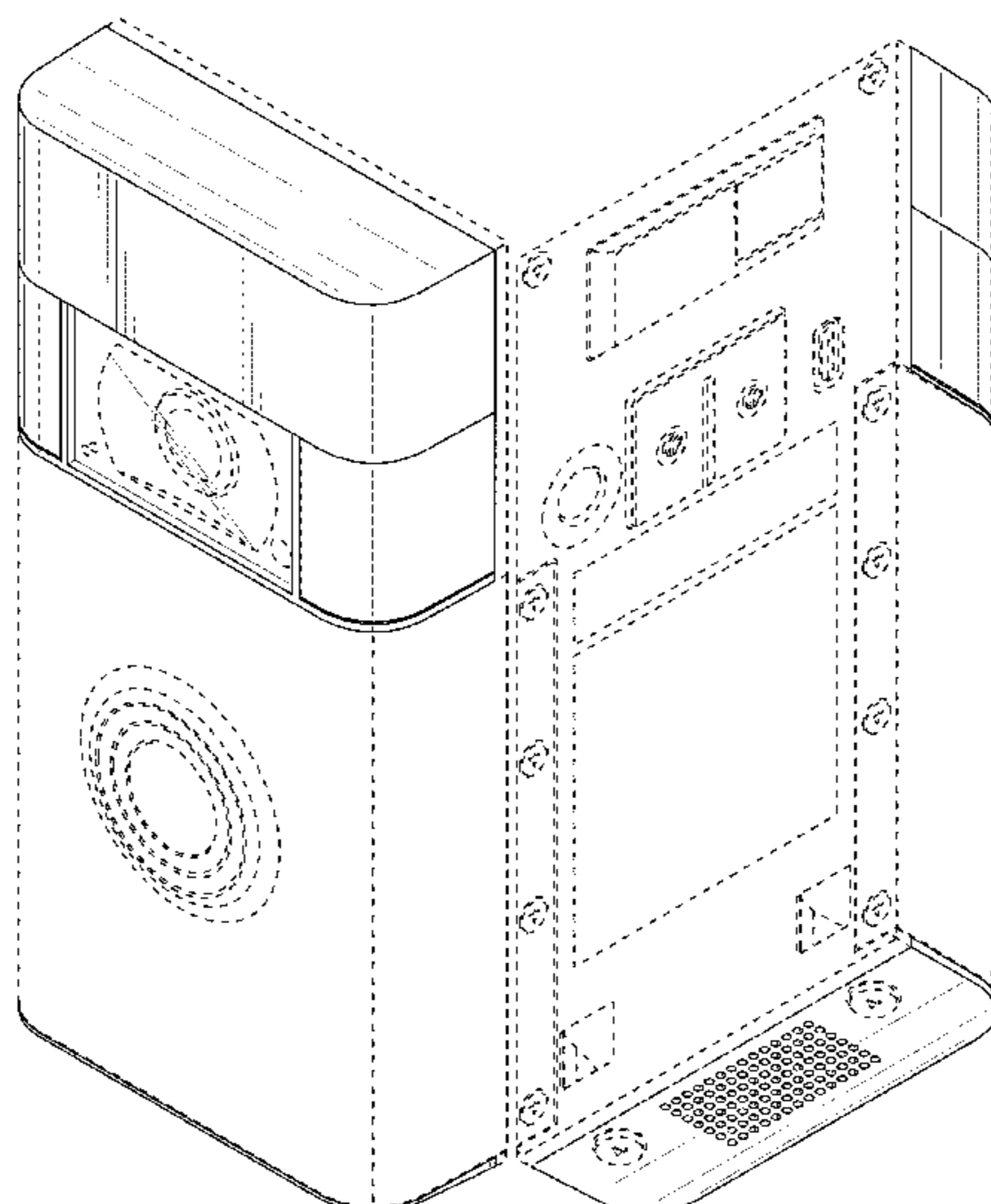
DESCRIPTION

FIG. 1 is a top, front, right-side perspective view of a doorbell;
FIG. 2 is a bottom, back, left-side perspective view thereof;
FIG. 3 is a front view thereof;
FIG. 4 is a back view thereof;
FIG. 5 is a right-side view thereof;
FIG. 6 is a left-side view thereof;
FIG. 7 is a top view thereof; and,
FIG. 8 is a bottom view thereof.
The dashed broken lines depict portions of the doorbell that form no part of the claimed design.

(56) **References Cited**
U.S. PATENT DOCUMENTS

D788,061 S † 5/2017 Siminoff D14/159
D789,820 S * 6/2017 Siminoff D10/118.2

1 Claim, 8 Drawing Sheets



(56)

References Cited

U.S. PATENT DOCUMENTS

D833,313 S † 11/2018 Siminoff D10/118.2
 D837,080 S † 1/2019 Siminoff D10/118.2
 D848,299 S * 5/2019 Li D10/118.2
 D848,300 S * 5/2019 Siminoff D10/118.2
 10,304,296 B2 * 5/2019 Tso H03K 17/6871
 D852,866 S † 7/2019 Siminoff D16/200
 D854,958 S † 7/2019 Siminoff D10/118.2
 D856,838 S † 8/2019 Siminoff D10/118.2
 D858,338 S * 9/2019 Yu D10/118.2
 D859,200 S * 9/2019 Siminoff D10/118.2
 D860,029 S † 9/2019 Yang D10/118.2
 D860,176 S * 9/2019 Siminoff D14/240
 D866,379 S † 11/2019 Siminoff D10/118.2
 D866,380 S † 11/2019 Siminoff D10/118.2
 D866,381 S * 11/2019 Siminoff D10/118.2
 D870,587 S * 12/2019 Siminoff D10/118.2
 D882,443 S † 4/2020 Siminoff D10/118.2
 10,666,913 B1 † 5/2020 Siminoff G06K 9/2018
 D889,300 S * 7/2020 Siminoff D10/118.2
 D889,301 S * 7/2020 Siminoff D10/118.2
 D892,661 S † 8/2020 Siminoff D10/118.2
 D899,482 S * 10/2020 Li D10/118.2
 D901,471 S * 11/2020 Siminoff D14/240
 D902,063 S * 11/2020 Han D10/118.2

D917,324 S * 4/2021 Huang D10/118.2
 D925,384 S * 7/2021 England D10/121
 D926,066 S † 7/2021 England D10/118.2
 D935,337 S * 11/2021 Huang D10/118.2
 D945,979 S * 3/2022 Lu D14/204
 D957,280 S * 7/2022 England D10/118.2
 D960,122 S * 8/2022 Lu D14/204
 2016/0330403 A1 † 11/2016 Siminoff H04N 5/2257
 2017/0160138 A1 † 6/2017 Jeong G11B 20/00891
 2017/0251035 A1 † 8/2017 Siminoff G06F 3/04842
 2017/0280112 A1 † 9/2017 Siminoff G08B 13/19684
 2017/0322942 A1 † 11/2017 Duda H04L 67/18
 2018/0053407 A1 † 2/2018 Siminoff G08B 15/00
 2018/0053408 A1 * 2/2018 Siminoff G06T 7/20
 2018/0176512 A1 † 6/2018 Siminoff G08B 13/19602
 2018/0205911 A1 † 7/2018 Siminoff H04N 5/23241
 2018/0218201 A1 † 8/2018 Siminoff G06F 40/30
 2018/0220108 A1 † 8/2018 Siminoff G08B 13/1966
 2018/0227507 A1 † 8/2018 Siminoff H04N 7/188
 2018/0249134 A1 † 8/2018 Siminoff H04N 7/188
 2018/0278836 A1 † 9/2018 Siminoff H04N 5/23216
 2018/0307903 A1 † 10/2018 Siminoff G06K 9/00369
 2018/0350225 A1 † 12/2018 Siminoff H04N 7/186
 2018/0359451 A1 † 12/2018 Siminoff H04N 5/247
 2019/0014291 A1 † 1/2019 Siminoff H04M 1/0291
 2021/0099676 A1 † 4/2021 England H04N 5/2258

* cited by examiner

† imported from a related application

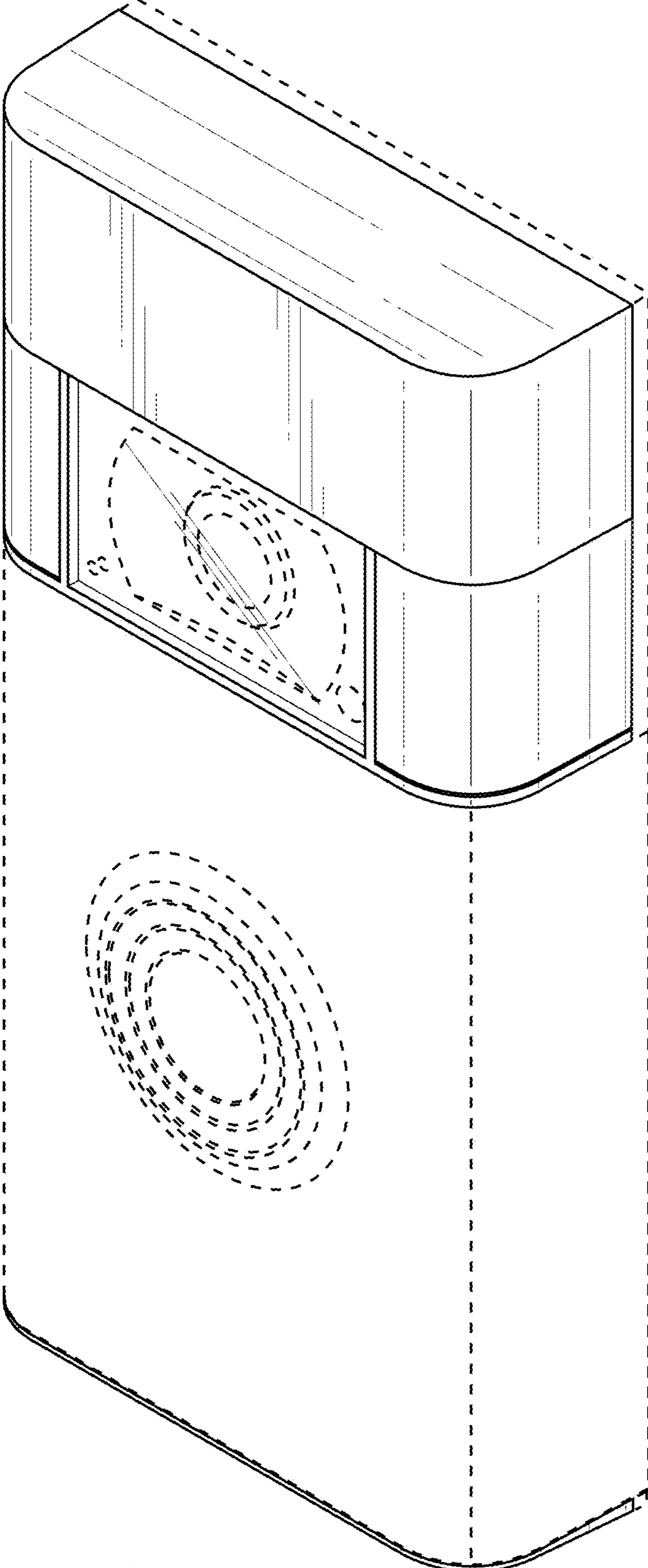


FIG. 1

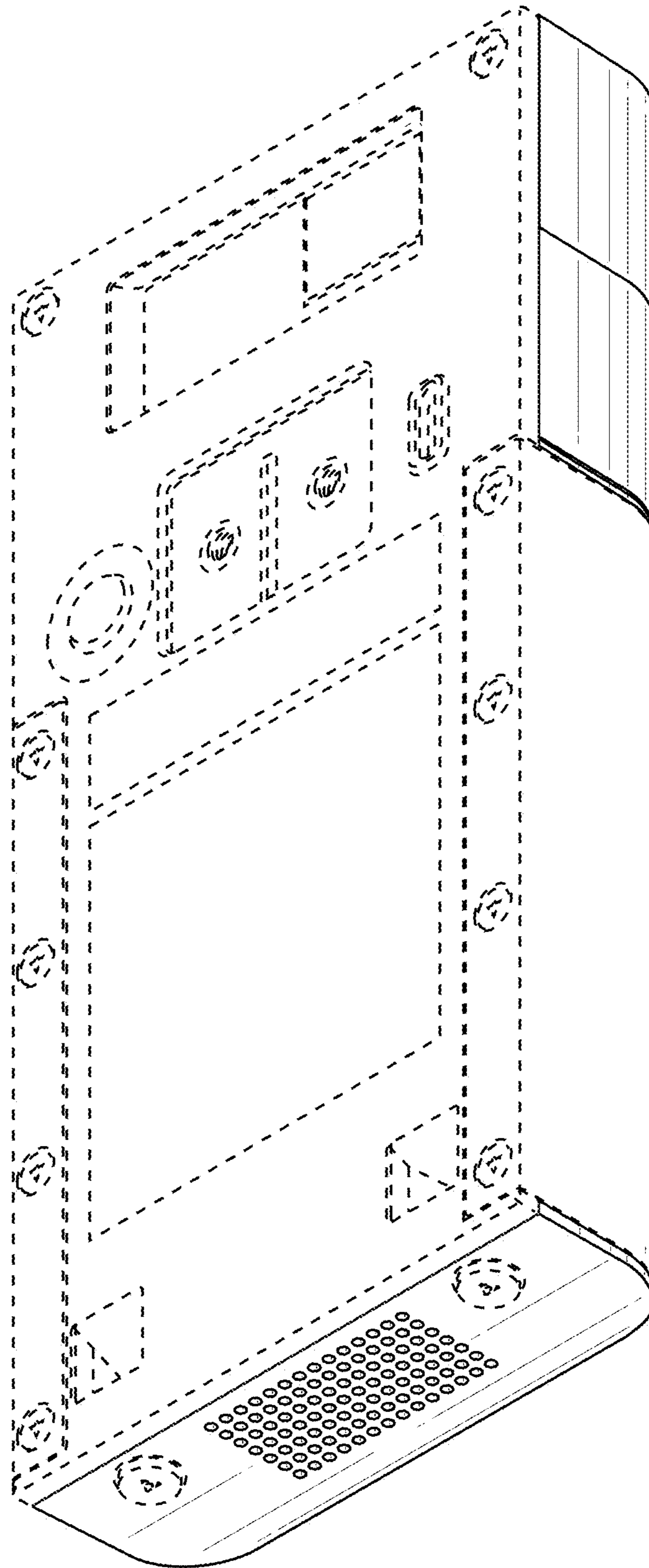


FIG. 2

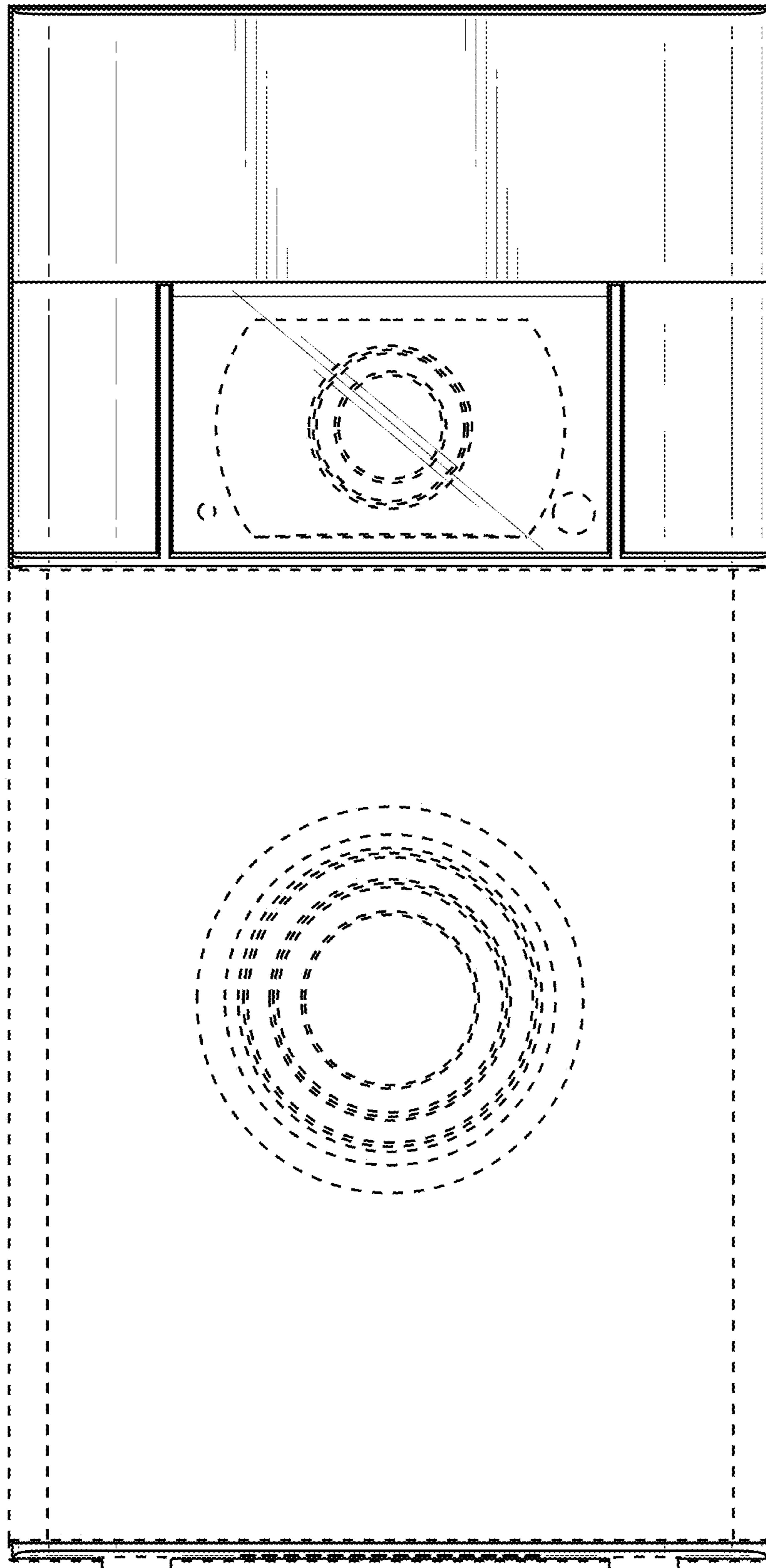


FIG. 3

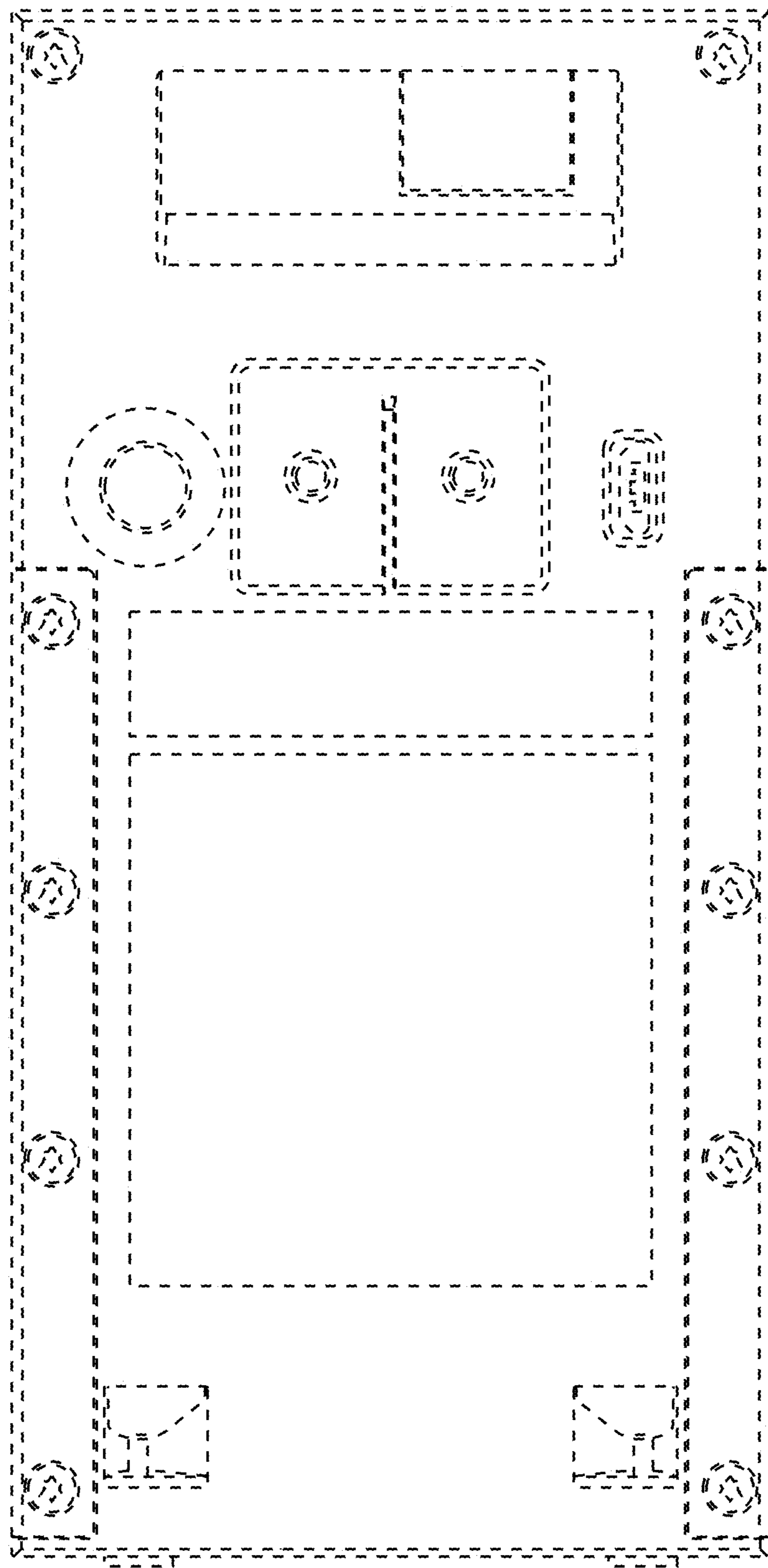


FIG. 4

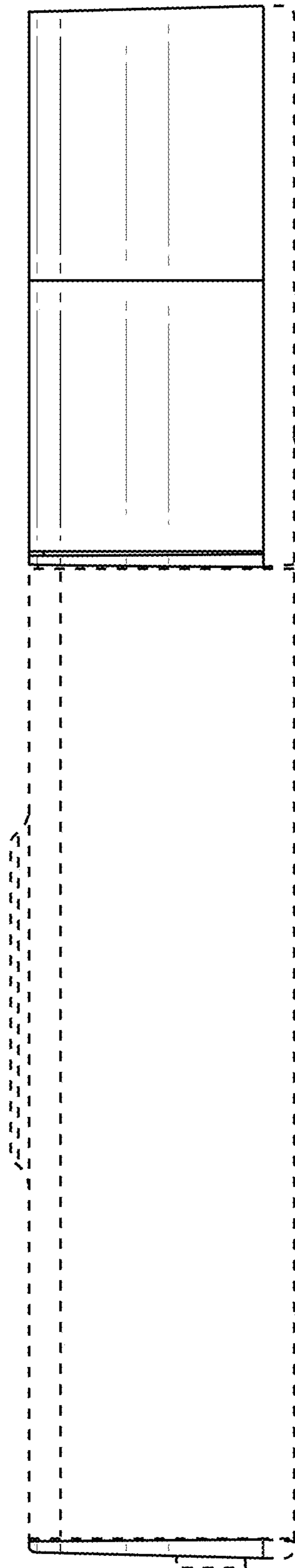


FIG. 5

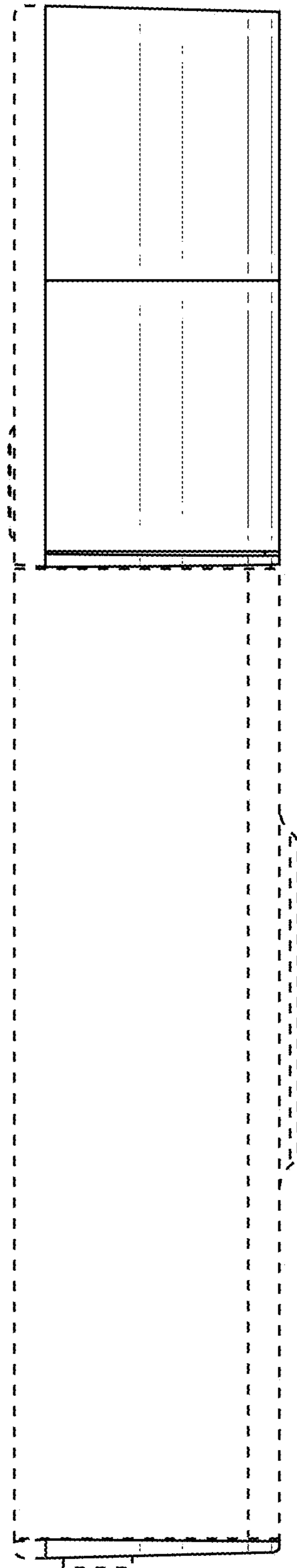


FIG. 6

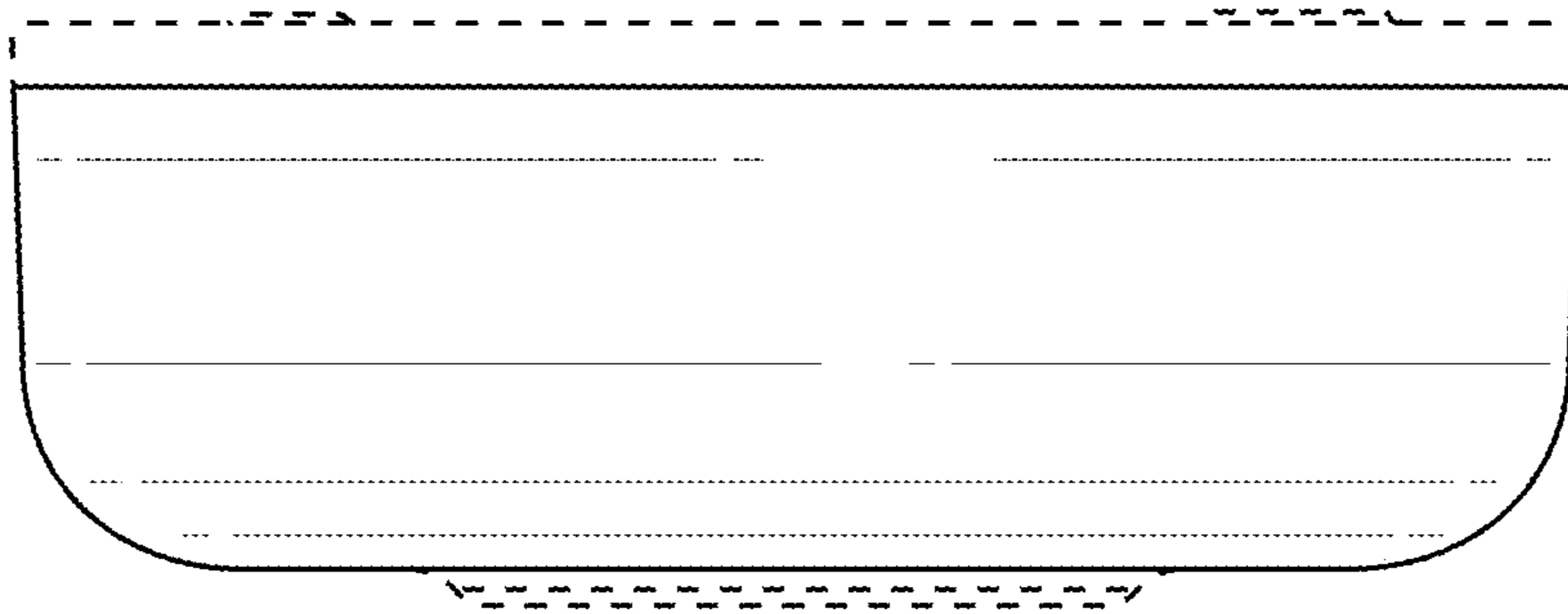


FIG. 7

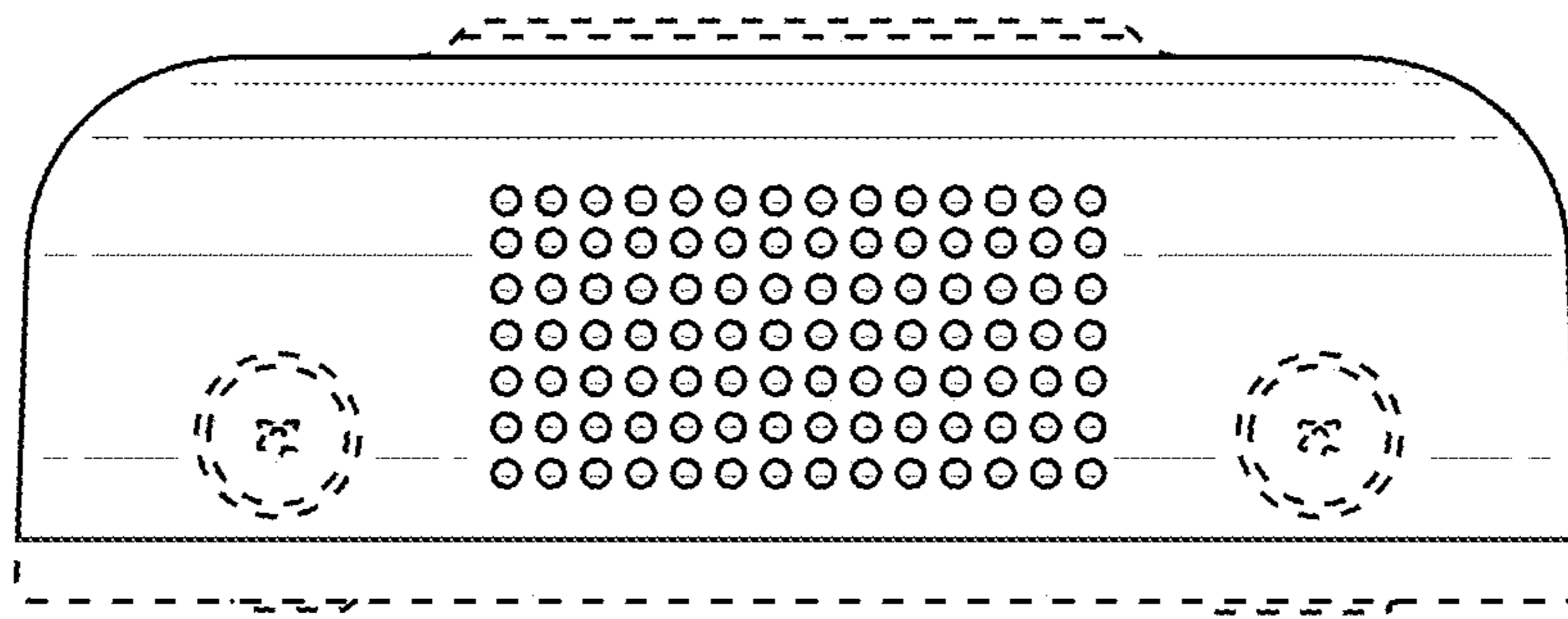


FIG. 8