

US00D976733S

(12) **United States Design Patent**  
**Li et al.**

(10) **Patent No.:** **US D976,733 S**  
(45) **Date of Patent:** **\*\* Jan. 31, 2023**

- (54) **DOORBELL CHIME**
- (71) Applicant: **SHENZHEN LINDO TECHNOLOGY CO., LTD.**, Shenzhen (CN)
- (72) Inventors: **Mengying Li**, Shenzhen (CN); **Jun Zhou**, Shenzhen (CN); **Haoliang Zhou**, Shenzhen (CN); **Runjiao Zhou**, Shenzhen (CN)
- (73) Assignee: **SHENZHEN LINDO TECHNOLOGY CO., LTD.**, Shenzhen (CN)
- (\*\*) Term: **15 Years**
- (21) Appl. No.: **29/785,757**
- (22) Filed: **May 27, 2021**
- (51) **LOC (14) Cl.** ..... **10-05**
- (52) **U.S. Cl.**  
USPC ..... **D10/118.2**
- (58) **Field of Classification Search**  
USPC ..... D10/52, 56, 97, 104.1, 104.2, 106.6, D10/109.2, 116.1, 118, 118.2, 121; D13/168; D14/383, 420; D16/203; D8/330; D24/186  
CPC ..... G08B 3/00; G08B 6/00; G08B 3/1008; H04N 7/186; H04M 11/025; H04M 1/0291  
See application file for complete search history.

D890,011 S *	7/2020	Wangdong	.....	D10/118
D896,764 S *	9/2020	Gutierrez	.....	D13/162
D902,063 S *	11/2020	Han	.....	D10/118.2
D922,236 S *	6/2021	Tan	.....	D10/118.2
D934,092 S *	10/2021	Luebeck	.....	D10/104.1
D937,424 S *	11/2021	Vardi	.....	D24/186
D951,952 S *	5/2022	Ferreira Sánchez	.....	D14/383
D952,637 S *	5/2022	Ferreira Sánchez	.....	D14/383
D955,251 S *	6/2022	Paterson	.....	D10/104.2
D960,015 S *	8/2022	McManigal	.....	D10/106.6

**OTHER PUBLICATIONS**

360 X3 Wireless Video Doorbell, available in Amazon.com, date first available Dec. 1, 2021 [online], [site visited Sep. 7, 2022], Available from the internet URL: <<https://www.amazon.com/dp/B09MTHPFLT>>. (Year: 2021).\*

\* cited by examiner

*Primary Examiner* — George D. Kirschbaum  
*Assistant Examiner* — Lillian Windham

(74) *Attorney, Agent, or Firm* — IPro, PLLC

(57) **CLAIM**

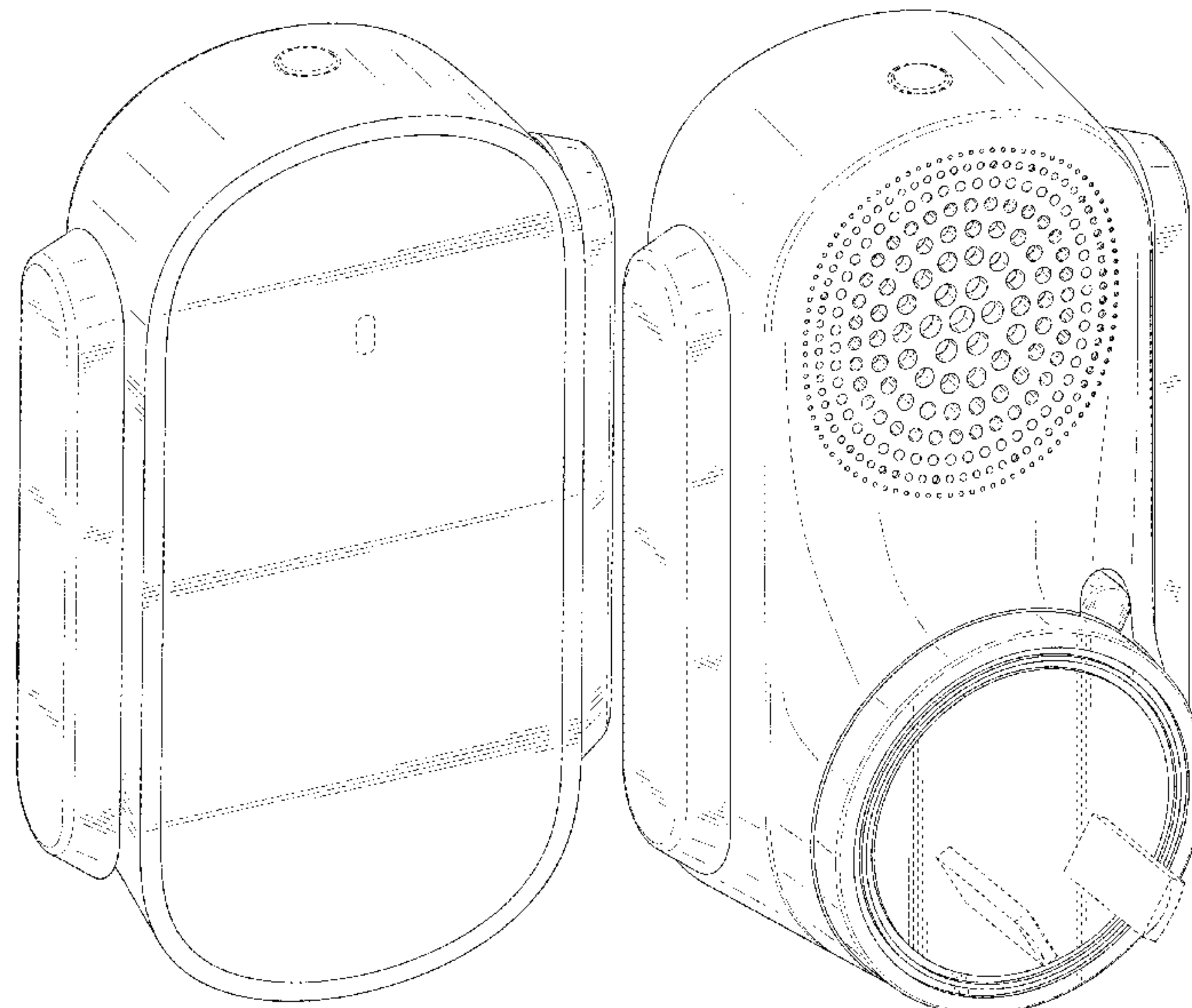
The ornamental design for a doorbell chime, as shown and described.

**DESCRIPTION**

FIG. 1 is a front perspective view of a doorbell chime showing the claimed design;  
FIG. 2 is a rear perspective view thereof;  
FIG. 3 is a front elevation view thereof;  
FIG. 4 is a rear elevation view thereof;  
FIG. 5 is a left side elevation view thereof;  
FIG. 6 is a right side elevation view thereof;  
FIG. 7 is a top plan view thereof; and,  
FIG. 8 is a bottom plan view thereof.  
The broken lines in the figures show portions of the doorbell chime that form no part of the claimed design.

**1 Claim, 8 Drawing Sheets**

- (56) **References Cited**  
U.S. PATENT DOCUMENTS  
D768,463 S \* 10/2016 Kraus ..... D8/330  
D781,272 S \* 3/2017 Virhiä ..... D14/240  
D790,950 S \* 7/2017 Kraus ..... D8/330  
D795,109 S \* 8/2017 Olodort ..... D10/104.1  
D848,297 S \* 5/2019 Taheri ..... D10/118



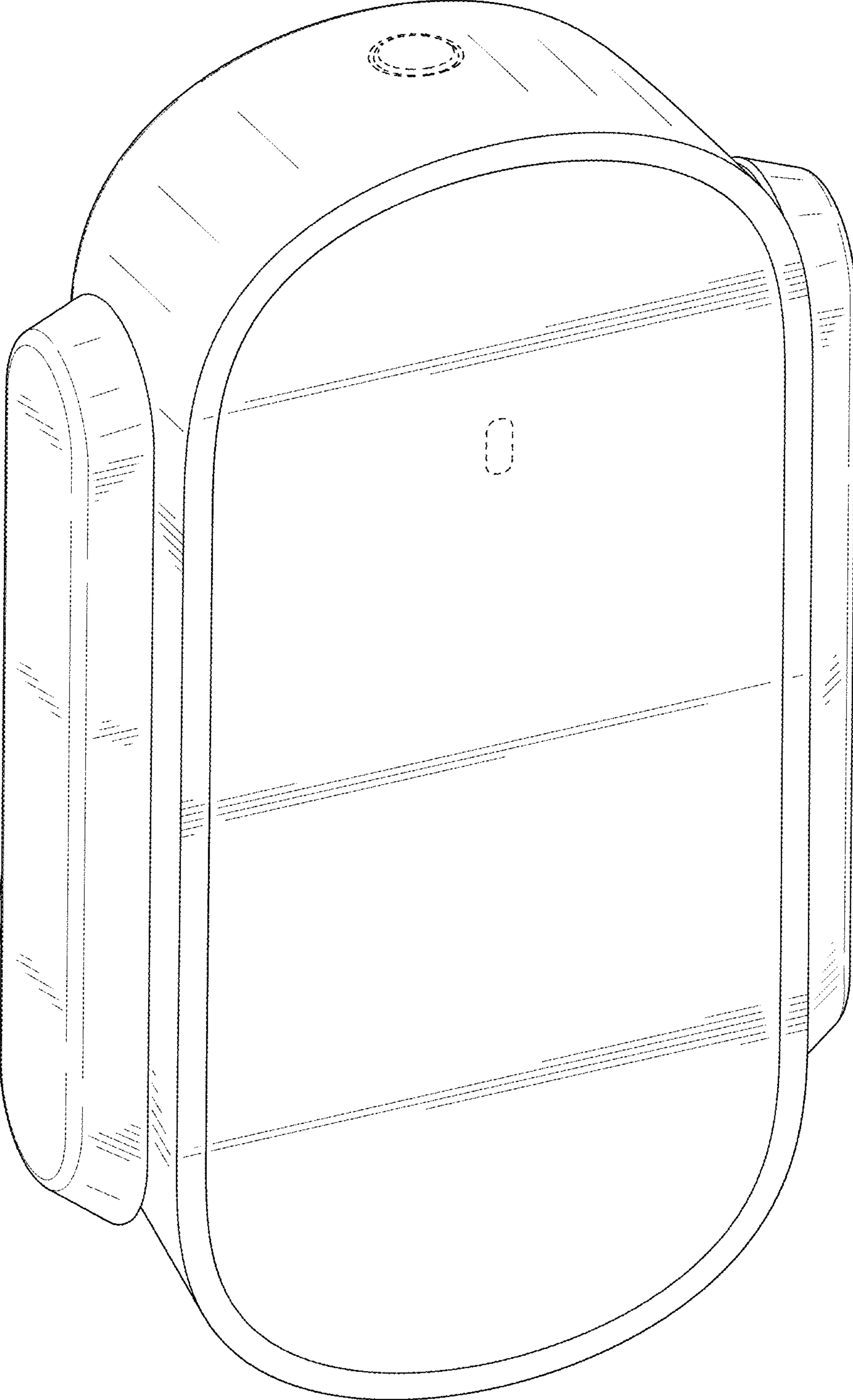


FIG. 1

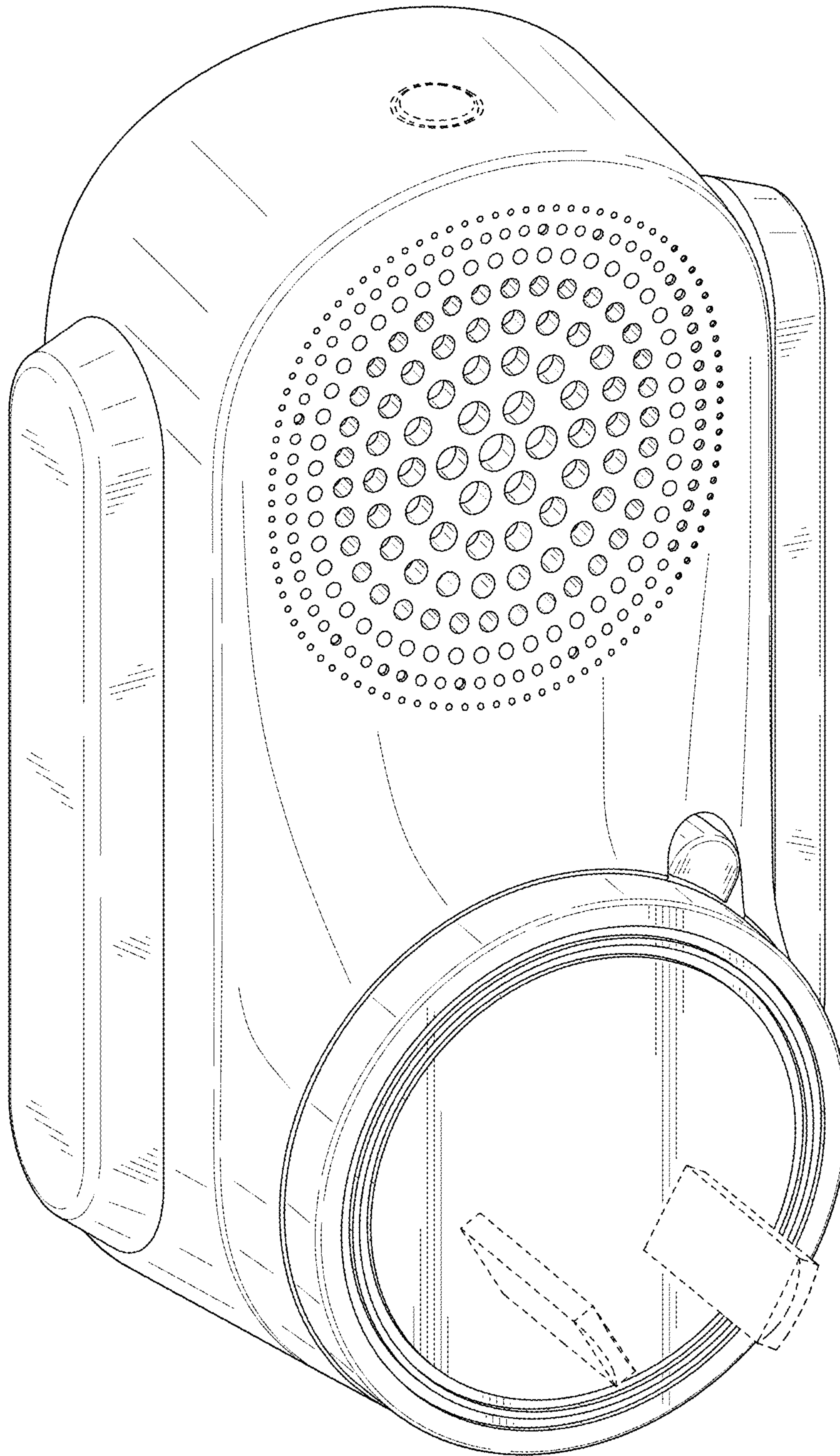


FIG. 2



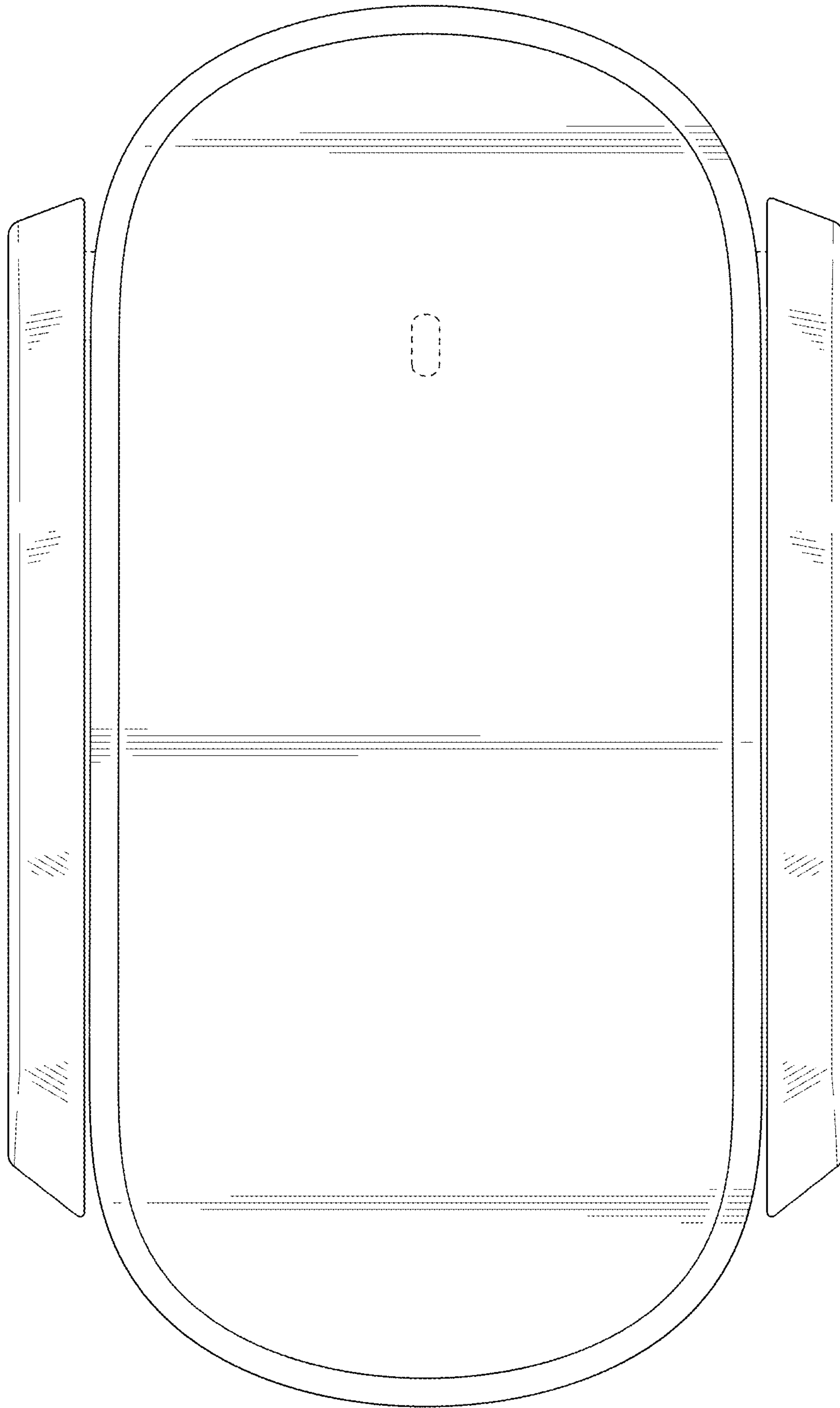


FIG. 3

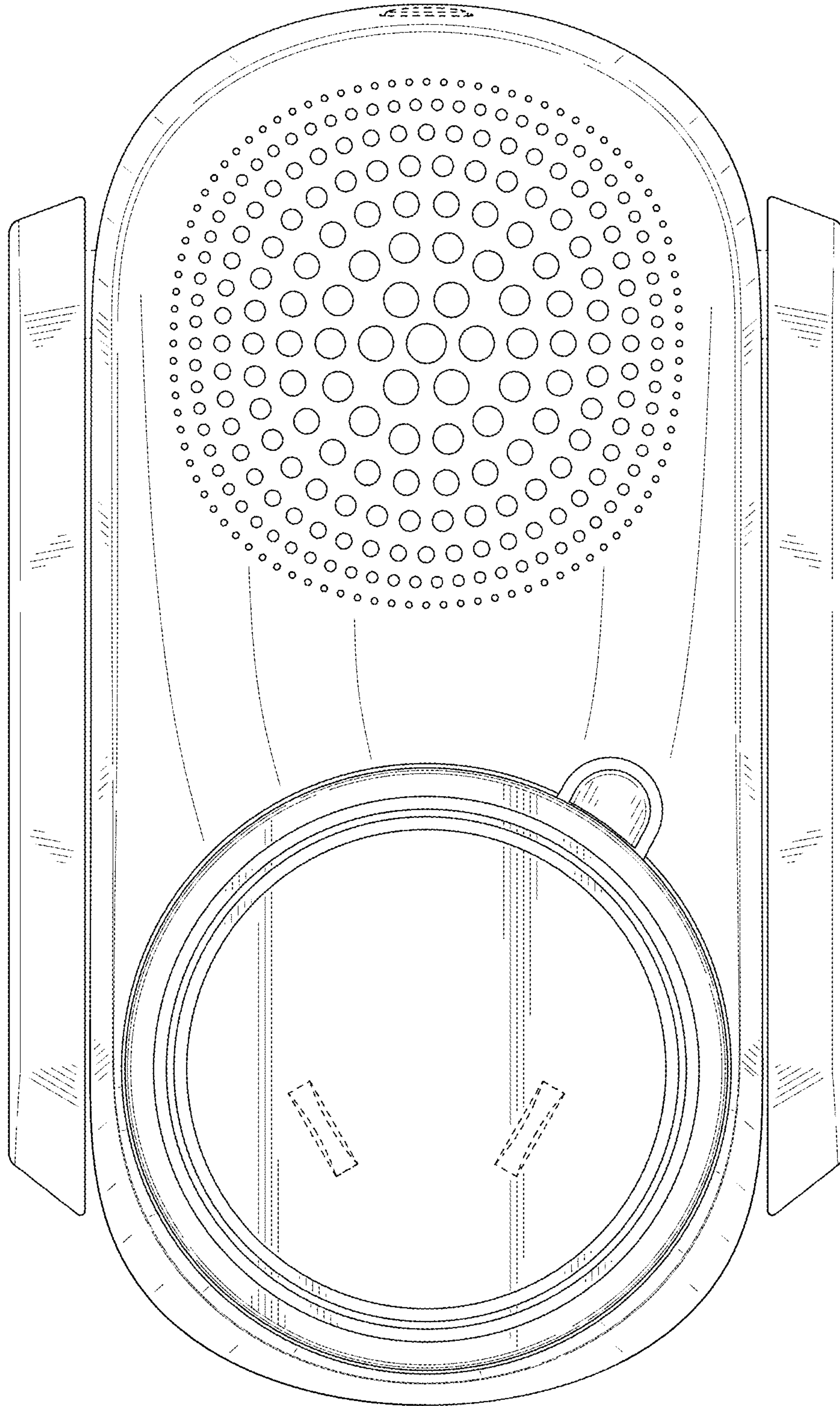


FIG. 4

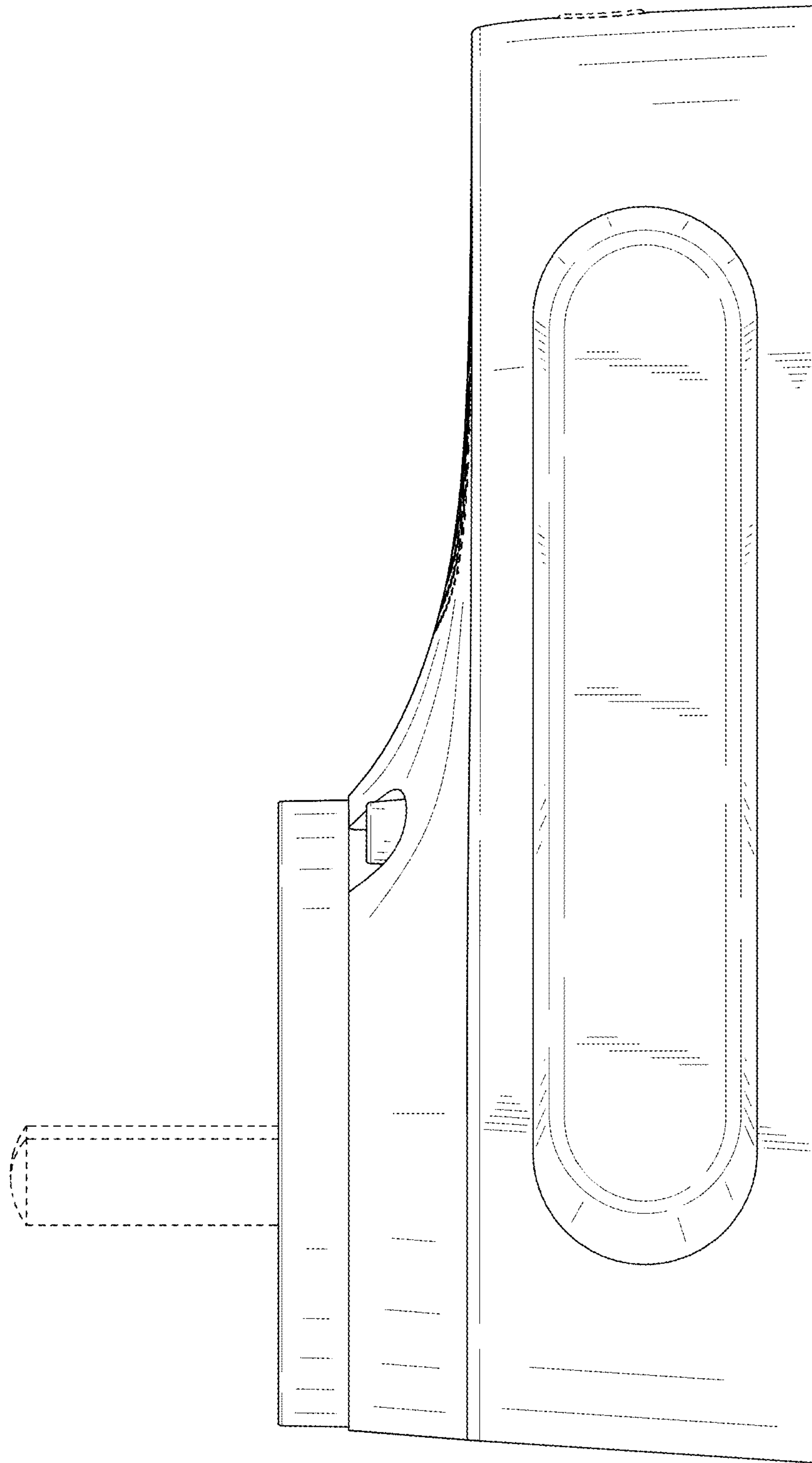


FIG. 5

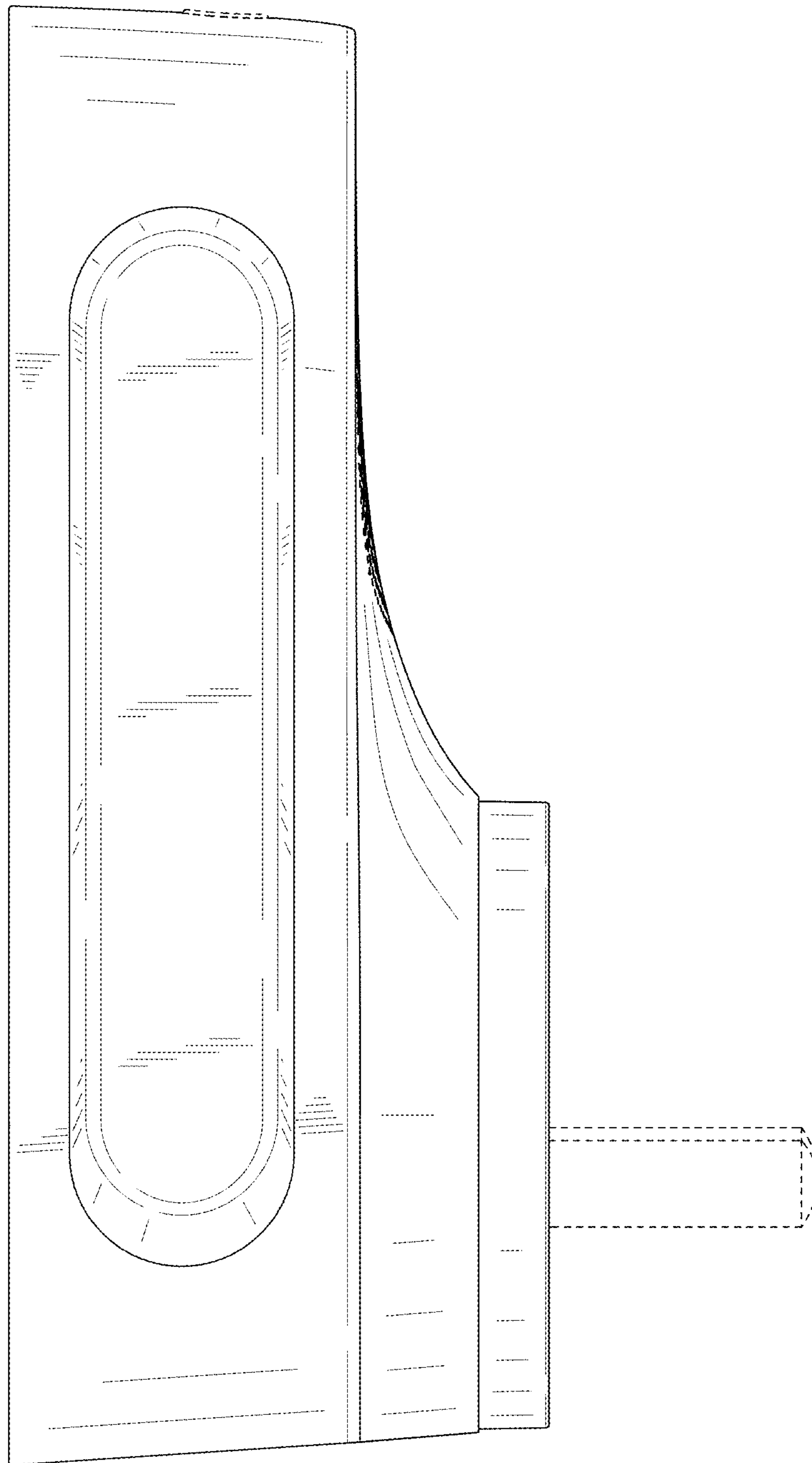


FIG. 6

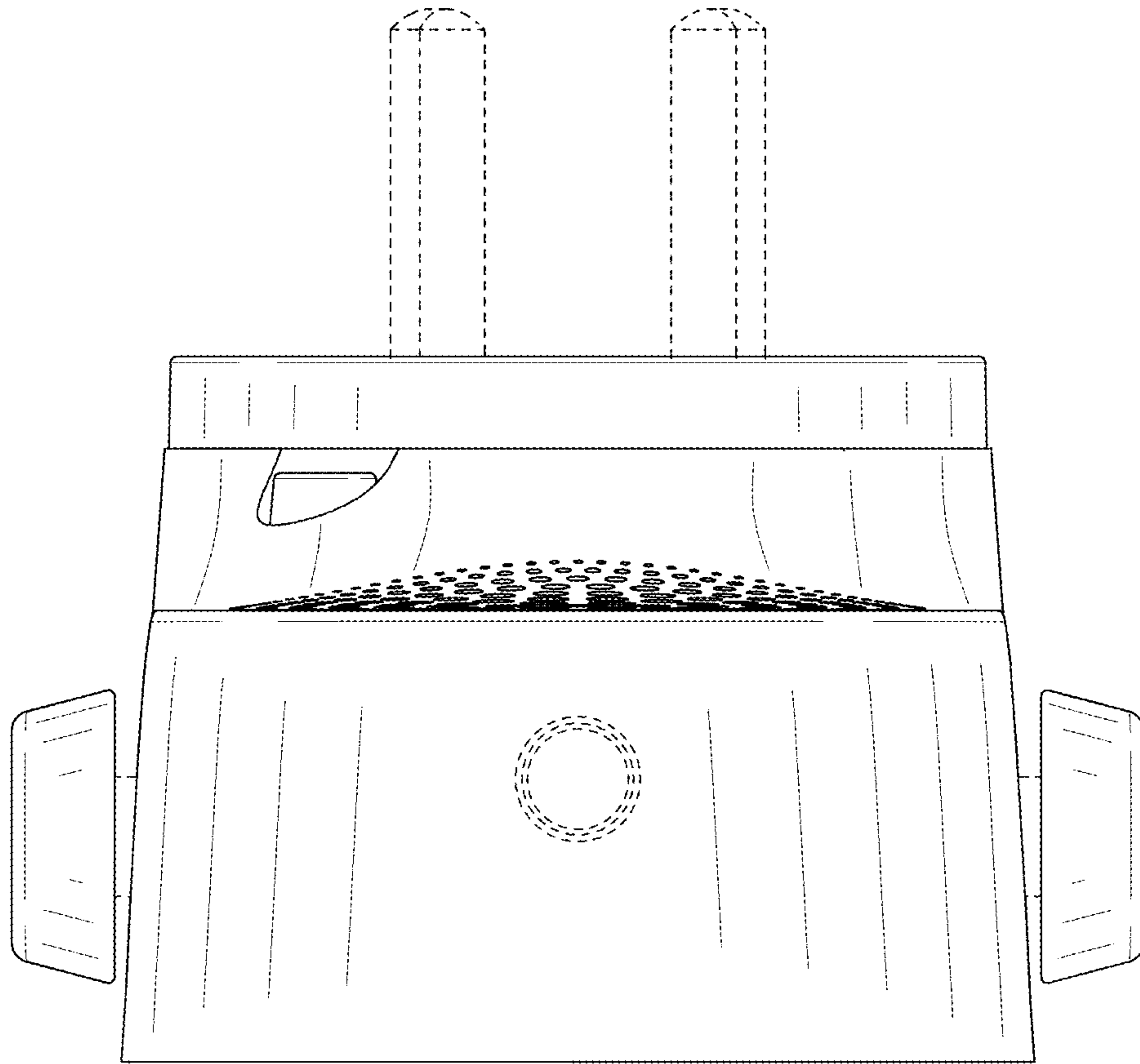


FIG. 7



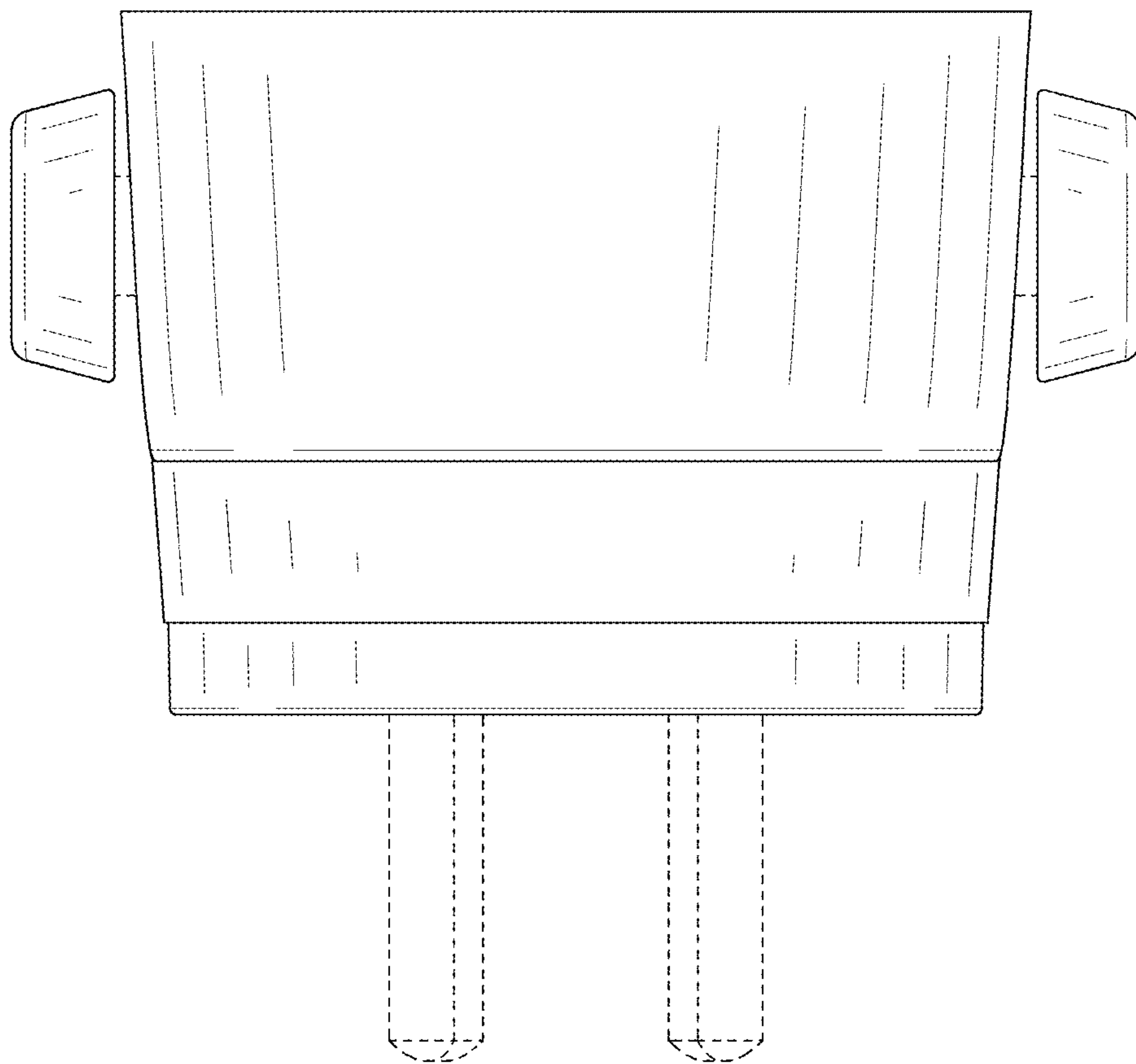


FIG. 8