



US00D976729S

(12) **United States Design Patent** (10) **Patent No.:** **US D976,729 S**  
**Yan** (45) **Date of Patent:** **\*\* Jan. 31, 2023**

(54) **ELECTRONIC SCALE**

(71) Applicant: **Jiang Yan**, Shenzhen (CN)

(72) Inventor: **Jiang Yan**, Shenzhen (CN)

(\*\*) Term: **15 Years**

(21) Appl. No.: **29/819,975**

(22) Filed: **Dec. 18, 2021**

(51) **LOC (14) Cl.** ..... **10-04**

(52) **U.S. Cl.**  
USPC ..... **D10/91**

(58) **Field of Classification Search**  
USPC ..... D10/75-80, 94-101, 87-93, 83  
CPC ..... G01G 21/28; G01G 23/30; G01G 23/35;  
G01G 21/30; G01G 23/36; G01G  
19/4146; G01G 19/30; G01G 19/56;  
G01G 23/01; G01G 23/012; G06F 3/167;  
G10L 15/26; G09B 19/0092  
See application file for complete search history.

(56) **References Cited**

**U.S. PATENT DOCUMENTS**

D523,366 S \* 6/2006 Ulrich ..... D10/92  
7,256,357 B1 \* 8/2007 Kesselman ..... G01G 21/283  
177/25.15  
D587,152 S \* 2/2009 Scholpp ..... D10/92  
D614,056 S \* 4/2010 Ulrich ..... D10/92  
D742,264 S \* 11/2015 Pan ..... D10/91  
D774,929 S \* 12/2016 Pan ..... D10/94  
D801,837 S \* 11/2017 Tsai ..... D10/91  
D830,211 S \* 10/2018 Pan ..... D10/91  
D845,800 S \* 4/2019 Lee ..... D10/91  
D845,801 S \* 4/2019 Lee ..... D10/91

(Continued)

**FOREIGN PATENT DOCUMENTS**

CN 304227347 \* 9/2016  
CN 304269854 \* 3/2017

(Continued)

**OTHER PUBLICATIONS**

WEIGHTMAN Store,Shipping Scale,Date first available Aug. 10, 2022,[online]retrieved Sep. 8, 2022,available from [https://www.amazon.com/dp/B0B3X4P6SX/ref=sspa\\_dk\\_detail\\_9?ie=UTF8&psc=1&pd\\_rd\\_i=&pd\\_rd\\_i=B0B3X4P6SXp13NParams&s=industrial&sp\\_csd=d2lkZ2V0TmFtZT1zcF9kZXRhaWw](https://www.amazon.com/dp/B0B3X4P6SX/ref=sspa_dk_detail_9?ie=UTF8&psc=1&pd_rd_i=&pd_rd_i=B0B3X4P6SXp13NParams&s=industrial&sp_csd=d2lkZ2V0TmFtZT1zcF9kZXRhaWw) (Year: 2022).\*

(Continued)

*Primary Examiner* — Keli L Hill

*Assistant Examiner* — Sara S Sahneh

(74) *Attorney, Agent, or Firm* — ScienBiziP, P.C.

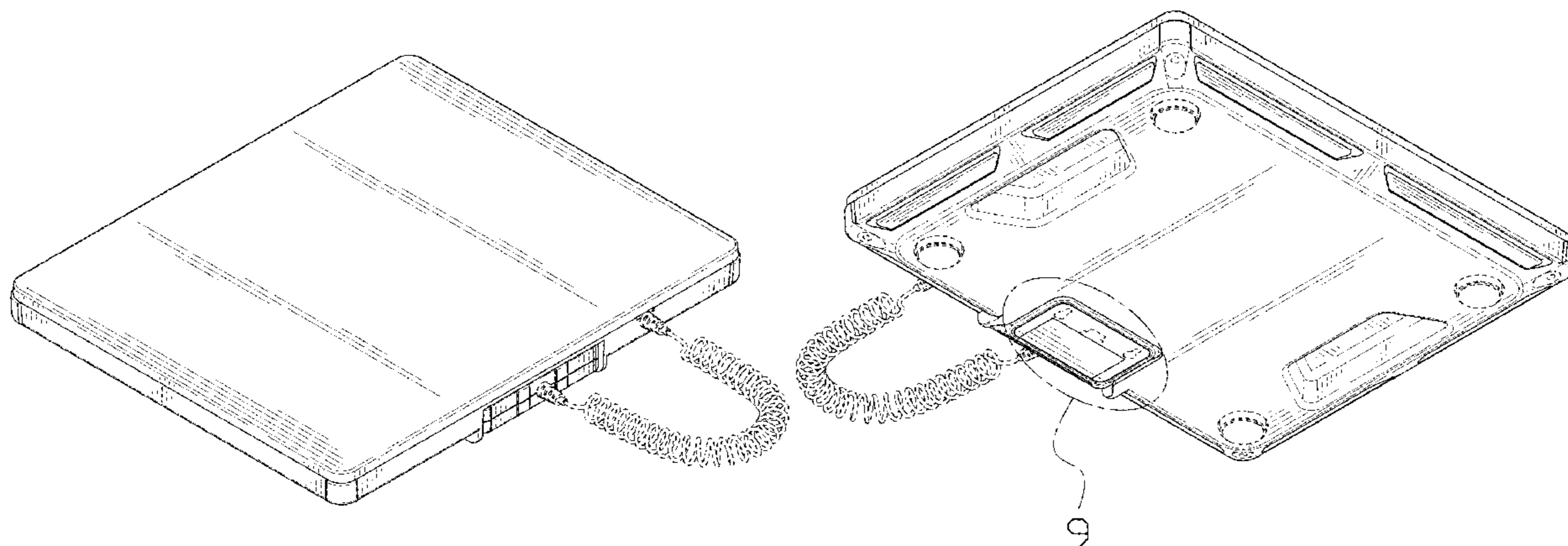
(57) **CLAIM**

The ornamental design for an electronic scale, as shown and described.

**DESCRIPTION**

FIG. 1 is a front, left and bottom perspective view of an electronic scale, showing my design.  
FIG. 2 is a rear, right and top perspective view thereof.  
FIG. 3 is a front elevation view thereof.  
FIG. 4 is a rear elevation view thereof.  
FIG. 5 is a left side elevation view thereof.  
FIG. 6 is a right side elevation view thereof.  
FIG. 7 is a top plan view thereof.  
FIG. 8 is a bottom plan view thereof.  
FIG. 9 is a partial enlarged view of an area labeled 9 in FIG. 2 comprising a control box; and,  
FIG. 10 is another front, left and bottom perspective view of the electronic scale in use.  
The dot-dash boundary lines in FIGS. 2 and 9 demarcate a portion of the article annotated for enlargement purposes. The broken lines shown are included for the purpose of illustrating portions of the electronic scale that form no part of the claim. The dash dot dash lines in FIGS. 2 and 9 are for the purpose of depicting the cut line of the enlarged view and form no part of the claimed design.

**1 Claim, 10 Drawing Sheets**



(56)

**References Cited**

U.S. PATENT DOCUMENTS

D938,293 S \* 12/2021 Chan ..... D10/91  
D955,247 S \* 6/2022 Vespa ..... D10/91  
D959,309 S \* 8/2022 Chan ..... D10/91

FOREIGN PATENT DOCUMENTS

CN 304629109 \* 10/2017  
CN 307276608 \* 12/2021  
EM 000825567-0001 \* 11/2007

OTHER PUBLICATIONS

Fuzion Store, Shipping Scale, Date first available Dec. 10, 2019, [online]retrieved Sep. 8, 2022, available from [https://www.amazon.com/dp/B0823FVD6R/ref=sspa\\_dk\\_detail\\_3?psc=1&pd\\_rd\\_i=B0823FVD6R&pd\\_rd\\_w=ZU8V1&content-id=amzn1.sym.4d0ffec-3aba-4480-8fad-c6bd8f7f6b41&pf\\_rd\\_p=4d0ffec-3aba-4480-8fad-c6bd](https://www.amazon.com/dp/B0823FVD6R/ref=sspa_dk_detail_3?psc=1&pd_rd_i=B0823FVD6R&pd_rd_w=ZU8V1&content-id=amzn1.sym.4d0ffec-3aba-4480-8fad-c6bd8f7f6b41&pf_rd_p=4d0ffec-3aba-4480-8fad-c6bd) (Year: 2019).\*

Fuzion, Digital Shipping Scale, Date first available Apr. 19, 2022, [online]retrieved Sep. 9, 2022, available from [https://www.amazon.com/dp/B09Y8LQVDP/ref=sspa\\_dk\\_detail\\_0?psc=1&pd\\_rd\\_i=B09Y8LQVDP&pd\\_rd\\_w=mLK6V&content-id=amzn1.sym.4d0ffec-3aba-4480-8fad-c6bd8f7f6b41&pf\\_rd\\_p=4d0ffec-3aba-4480-8fad-c6b](https://www.amazon.com/dp/B09Y8LQVDP/ref=sspa_dk_detail_0?psc=1&pd_rd_i=B09Y8LQVDP&pd_rd_w=mLK6V&content-id=amzn1.sym.4d0ffec-3aba-4480-8fad-c6bd8f7f6b41&pf_rd_p=4d0ffec-3aba-4480-8fad-c6b) (Year: 2022).\*

\* cited by examiner

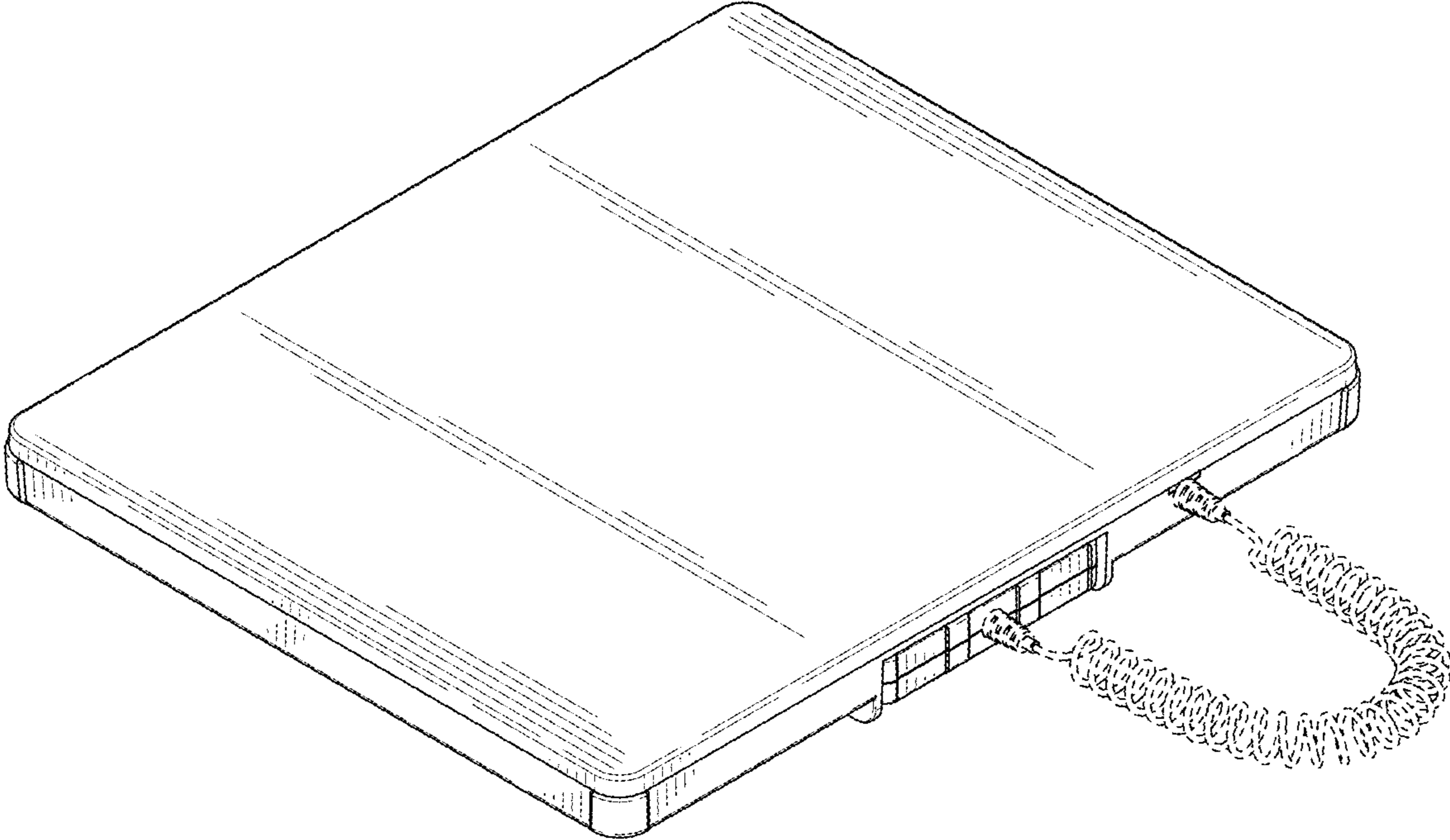


FIG. 1

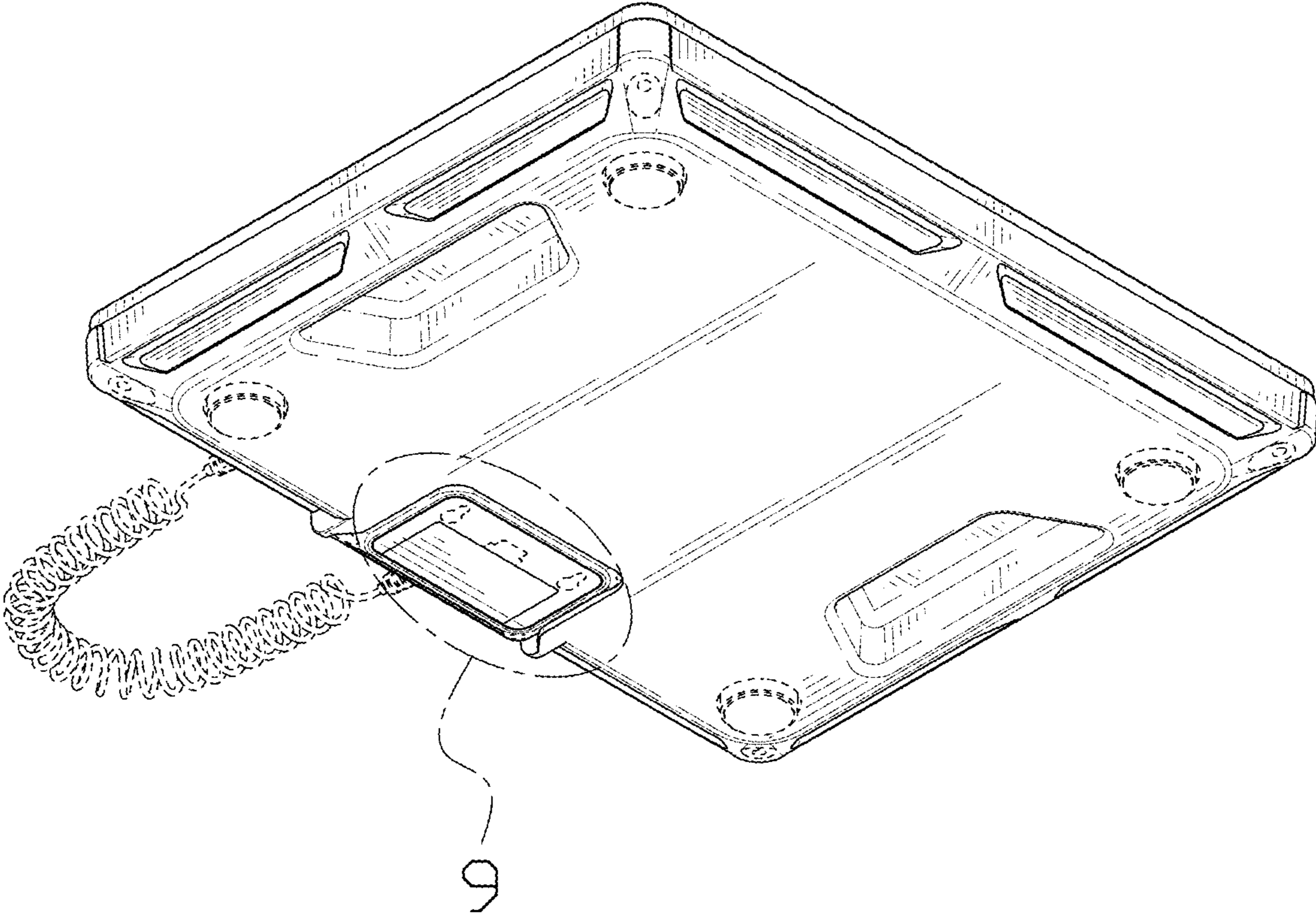


FIG. 2

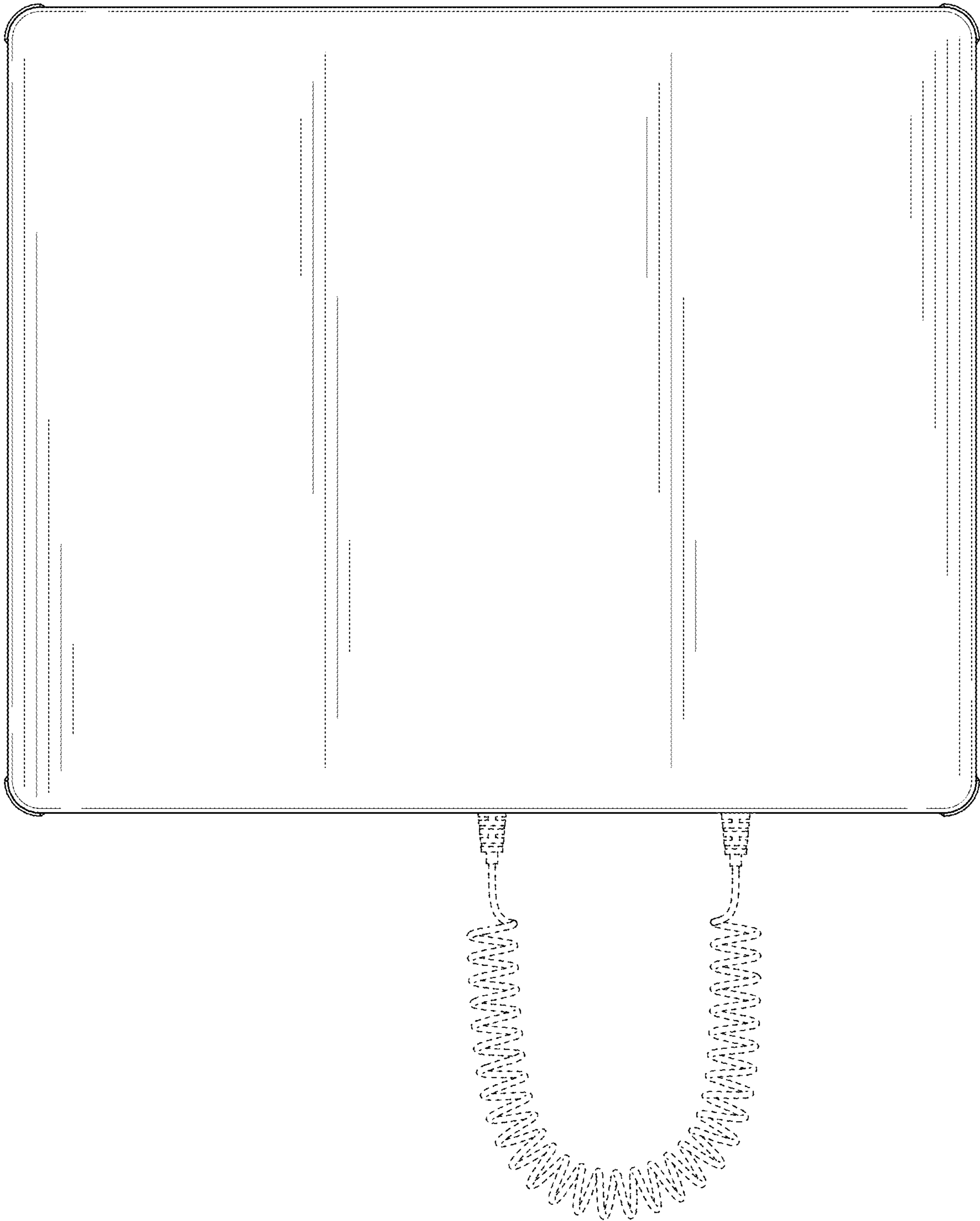


FIG. 3

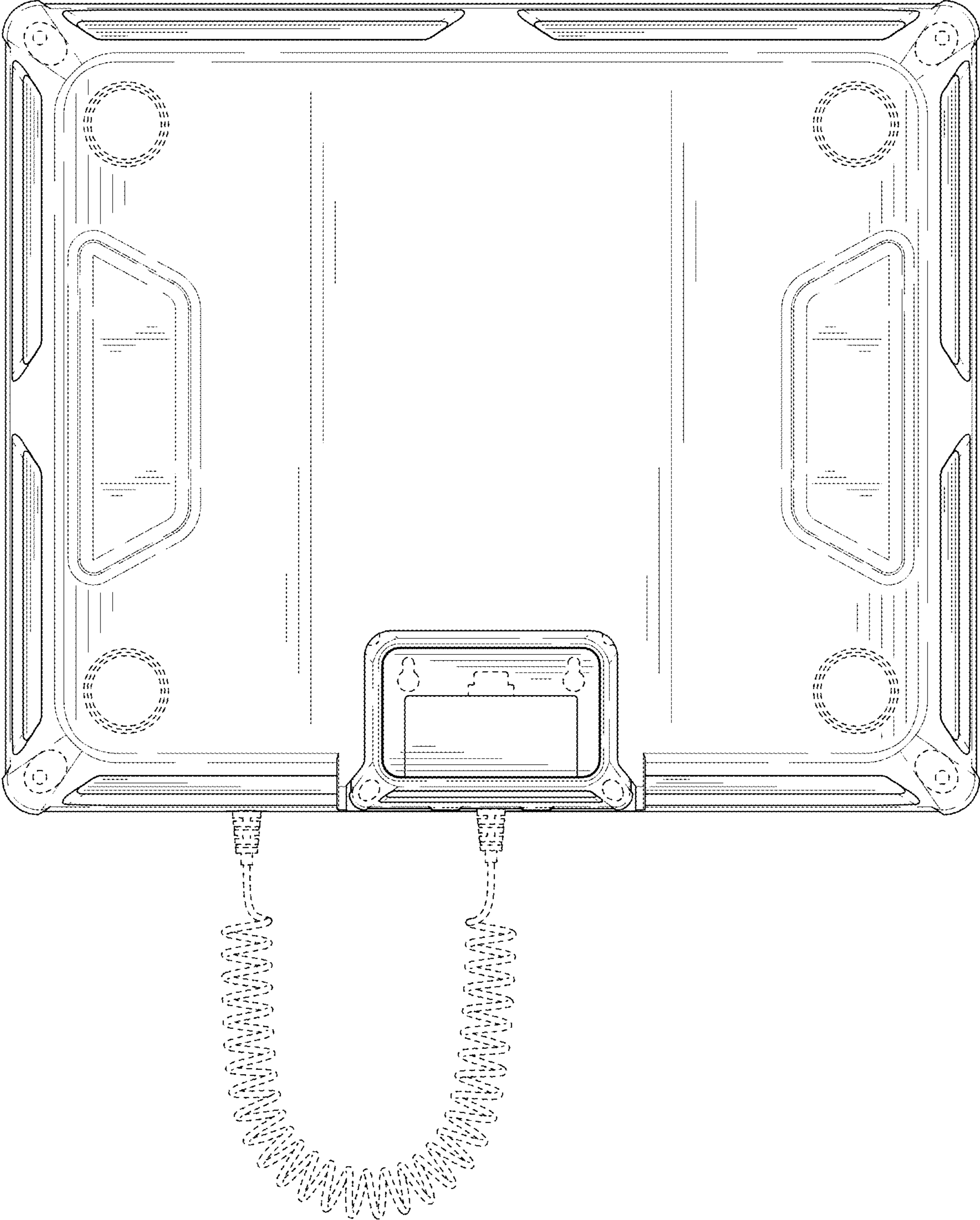


FIG. 4

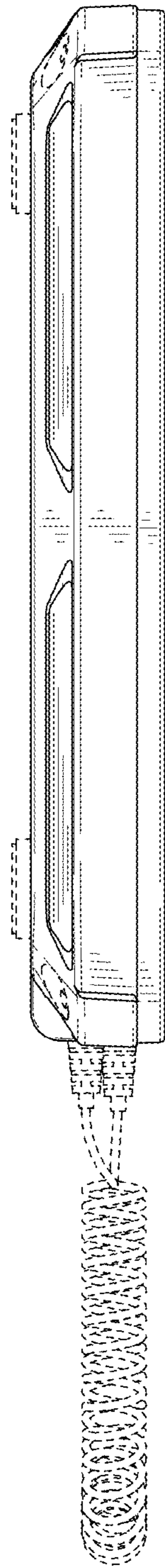


FIG. 5

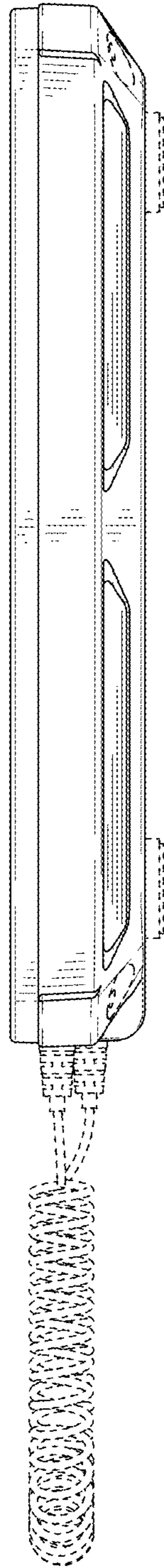


FIG. 6



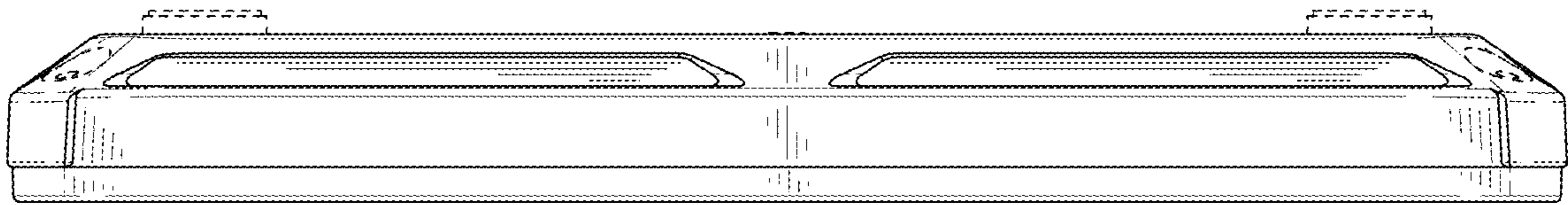


FIG. 7

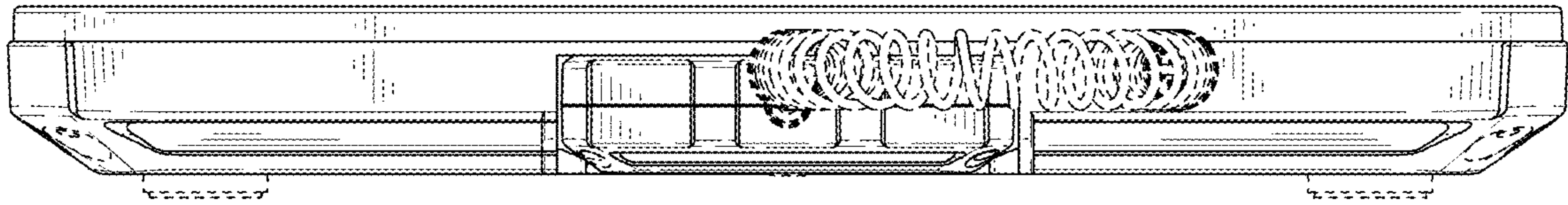


FIG. 8

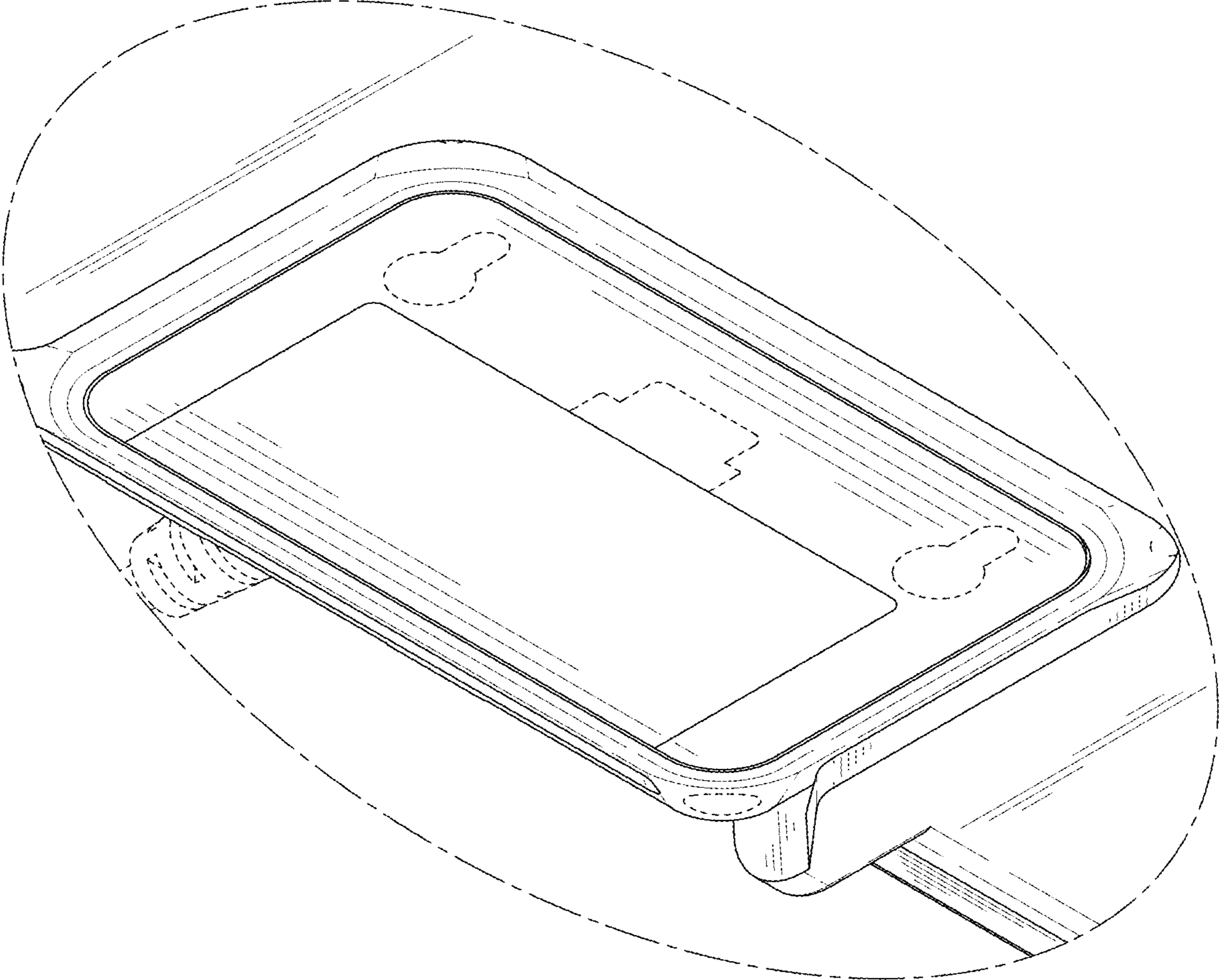


FIG. 9

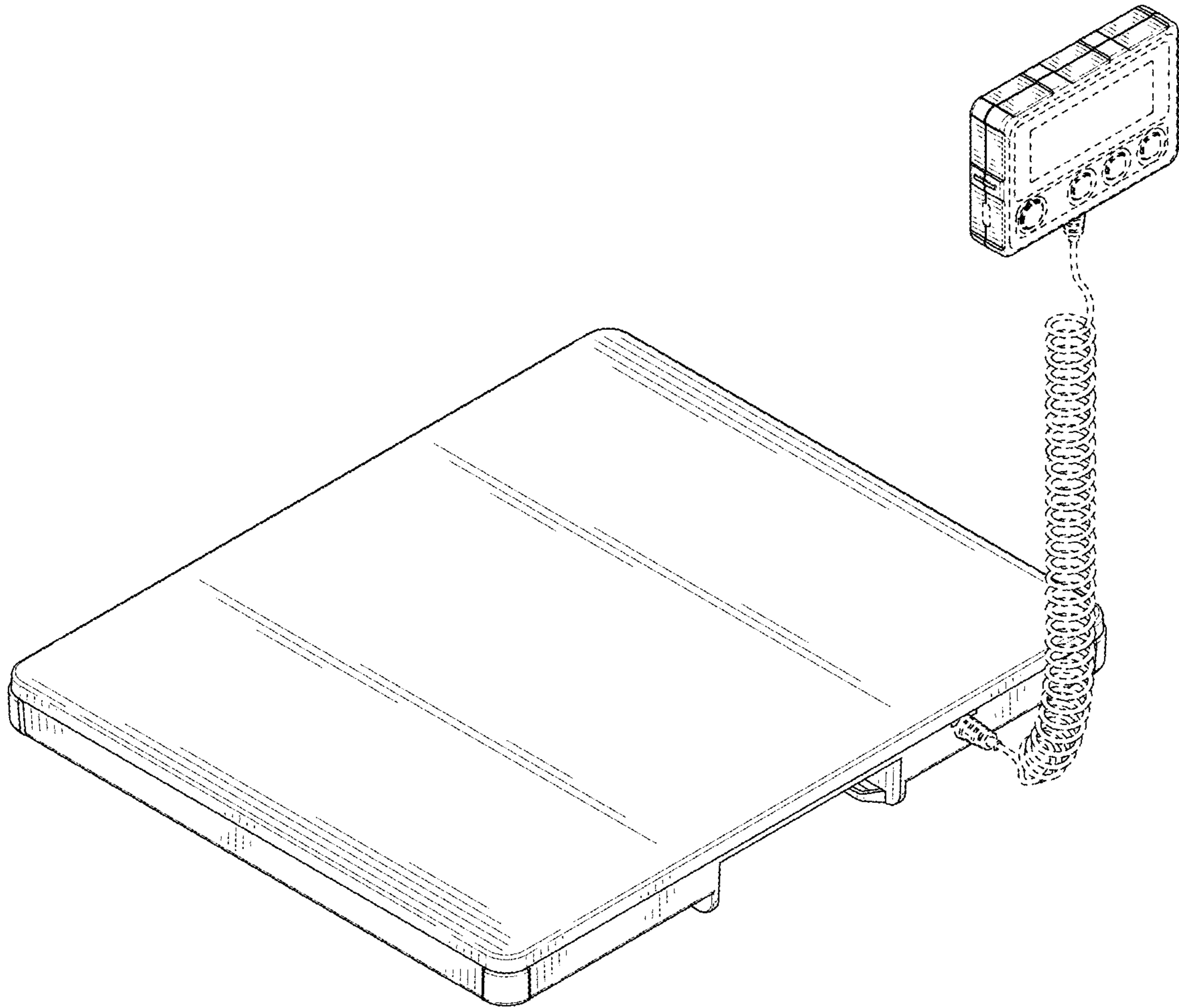


FIG. 10