



US00D976728S

(12) **United States Design Patent** (10) **Patent No.:** **US D976,728 S**
Sherman et al. (45) **Date of Patent:** **** Jan. 31, 2023**

(54) AIR CONDITIONING REFRIGERANT CHARGING DEVICE WITH DIGITAL GAUGE	D467,942 S 12/2002 Duncan 6,539,933 B1 4/2003 Cowan 6,539,988 B1 * 4/2003 Cowan B60H 1/00585 137/614.04
(71) Applicant: Energizer Auto, Inc. , St. Louis, MO (US)	D506,154 S 6/2005 Cowan et al. D511,307 S * 11/2005 Cowan D10/85 8,181,665 B2 * 5/2012 Pearl, II F25B 45/00 137/240
(72) Inventors: Michael K. Sherman , Southbury, CT (US); Kenneth A. Pfierman , West Chester, OH (US); Tushar Kulkarni , Englewood, OH (US); Jacob Fahsbender , Danbury, CT (US)	8,301,403 B2 * 10/2012 Weick F25B 45/00 702/50 D747,988 S 1/2016 Matsumiya et al. D790,379 S 6/2017 Matsumiya et al. D813,698 S 3/2018 Zhu D817,794 S 5/2018 Manning et al. D843,330 S 3/2019 Oe D845,799 S 4/2019 Wurts et al.
(73) Assignee: Energizer Auto, Inc. , St. Louis, MO (US)	

* cited by examiner

Primary Examiner — Antoine Duval Davis
(74) *Attorney, Agent, or Firm* — Lee & Hayes, P.C.

(**) Term: **15 Years**
(21) Appl. No.: **29/773,560**

(22) Filed: **Mar. 10, 2021**

Related U.S. Application Data

(62) Division of application No. 29/690,668, filed on May 9, 2019, now Pat. No. Des. 924,707.

(51) **LOC (14) Cl.** **10-04**

(52) **U.S. Cl.**
USPC **D10/84**

(58) **Field of Classification Search**
USPC D10/83, 84, 85
CPC F25B 45/00; F25B 2345/001; F25B 2345/002; F25B 2345/006; F25B 2700/04; F25B 2700/19; Y10S 62/22
See application file for complete search history.

(56) **References Cited**

U.S. PATENT DOCUMENTS

D263,125 S * 2/1982 Taylor D10/85
D467,941 S 12/2002 Duncan

(57) **CLAIM**

The ornamental design for an air conditioning refrigerant charging device with digital gauge, as shown and described.

DESCRIPTION

FIG. 1 is a front perspective view of an air conditioning refrigerant charging device with digital gauge according to the present design.

FIG. 2 is a left side elevation view thereof.

FIG. 3 is a right side elevation view thereof.

FIG. 4 is a top view thereof.

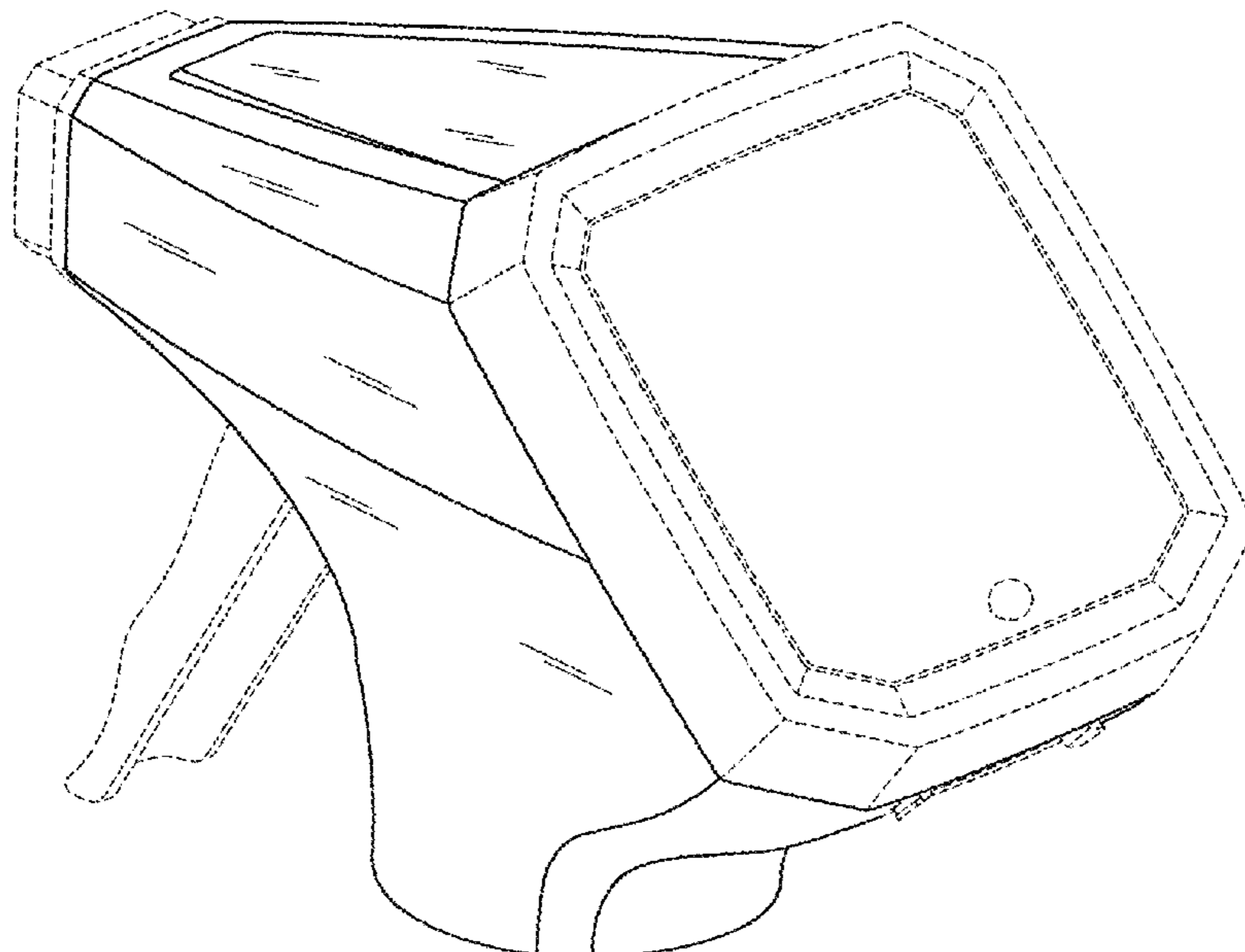
FIG. 5 is a bottom view thereof.

FIG. 6 is a rear elevation thereof; and,

FIG. 7 is a front elevation view thereof.

The broken lines shown are provided for the purpose of illustrating environmental structure and form no part of the claimed design.

1 Claim, 7 Drawing Sheets



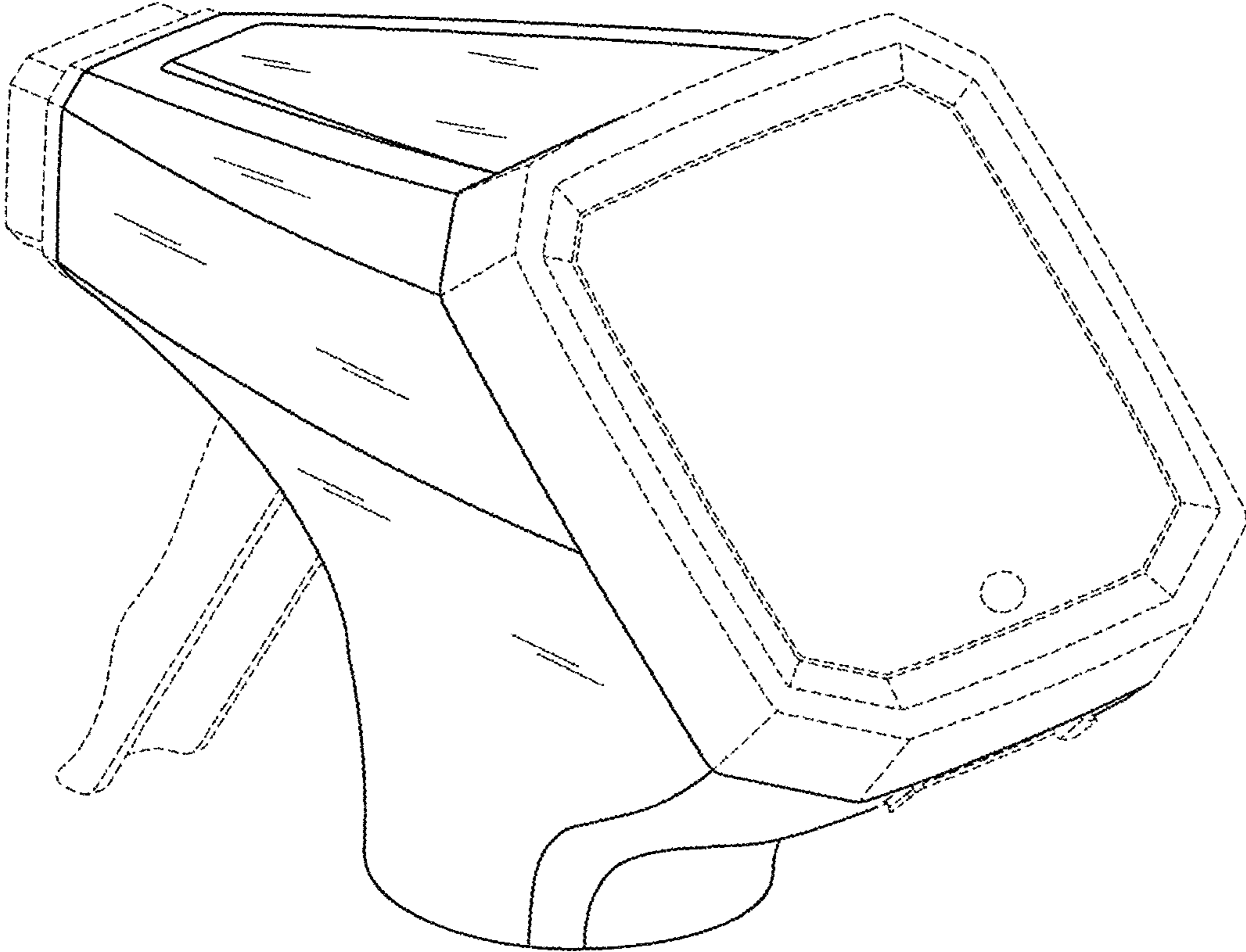


FIG. 1

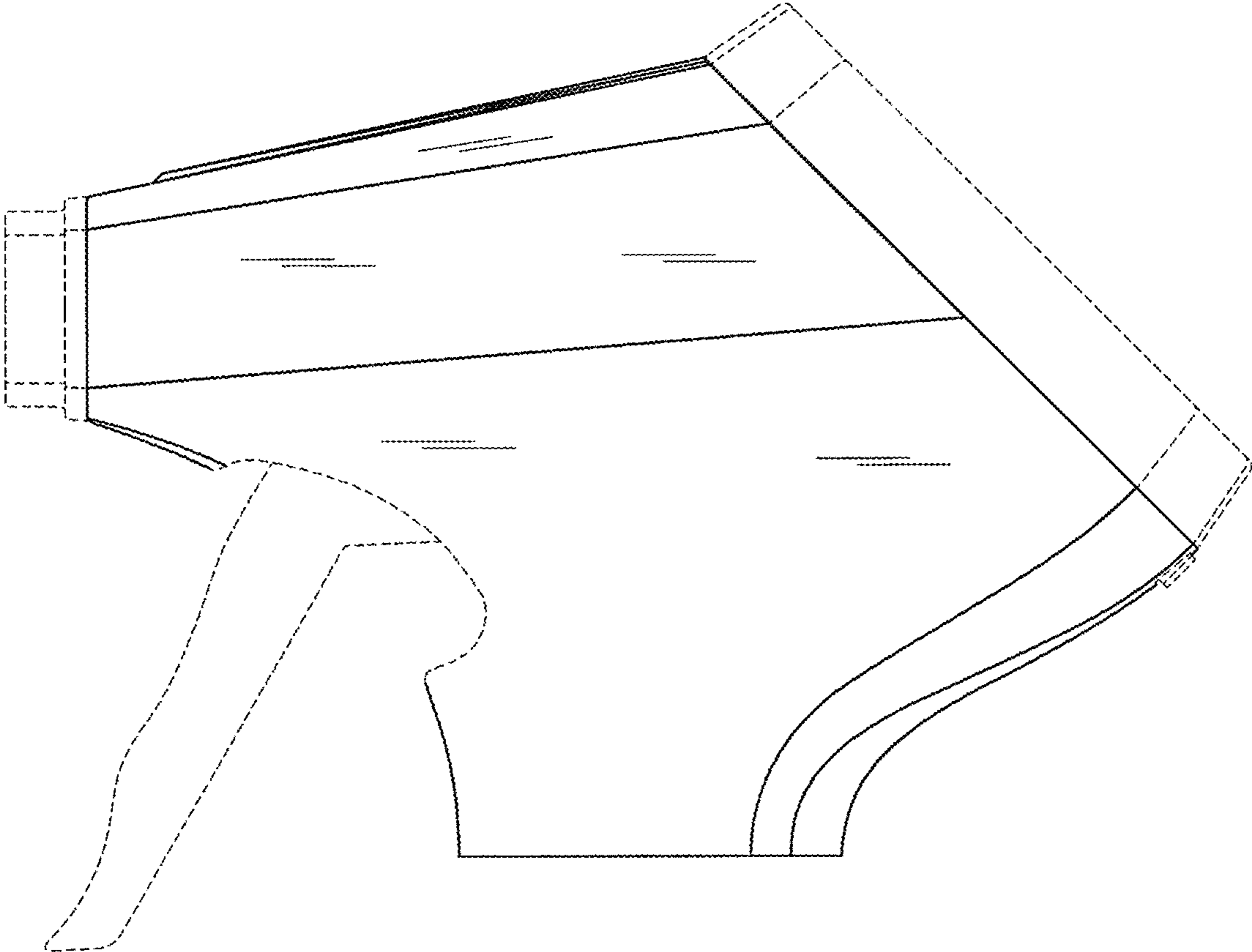


FIG. 2

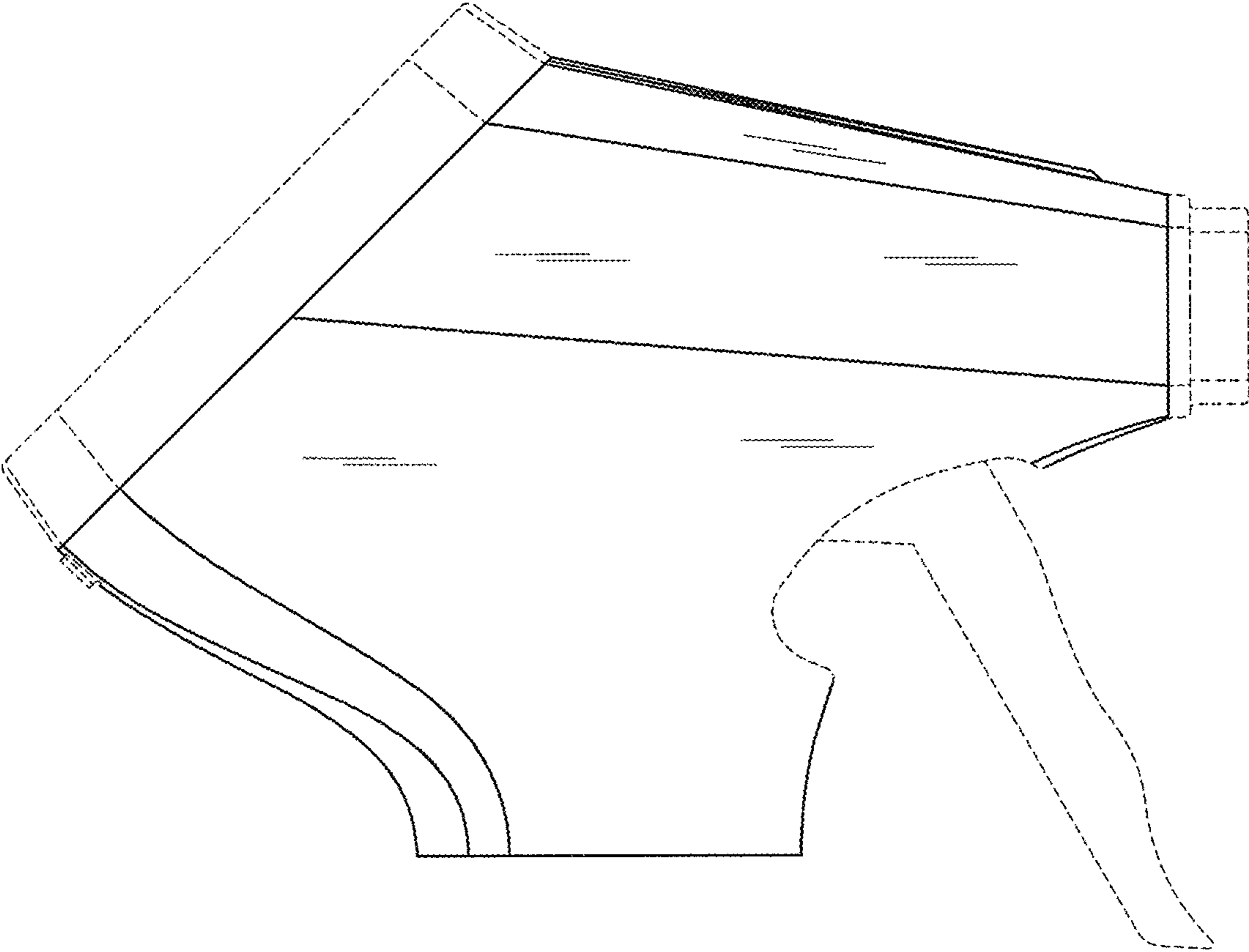


FIG. 3

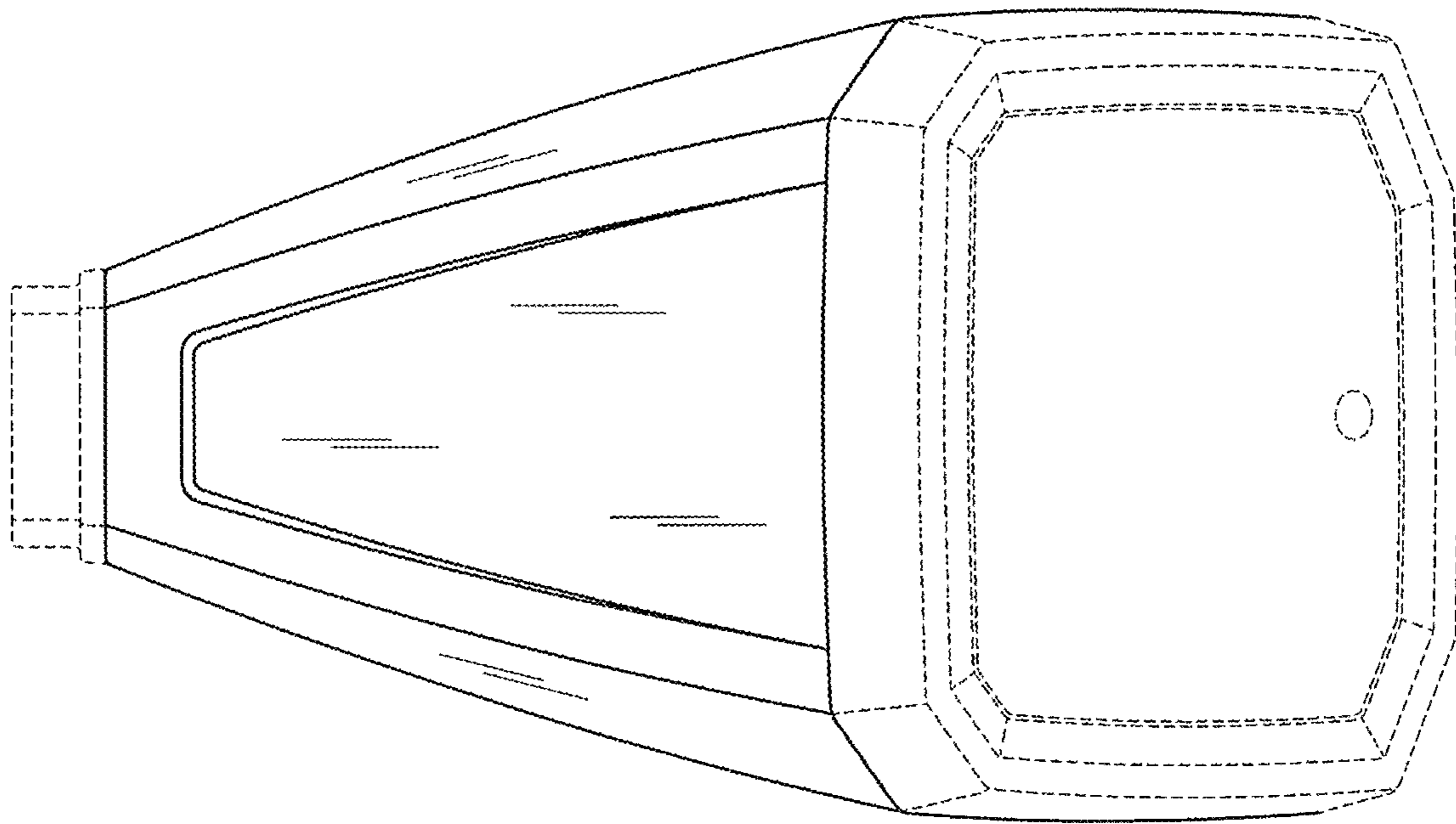


FIG. 4

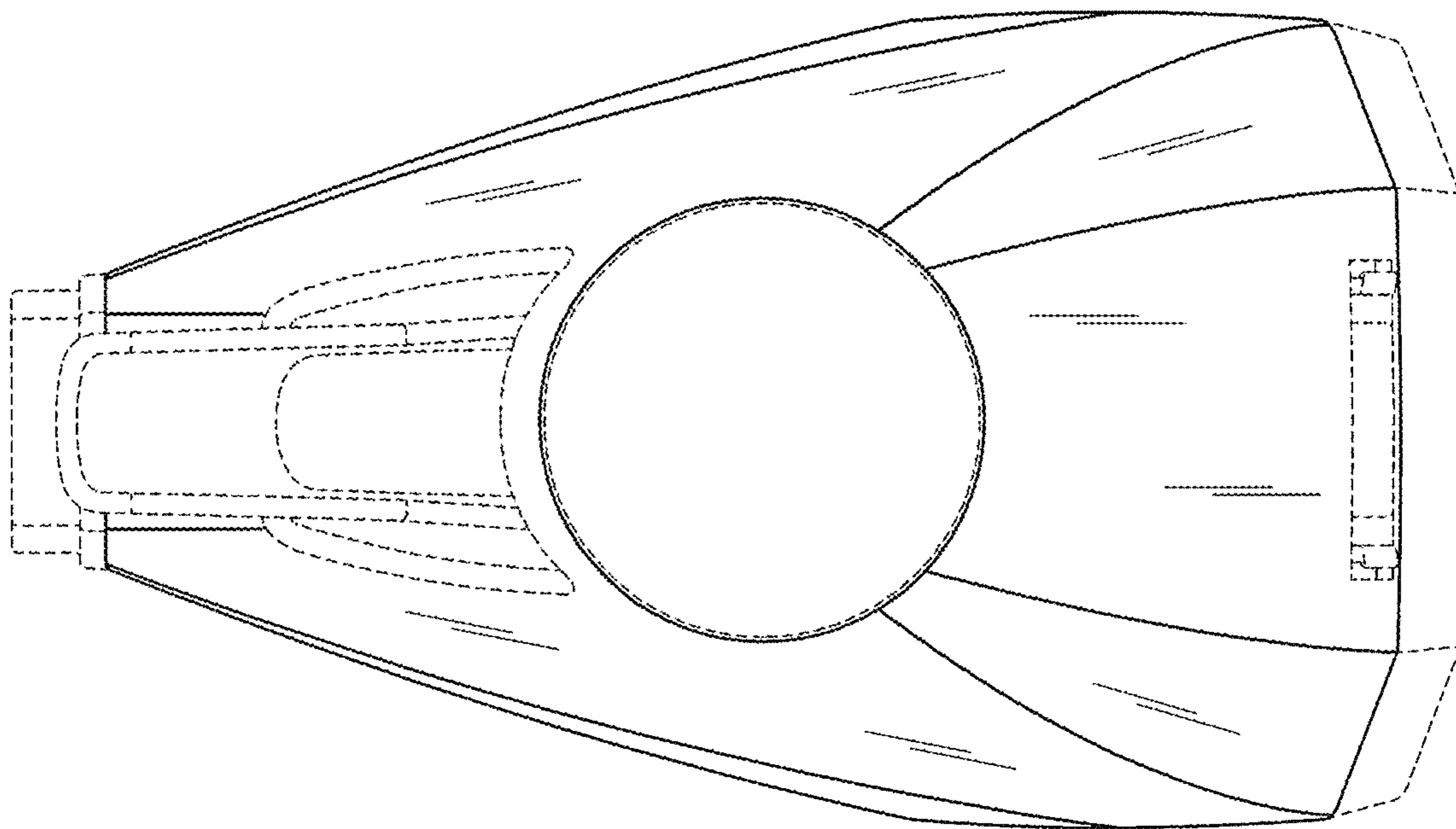


FIG. 5

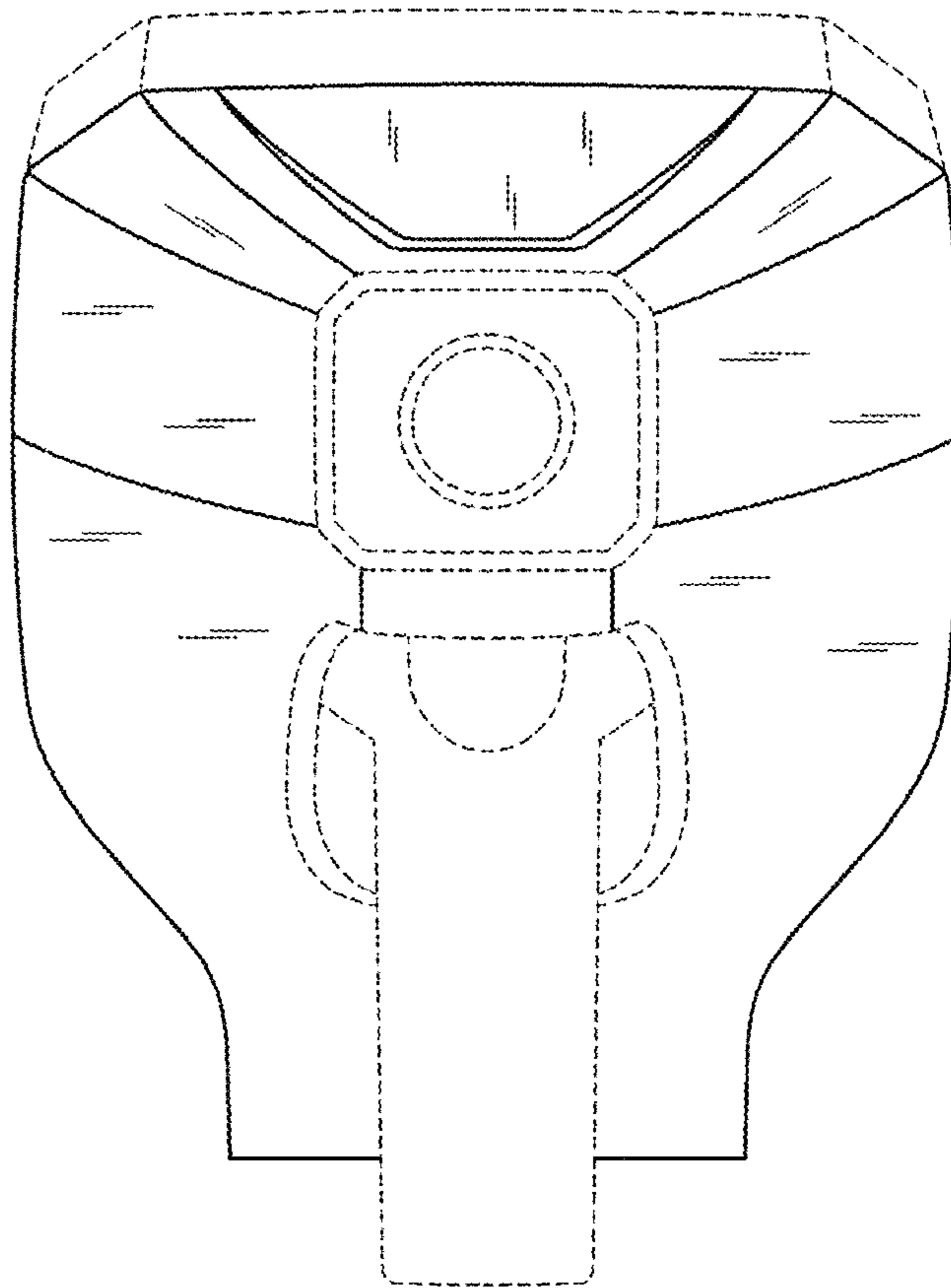


FIG. 6

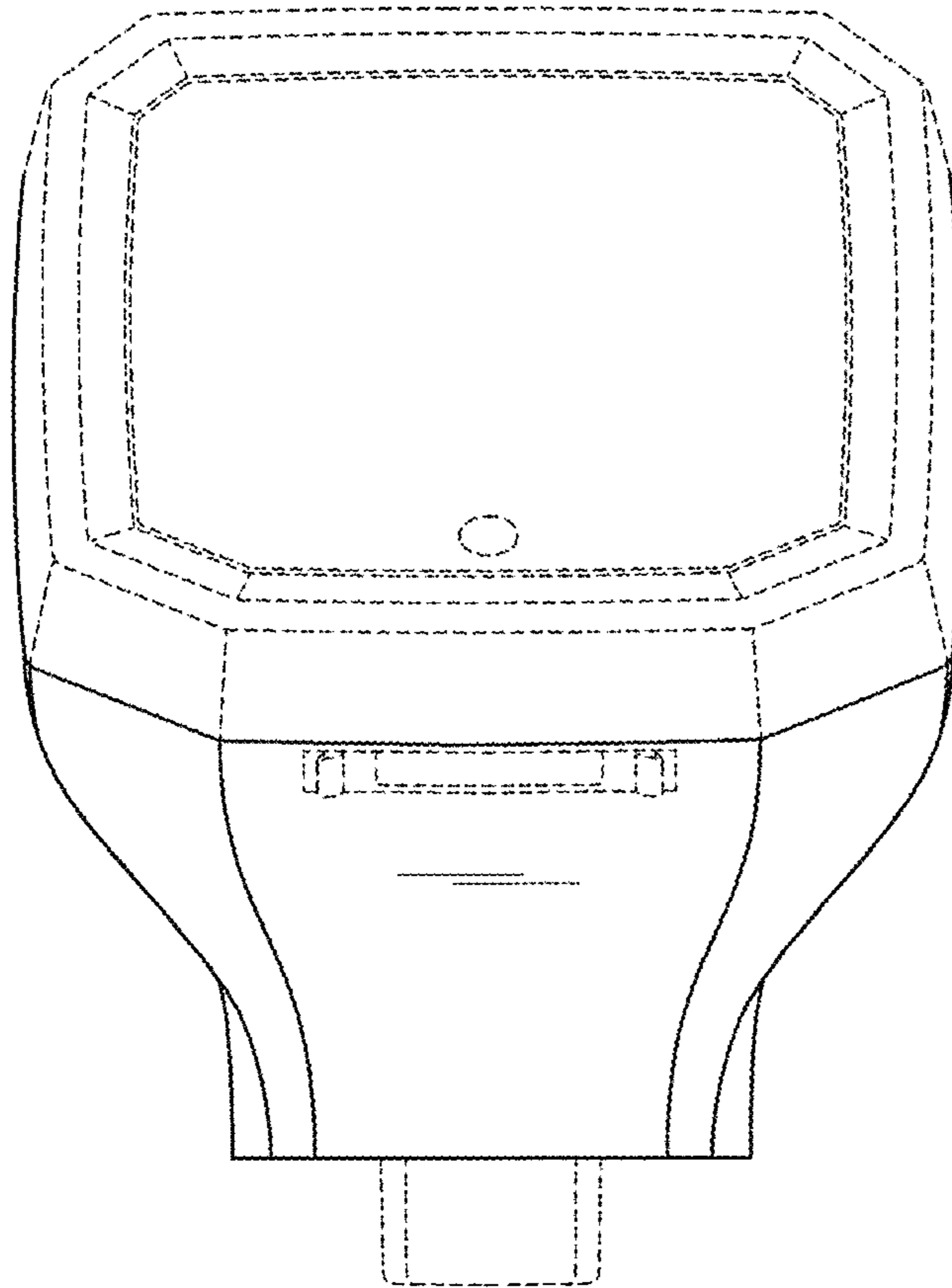


FIG. 7