



US00D976720S

(12) **United States Design Patent**  
**Yang**

(10) **Patent No.:** **US D976,720 S**  
(45) **Date of Patent:** **\*\* Jan. 31, 2023**

(54) **DIGITAL CALIPER SLIDE**

(71) Applicant: **Vick Mian Yang**, Valencia, CA (US)

(72) Inventor: **Vick Mian Yang**, Valencia, CA (US)

(\*\*) Term: **15 Years**

(21) Appl. No.: **29/788,101**

(22) Filed: **Mar. 15, 2021**

(51) **LOC (14) Cl.** ..... **10-04**

(52) **U.S. Cl.**  
USPC ..... **D10/73**

(58) **Field of Classification Search**  
USPC ..... D10/73  
CPC ..... G01B 3/20; G01B 3/205; G01B 3/18  
See application file for complete search history.

(56) **References Cited**

**U.S. PATENT DOCUMENTS**

D444,083 S	*	6/2001	Ohtani	.....	D10/73
D662,842 S	*	7/2012	Zhang	.....	D10/73
D695,638 S	*	12/2013	Zhang	.....	D10/73
D758,904 S	*	6/2016	Edwards	.....	D10/73
D774,928 S	*	12/2016	Matsumiya	.....	D10/73
D794,479 S	*	8/2017	Zhang	.....	D10/73
D806,590 S	*	1/2018	Yang	.....	D10/73

\* cited by examiner

*Primary Examiner* — Antoine Duval Davis

(74) *Attorney, Agent, or Firm* — Dunlap Bennett & Ludwig, PLLC

(57) **CLAIM**

The ornamental design for a digital caliper slide, as shown and described.

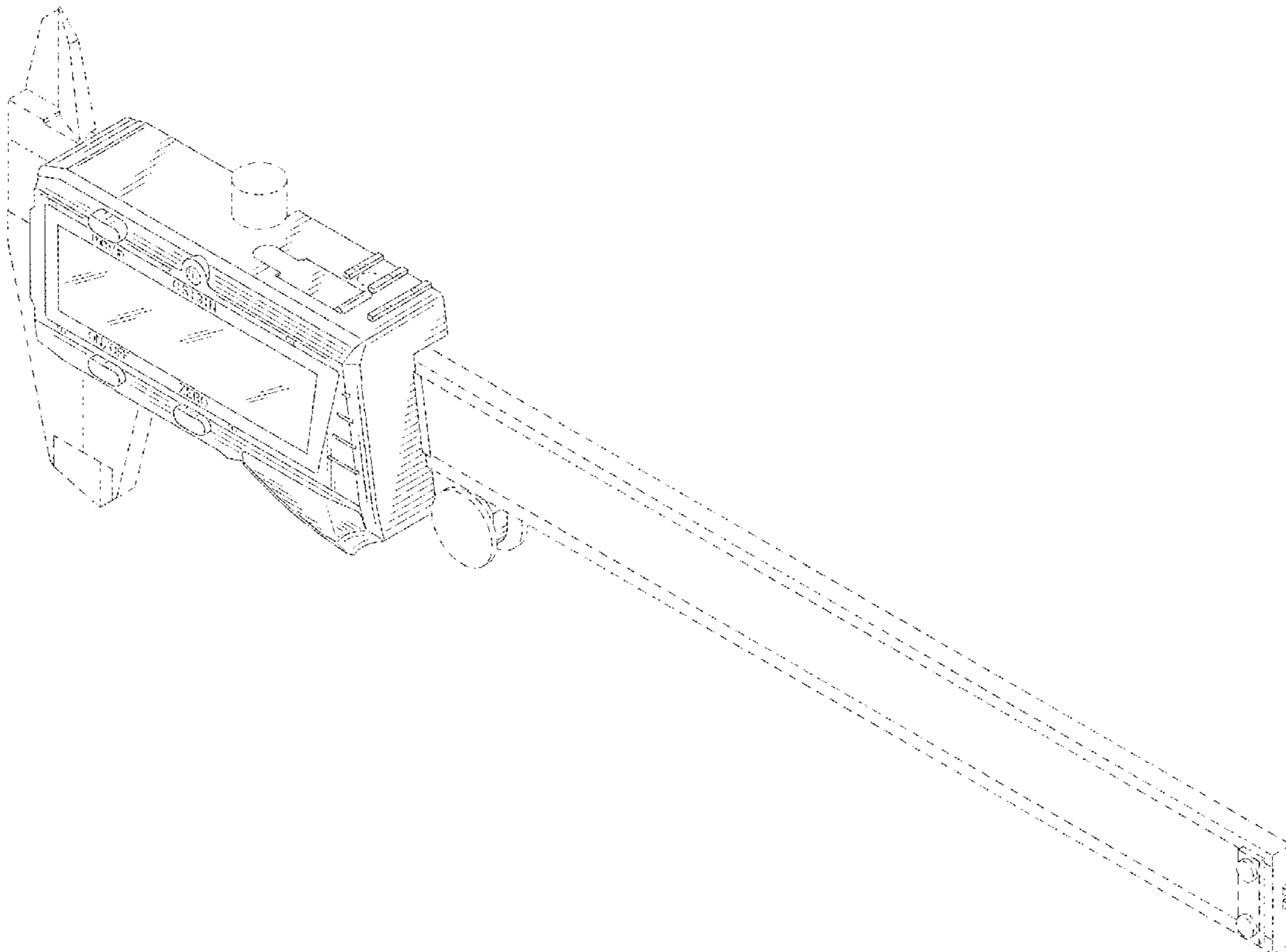
**DESCRIPTION**

FIG. 1 is a bottom front perspective view of a digital caliper slide, showing my new design;  
FIG. 2 is a front elevation view thereof;  
FIG. 3 is a rear elevation view thereof;  
FIG. 4 is a right-side elevation view thereof;  
FIG. 5 is a left-side elevation view thereof;  
FIG. 6 is a top plan view thereof;  
FIG. 7 is a bottom plan view thereof; and,  
FIG. 8 is a reduced top front perspective view, showing the digital caliper slide in use.

The equally-sized dash-dash broken lines showing a caliper in FIG. 8 depicts environmental subject matter that forms no part of the claimed design, while the remaining equally-sized dash-dash broken lines shown in the drawings depict portions of the digital caliper slide that form no part of the claimed design.

The unequally-sized dot-dash-dot broken lines shown in the drawings depict the bounds of the claimed design, and these unequally-sized dot-dash-dot broken lines form no part of the claimed design.

**1 Claim, 4 Drawing Sheets**



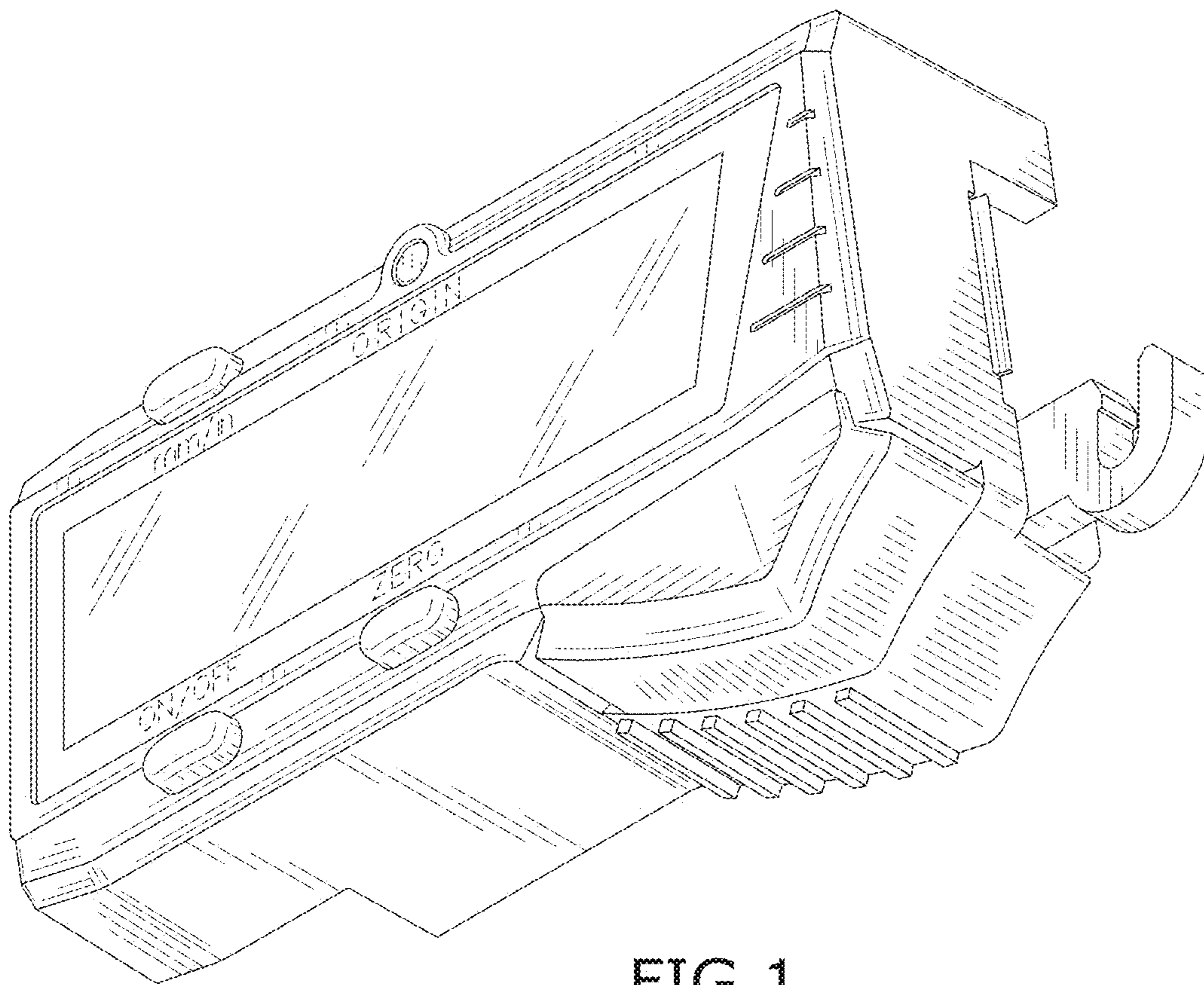


FIG. 1

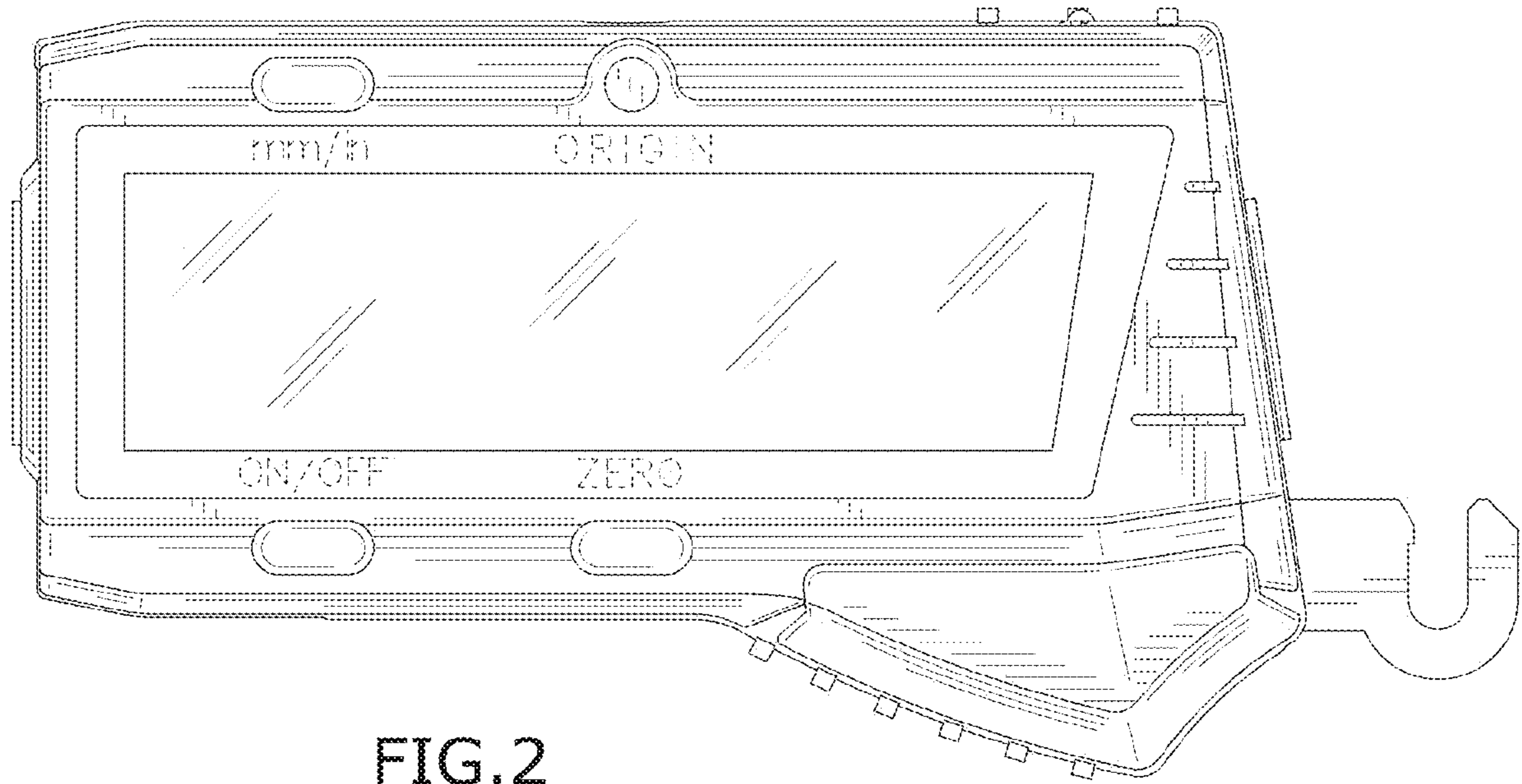


FIG. 2

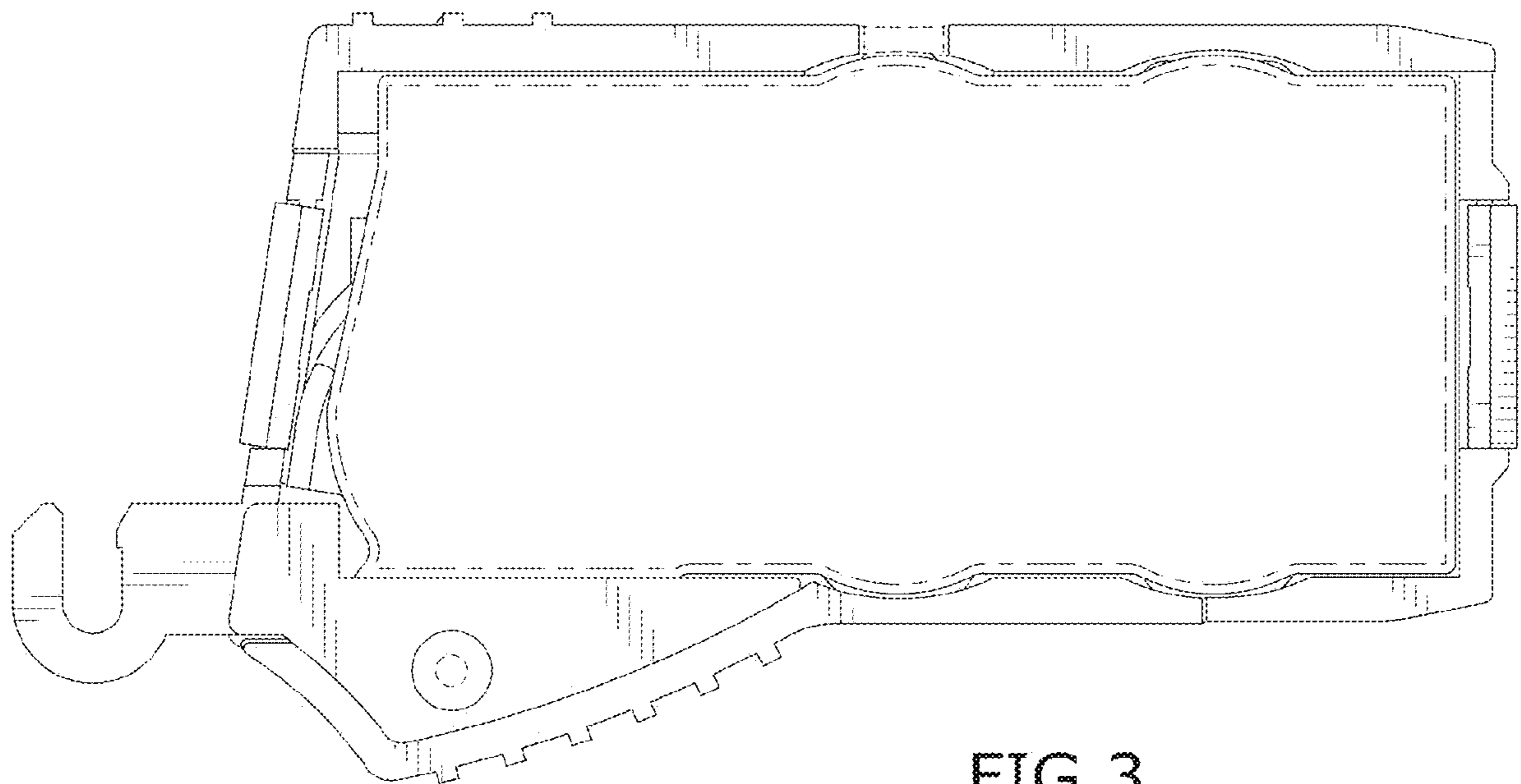


FIG. 3

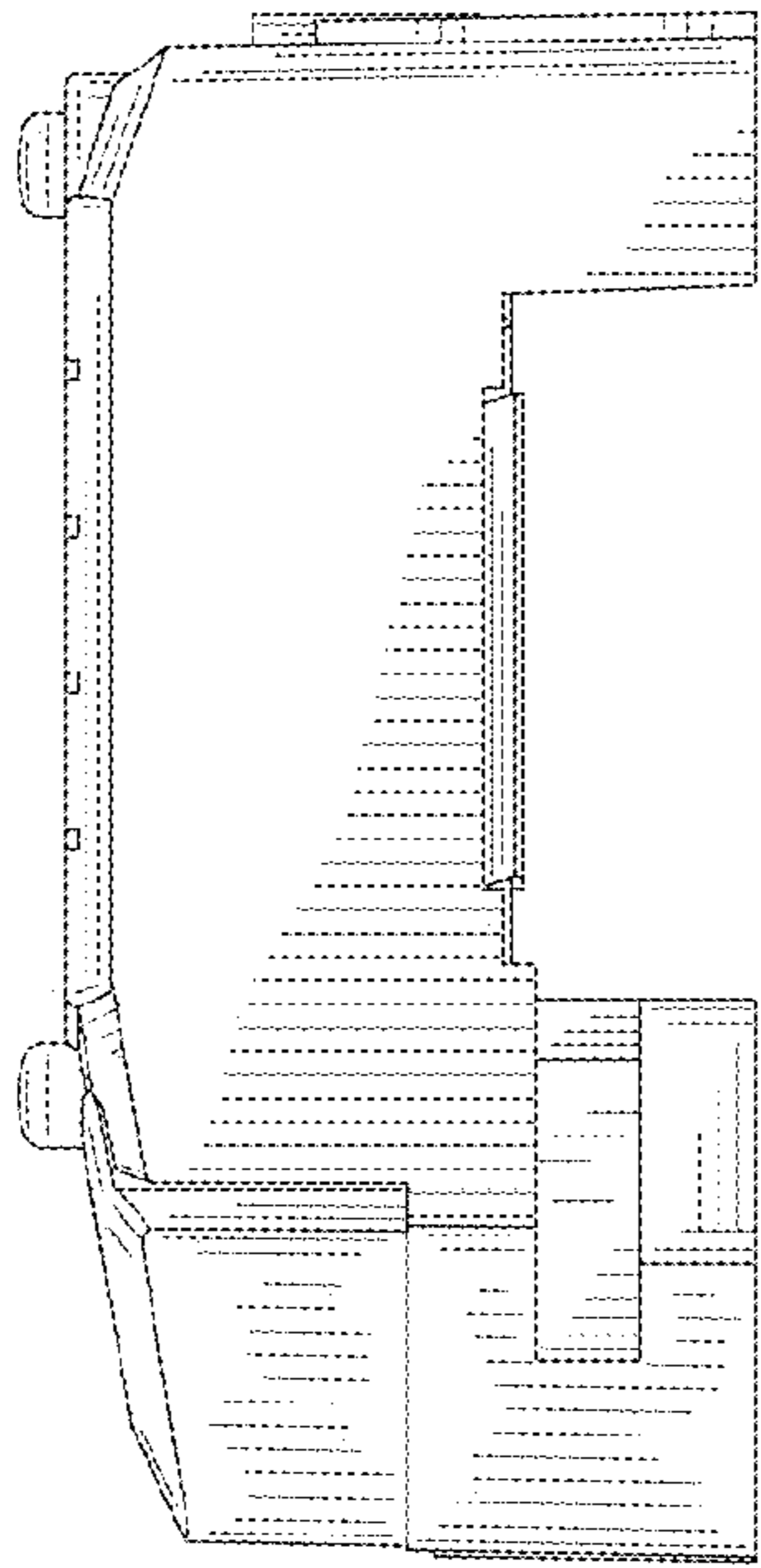


FIG. 4

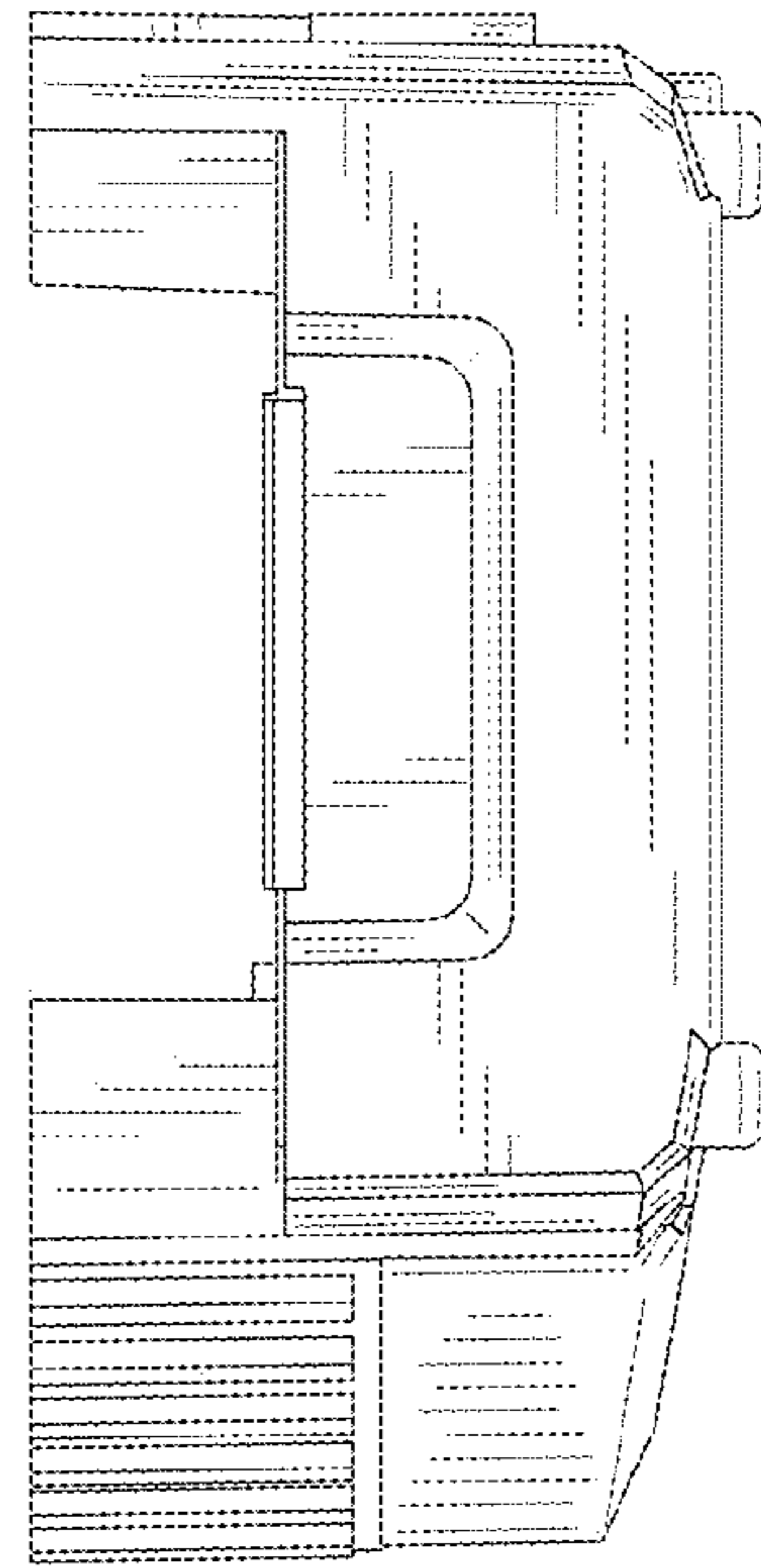


FIG. 5

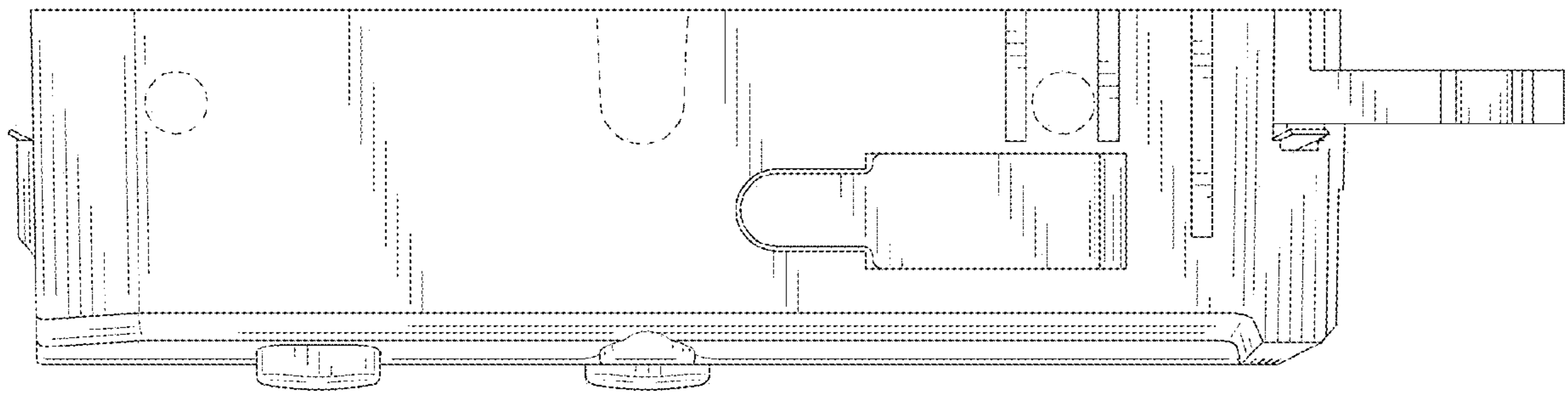


FIG. 6

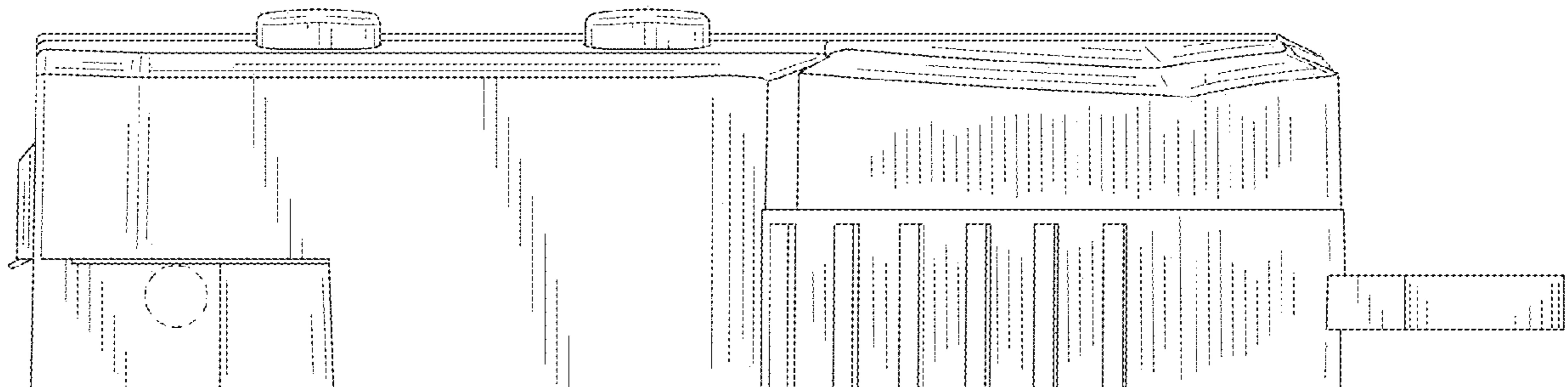


FIG. 7

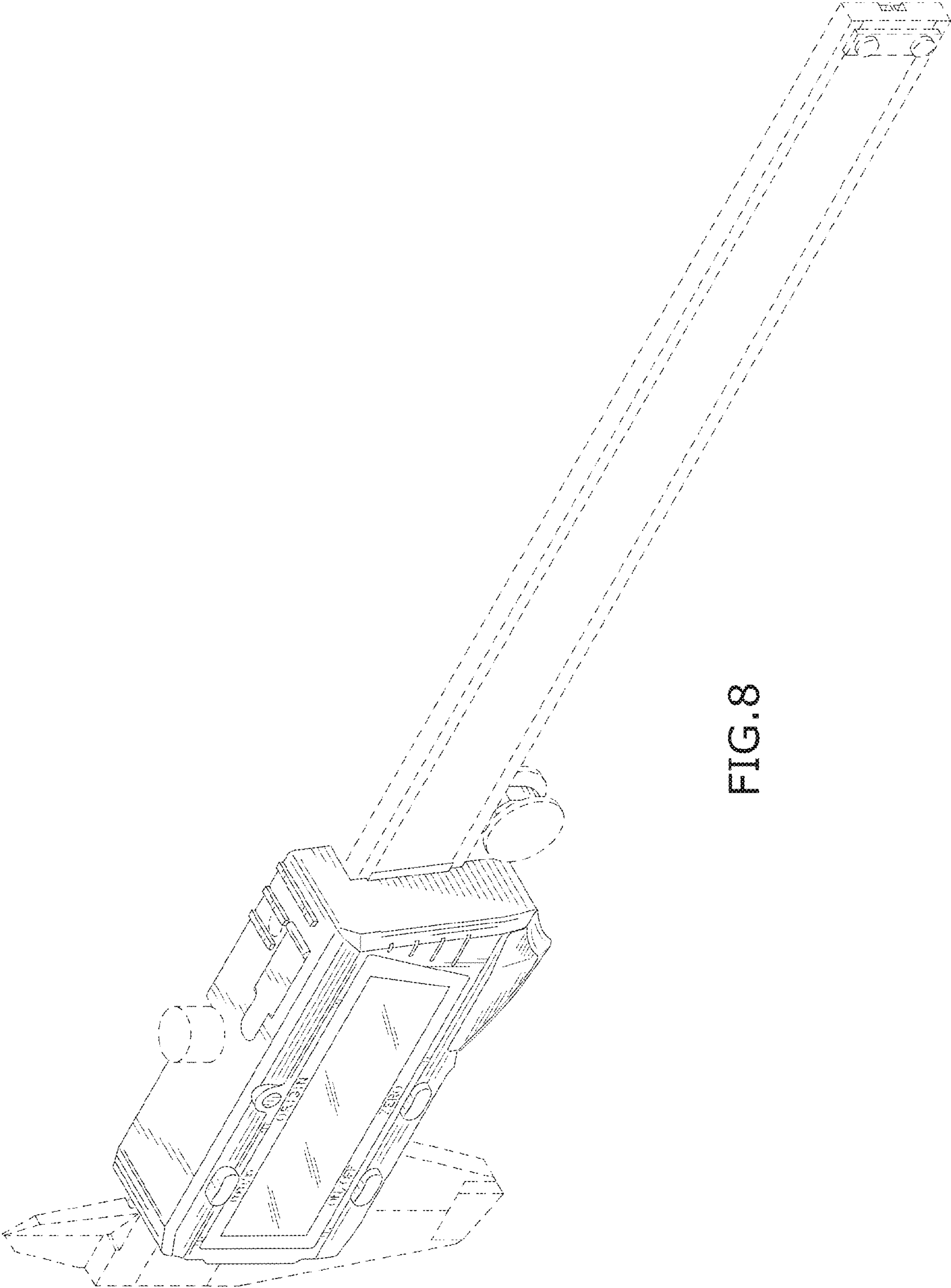


FIG.8