



US00D976718S

(12) **United States Design Patent** (10) **Patent No.:** **US D976,718 S**
Xia (45) **Date of Patent:** **** Jan. 31, 2023**

(54) **MULTIFUNCTIONAL TRIANGULAR RULER**

(71) Applicant: **Ruisi Xia**, Yongkang (CN)

(72) Inventor: **Ruisi Xia**, Yongkang (CN)

(**) Term: **15 Years**

(21) Appl. No.: **29/843,200**

(22) Filed: **Jun. 19, 2022**

(51) **LOC (14) Cl.** **10-04**

(52) **U.S. Cl.**
USPC **D10/65**

(58) **Field of Classification Search**
USPC D10/61, 62, 64, 65, 66, 69, 70-71
CPC B43L 7/0275; G01B 3/566
See application file for complete search history.

(56) **References Cited**

U.S. PATENT DOCUMENTS

D306,980 S *	4/1990	Pivovarovf	D10/61
5,077,910 A *	1/1992	Smith	G01B 3/1084
			D10/65
D428,348 S *	7/2000	Hatfield	D10/65
D445,700 S *	7/2001	Mapston	D10/65
D460,924 S *	7/2002	Hitchcock	D10/62
D491,823 S *	6/2004	Schwarm	D10/65
D659,031 S *	5/2012	MacKay	D10/65
D659,561 S *	5/2012	Liao	D10/65
D710,221 S *	8/2014	Buzzell	D10/65
D717,675 S *	11/2014	Lin	D10/65
D814,322 S *	4/2018	Pepper	D10/65
D866,360 S *	11/2019	Mackey	D10/65
D866,361 S *	11/2019	Draeger	D10/65
D887,872 S *	6/2020	Mackey	D10/65
D887,873 S *	6/2020	Draeger	D10/65
D933,506 S *	10/2021	Kurani et al.	
D951,785 S *	5/2022	Turley	D10/65

2007/0277387 A1 *	12/2007	Morrell	B43L 12/02
			33/429
2016/0245635 A1 *	8/2016	Cramer	G01B 3/1041
2021/0310782 A1 *	10/2021	Strong	G01C 9/34
2022/0026190 A1 *	1/2022	Jones	G01B 3/566

FOREIGN PATENT DOCUMENTS

DE 202020105370 U1 * 11/2020

OTHER PUBLICATIONS

Necygoo Triangle Ruler | amazon.com; date 1st available Nov. 17, 2021 [online]. © 1996-2022, Amazon.com, Inc [retrieved Sep. 24, 2022] from Internet: <https://www.amazon.com/Necygoo-Multi-Angle-Woodworking-Adjustable-Construction/dp/B09M3XL242/ref=sr_1_125?keywords=folding+ruler&qid=1664055007&sr=8-1-125> (Year: 2021).*

* cited by examiner

Primary Examiner — Katherine Glennon

(74) *Attorney, Agent, or Firm* — Che-Yang Chen

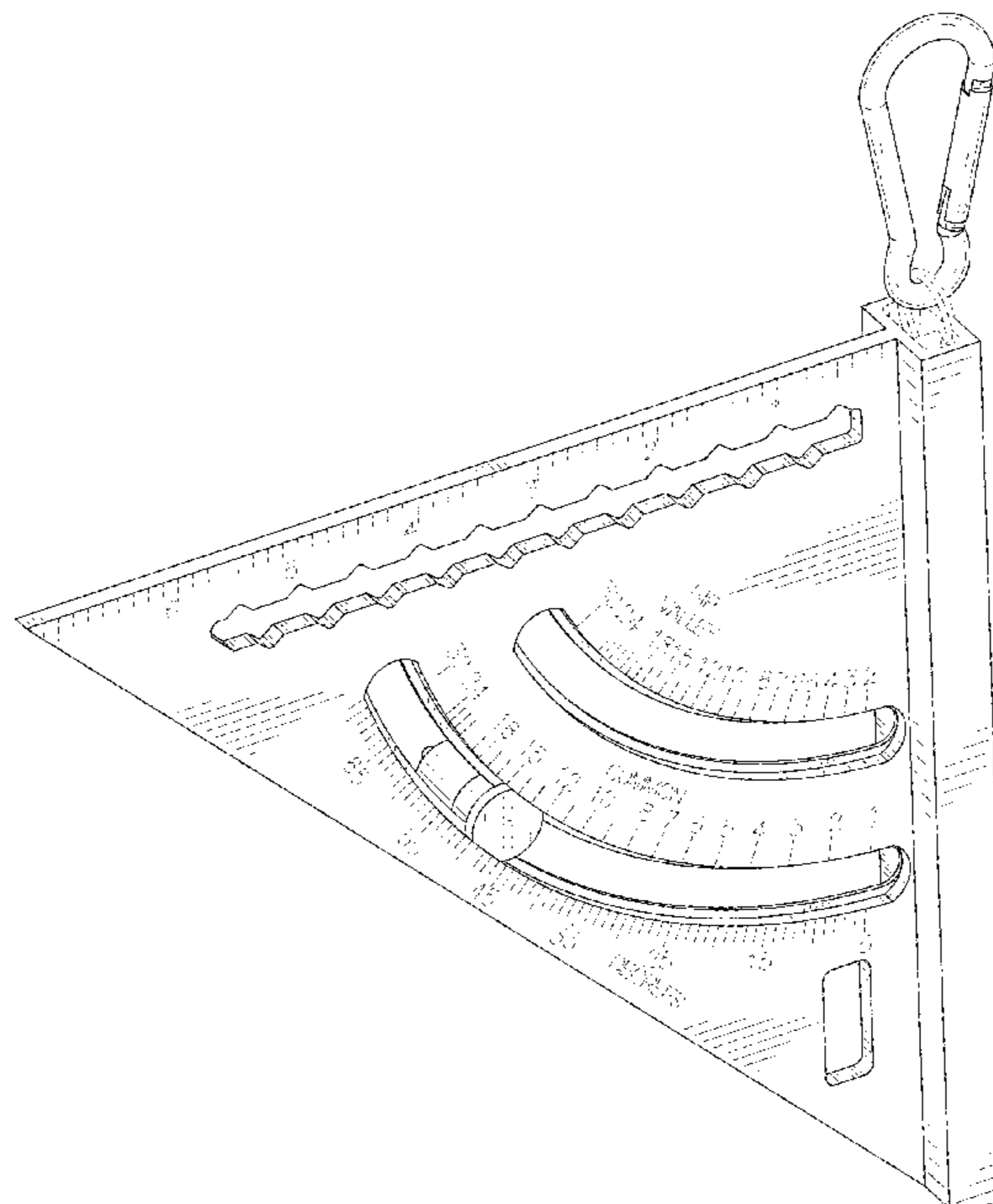
(57) **CLAIM**

The ornamental design for a multifunctional triangular ruler, as shown and described.

DESCRIPTION

FIG. 1 is a perspective view of the multifunctional triangular ruler showing my new design;
FIG. 2 is a perspective view thereof from another angle;
FIG. 3 is a front elevational view thereof;
FIG. 4 is a rear elevational view thereof;
FIG. 5 is a left side elevational view thereof;
FIG. 6 is a right side elevational view thereof;
FIG. 7 is a top plan view thereof;
FIG. 8 is a bottom plan view thereof; and,
FIG. 9 is a perspective view thereof, with a portion shown separately for ease of illustration.

1 Claim, 9 Drawing Sheets



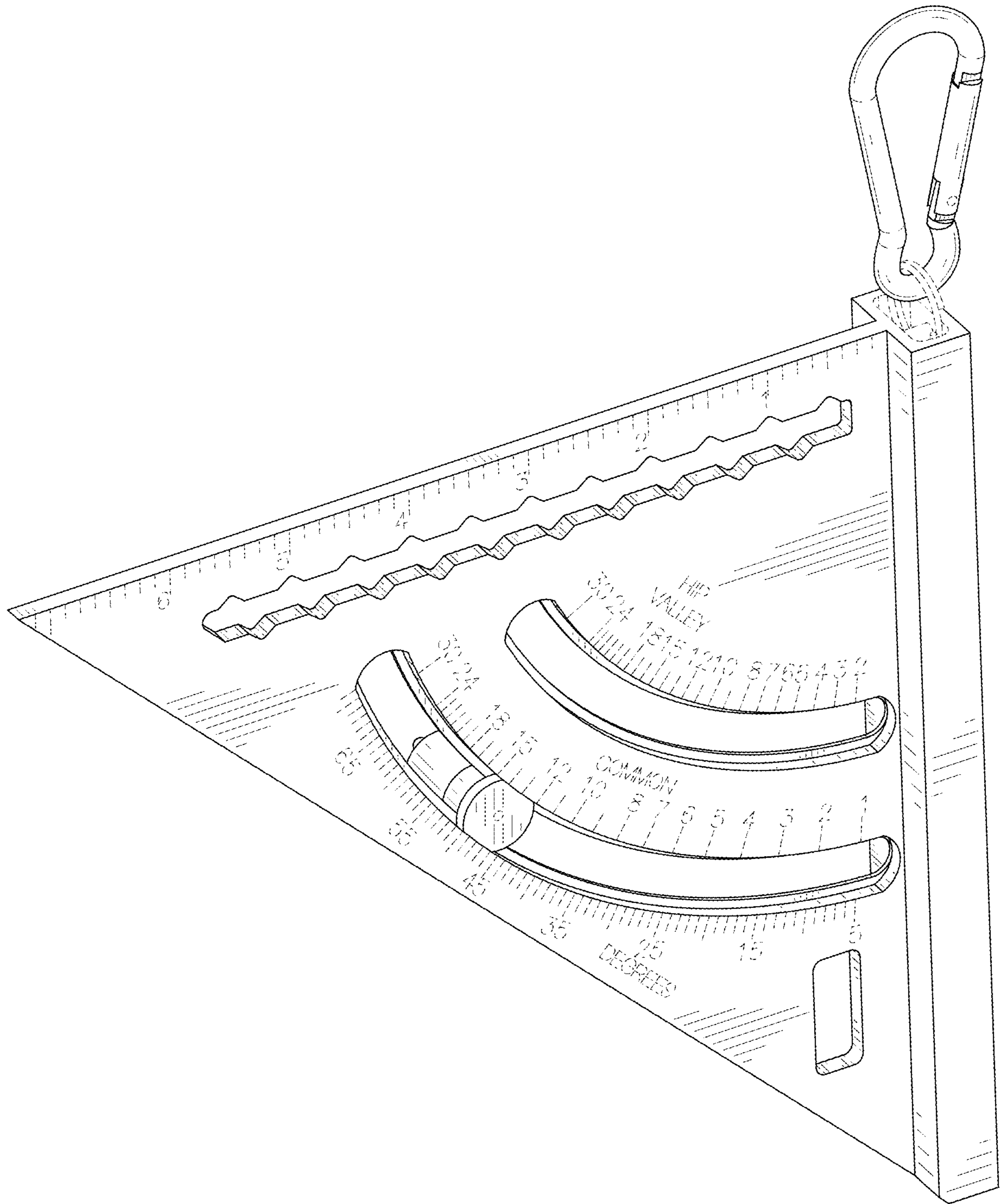


FIG. 1

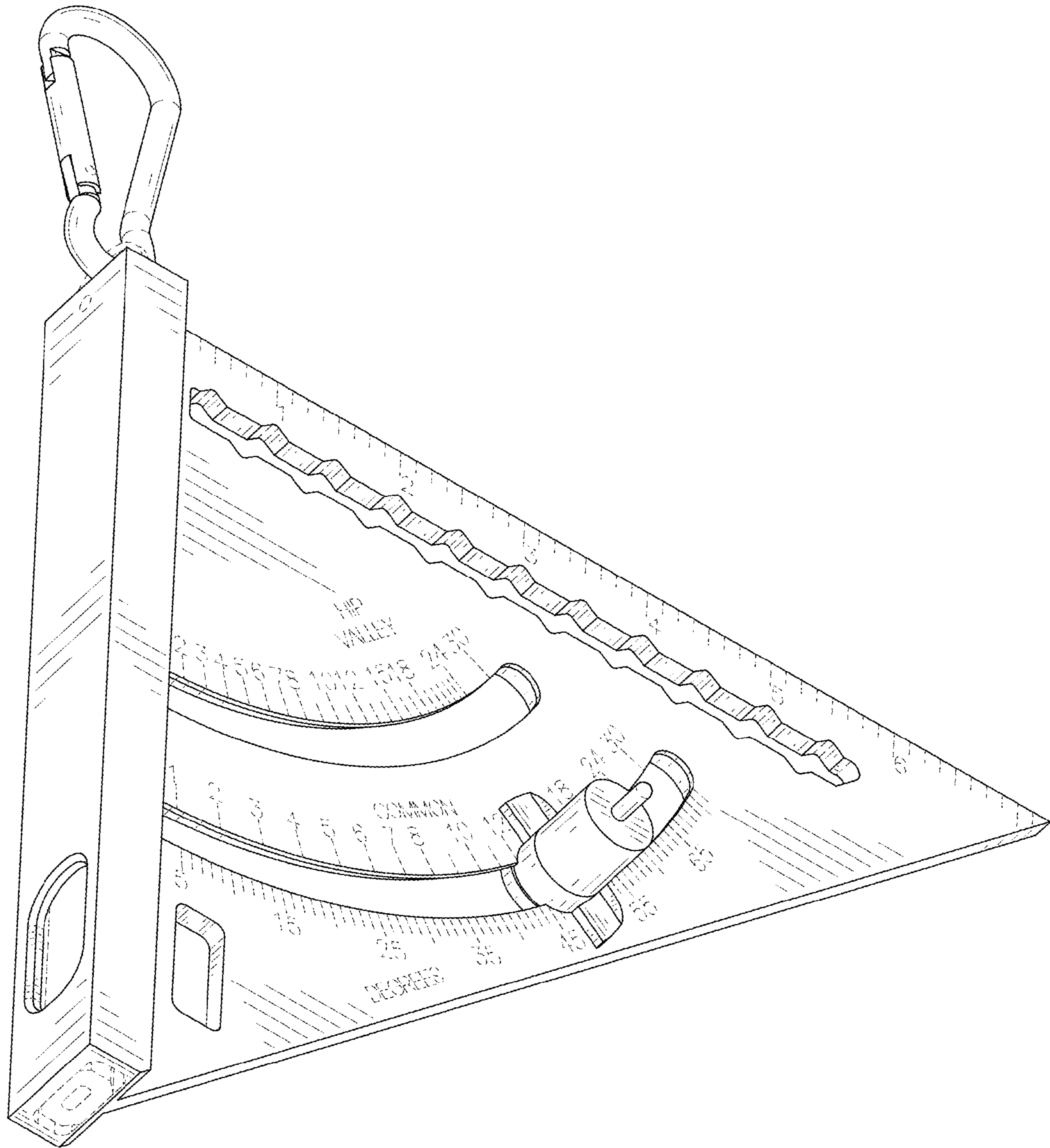


FIG. 2

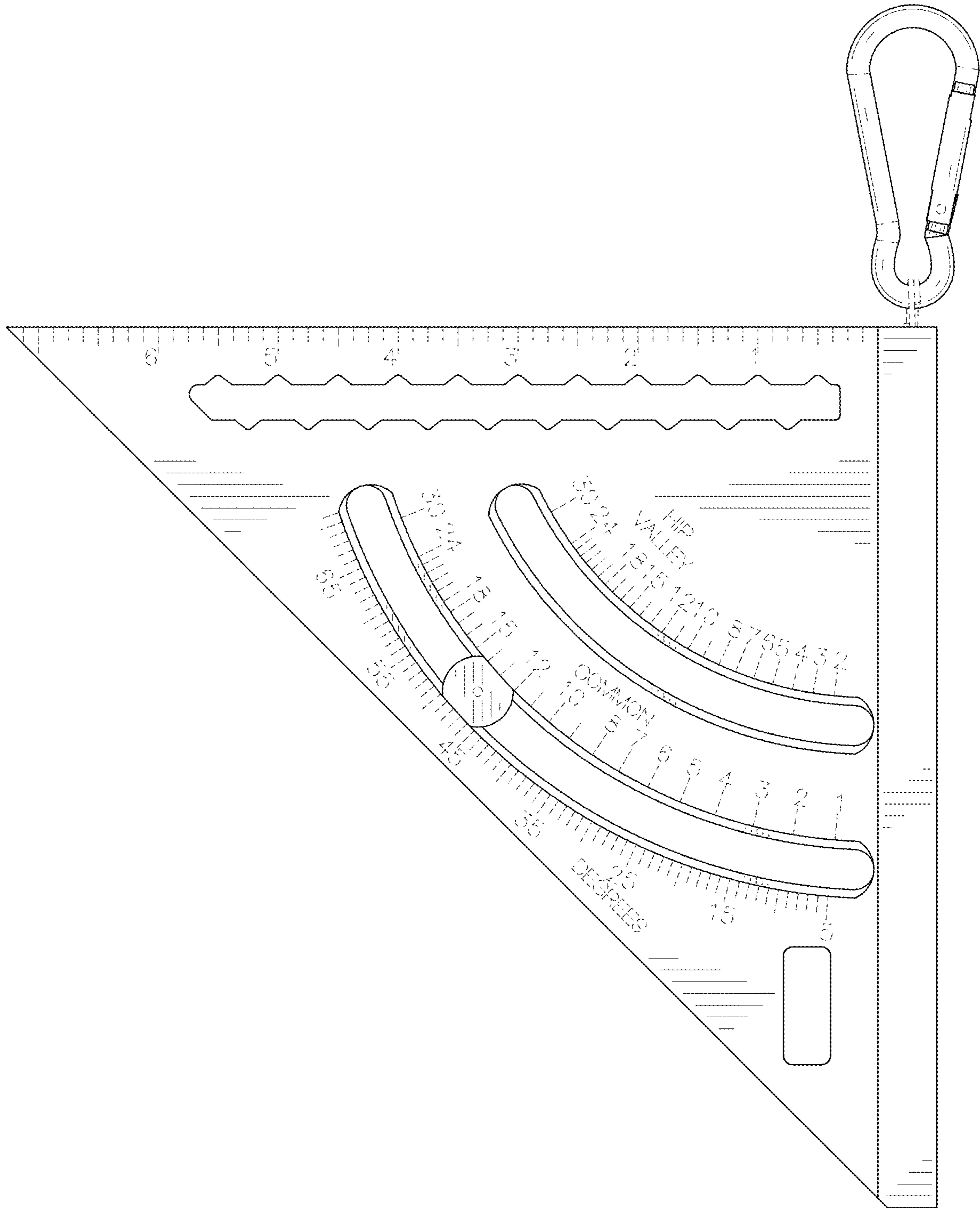


FIG. 3

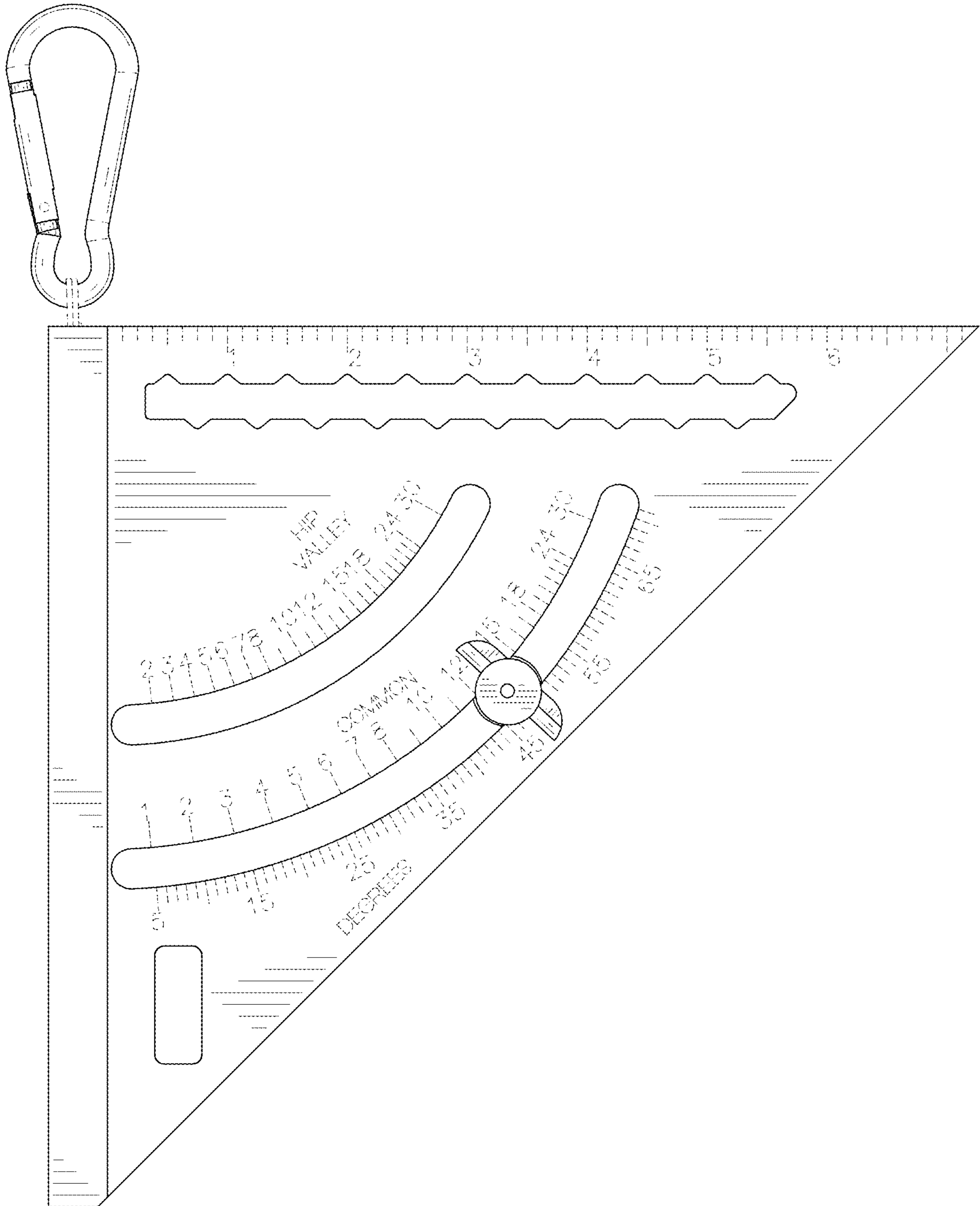


FIG. 4

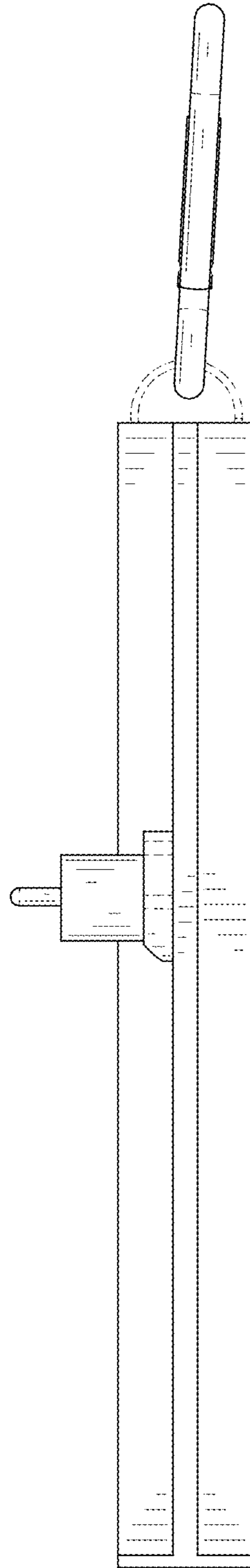


FIG. 5

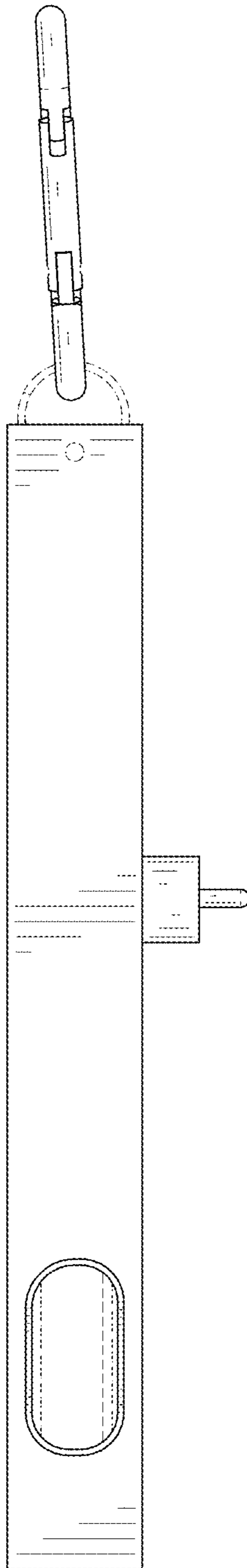


FIG. 6

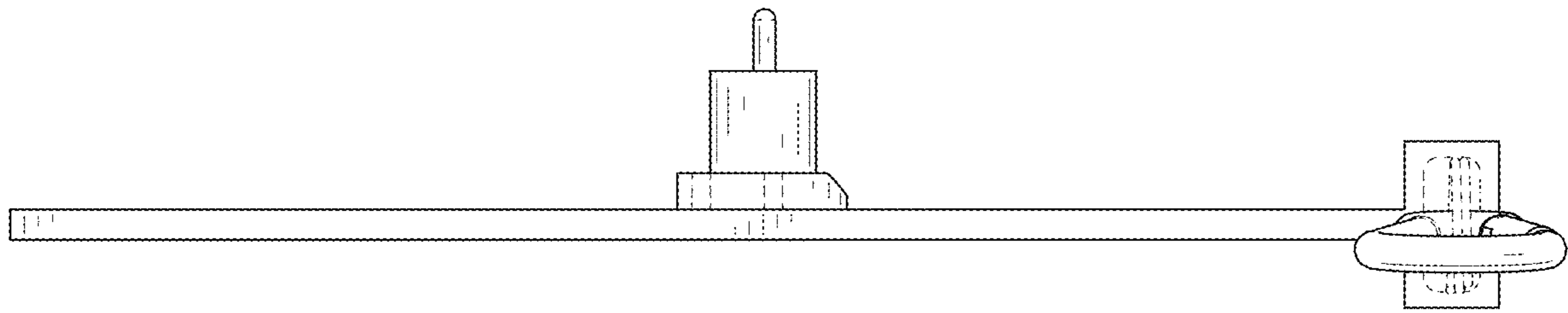


FIG. 7

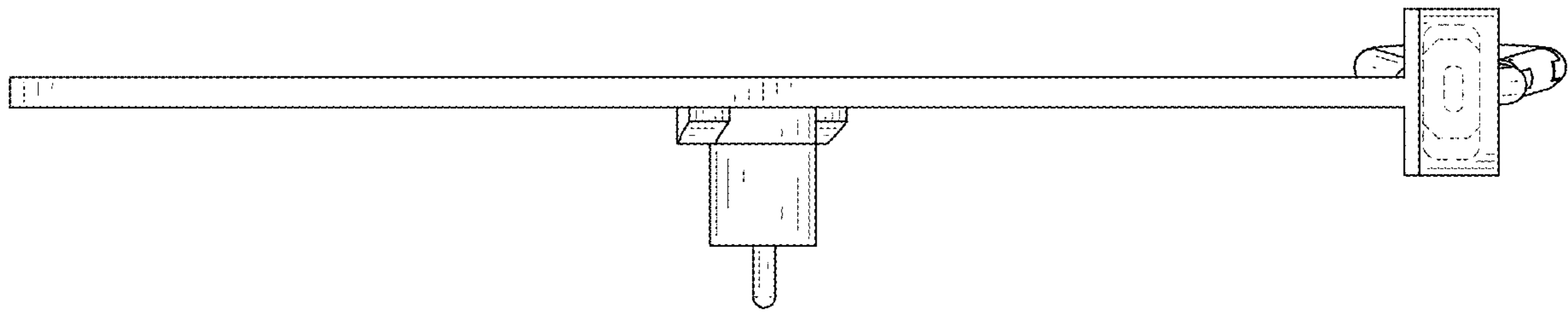


FIG. 8

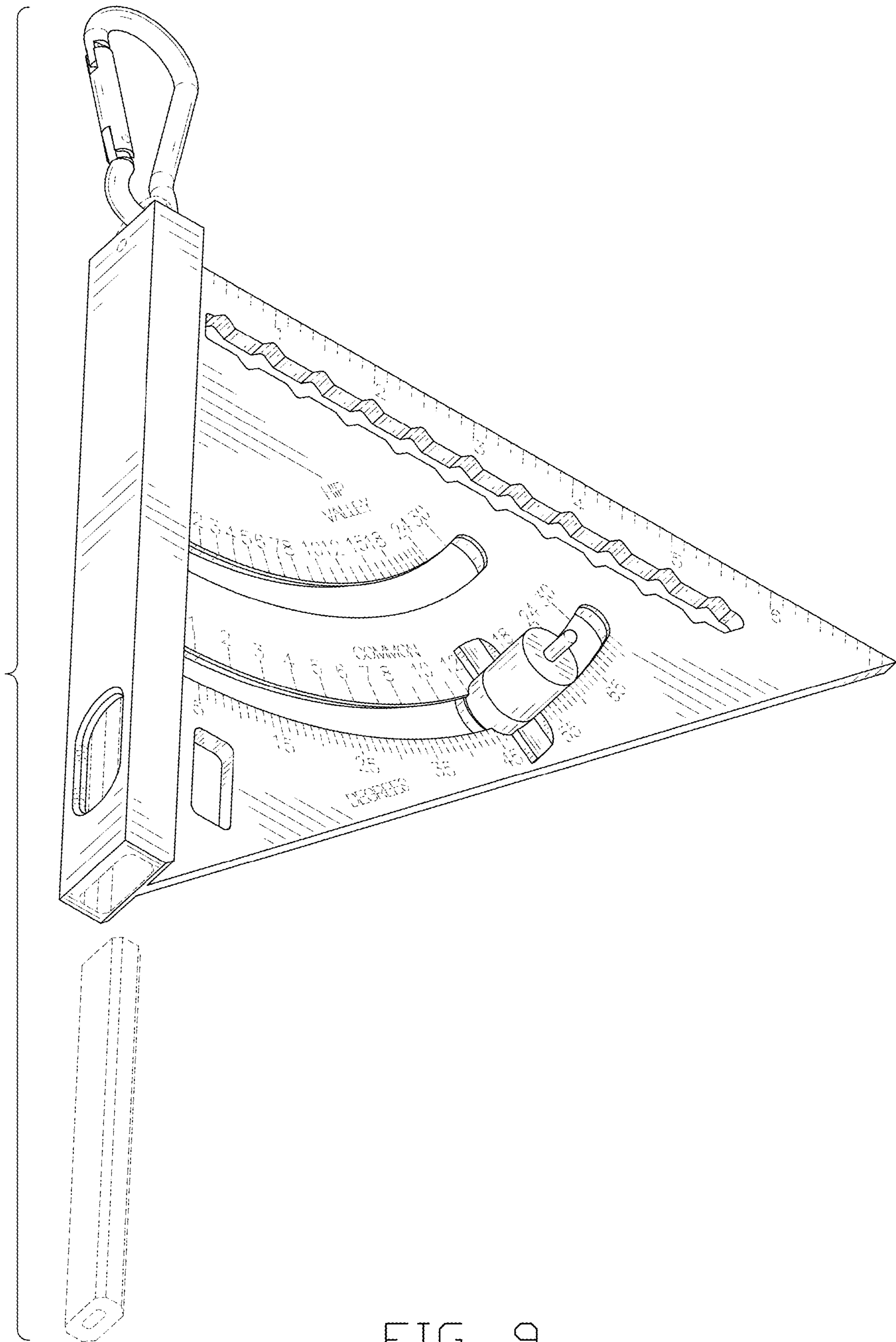


FIG. 9