

US00D976716S

(12) **United States Design Patent**
Chen

(10) **Patent No.:** **US D976,716 S**
(45) **Date of Patent:** **** Jan. 31, 2023**

(54) **THERMOMETER USED FOR FOOD BARBECUE**

(71) Applicant: **Manfeng Chen**, Hunan (CN)

(72) Inventor: **Manfeng Chen**, Hunan (CN)

(73) Assignee: **FINEMOLD TECHNOLOGIES CO., LTD**, Guangdong (CN)

(**) Term: **15 Years**

(21) Appl. No.: **29/778,821**

(22) Filed: **Apr. 15, 2021**

(30) **Foreign Application Priority Data**

Dec. 23, 2020 (CN) 202030796271.9

(51) **LOC (14) Cl.** **10-04**

(52) **U.S. Cl.**
USPC **D10/57**

(58) **Field of Classification Search**
USPC D10/57
CPC G01K 1/024; G01K 1/08; G01K 1/14;
G01K 2207/06; G01K 15/005; G01K
1/028; G01K 2207/02; G01K 2207/04;
G01K 2207/08; B67B 7/16; B67B 7/44
See application file for complete search history.

(56) **References Cited**

U.S. PATENT DOCUMENTS

D849,571 S * 5/2019 Yu D10/57
D853,253 S * 7/2019 Zuo D10/57

D863,991 S * 10/2019 Ho D10/57
D884,498 S * 5/2020 Yi D10/57
D941,685 S * 1/2022 Carpenter D9/430
D945,891 S * 3/2022 Huang D10/57
D949,029 S * 4/2022 Xie D10/57
D951,111 S * 5/2022 Yu D10/57
D952,479 S * 5/2022 Tang G01K 7/02
D10/57

2019/0049313 A1* 2/2019 Keller G01K 7/02

* cited by examiner

Primary Examiner — Antoine Duval Davis

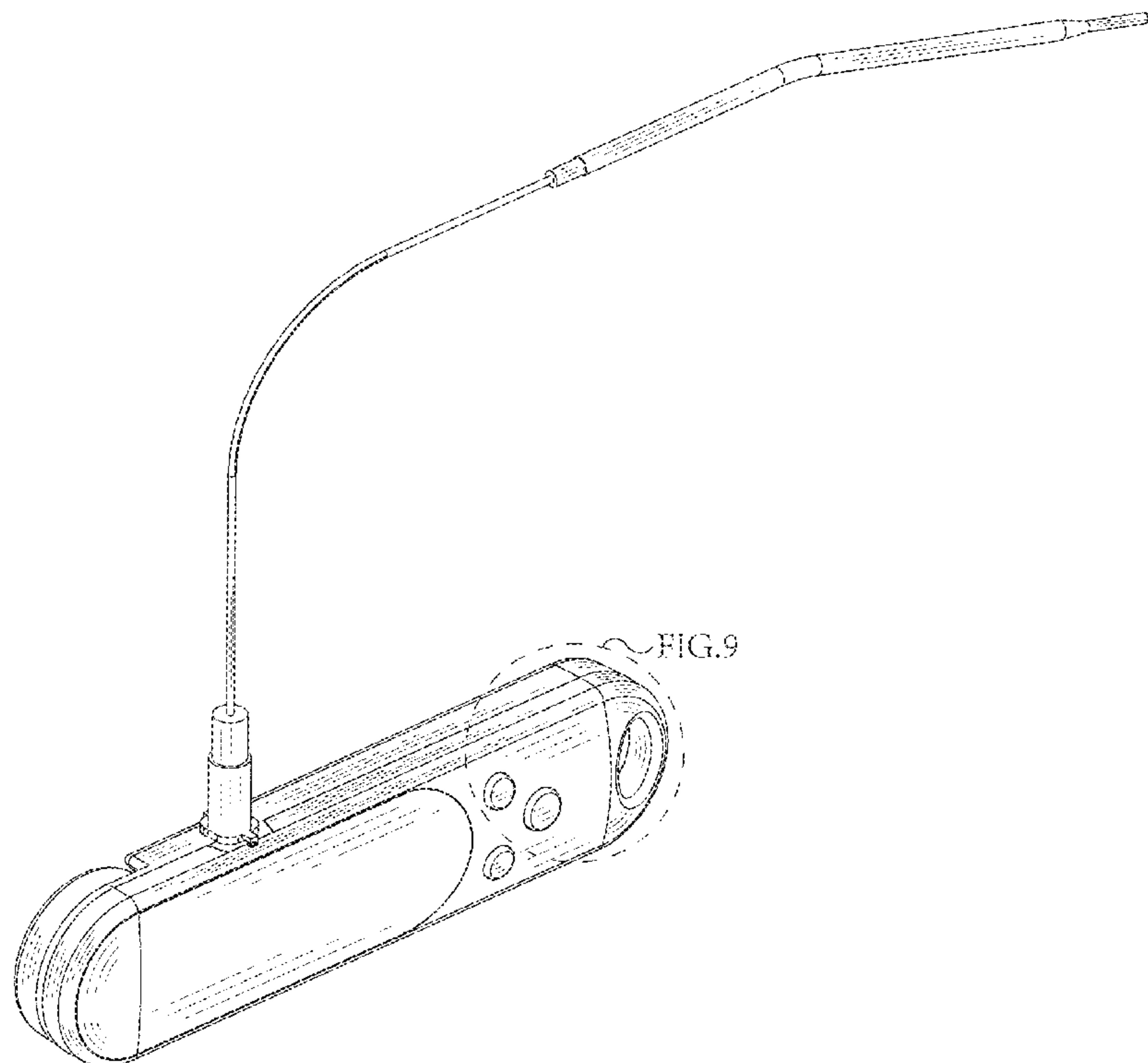
(57) **CLAIM**

The ornamental design for a thermometer used for food barbecue, as shown and described.

DESCRIPTION

FIG. 1 is a perspective view of a thermometer used for food barbecue showing my new design;
FIG. 2 is a front elevation view thereof;
FIG. 3 is a rear elevation view thereof;
FIG. 4 is a left side elevation view thereof;
FIG. 5 is a right side elevation view thereof;
FIG. 6 is a top plan view thereof;
FIG. 7 is a bottom plan view thereof;
FIG. 8 is a rear, left, bottom side perspective view thereof;
FIG. 9 is in FIG. 1; and,
FIG. 10 is in FIG. 8.

1 Claim, 10 Drawing Sheets



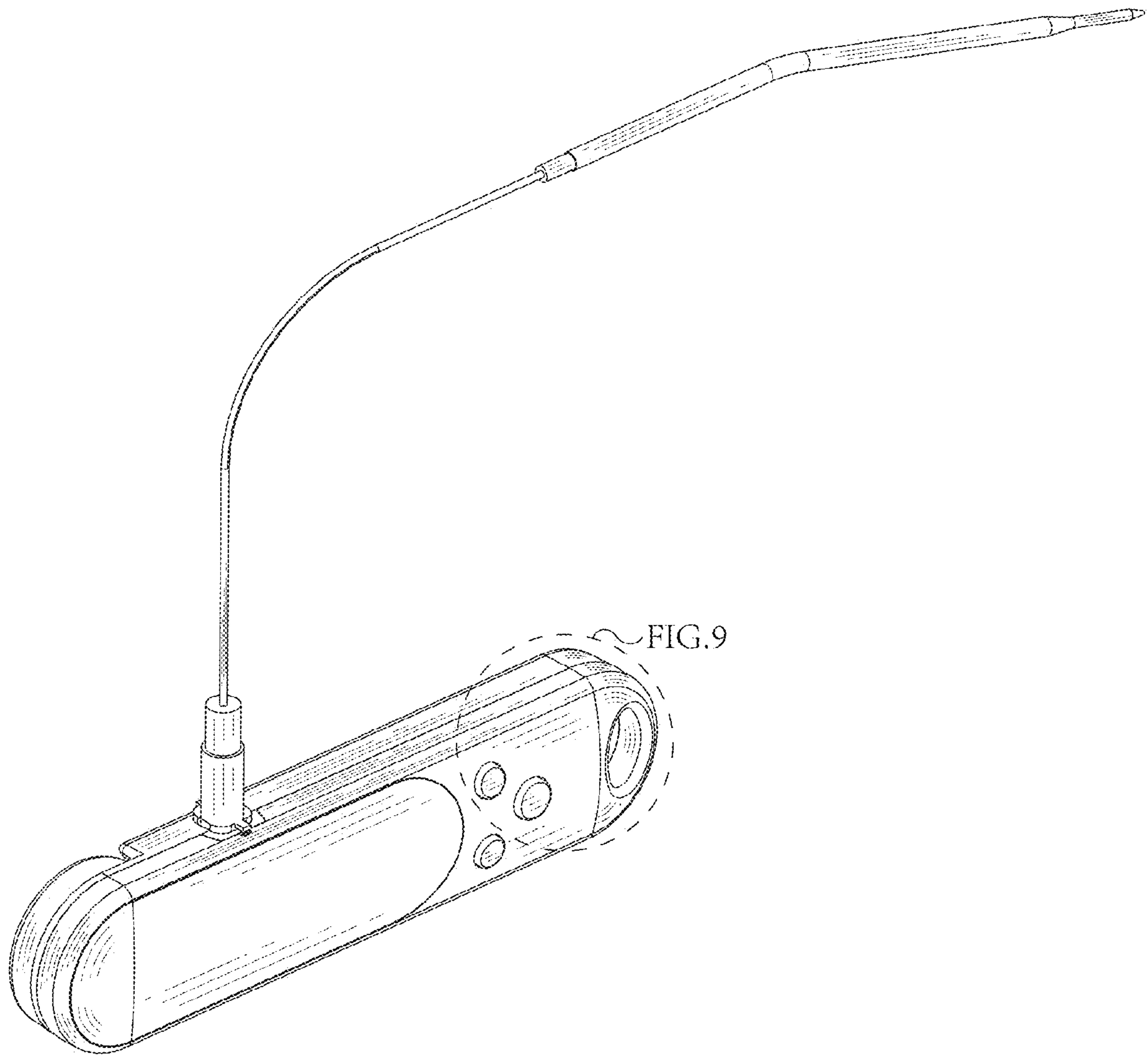


FIG. 1

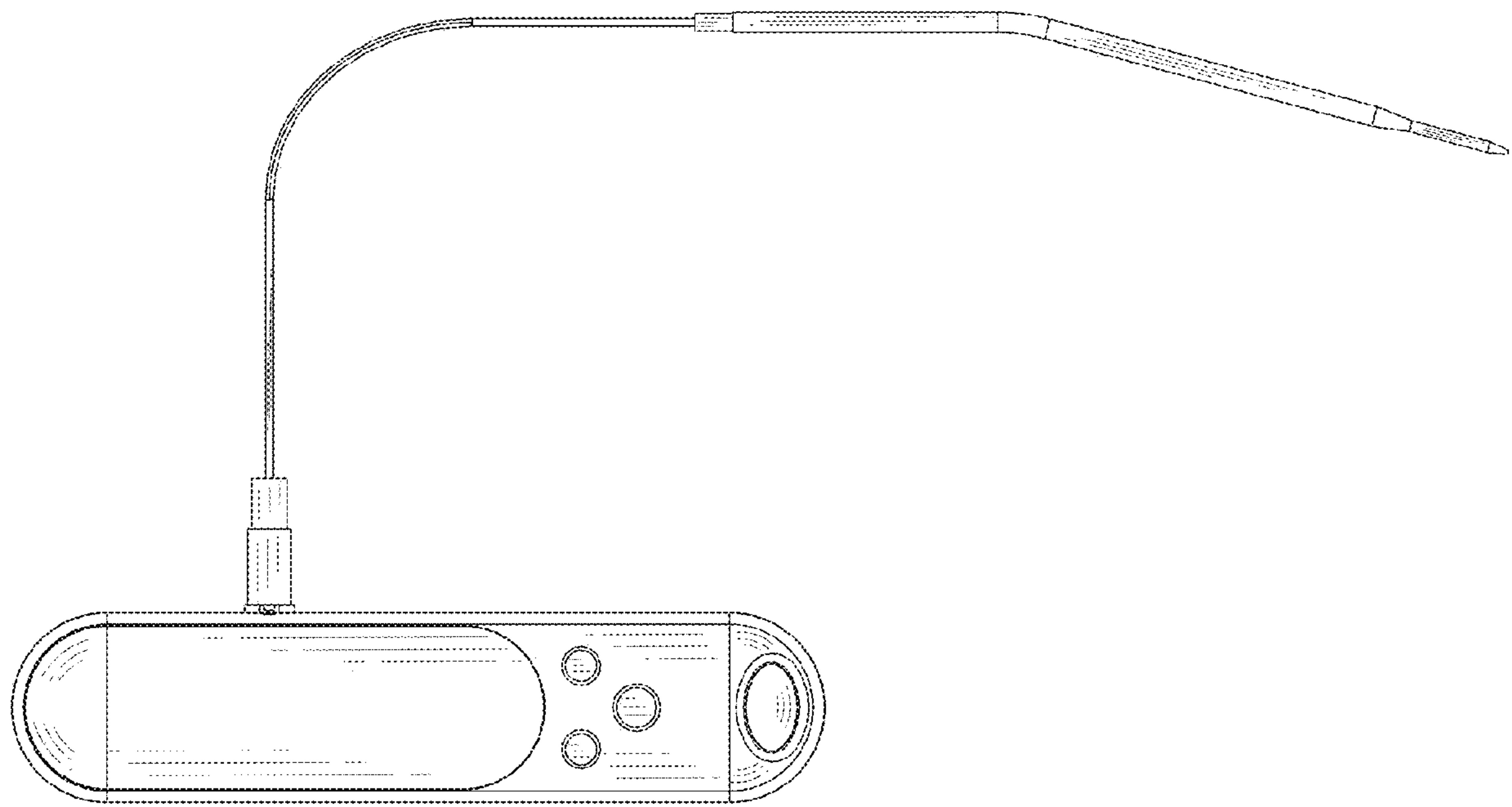


FIG. 2

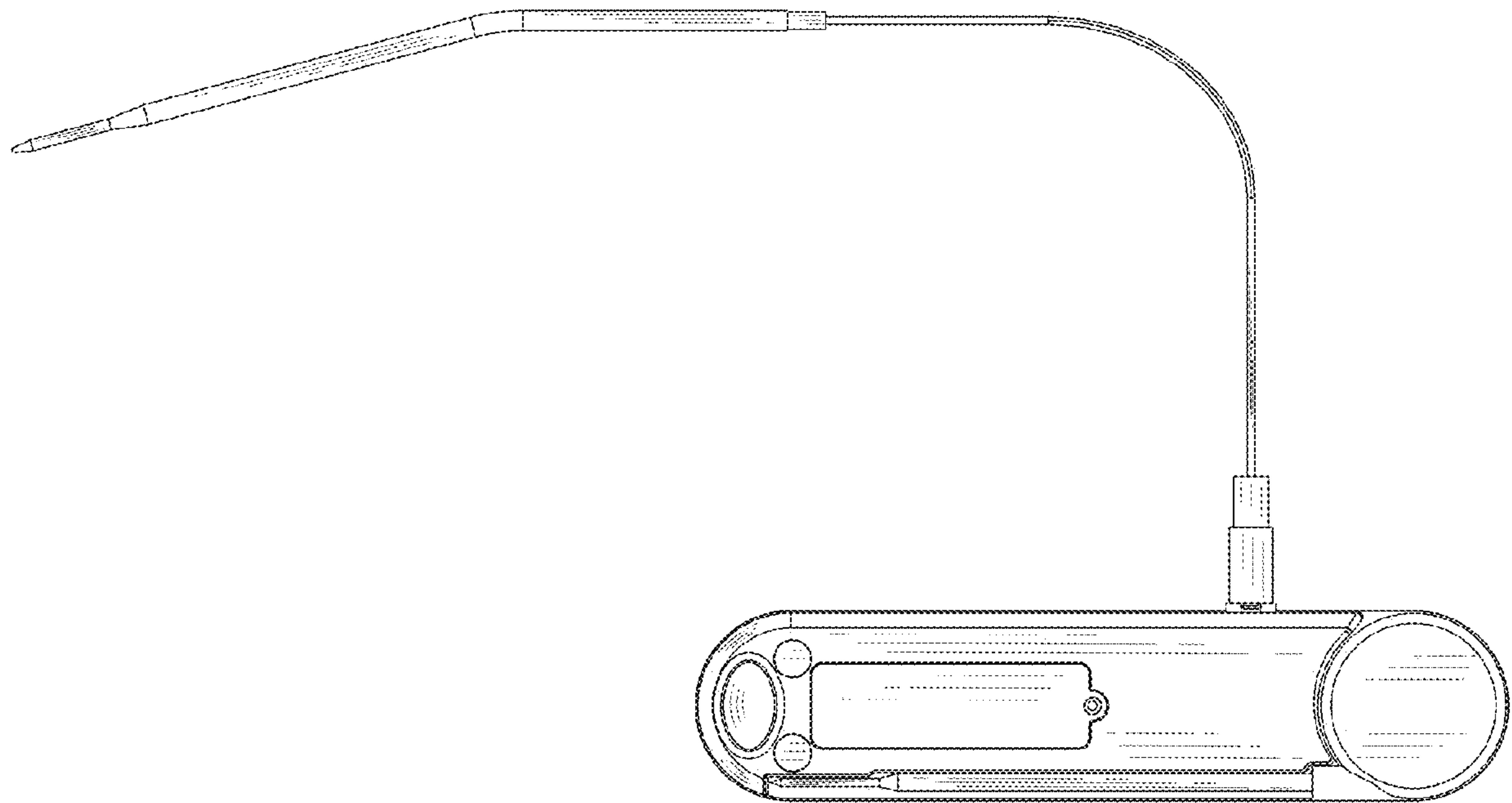


FIG. 3

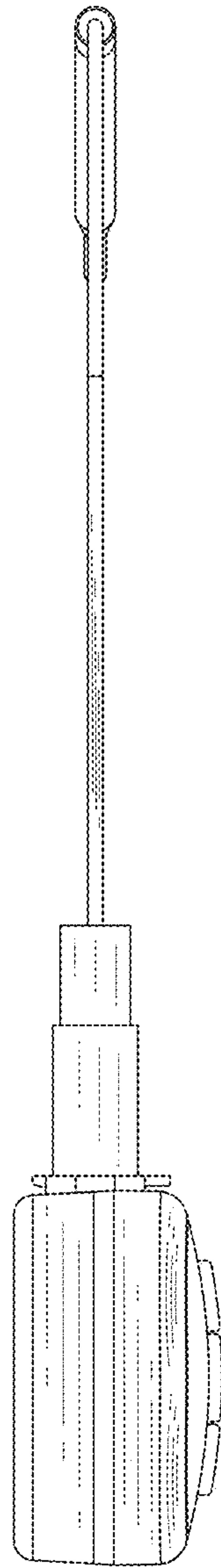


FIG. 4

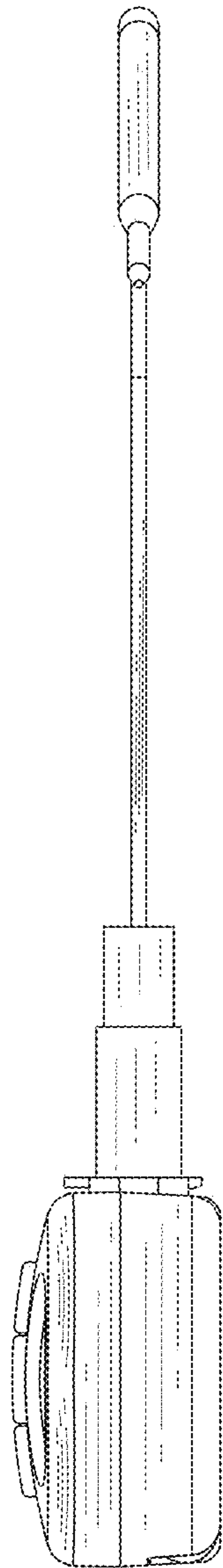


FIG. 5

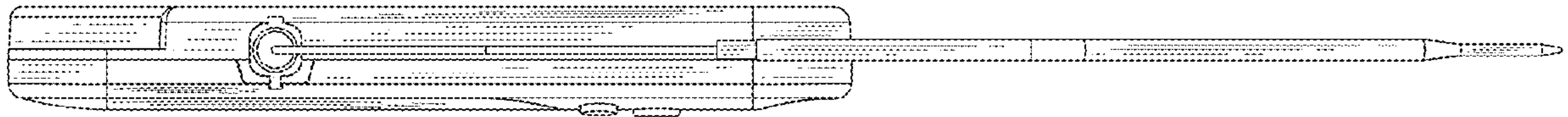


FIG. 6

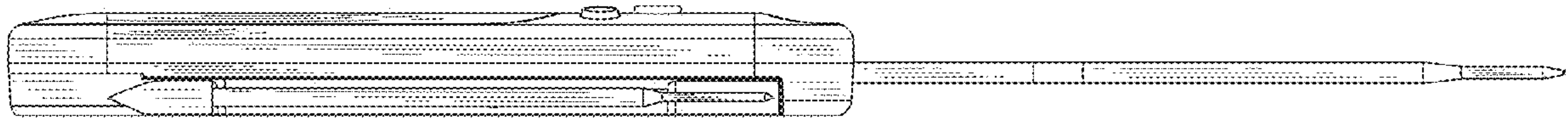


FIG. 7

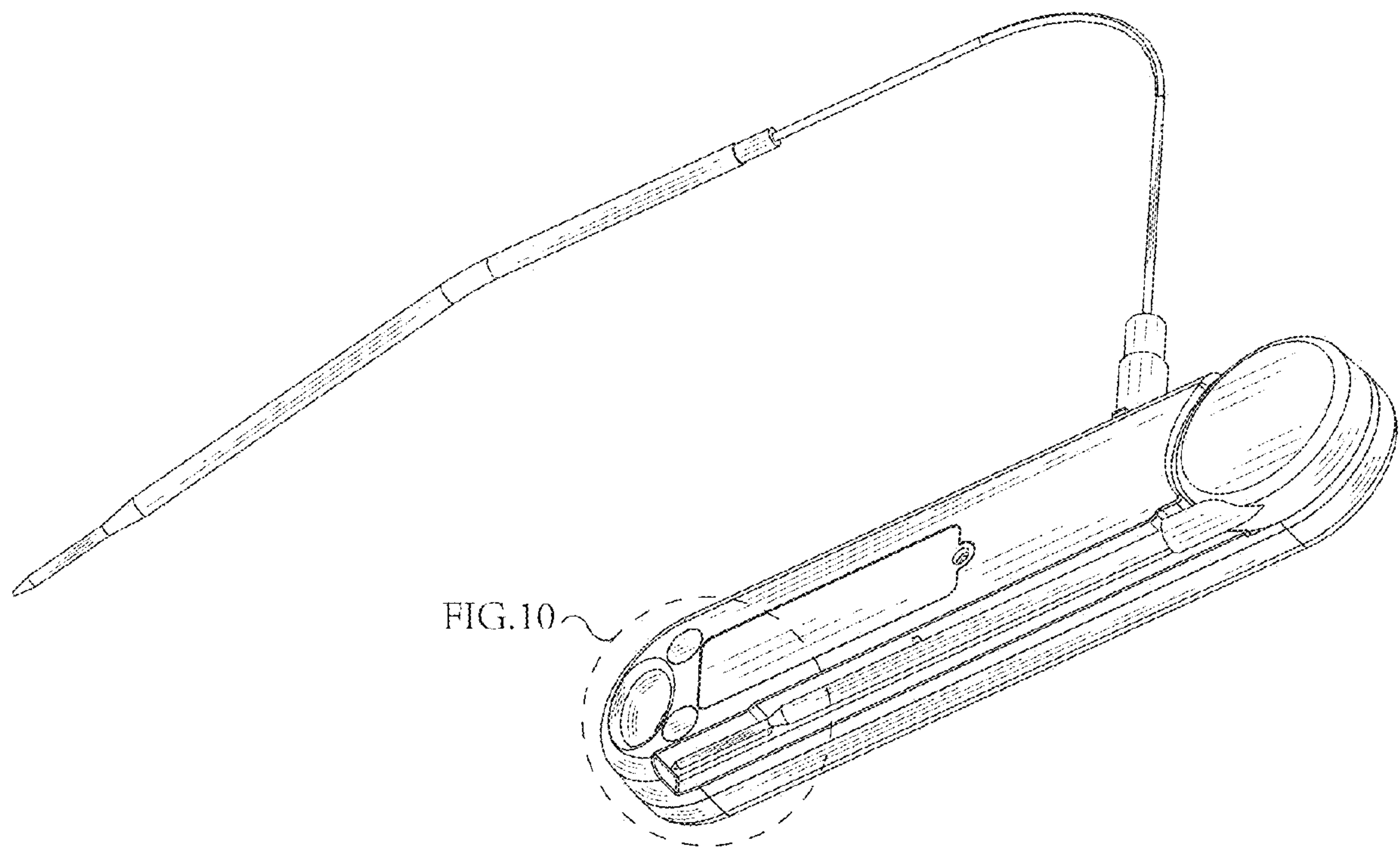


FIG. 8

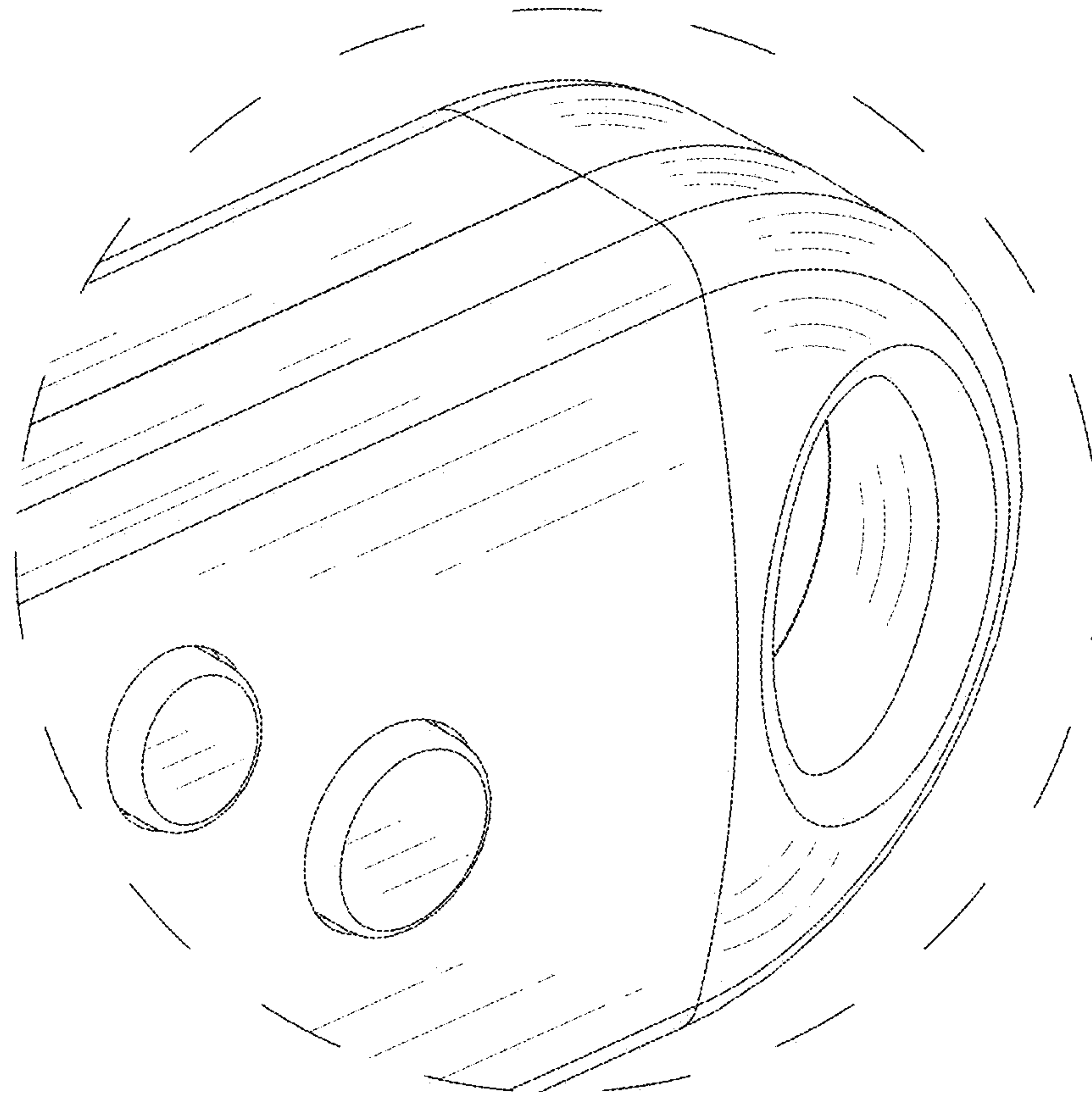


FIG. 9

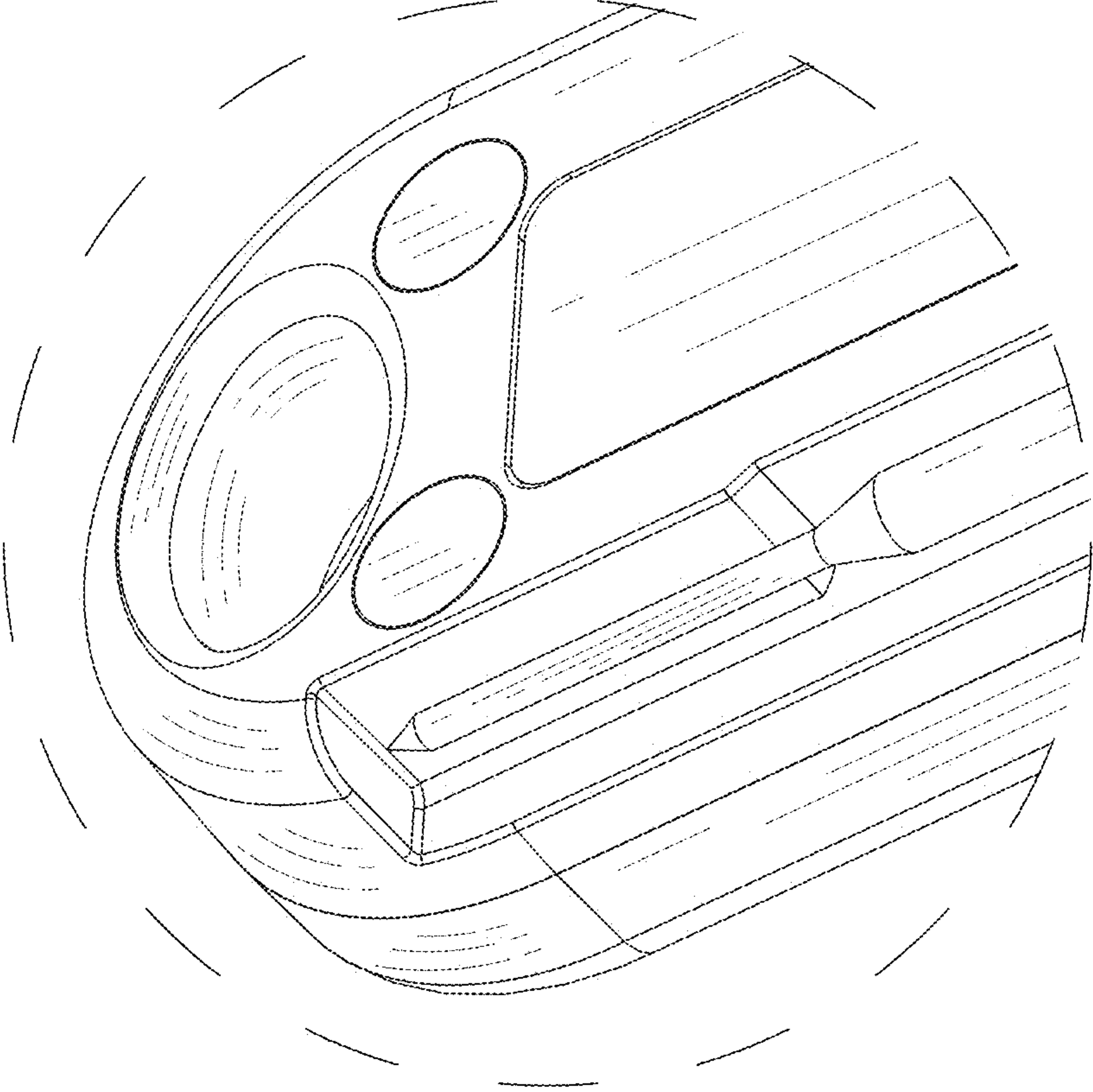


FIG. 10