



US00D976715S

(12) **United States Design Patent**  
**Tayara**

(10) **Patent No.:** **US D976,715 S**  
(45) **Date of Patent:** **\*\* Jan. 31, 2023**

- (54) **EGG CARTON**
- (71) Applicant: **Global Plastics, Inc.**, Perris, CA (US)
- (72) Inventor: **Tarek Tayara**, Perris, CA (US)
- (73) Assignee: **GLOBAL PLASTICS, INC.**, Perris, CA (US)
- (\*\*) Term: **15 Years**
- (21) Appl. No.: **29/679,838**
- (22) Filed: **Feb. 11, 2019**

D197,031 S	12/1963	Reifers	
D197,093 S	12/1963	Reifers	
D197,992 S	4/1964	Montclair	
3,131,846 A	5/1964	Whiteford	
3,144,972 A	8/1964	Hartmann et al.	
3,257,062 A	6/1966	Whiteford	
3,356,277 A *	12/1967	Hohnjec .....	B65D 85/324 206/521.8
3,362,605 A	1/1968	Bixler	
3,421,682 A	1/1969	Eisenbach	
3,458,108 A	7/1969	Howarth et al.	
3,471,078 A	10/1969	Seest et al.	
D221,134 S	7/1971	Bessett	
3,603,499 A	9/1971	Snow	
3,645,436 A	2/1972	Boyd et al.	
3,655,110 A *	4/1972	Eisenbach .....	B65D 85/324 229/406
3,661,317 A	5/1972	Noguchi	
3,664,574 A	5/1972	Pearl et al.	
3,672,693 A	6/1972	Weir	
3,771,712 A	11/1973	Richards	
3,779,370 A	12/1973	Snow et al.	
3,813,027 A	5/1974	Misdorn, Jr. et al.	
3,908,891 A	9/1975	Jackson	
4,025,038 A	5/1977	Reifers et al.	
4,057,188 A	11/1977	Steinhardt	
4,059,219 A	11/1977	Reifers et al.	
4,161,382 A	7/1979	Padovani	
4,205,777 A	6/1980	Brown et al.	
D266,225 S	9/1982	Villotte	
4,352,427 A	10/1982	Lake	
D273,844 S	5/1984	Bixler et al.	
4,448,344 A	5/1984	Lord et al.	
D274,790 S	7/1984	Bixler et al.	
4,492,331 A	1/1985	Bixler et al.	
D284,226 S	6/1986	Sussman	
4,609,141 A	9/1986	Lake	
4,625,905 A	12/1986	Mangla	
4,657,173 A	4/1987	Lake	
D291,533 S	8/1987	Mangla	
4,742,953 A	5/1988	Jacobs et al.	
4,795,080 A	1/1989	McIntyre	
D305,405 S	1/1990	Wilkinson	
D306,138 S	2/1990	Congleton et al.	
5,102,034 A	4/1992	Amabili	
D359,901 S	7/1995	Knoss et al.	
5,927,501 A	7/1999	Herbruck	
6,012,583 A	1/2000	Ramirez	
D428,332 S	7/2000	Knutson	
D466,802 S	12/2002	Davkovski	
D514,452 S	2/2006	Enriquez	
D520,377 S	5/2006	Beese et al.	
7,255,231 B2	8/2007	Andrews et al.	

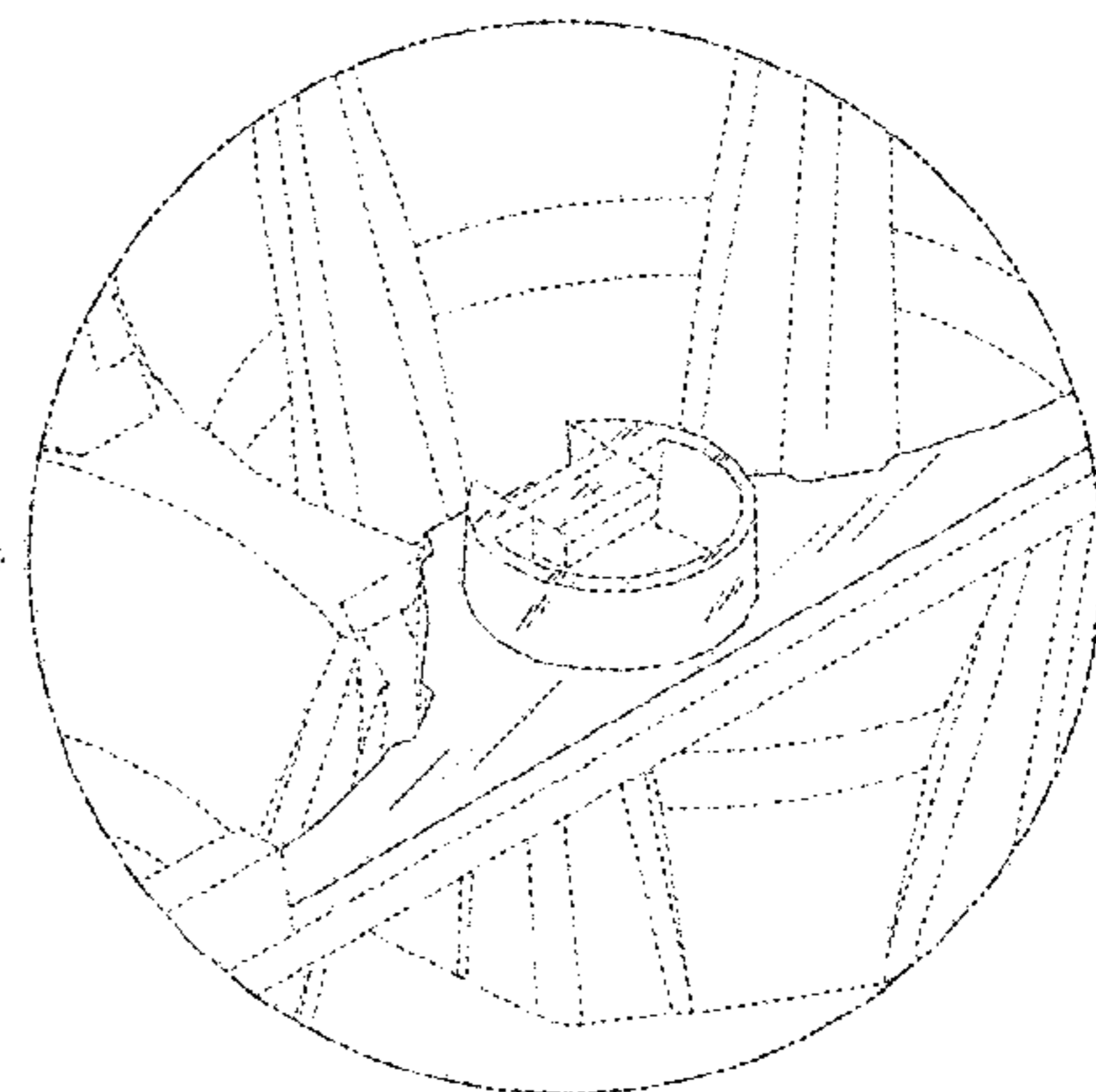
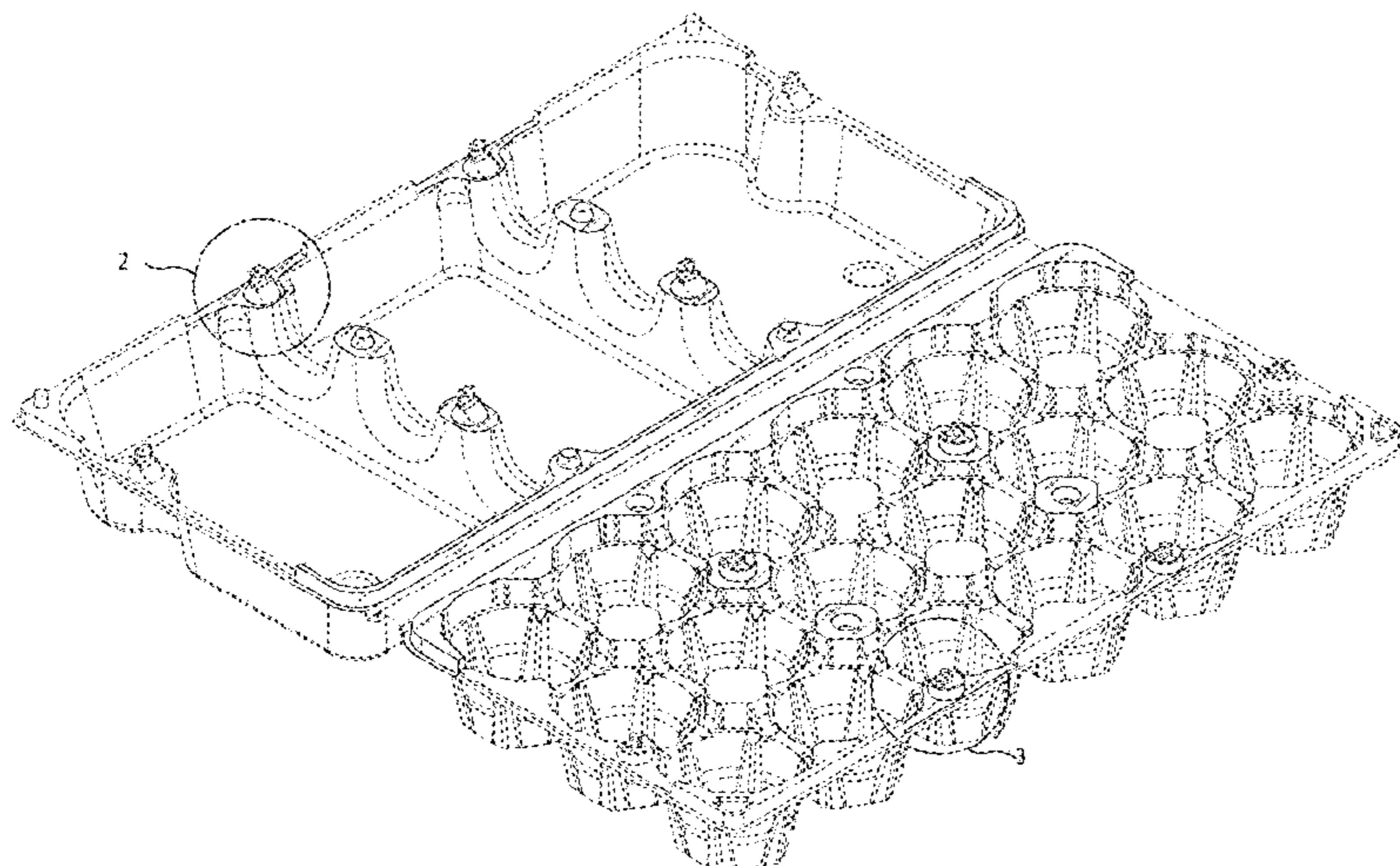
**Related U.S. Application Data**

- (60) Continuation-in-part of application No. 29/665,543, filed on Oct. 4, 2018, now Pat. No. Des. 891,272, which is a continuation-in-part of application No. 29/664,484, filed on Sep. 25, 2018, now Pat. No. Des. 871,926, which is a continuation-in-part of application No. 29/659,470, filed on Aug. 9, 2018, now Pat. No. Des. 851,502, which is a continuation-in-part of application No. 29/628,548, filed on Dec. 5, 2017, now Pat. No. Des. 853,859, which is a division of application No. 29/586,659, filed on Dec. 6, 2016, now Pat. No. Des. 804,324.
- (51) **LOC (14) Cl.** ..... **09-03**
- (52) **U.S. Cl.**  
USPC ..... **D9/757; D9/762**
- (58) **Field of Classification Search**  
USPC ..... **D9/737, 756-762, 420, 421, 423-426**  
CPC ..... **B65D 85/1072; B65D 85/1063; B65D 85/324; B65D 85/32; B65D 85/322**  
See application file for complete search history.

(56) **References Cited**

**U.S. PATENT DOCUMENTS**

2,285,129 A	6/1942	Schwartzberg
2,455,295 A	11/1948	Cox
2,560,847 A	7/1951	Chaplin
2,591,446 A	4/1952	Lennon
3,000,528 A	9/1961	Kuhl et al.



7,353,951	B2	4/2008	Vovan	
D592,076	S	5/2009	Sipe et al.	
D592,077	S	5/2009	Sipe et al.	
7,686,181	B2	3/2010	St-Onge	
D616,267	S	5/2010	Kulzer	
D616,270	S	5/2010	Kulzer	
D616,714	S	6/2010	Kulzer	
D619,860	S	7/2010	Kulzer	
7,766,169	B2	8/2010	St-Onge	
D626,014	S	10/2010	Fosse et al.	
D632,974	S	2/2011	Dijkstra et al.	
D632,975	S	2/2011	Dijkstra	
D632,976	S	2/2011	Dijkstra et al.	
D632,977	S	2/2011	Dijkstra et al.	
D646,963	S *	10/2011	Kalil .....	D9/415
D656,843	S	4/2012	Schleining	
D661,601	S	6/2012	Sanfilippo	
D689,376	S	9/2013	Von der Ahe	
D692,296	S	10/2013	Cooper	
8,695,803	B2	4/2014	Blanchette et al.	
8,844,721	B2	9/2014	Archambault et al.	
8,863,955	B2	10/2014	St-Onge	
D735,585	S	8/2015	Tayara	
D739,265	S	9/2015	Buckley et al.	
D739,767	S	9/2015	Schleining	
9,169,058	B1	10/2015	Ramirez et al.	
D750,485	S	3/2016	Lavoie	
D752,430	S *	3/2016	Stevenson .....	D9/425
9,340,343	B2	5/2016	Ramirez et al.	
9,340,349	B2	5/2016	Ramirez et al.	
9,340,350	B2	5/2016	Kuruvilla et al.	
D758,916	S	6/2016	Davis	
D761,127	S	7/2016	Sellari et al.	
9,382,056	B1	7/2016	Hanna	
D766,663	S	9/2016	Bergeron et al.	
D778,176	S	2/2017	Long	
9,617,060	B1	4/2017	Hanna	
D791,616	S	7/2017	Muhlemann	
D792,277	S	7/2017	Davis	
D795,084	S	8/2017	Schleining	
D798,740	S *	10/2017	Lee .....	D9/758
D802,444	S	11/2017	Schleining	
D804,324	S	12/2017	Tayara	
D804,965	S	12/2017	Schleining	
D834,952	S	12/2018	Kuruvilla et al.	
D851,502	S	6/2019	Tayara	
D851,602	S	6/2019	Tayara	
D853,859	S	7/2019	Tayara	
D871,926	S	1/2020	Tayara	
D891,272	S *	7/2020	Tayara .....	D9/757
D893,316	S *	8/2020	Tayara .....	D9/757
D940,572	S *	1/2022	Mraz .....	D9/757
2005/0178689	A1	8/2005	Aardema et al.	
2006/0060493	A1	3/2006	Marshall	
2007/0138177	A1	6/2007	Vovan	
2007/0151892	A1	7/2007	St-Onge	
2007/0256954	A1	11/2007	Vovan	
2008/0283437	A1	11/2008	St-Onge	
2010/0187150	A1	7/2010	Dijkstra et al.	
2011/0132791	A1	6/2011	Dijkstra et al.	
2011/0233100	A1	9/2011	Attard	
2013/0020224	A1	1/2013	Ramirez et al.	
2013/0048527	A1	2/2013	Ramirez et al.	
2013/0048528	A1	2/2013	Ramirez et al.	
2013/0126384	A1	5/2013	Ogg	
2013/0183412	A1	7/2013	Ramirez et al.	
2013/0264243	A1	10/2013	Aardema et al.	
2016/0046432	A1	2/2016	Kuruvilla et al.	
2016/0257485	A1	9/2016	Ramirez et al.	
2018/0273284	A1	9/2018	Bergeron et al.	
2019/0367221	A1 *	12/2019	Groenveld .....	B29C 45/14786

FOREIGN PATENT DOCUMENTS

EP	119043	9/1984
JP	4729091	7/2011
JP	2016204029	12/2016
WO	2012010992	1/2012

\* cited by examiner

*Primary Examiner* — W. A. Teddy Falloway  
(74) *Attorney, Agent, or Firm* — Cislo & Thomas, LLP

(57) **CLAIM**

The ornamental design for an egg carton, as shown and described.

**DESCRIPTION**

FIG. 1 is a perspective top view of another embodiment of my egg carton in an open configuration;  
 FIG. 2 is a close-up of the area designated as 2 in FIG. 1;  
 FIG. 3 is a close-up of the area designated as 3 in FIG. 1;  
 FIG. 4 is a perspective bottom view of the egg carton shown in FIG. 1;  
 FIG. 5 is a close-up of the area designated as 5 in FIG. 4;  
 FIG. 6 is a top view of the egg carton shown in FIG. 1;  
 FIG. 7 is a close-up of the area designated as 7 in FIG. 6;  
 FIG. 8 is a close-up of the area designated as 8 in FIG. 6;  
 FIG. 9 is a close-up of the area designated as 9 in FIG. 6;  
 FIG. 10 is a bottom view of the egg carton shown in FIG. 1;  
 FIG. 11 is a front elevation view of the egg carton shown in FIG. 1;  
 FIG. 12 is a back elevation view of the egg carton shown in FIG. 1;  
 FIG. 13 is a first side elevation view of the egg carton shown in FIG. 1;  
 FIG. 14 is a close-up of the area designated as 14 in FIG. 13;  
 FIG. 15 is a second side elevation view of the egg carton shown in FIG. 1;  
 FIG. 16 is a perspective top view of the egg carton shown in FIG. 1 in a closed configuration;  
 FIG. 17 is a close-up of the area designated as 7 in FIG. 16;  
 FIG. 18 is a perspective bottom view of the egg carton shown in FIG. 16;  
 FIG. 19 is a close-up of the area designated as 19 in FIG. 18;  
 FIG. 20 is a top view of the egg carton shown in FIG. 16;  
 FIG. 21 is a bottom view of the egg carton shown in FIG. 16;  
 FIG. 22 is a front elevation view of the egg carton shown in FIG. 16;  
 FIG. 23 is a close-up of the area designated as 23 in FIG. 22;  
 FIG. 24 is a back elevation view of the egg carton shown in FIG. 16;  
 FIG. 25 is a first side elevation view of the egg carton shown in FIG. 16; and,  
 FIG. 26 is a close-up of the area designated as 26 in FIG. 25.  
 The broken lines shown in the drawings illustrate portions of my egg carton that form no part of the claimed design. The oblique line shading shown in the drawings indicates a transparent or translucent surface. The portions that would be visible behind the transparent or translucent surface are omitted for a clear disclosure of the surface configuration.

**1 Claim, 26 Drawing Sheets**

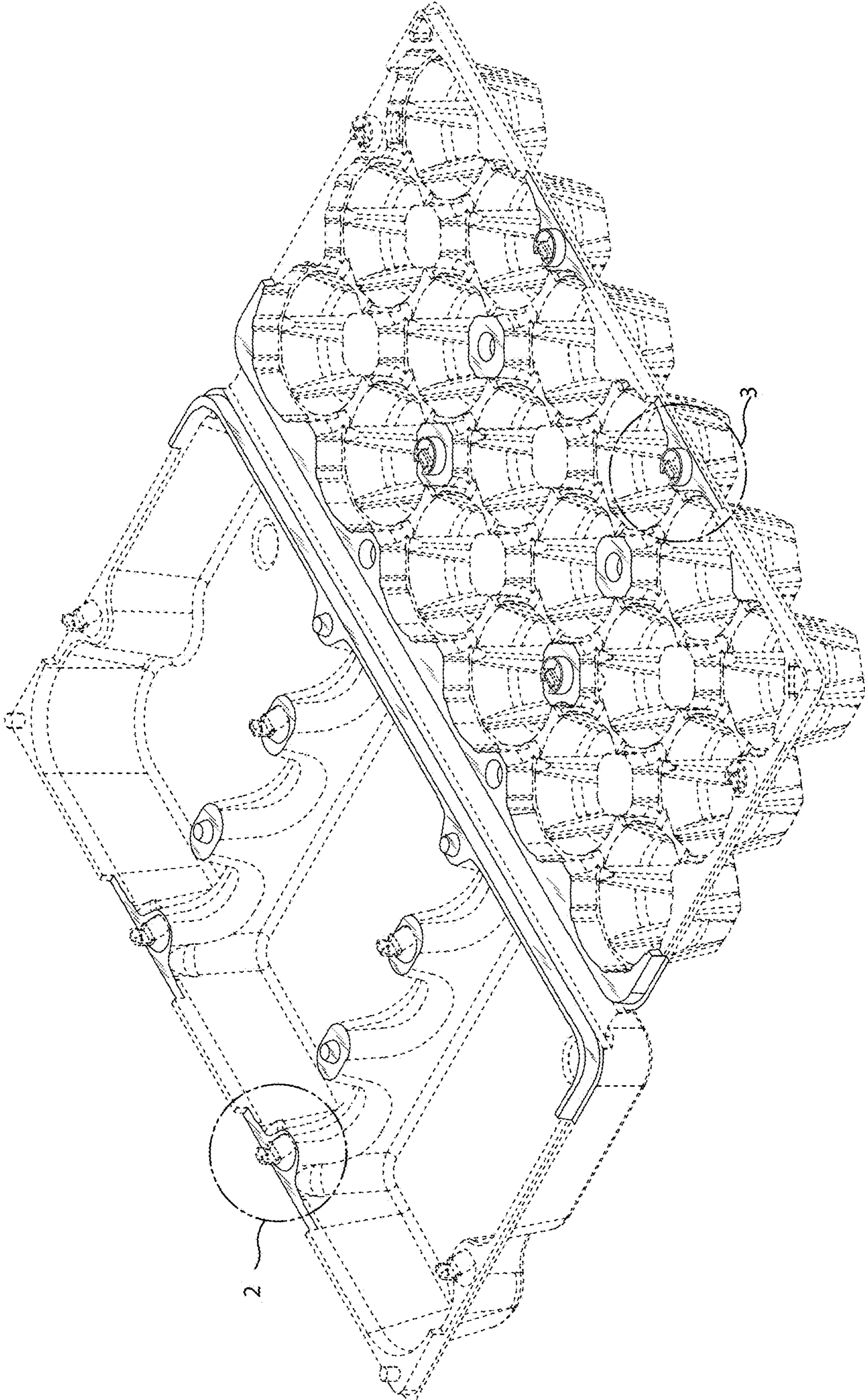


Fig. 1

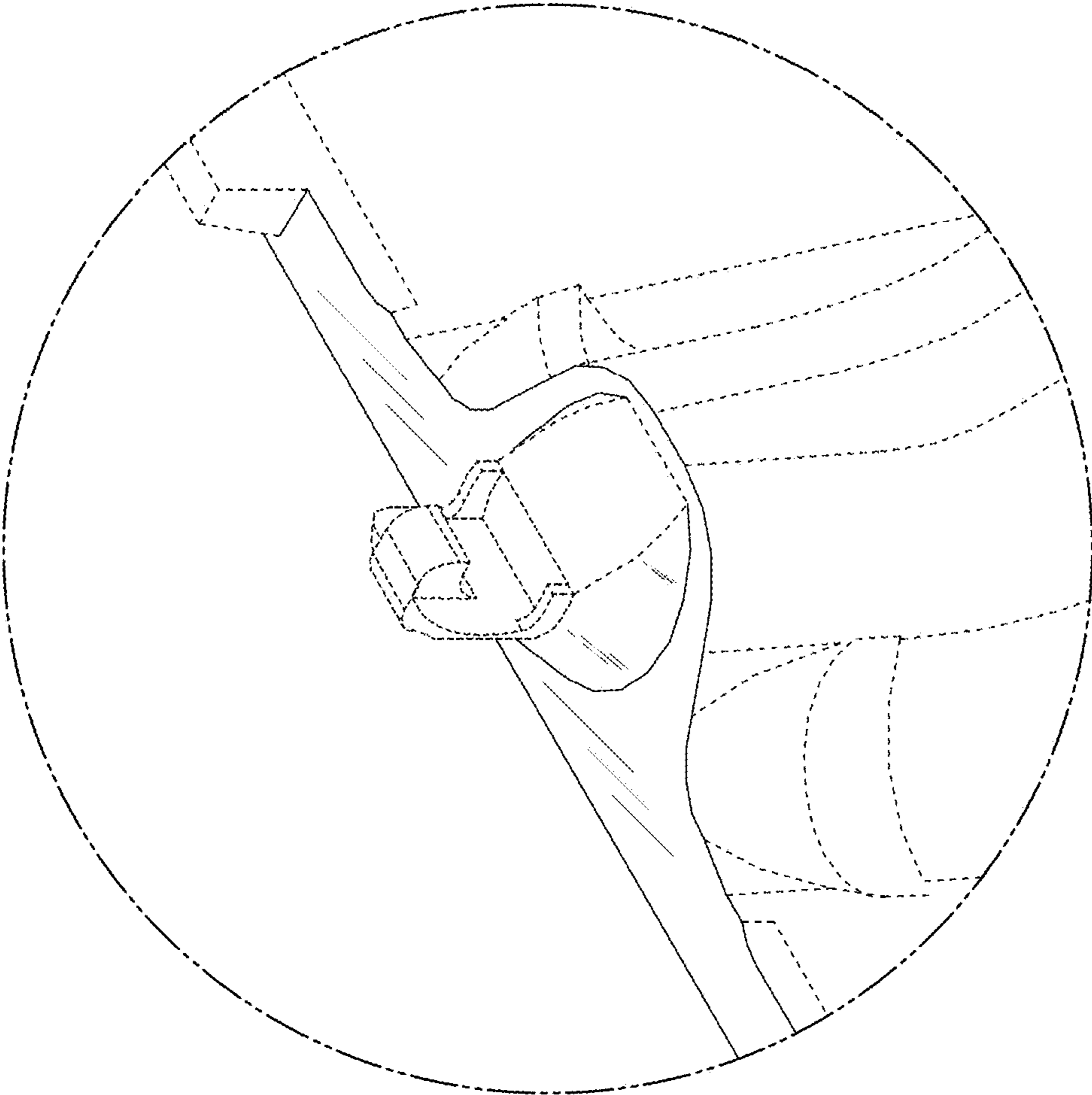


Fig. 2

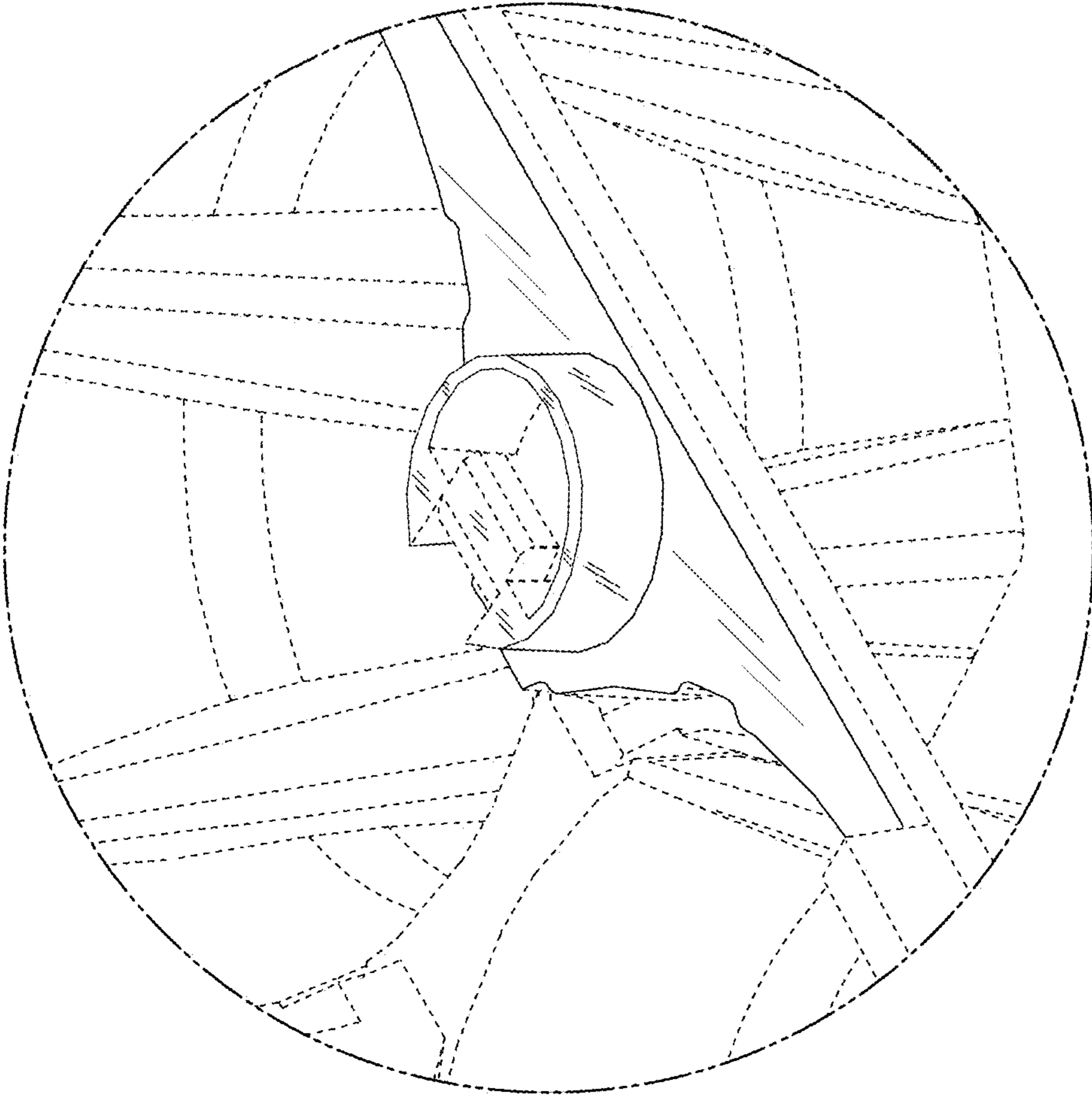


Fig. 3

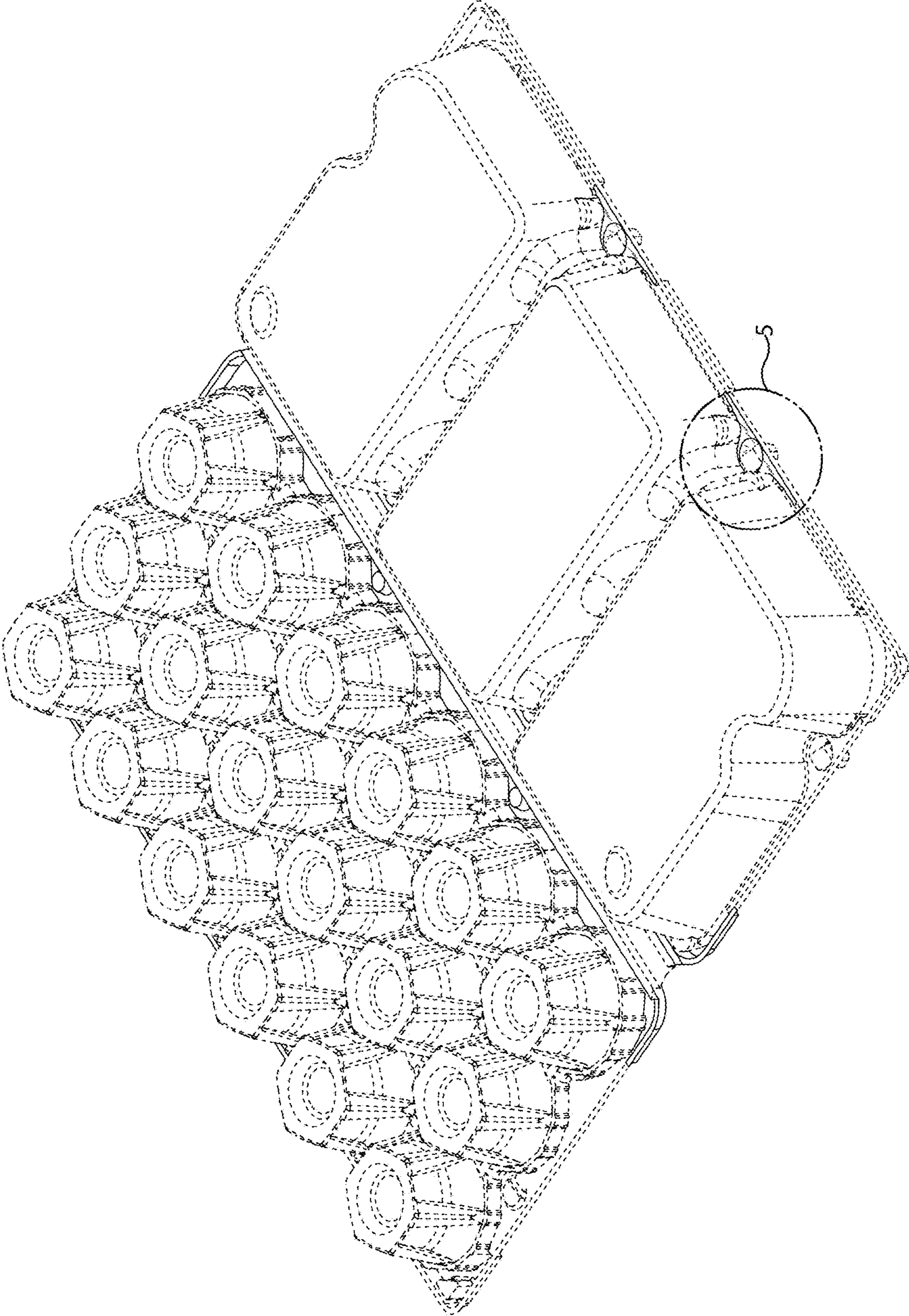


Fig. 4

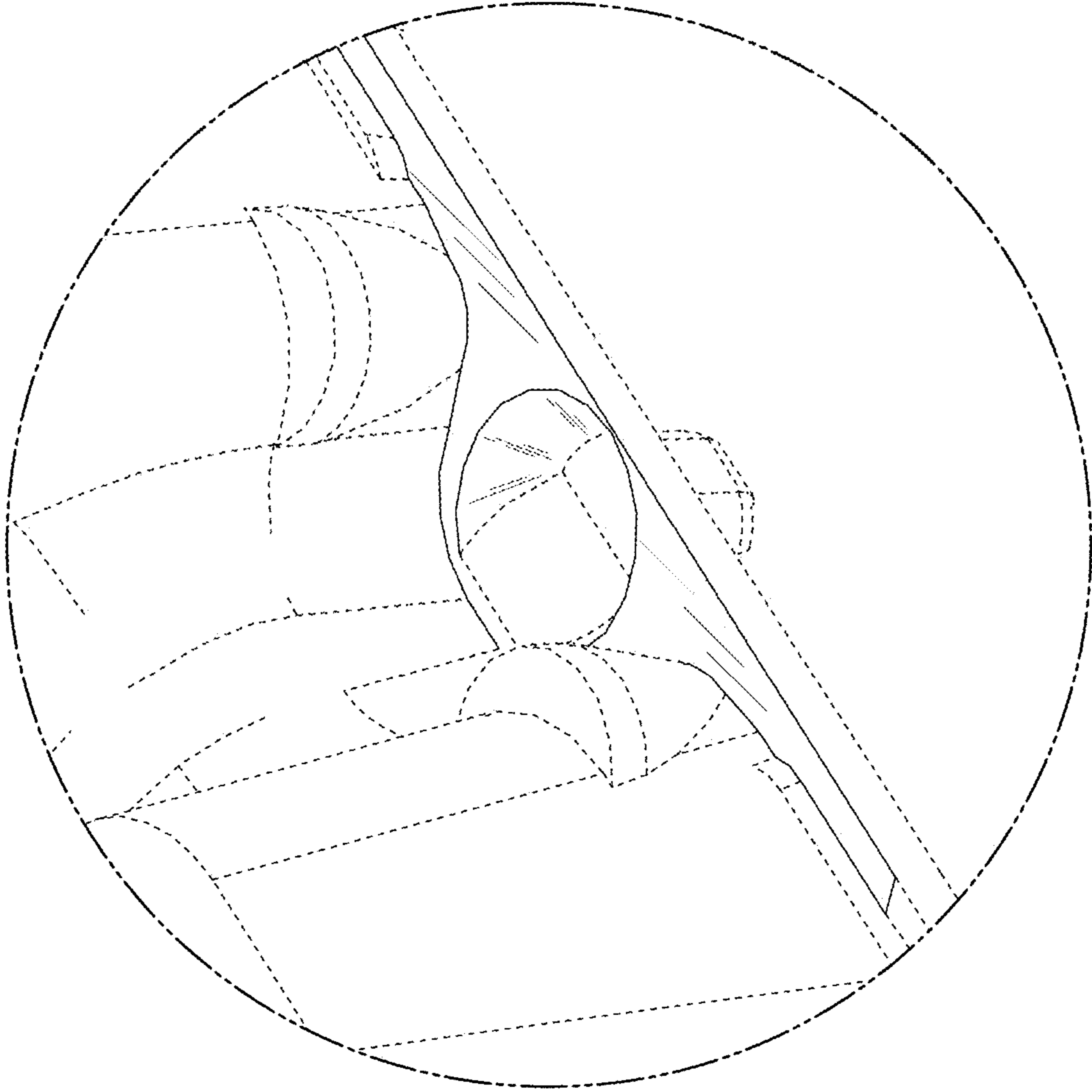


Fig. 5

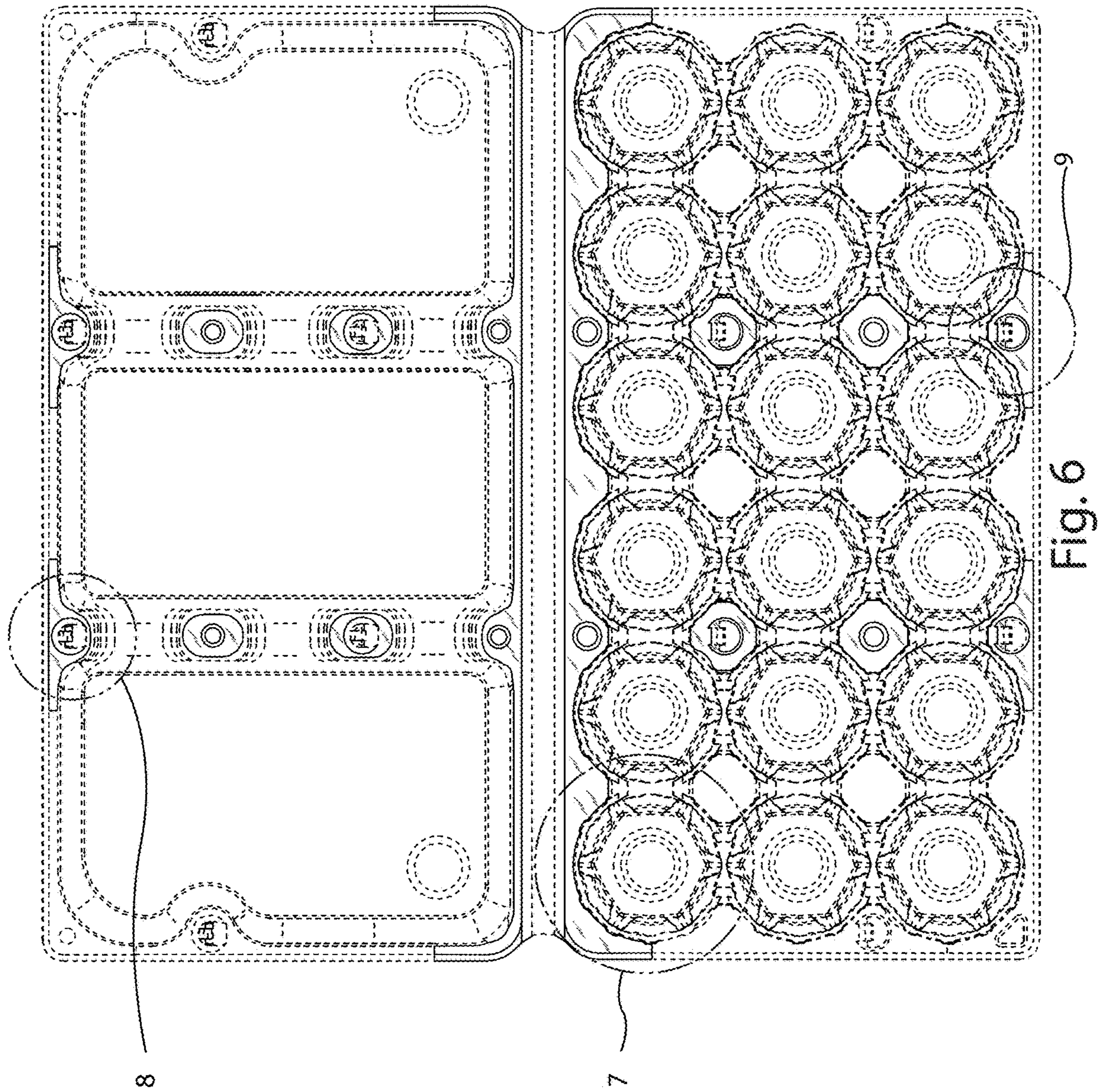


Fig. 6



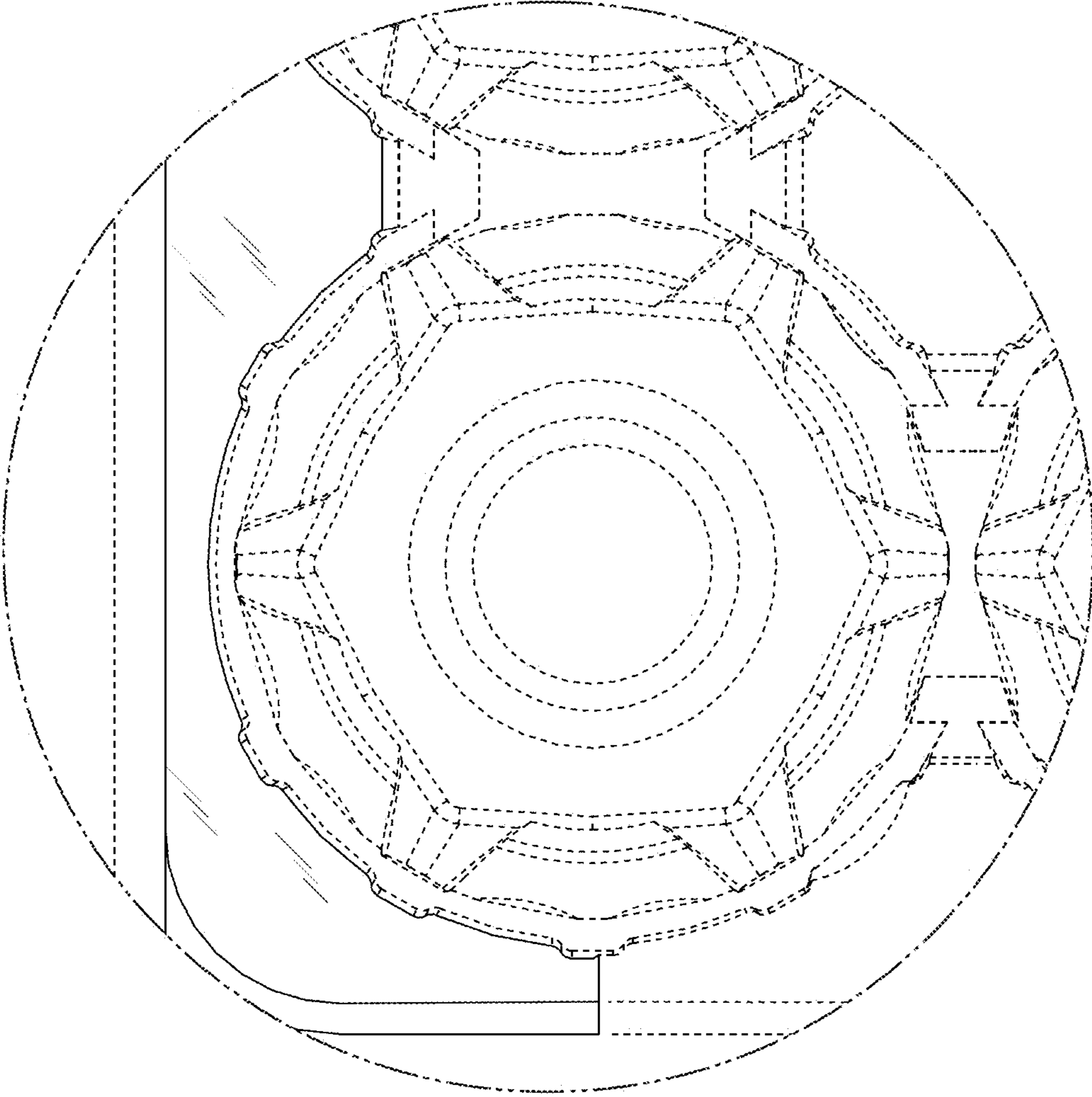


Fig. 7

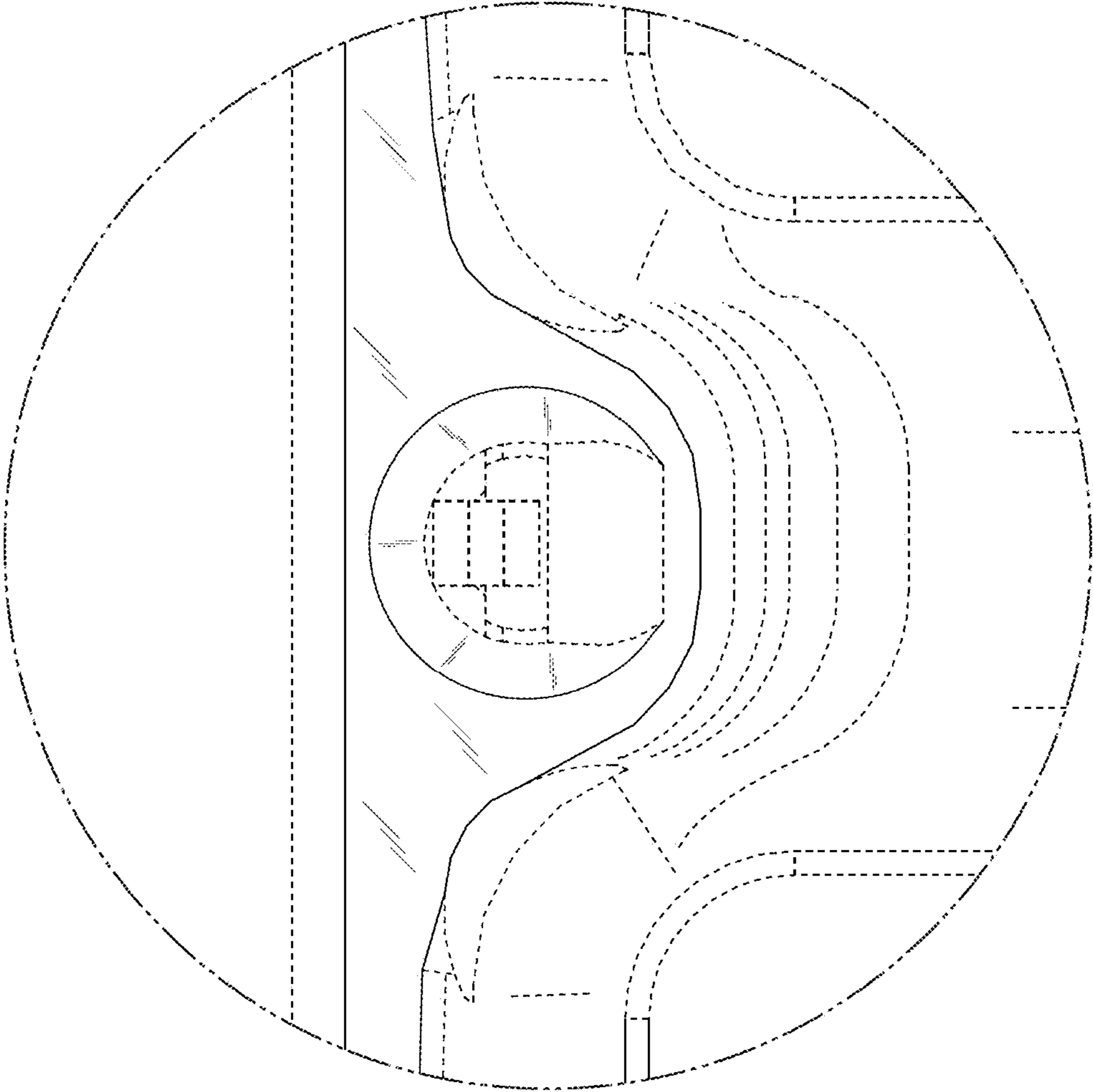


Fig. 8

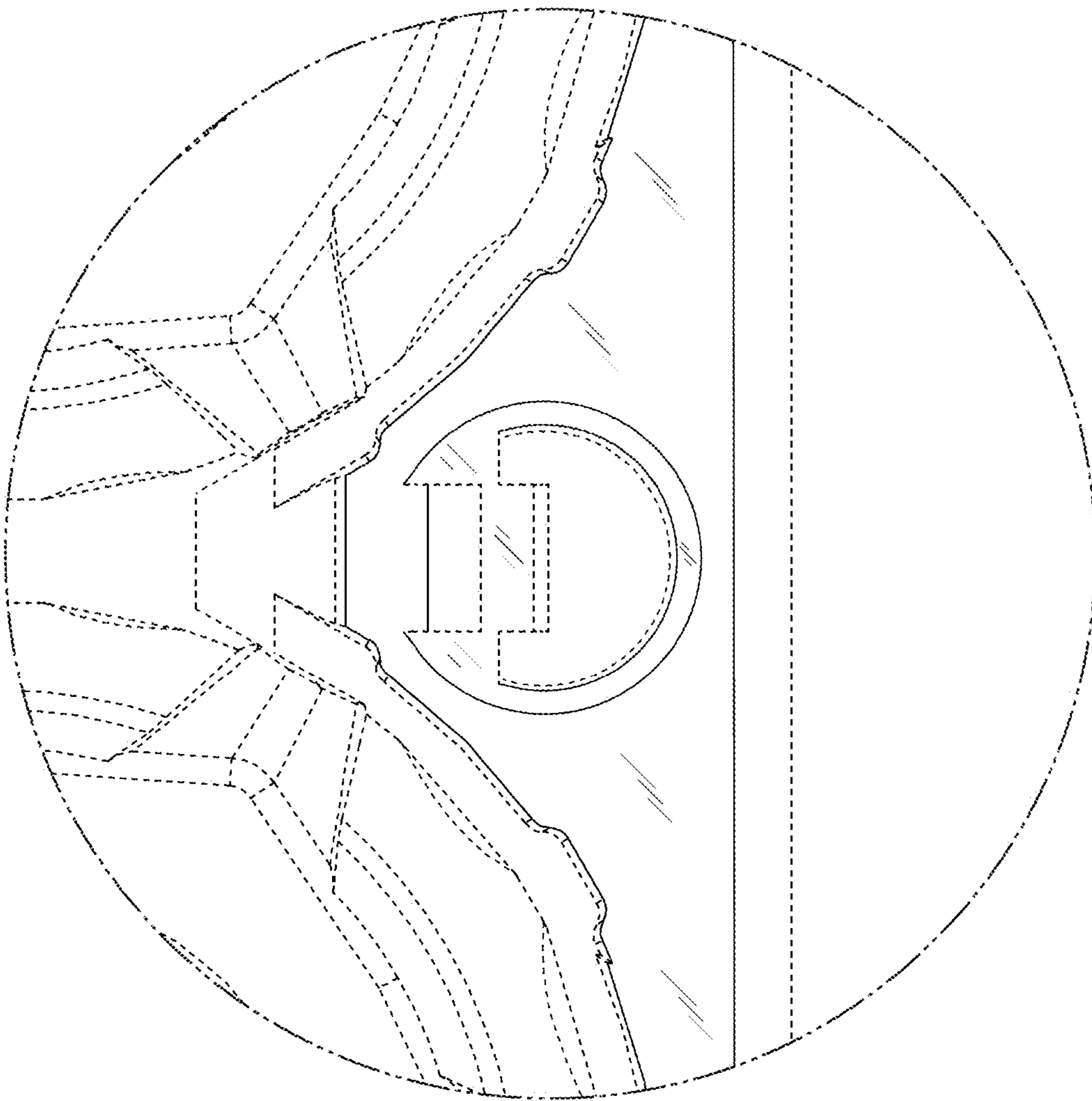


Fig. 9

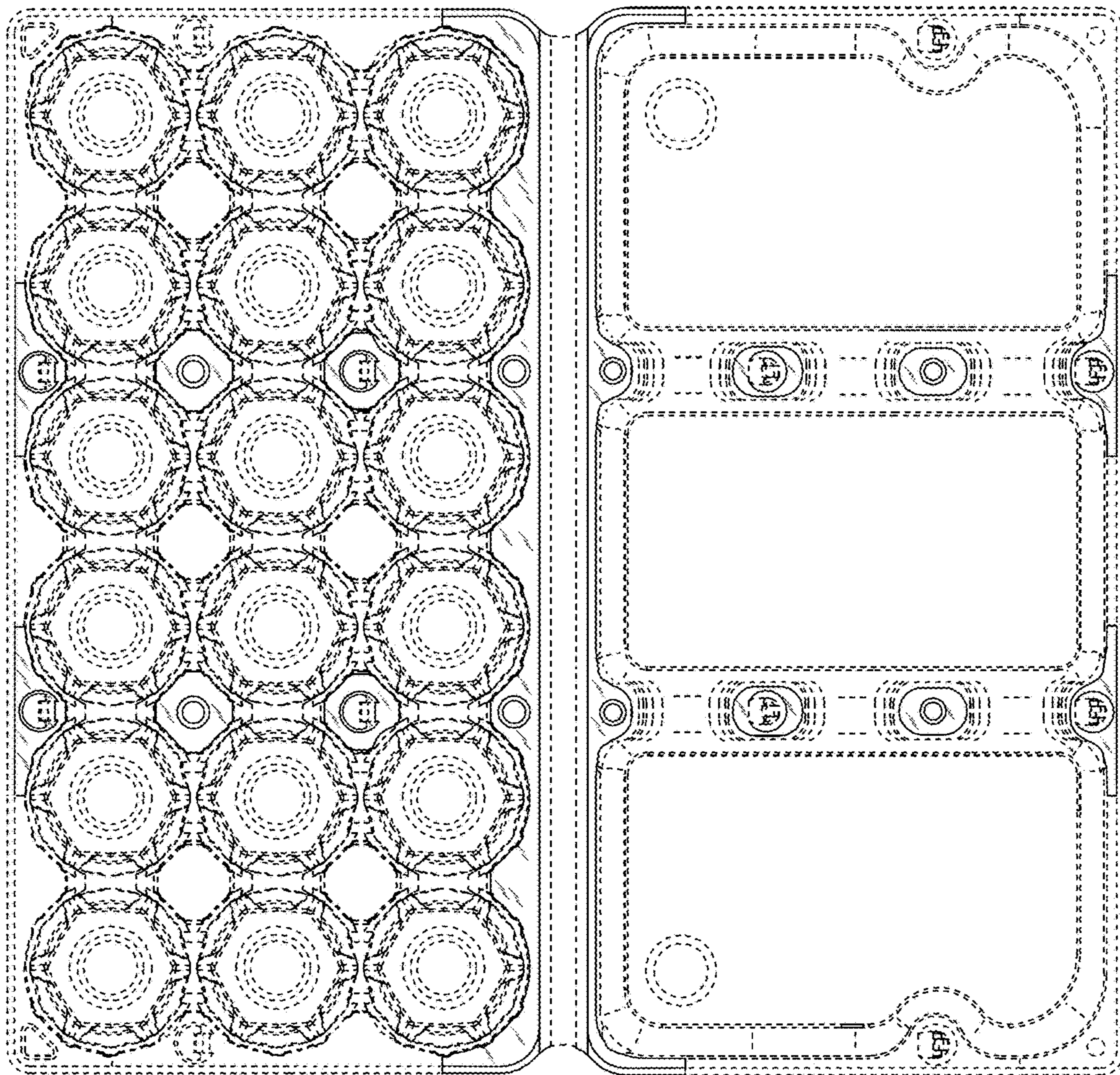


Fig. 10

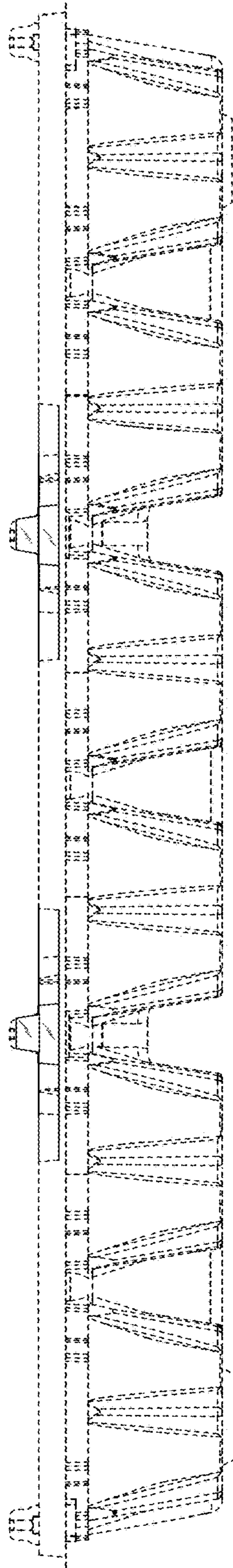


Fig. 11

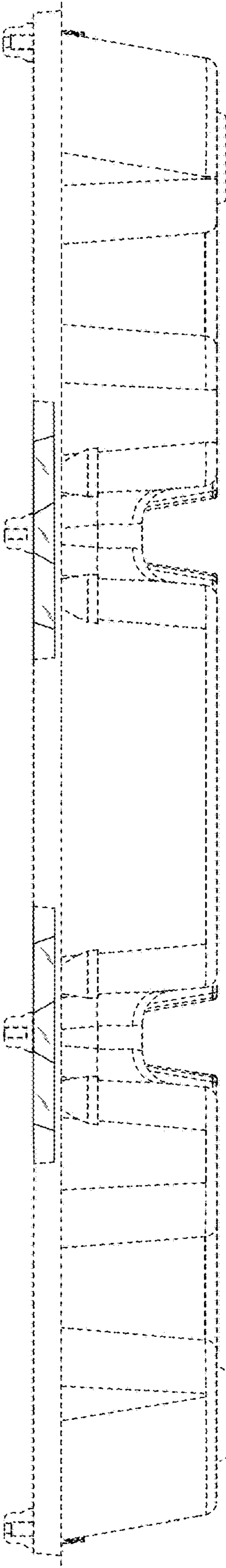


Fig. 12

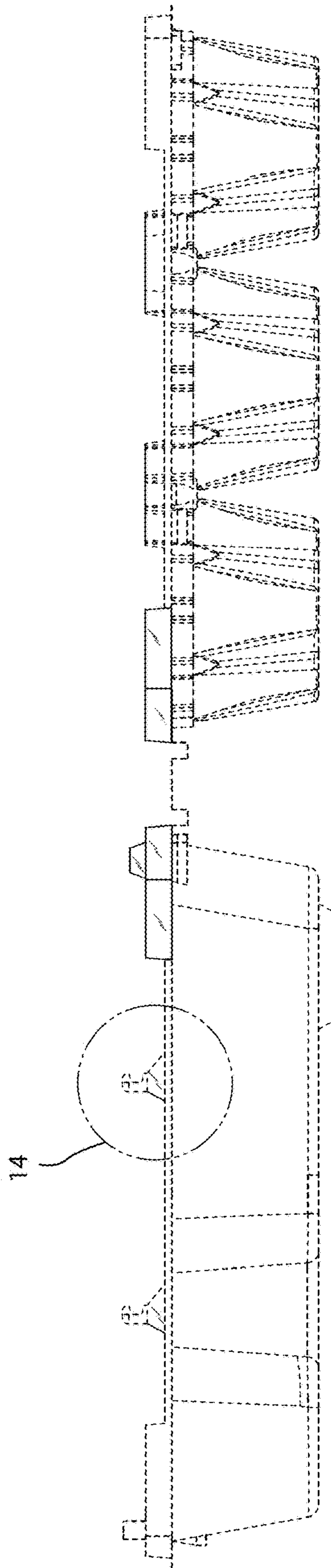


Fig. 13

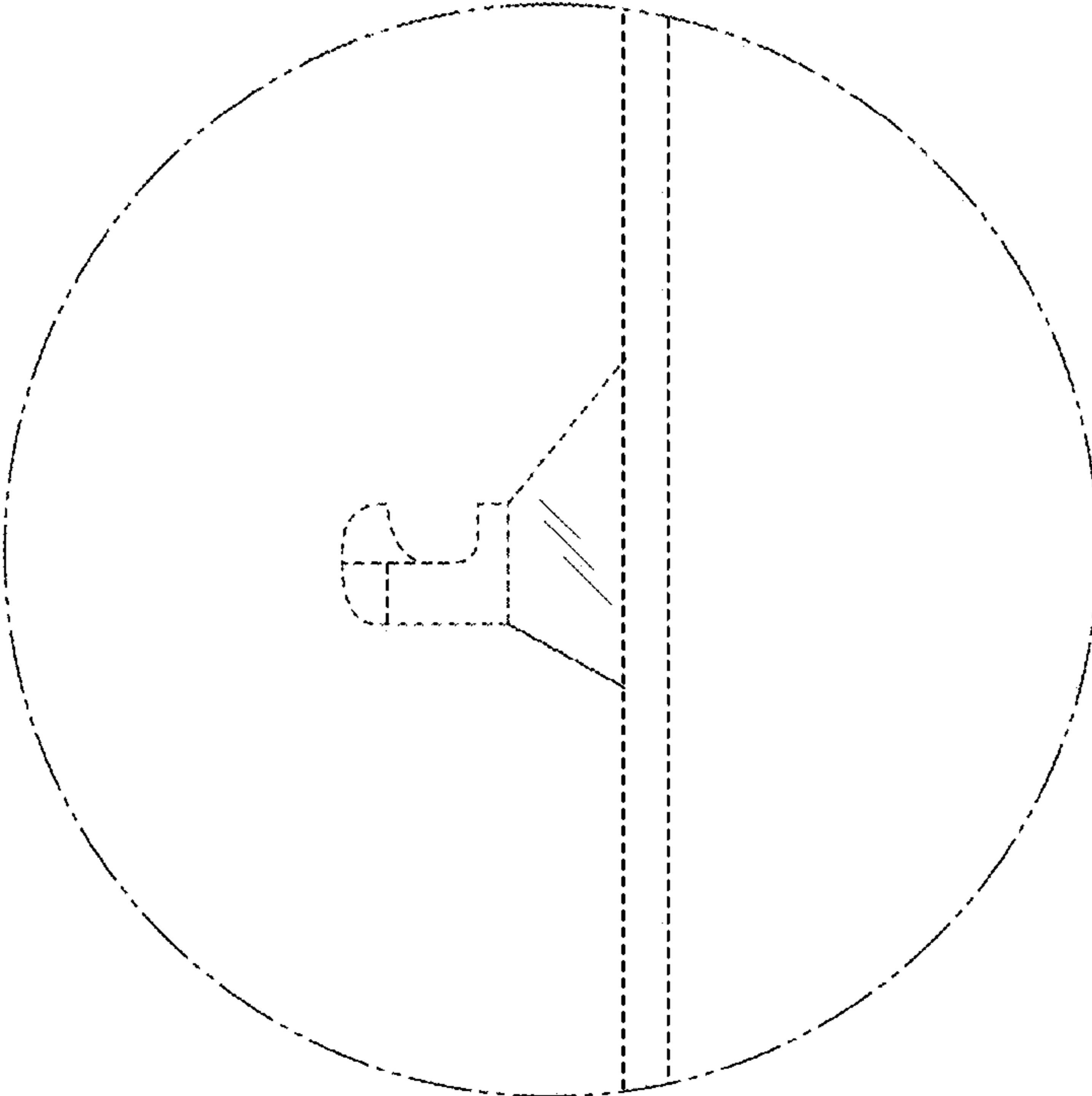


Fig. 14



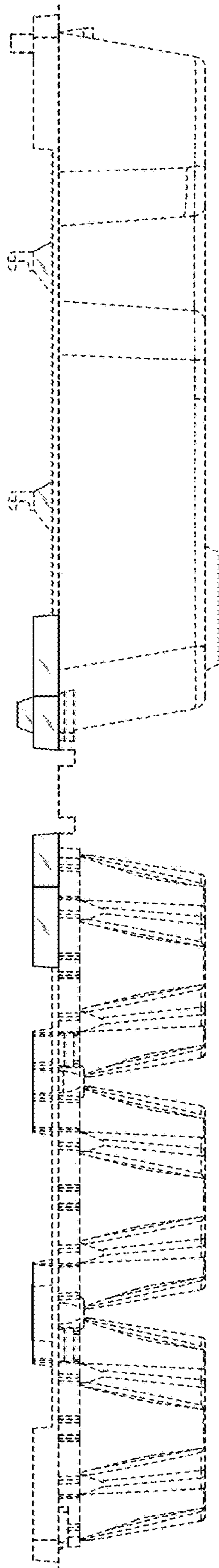


Fig. 15

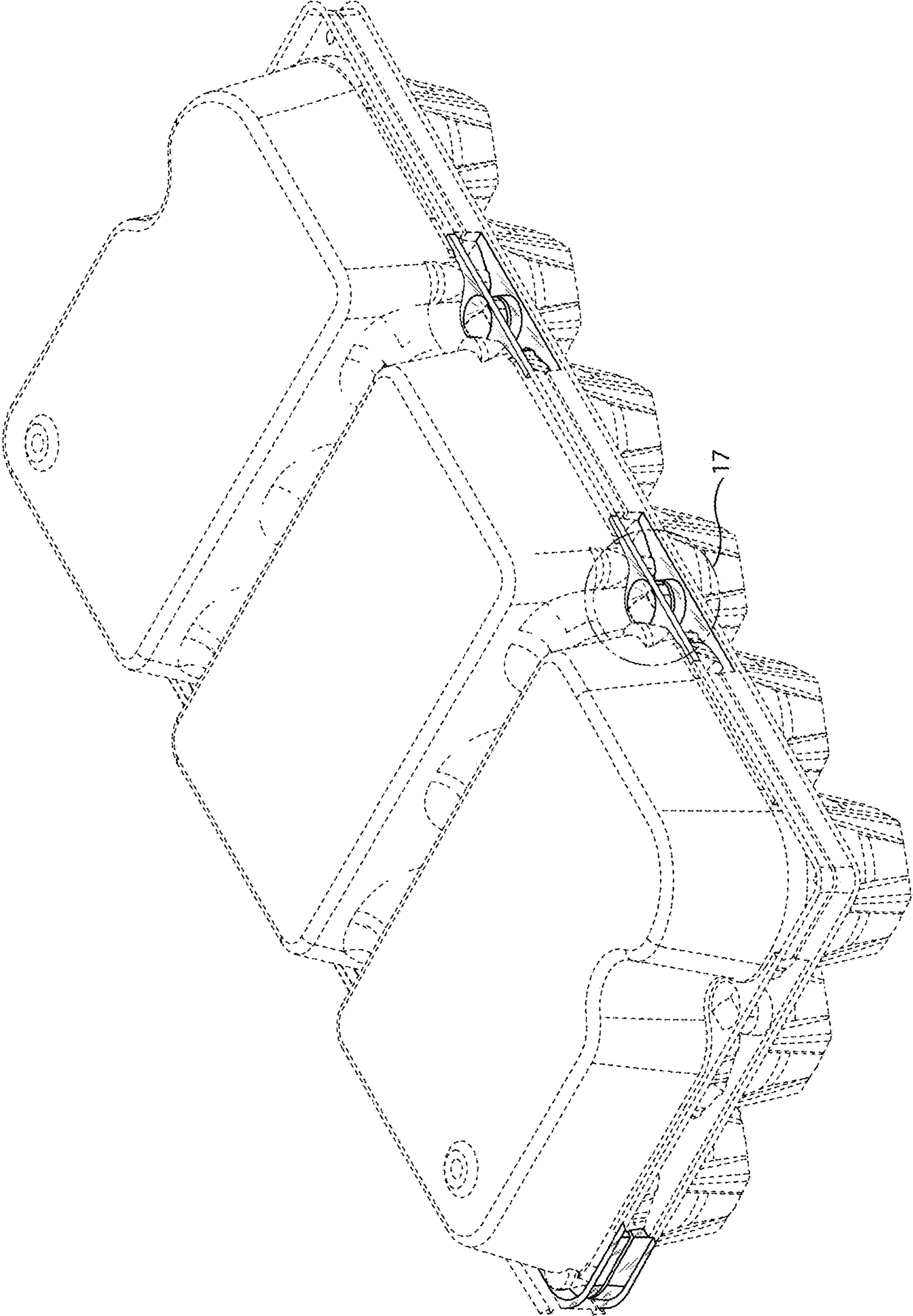


Fig. 16

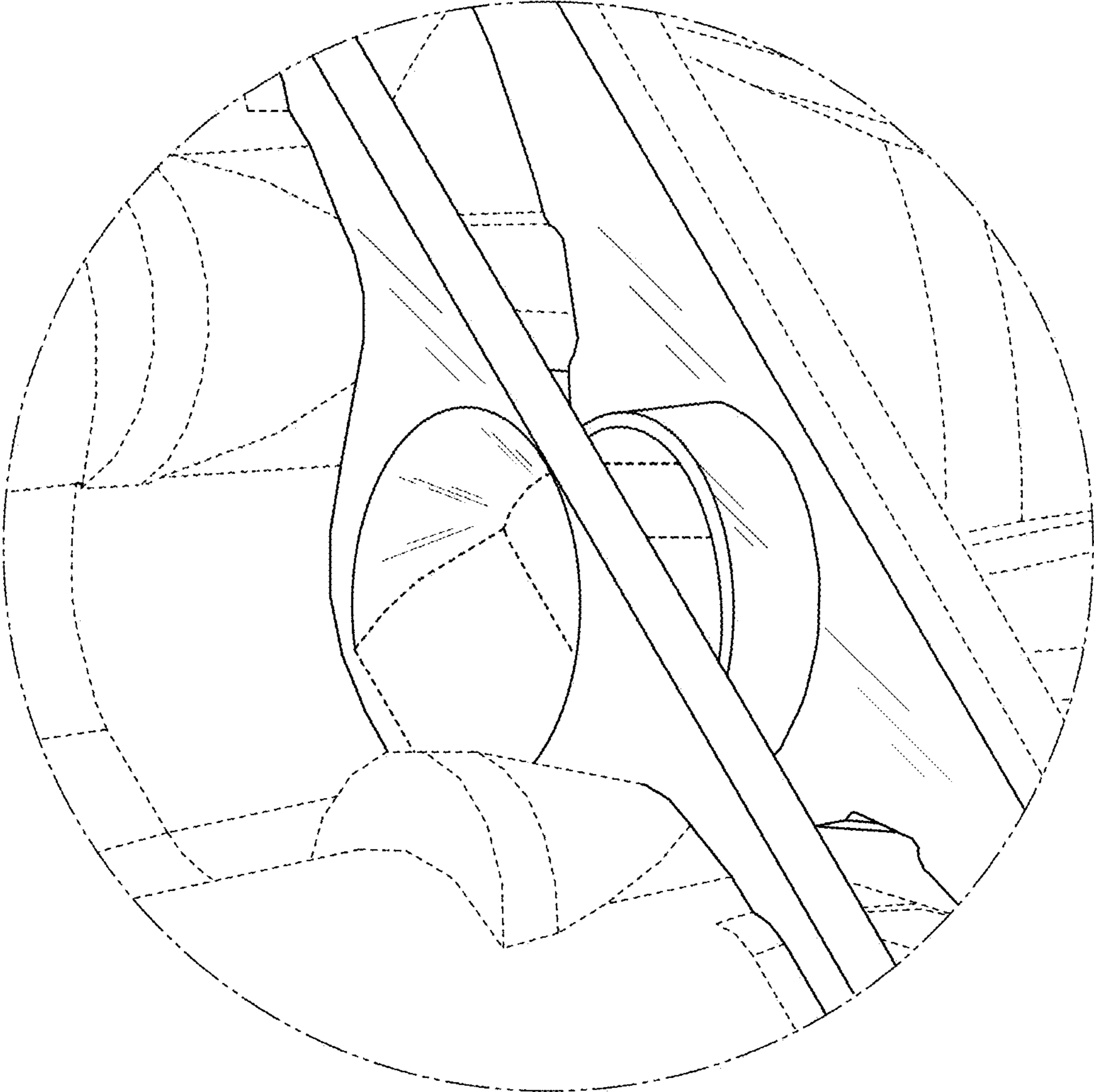


Fig.17

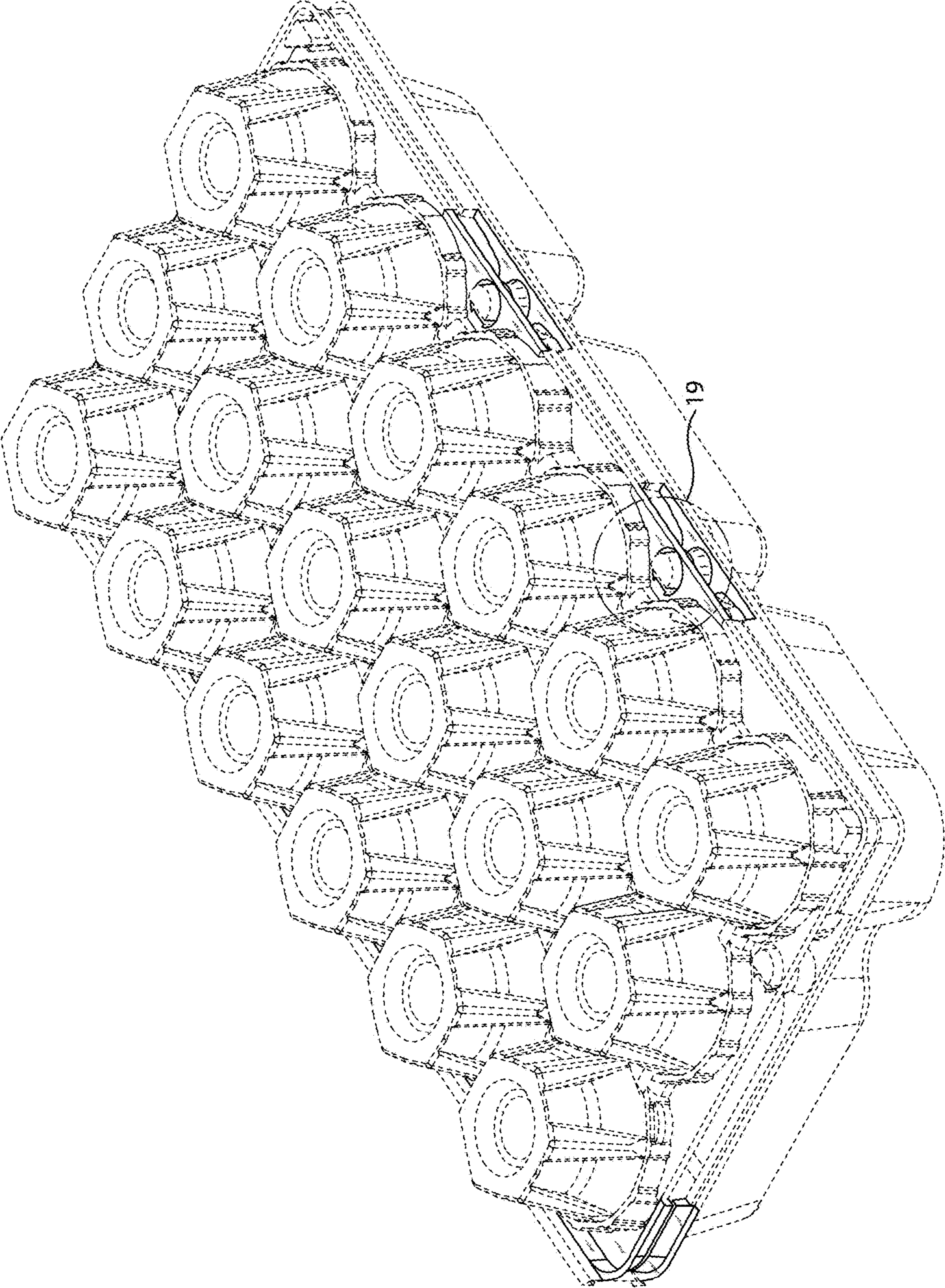


Fig. 18

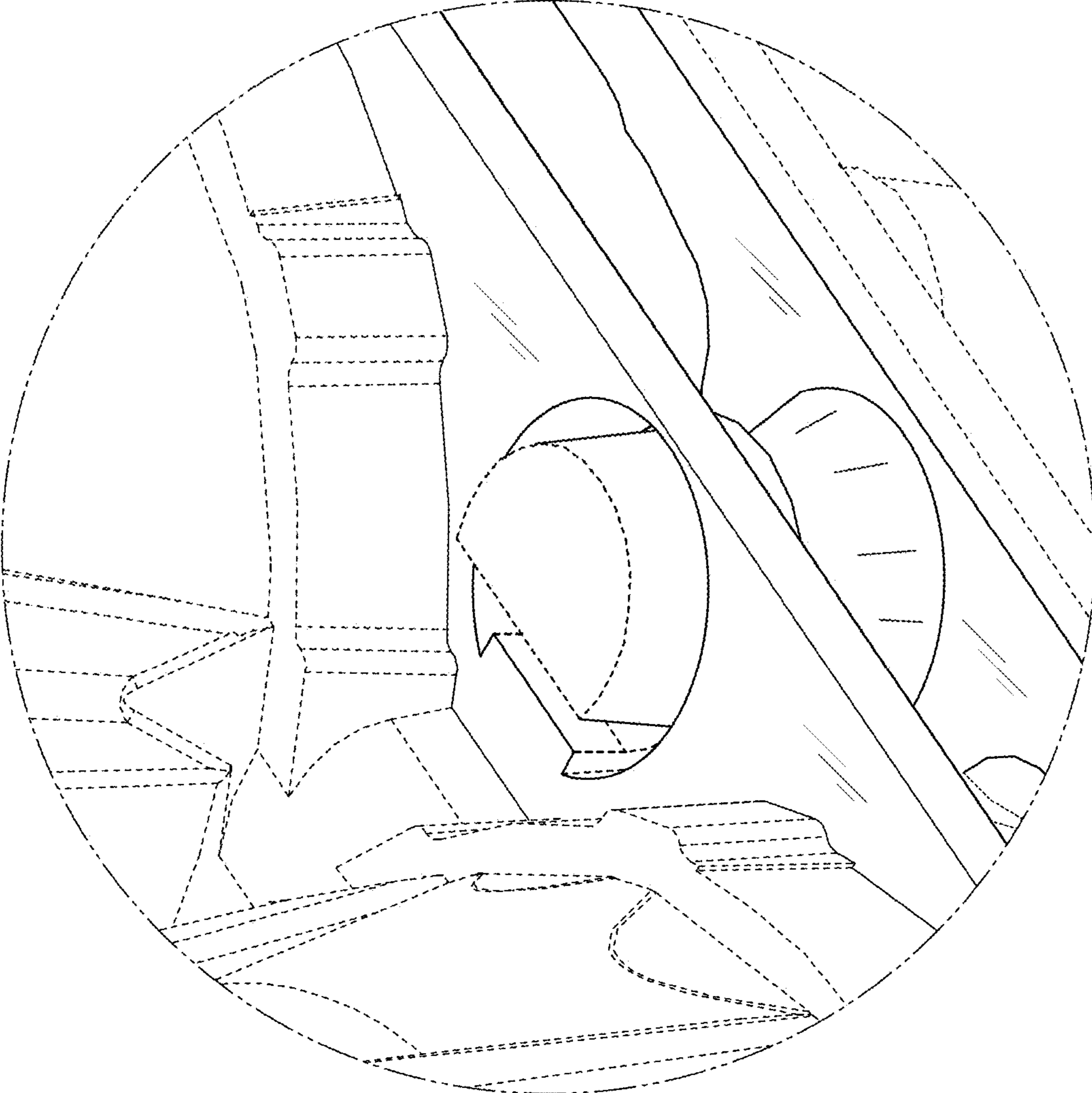


Fig. 19

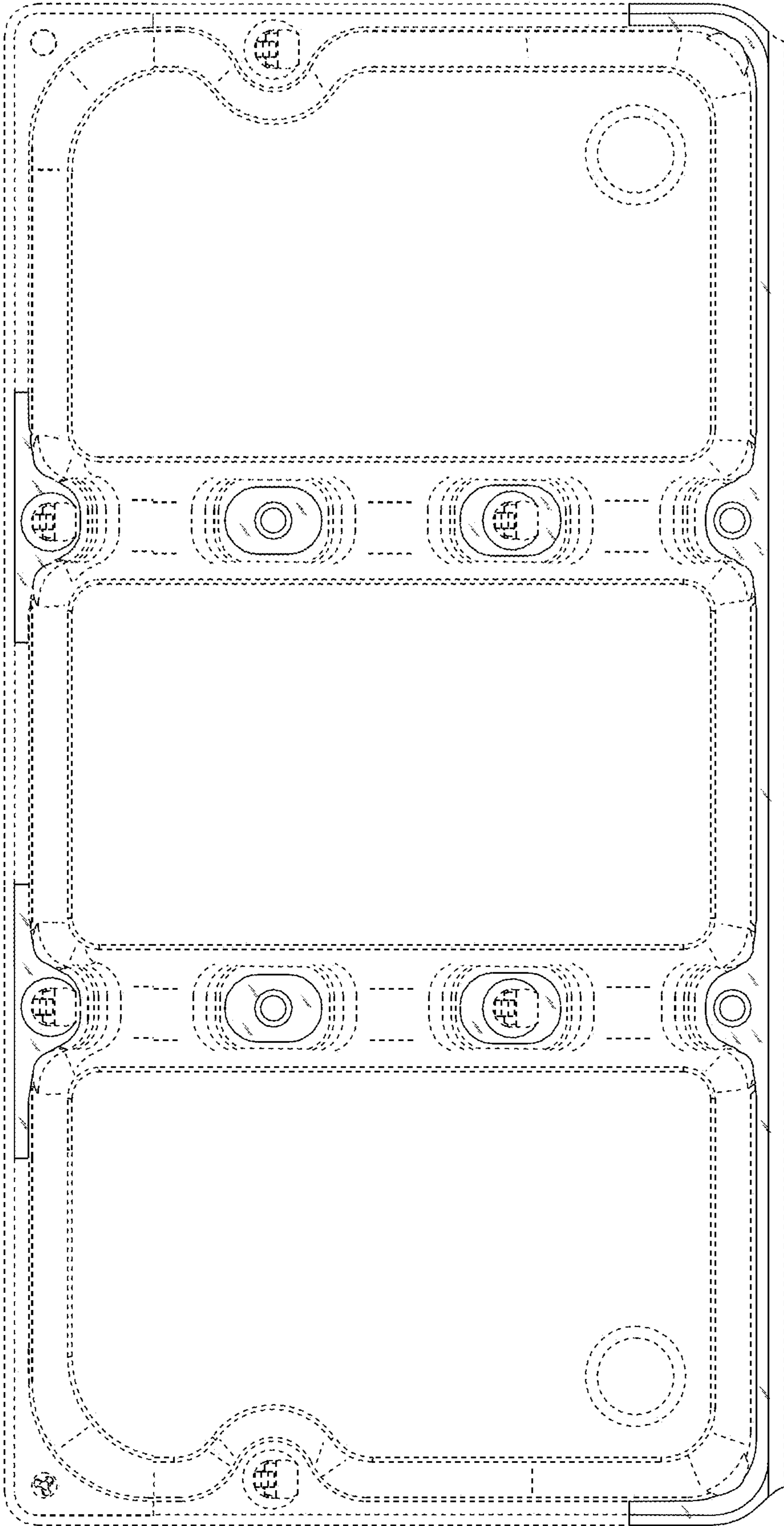


Fig. 20

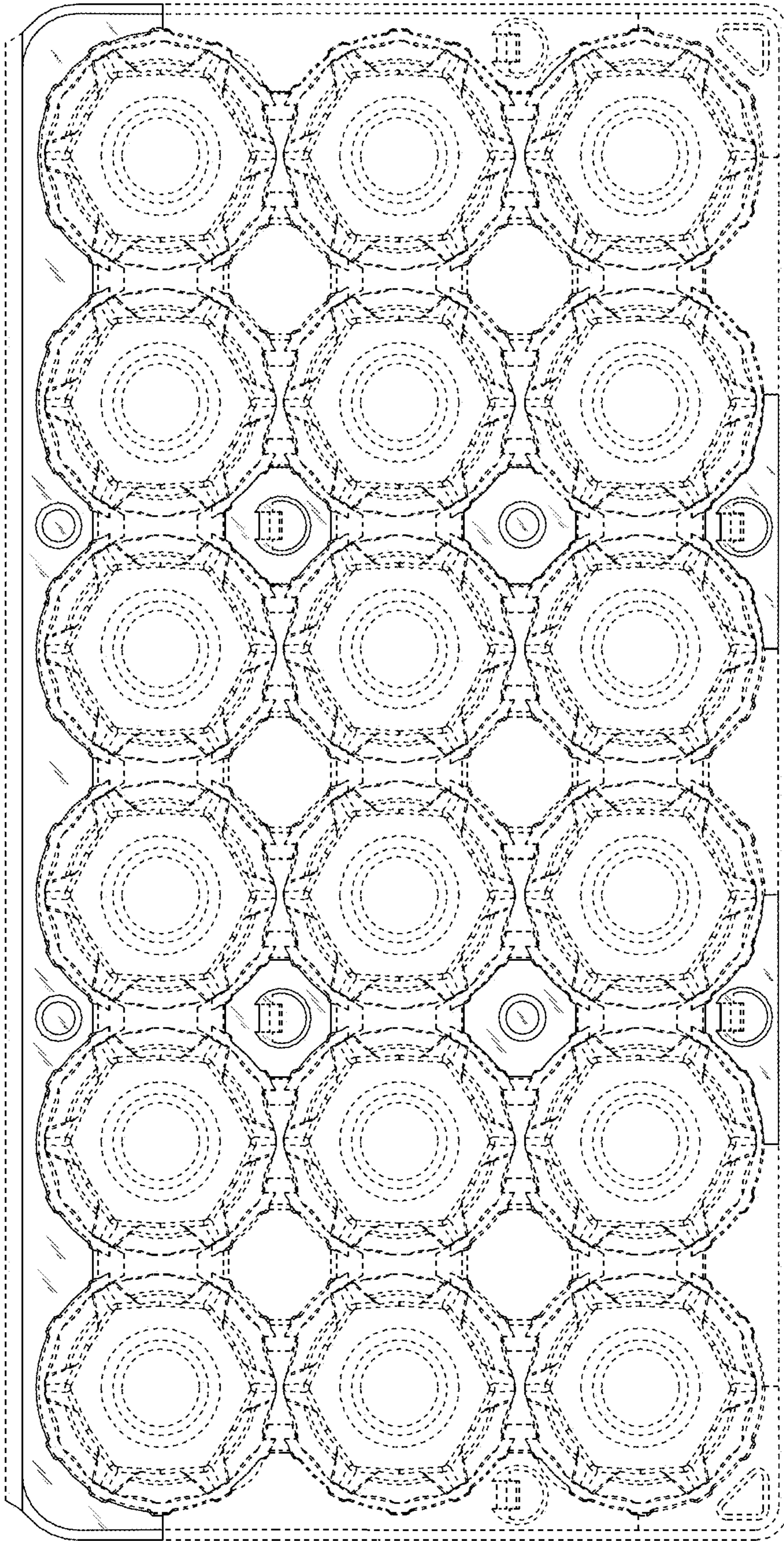


Fig. 21

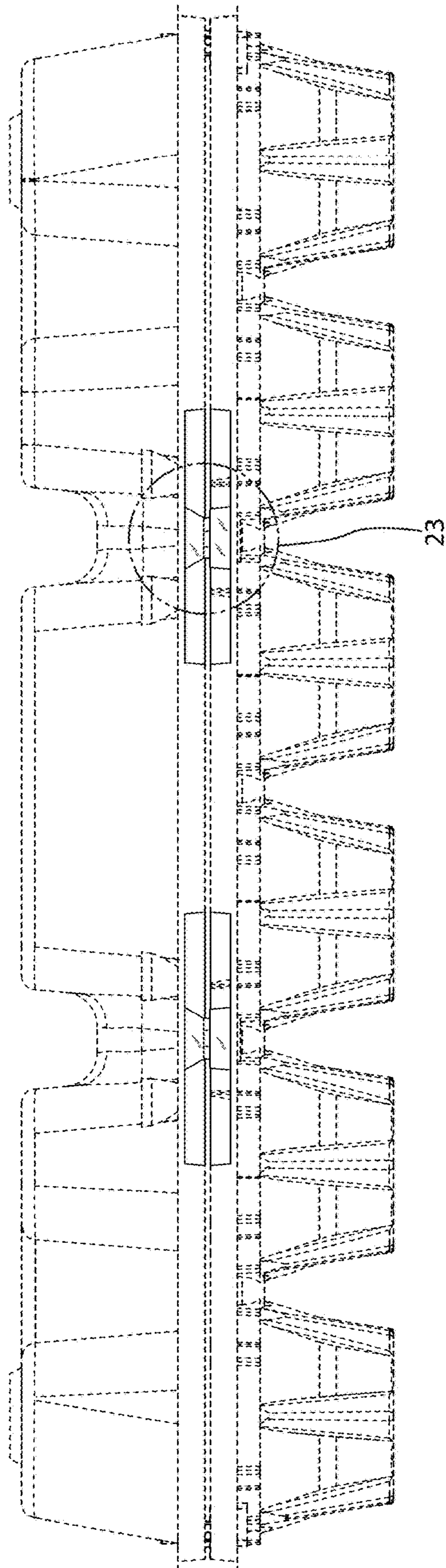


Fig. 22



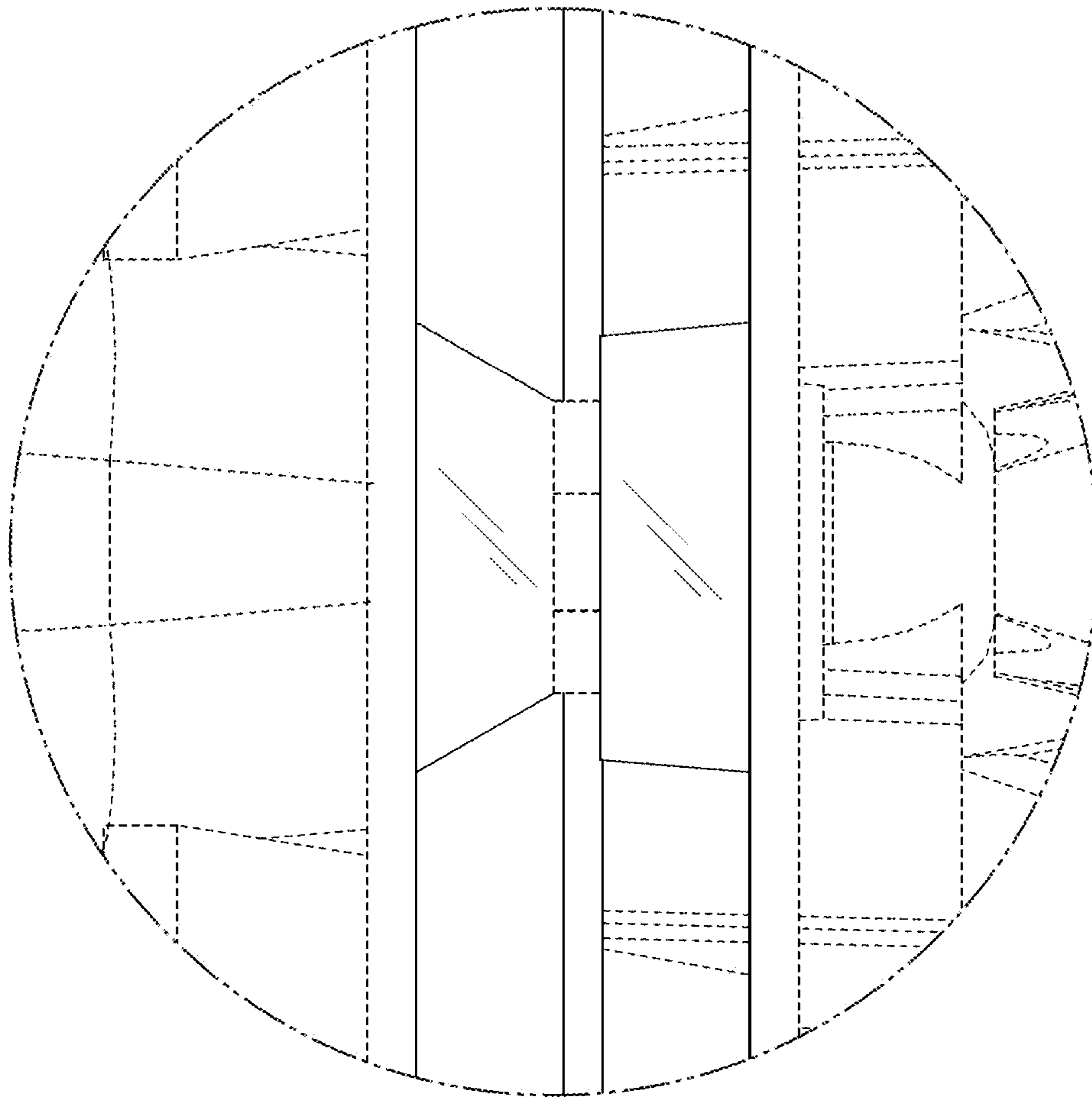


Fig. 23

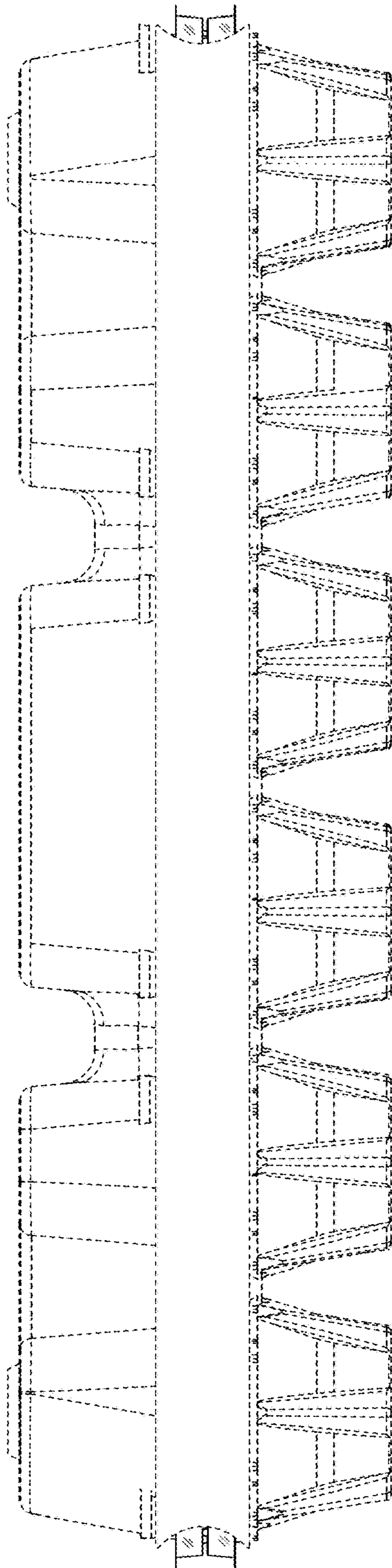


Fig. 24

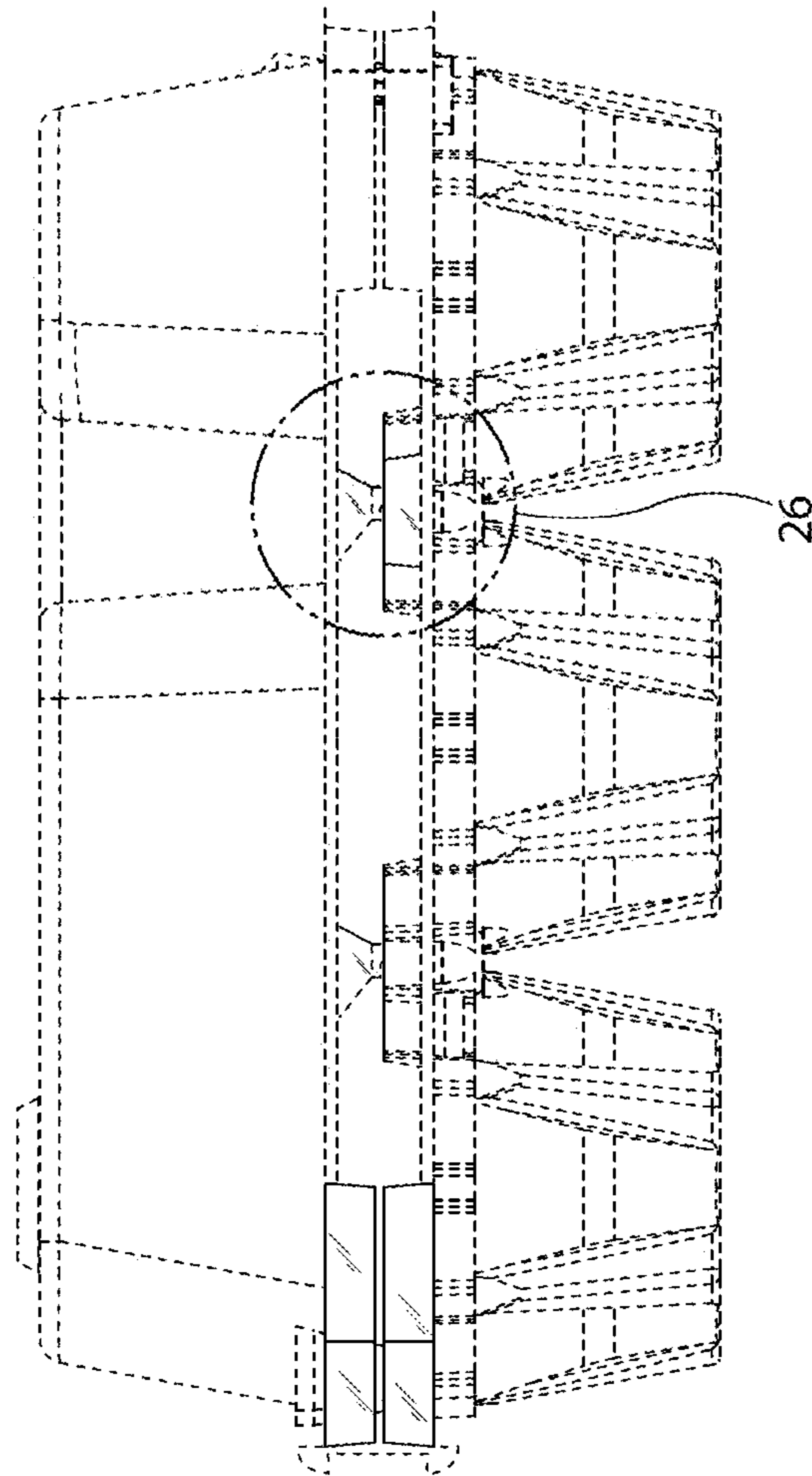


Fig. 25

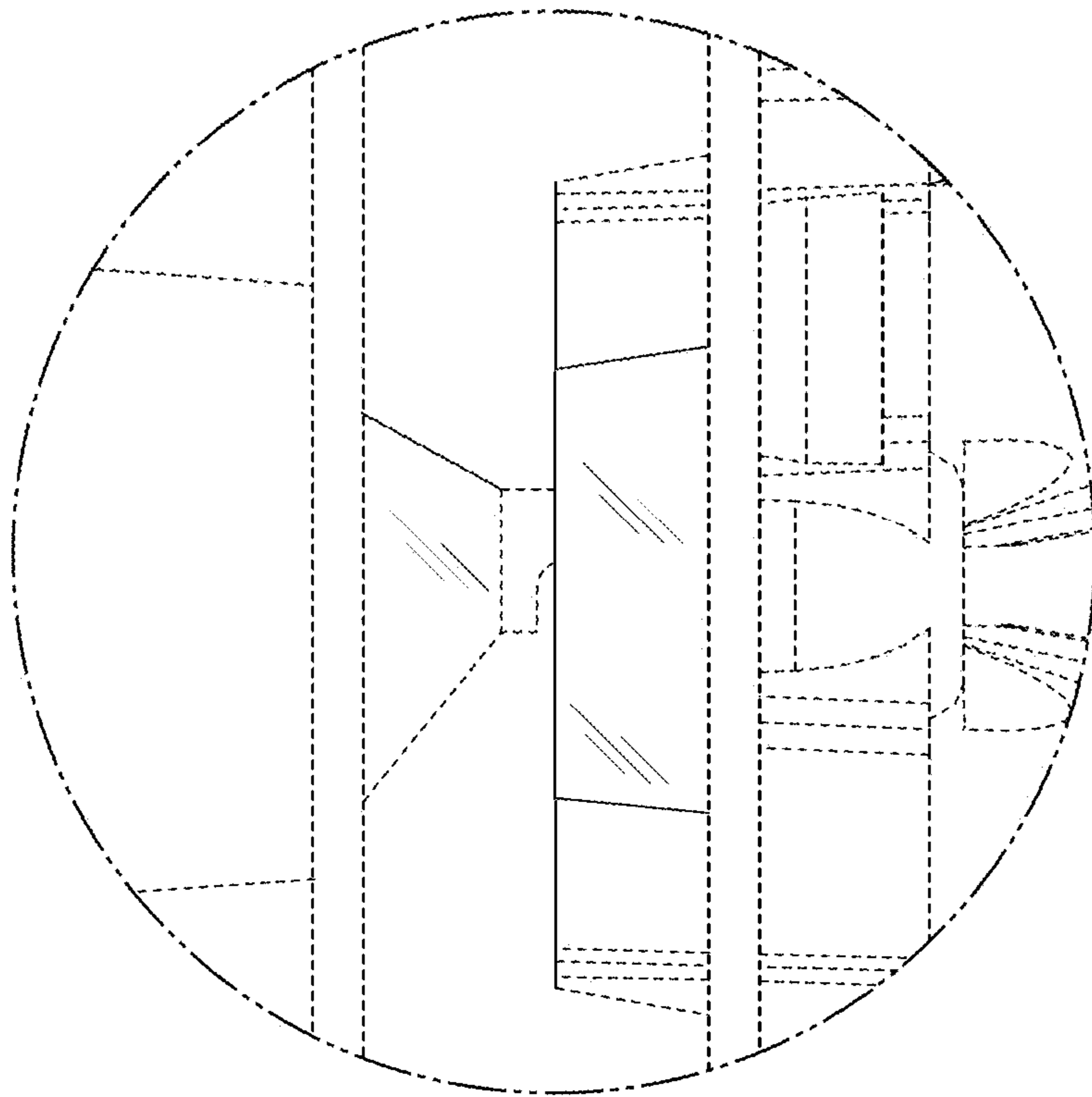


Fig. 26