



US00D976710S

(12) **United States Design Patent**  
**Porchia et al.**

(10) **Patent No.:** **US D976,710 S**  
(45) **Date of Patent:** **\*\* Jan. 31, 2023**

(54) **CONTAINER**

(71) Applicant: **S. C. Johnson & Son, Inc.**, Racine, WI (US)

(72) Inventors: **Jose Porchia**, Saginaw, MI (US); **Meghan McGuire**, Greendale, WI (US); **Daniel Grossman**, Suttons Bay, MI (US); **Albert Kwak**, Brooklyn, NY (US); **Neil Joseph Kwiatkowski**, Costa Mesa, CA (US); **Steven Michael Dibdin**, Bloomfield, NJ (US); **Forrest Milburn**, New York, NY (US)

(73) Assignee: **S. C. Johnson & Son, Inc.**, Racine, WI (US)

(\*\*) Term: **15 Years**

(21) Appl. No.: **29/795,860**

(22) Filed: **Jun. 21, 2021**

(51) **LOC (14) Cl.** ..... **09-05**

(52) **U.S. Cl.**

USPC ..... **D9/703**

(58) **Field of Classification Search**

USPC ..... D9/702-714, 499, 443, 434, 414-416, D9/423, 426, 429, 430, 432, 435-436; D24/118, 121; 426/106; 383/61.1, 42, 383/119, 108, 103, 106, 120, 127, 121, 383/123, 104; 222/92, 107, 215; 220/666; 211/85.15; 206/406, 811, 484, 206/260; 428/35.2; D3/203.1, 203.2, D3/303; 493/218  
CPC .... B65D 33/24; B65D 33/00; B65D 33/2508; B65D 75/5883; B65D 75/80; B65D 75/12; B65D 75/22; B65D 75/28; B65D 75/008;

(Continued)

(56) **References Cited**

**U.S. PATENT DOCUMENTS**

D424,849 S 5/2000 Beckwith  
D545,217 S 6/2007 Jeric et al.

(Continued)

**FOREIGN PATENT DOCUMENTS**

EM 002229724-0005 5/2013  
EM 002229724-0006 5/2013

(Continued)

*Primary Examiner* — Abraham Bahta

(74) *Attorney, Agent, or Firm* — Sterne, Kessler, Goldstein & Fox P.L.L.C.

(57) **CLAIM**

The ornamental design for a container, as shown and described.

**DESCRIPTION**

FIG. 1 is a top perspective view of a container showing the claimed design;

FIG. 2 is a bottom perspective view thereof;

FIG. 3 is a front view thereof;

FIG. 4 is a rear view thereof;

FIG. 5 is a left side view thereof;

FIG. 6 is a right side view thereof;

FIG. 7 is a top view thereof;

FIG. 8 is a bottom view thereof;

FIG. 9 is a top perspective view of another container showing the claimed design;

FIG. 10 is a bottom perspective view thereof;

FIG. 11 is a front view thereof;

FIG. 12 is a rear view thereof;

FIG. 13 is a left side view thereof;

FIG. 14 is a right side view thereof;

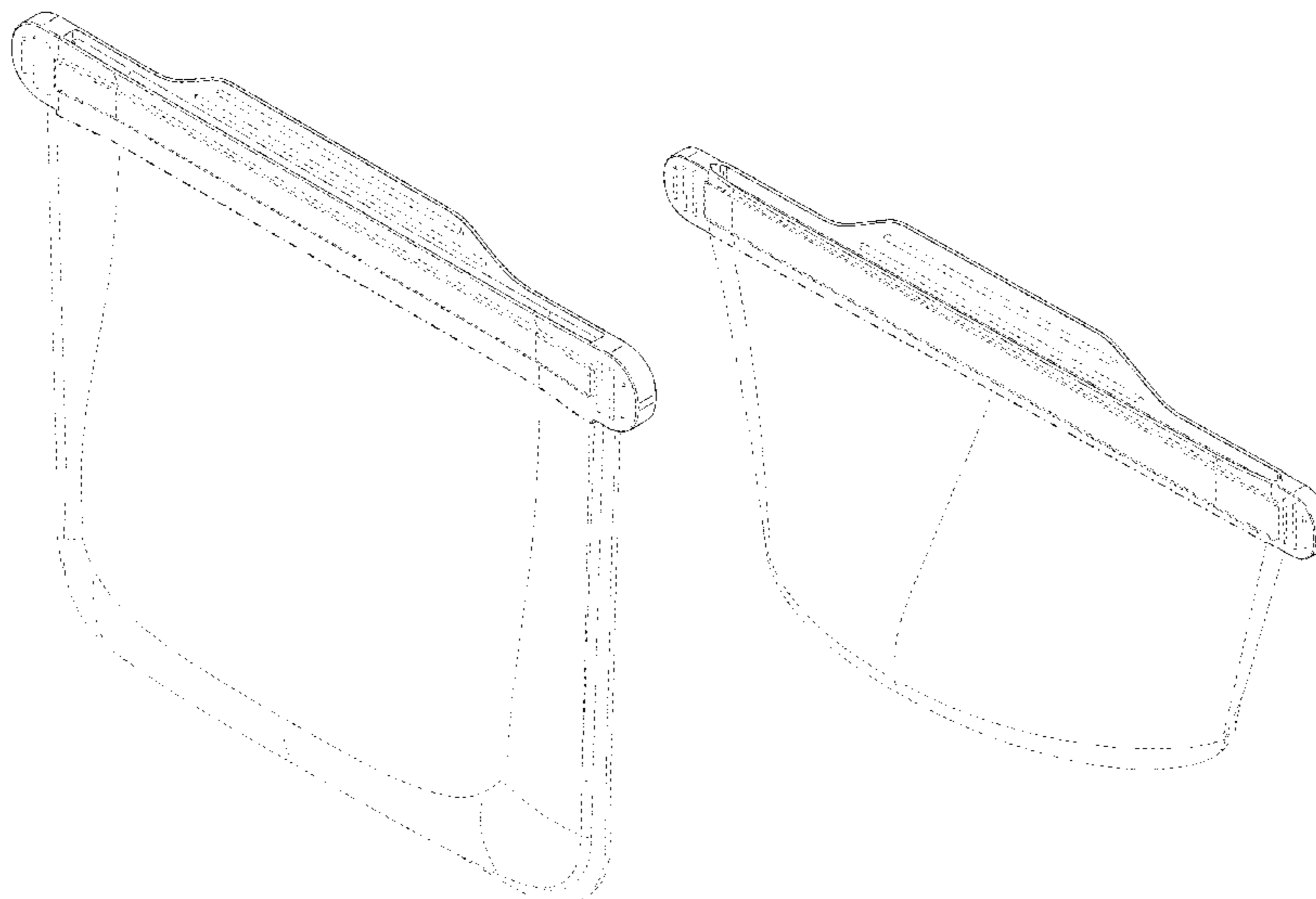
FIG. 15 is a top view thereof; and,

FIG. 16 is a bottom view thereof.

The dashed broken lines in the figures show portions of the container that form no part of the claimed design.

The dot-dash broken lines in the figures show boundaries that form no part of the claimed design.

**1 Claim, 12 Drawing Sheets**



# US D976,710 S

Page 2

- (58) **Field of Classification Search**  
CPC ..... B65D 65/00; B65D 65/02; B65D 65/08;  
B65D 65/10  
See application file for complete search history.

(56) **References Cited**

U.S. PATENT DOCUMENTS

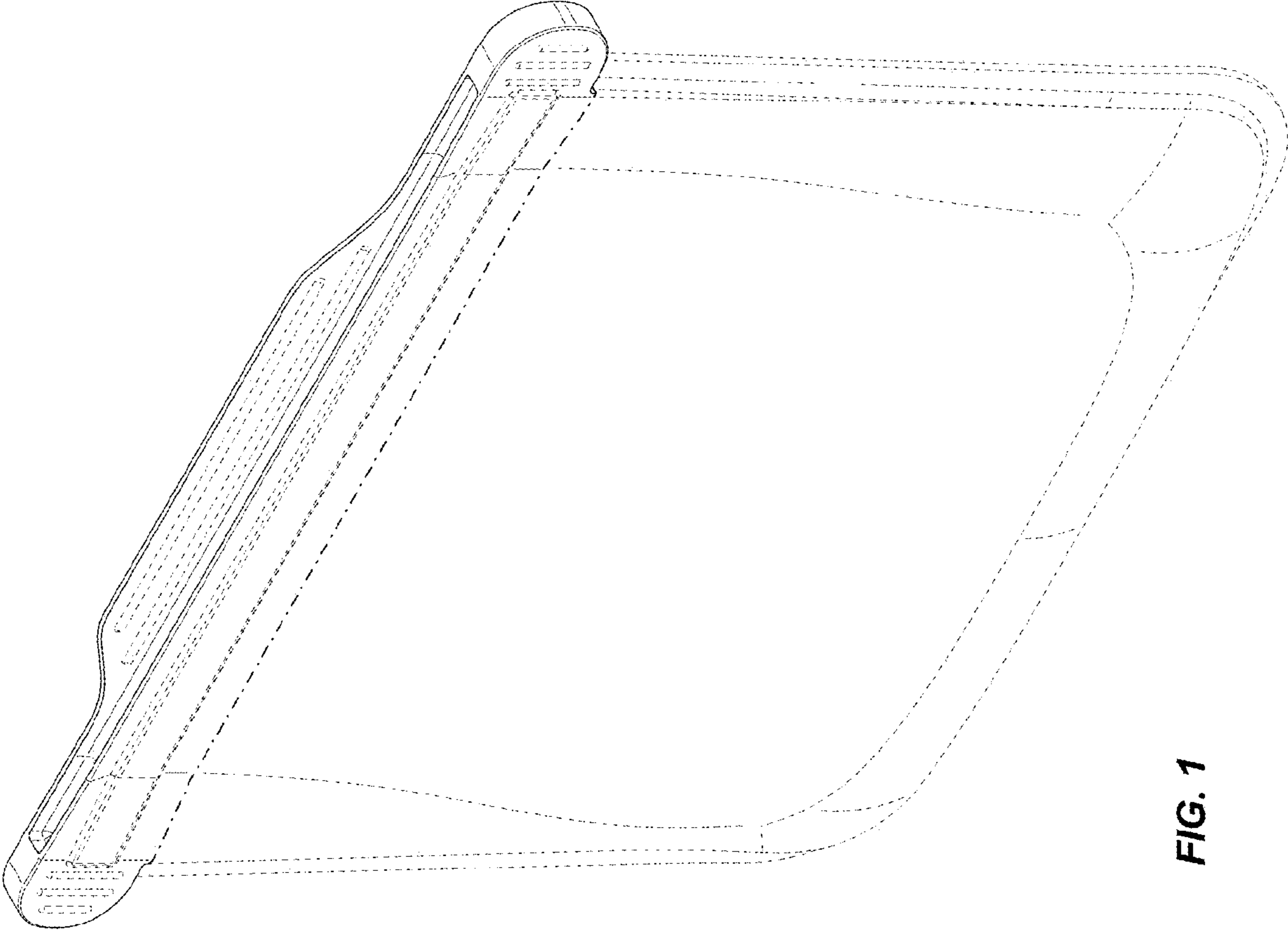
D684,867 S	6/2013	English et al.	
D684,868 S	6/2013	Kessler, Jr. et al.	
D688,566 S	8/2013	Böhmke et al.	
D692,315 S	10/2013	Böhmke et al.	
D692,316 S	10/2013	Böhmke et al.	
D692,317 S	10/2013	Bower et al.	
D747,219 S	1/2016	Yu et al.	
D812,490 S	3/2018	Wigman et al.	
D812,491 S	3/2018	Wigman et al.	
D813,055 S	3/2018	Hokes	
D864,755 S *	10/2019	Eberhardt .....	D9/707
D873,083 S	1/2020	Finell et al.	
D873,084 S	1/2020	Finell et al.	
D874,294 S	2/2020	McGrath	
D876,172 S	2/2020	Finell et al.	
D876,891 S	3/2020	Finell et al.	
D878,925 S	3/2020	McGrath	
D878,926 S	3/2020	McGrath	
D879,563 S	3/2020	Xu	
D880,249 S	4/2020	Xu	

D886,533 S	6/2020	Finell et al.	
D886,534 S	6/2020	Finell et al.	
D887,786 S	6/2020	Finell et al.	
D903,503 S *	12/2020	Burggren .....	D9/709
D919,956 S	5/2021	Xie	
D940,565 S *	1/2022	Nguyen .....	D9/705
D947,680 S *	4/2022	Hsu .....	D9/703
D957,259 S *	7/2022	Yang .....	D9/705

FOREIGN PATENT DOCUMENTS

EM	004720613-0001	3/2018
EM	004720175-0001	4/2018
EM	004720597-0001	4/2018
EM	004720605-0001	4/2018
EM	005263712-0003	10/2018
EM	005263712-0004	10/2018
EM	005263712-0005	10/2018
EM	007542980-0001	3/2020
EM	007542980-0003	3/2020
EM	007542980-0004	3/2020
EM	007542980-0005	3/2020
EM	007542980-0006	3/2020
EM	007542980-0007	3/2020
EM	007542980-0012	3/2020
EM	007771209-0001	4/2020
EM	007771209-0002	4/2020

\* cited by examiner



**FIG. 1**

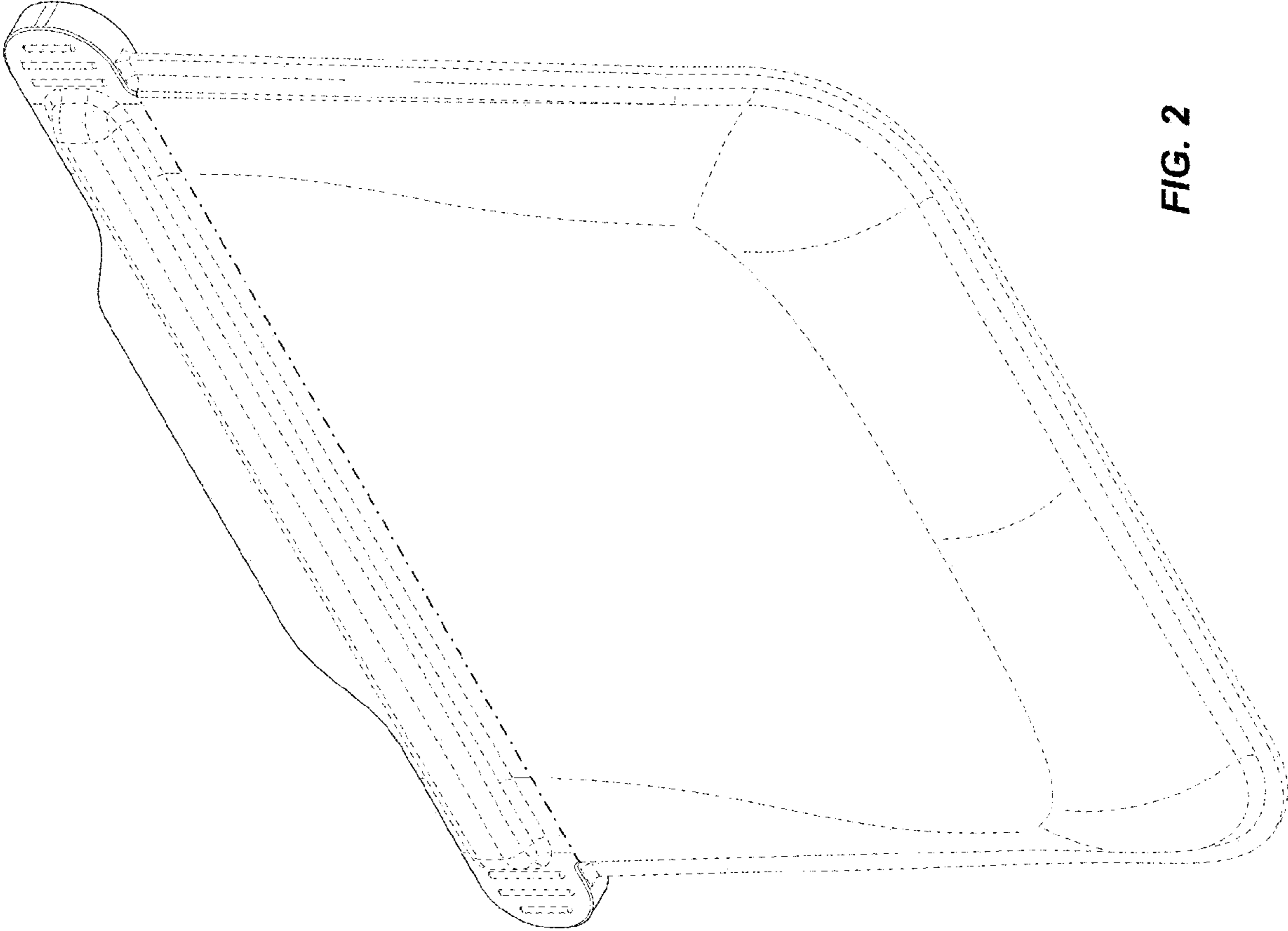


FIG. 2

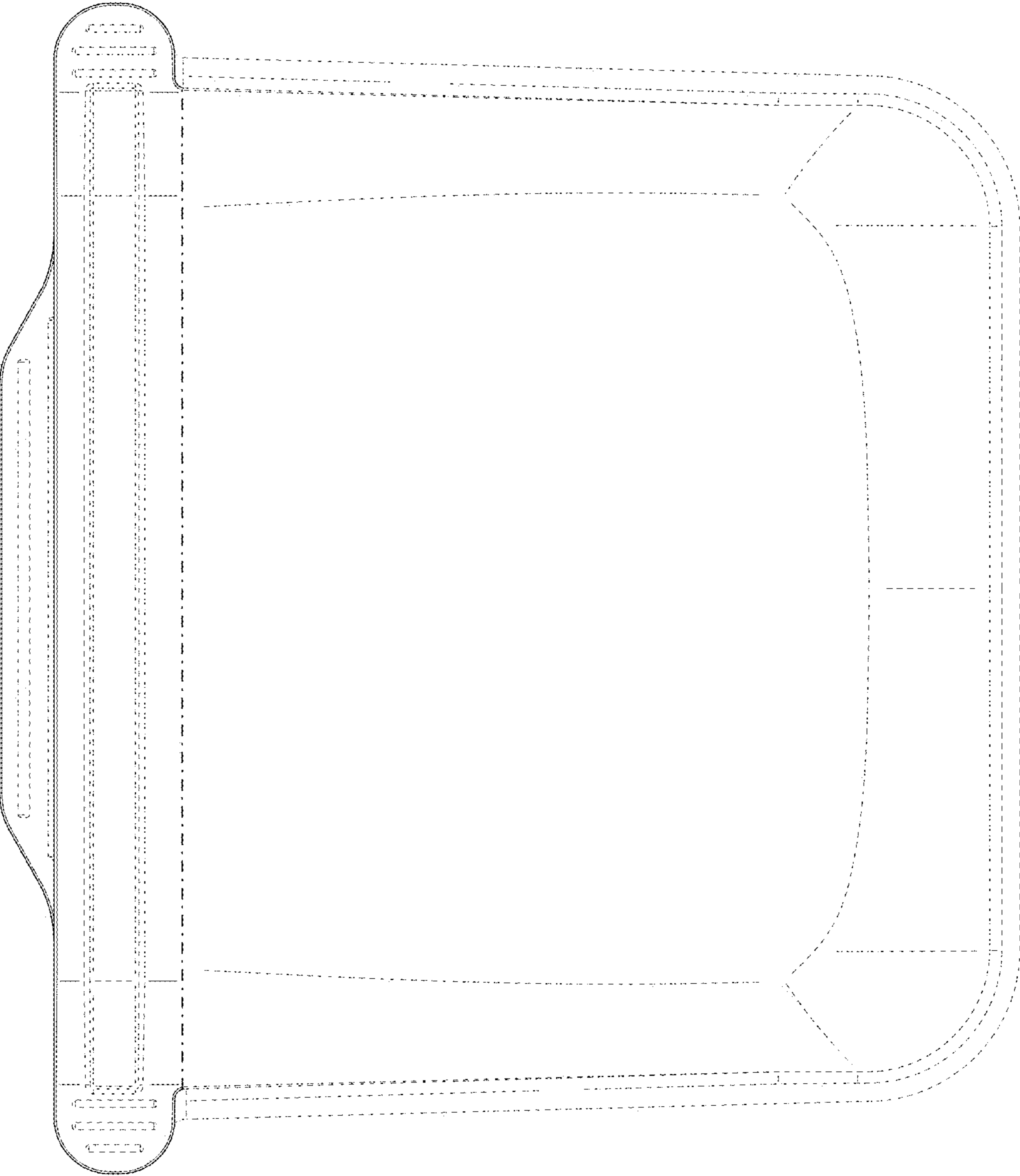


FIG. 3



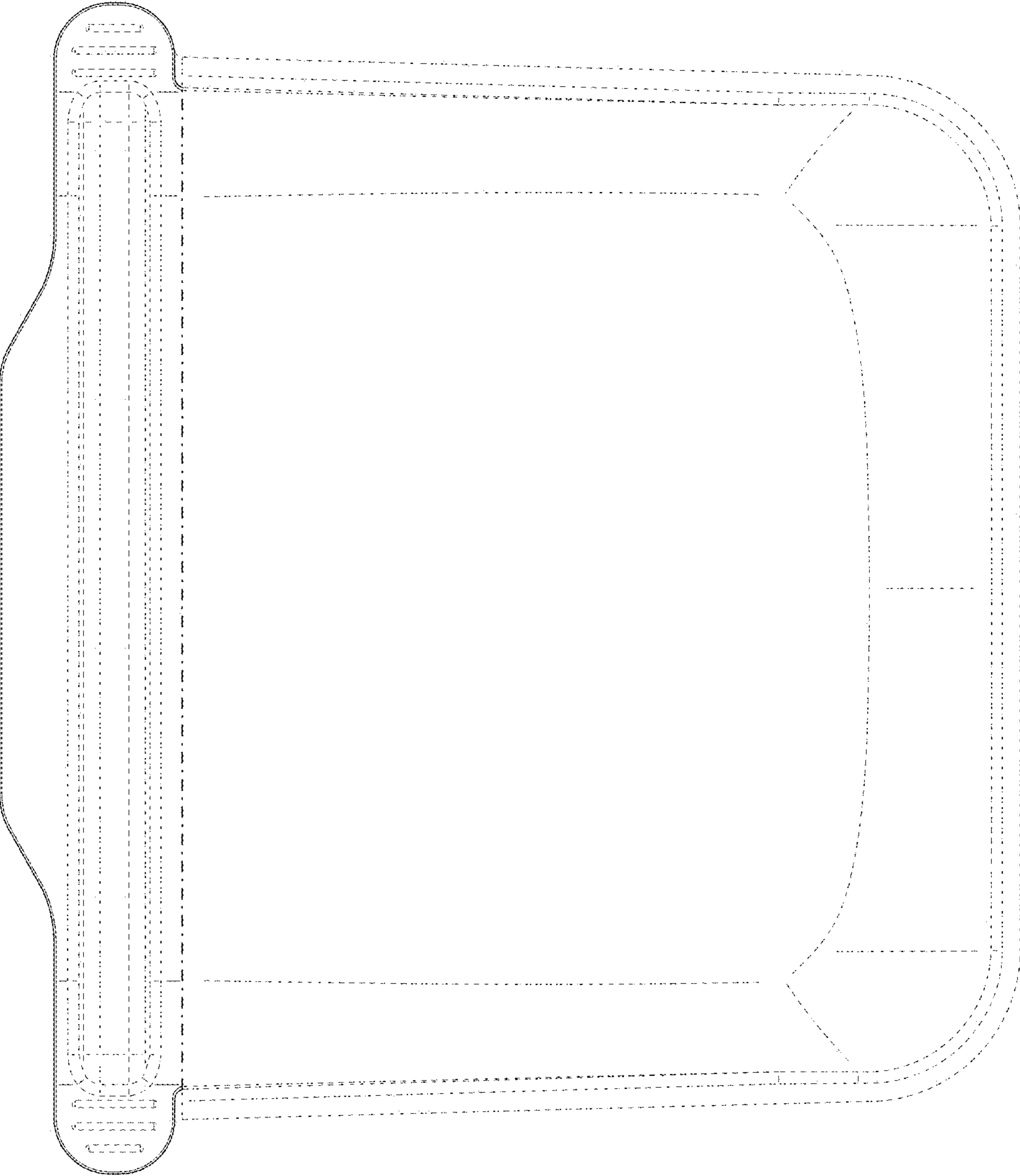
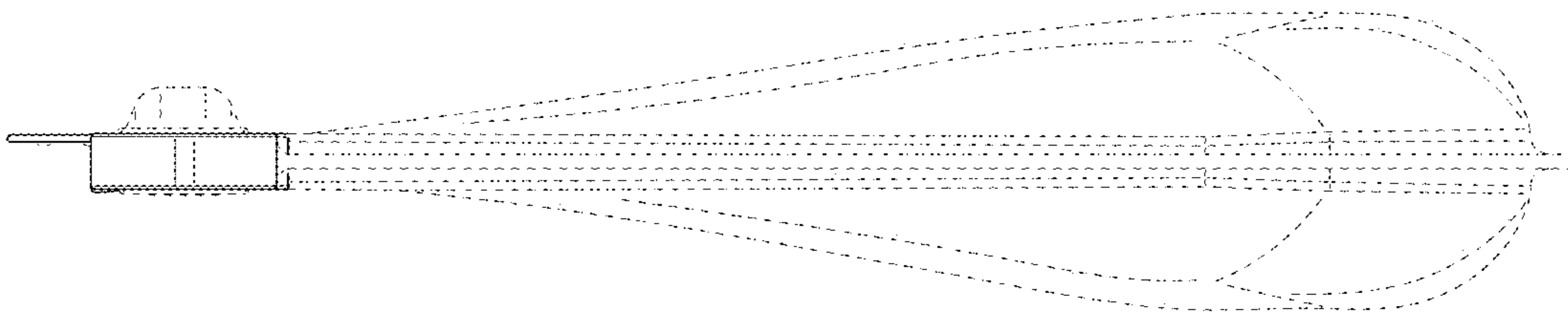
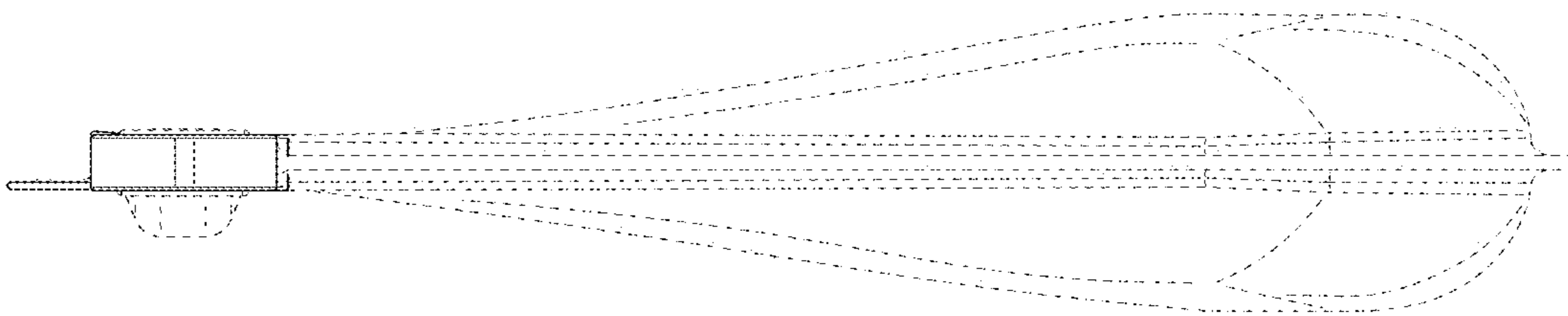


FIG. 4



**FIG. 6**



**FIG. 5**

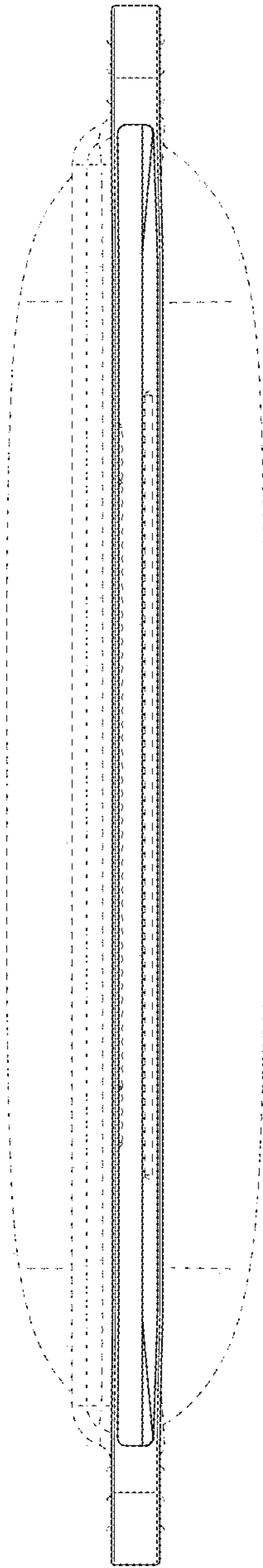


FIG. 7

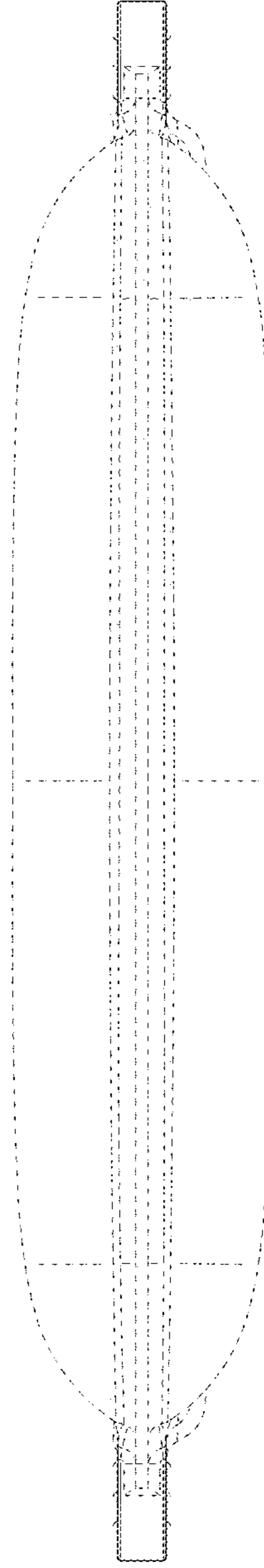


FIG. 8



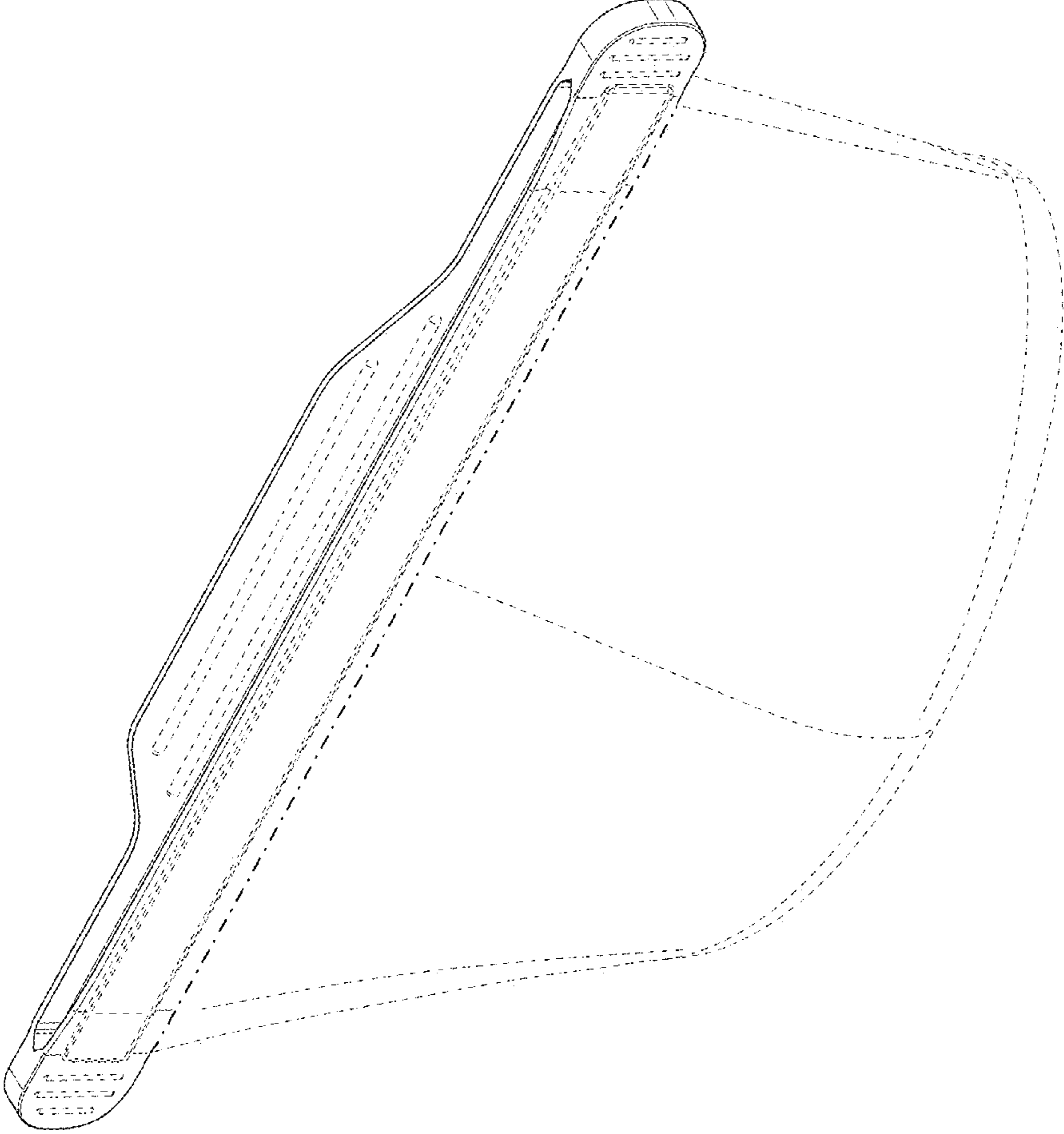


FIG. 9

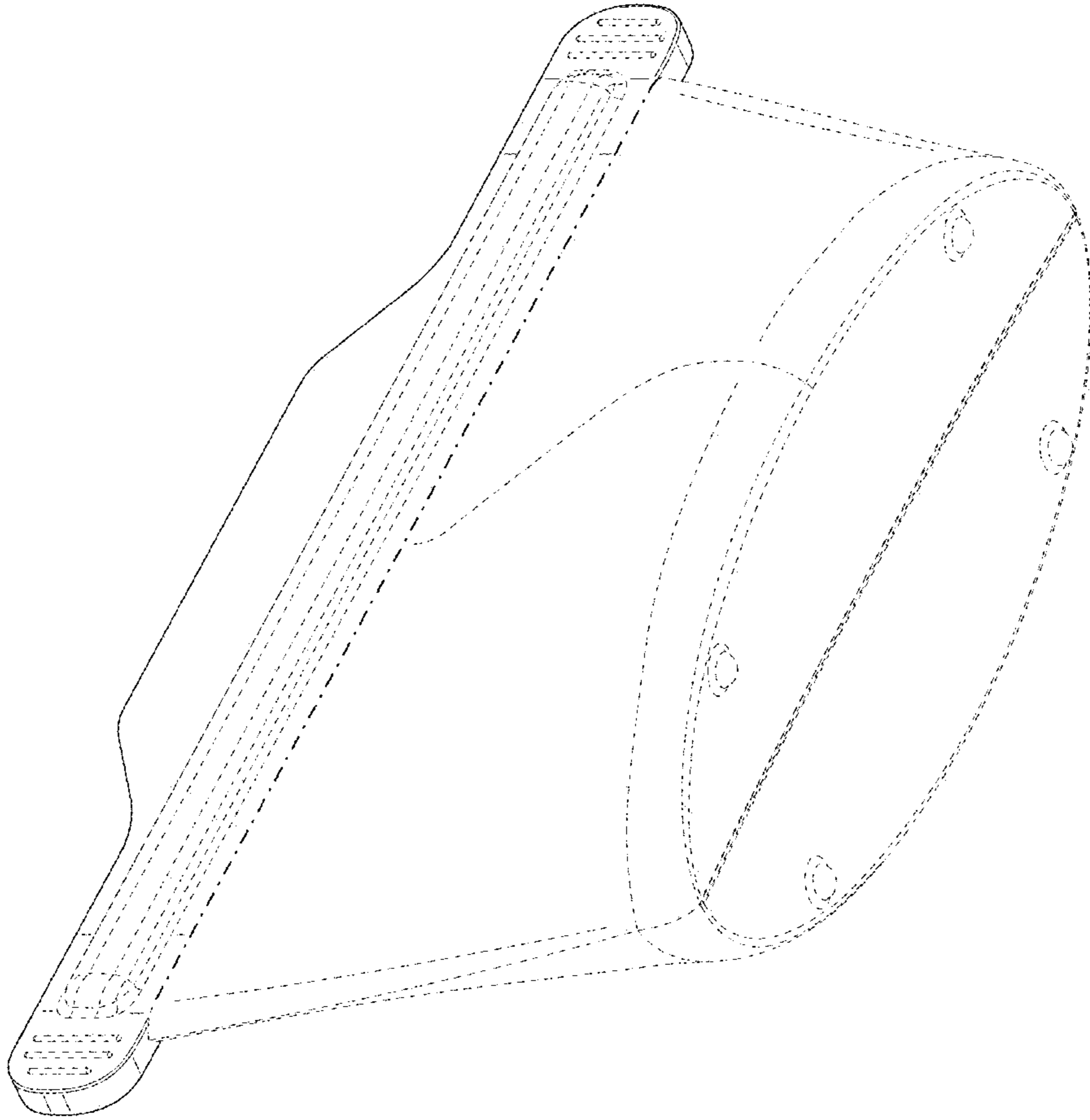


FIG. 10

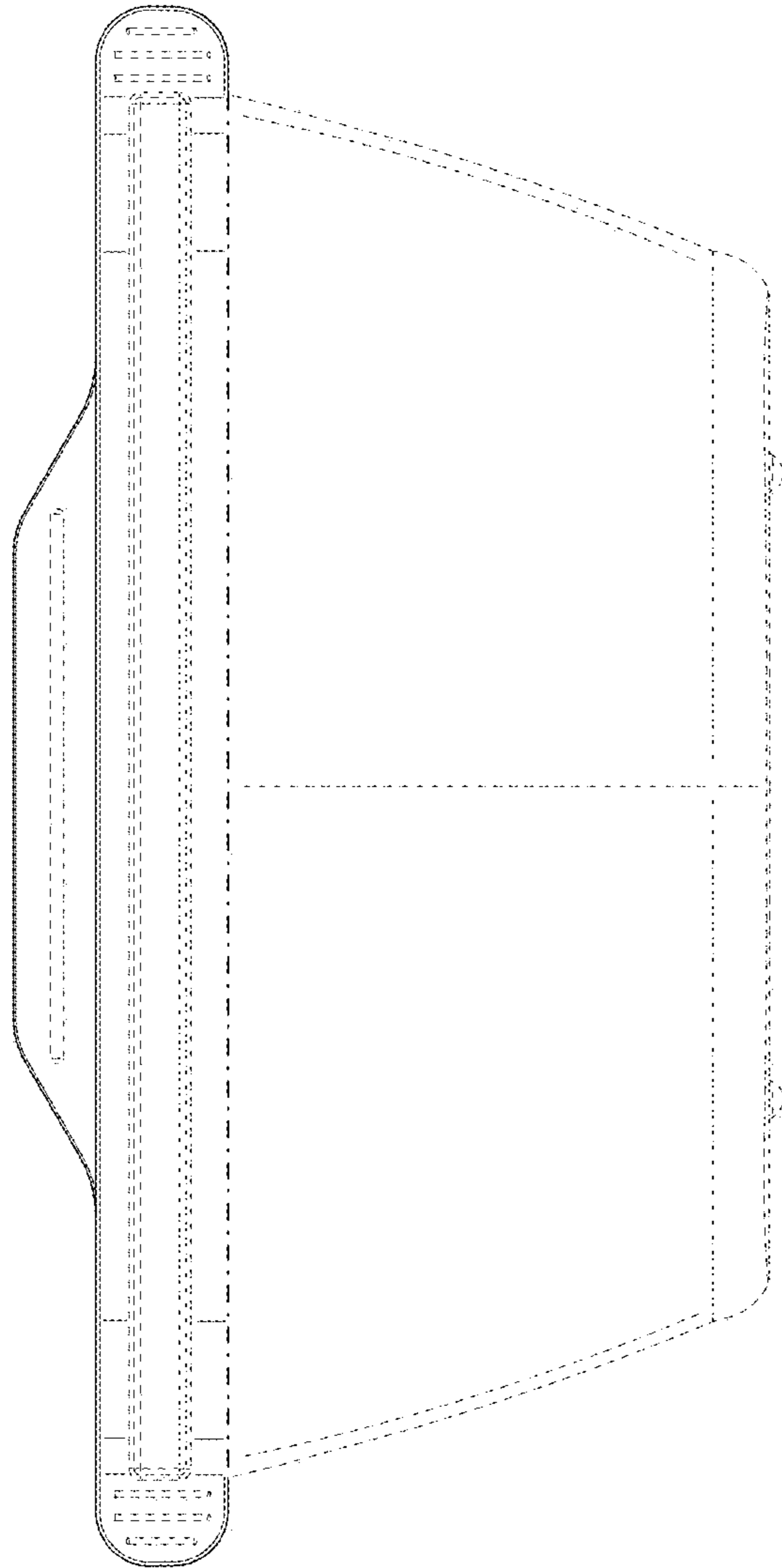


FIG. 11

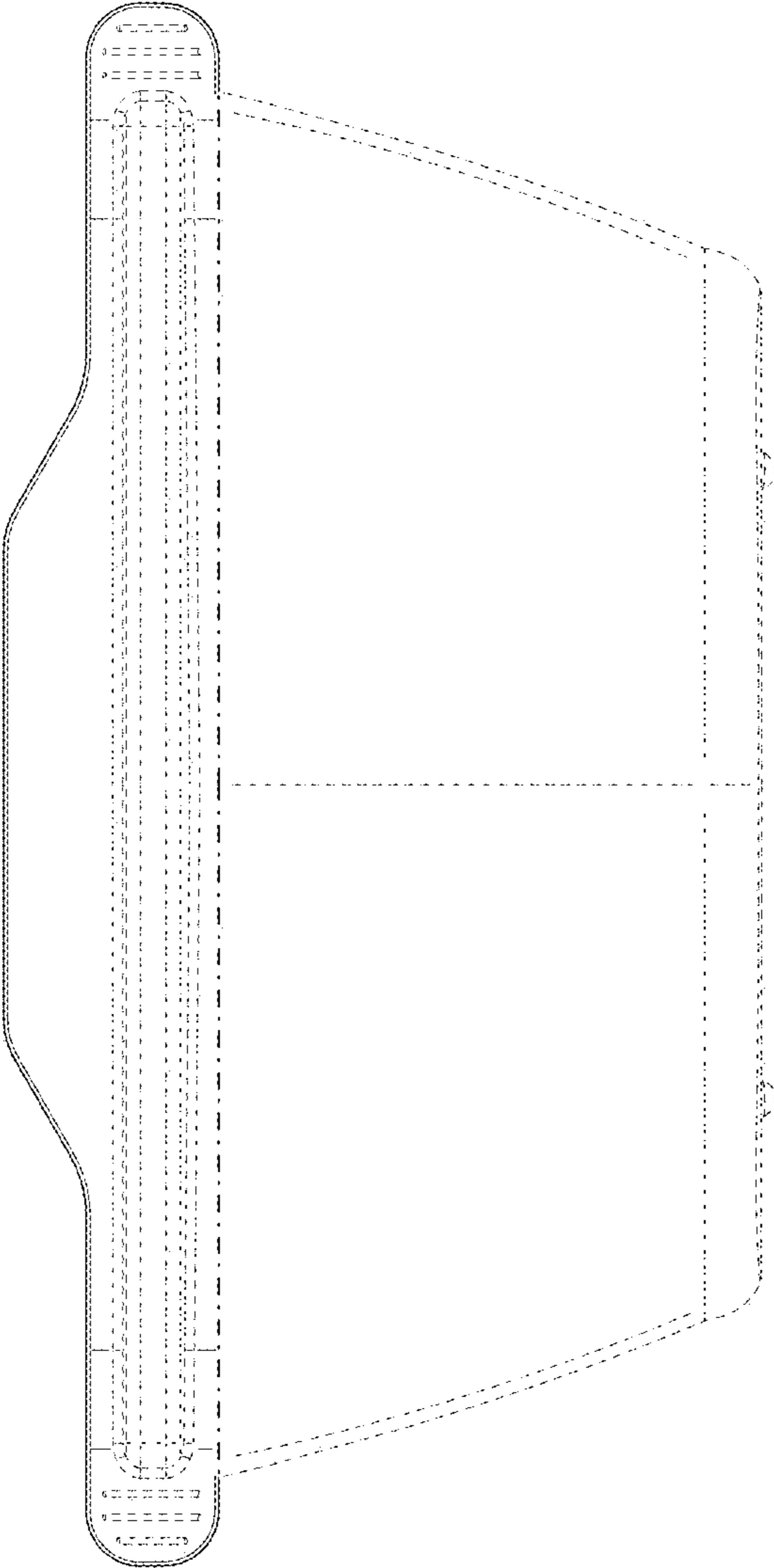


FIG. 12

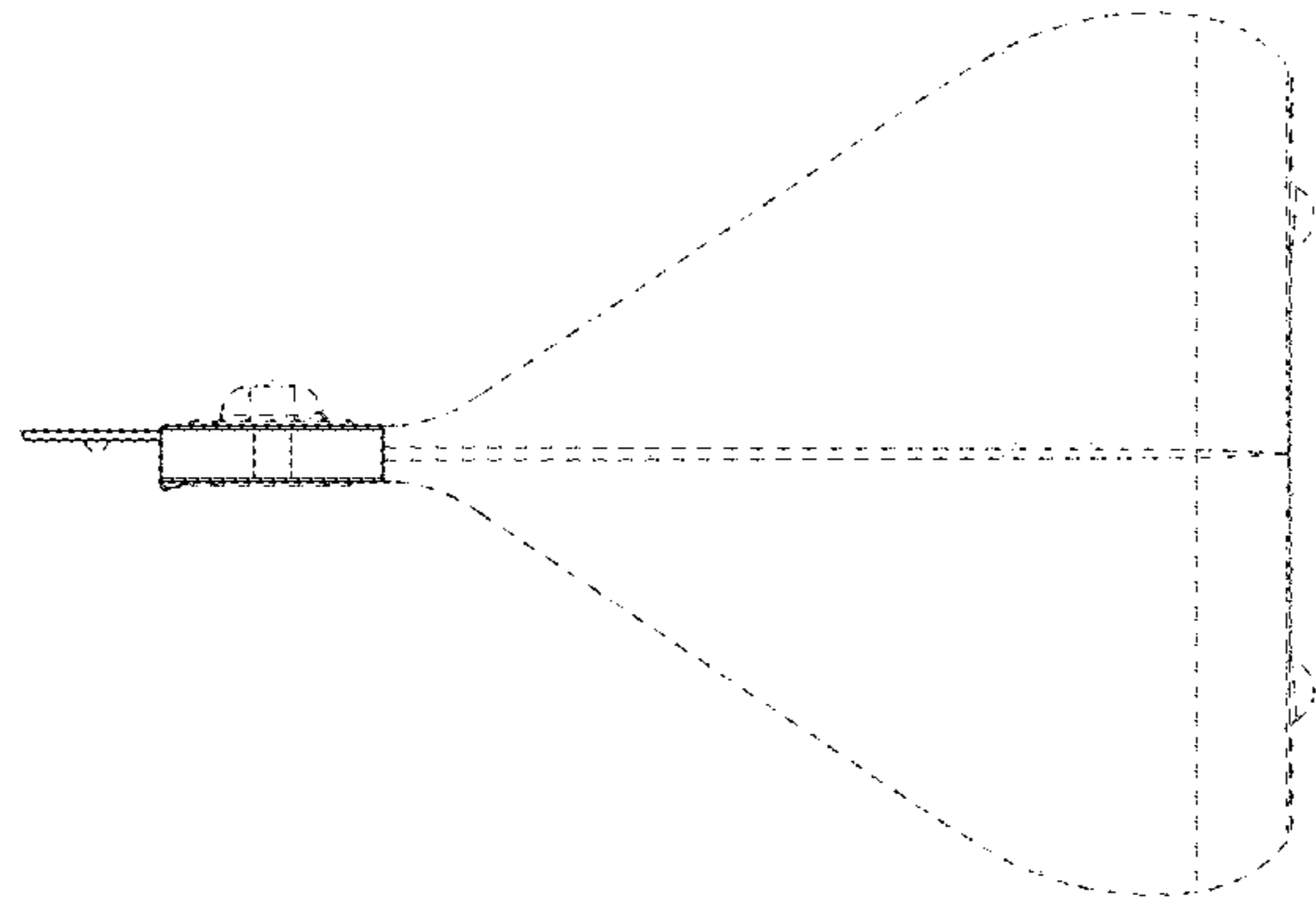


FIG. 14

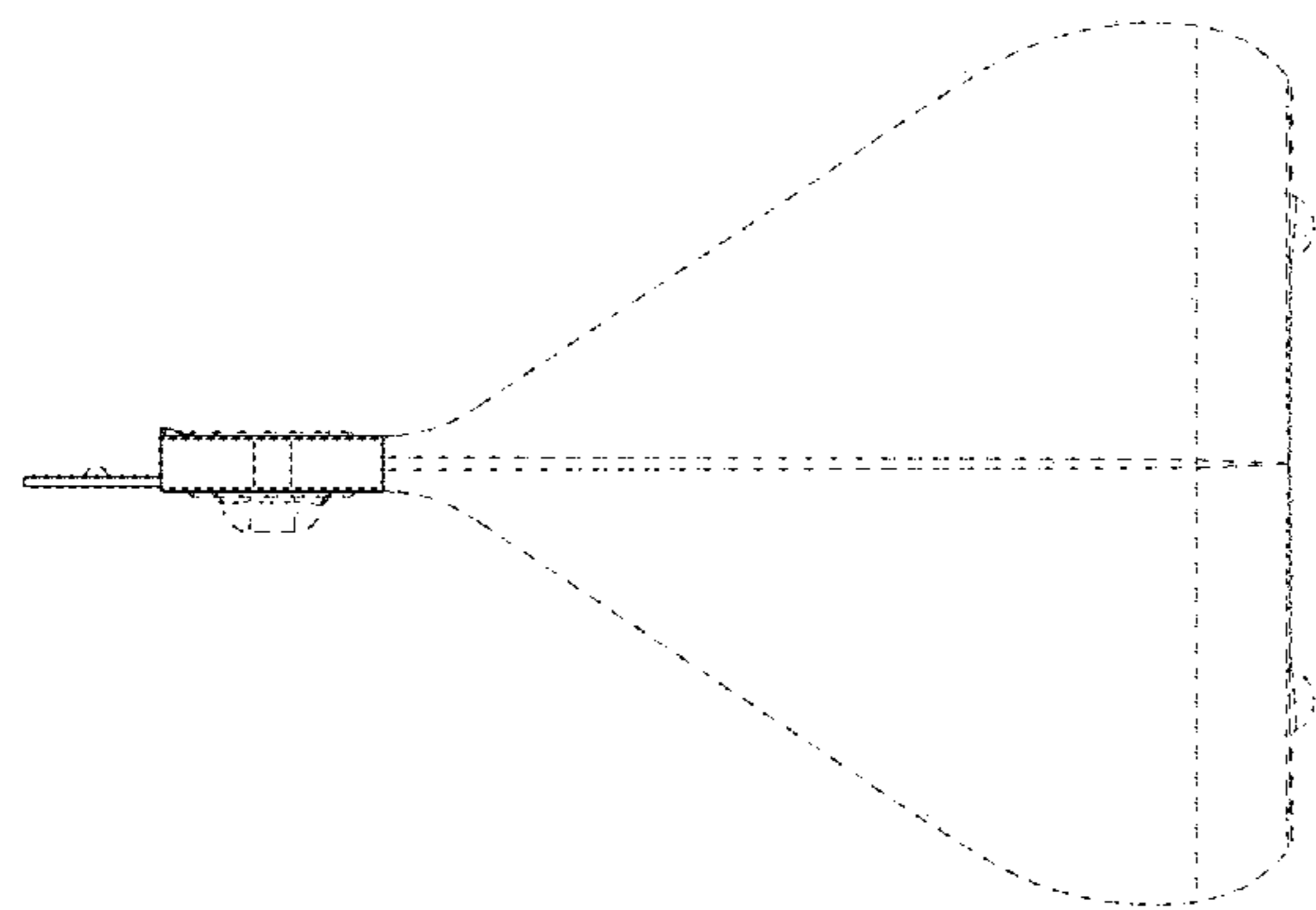


FIG. 13

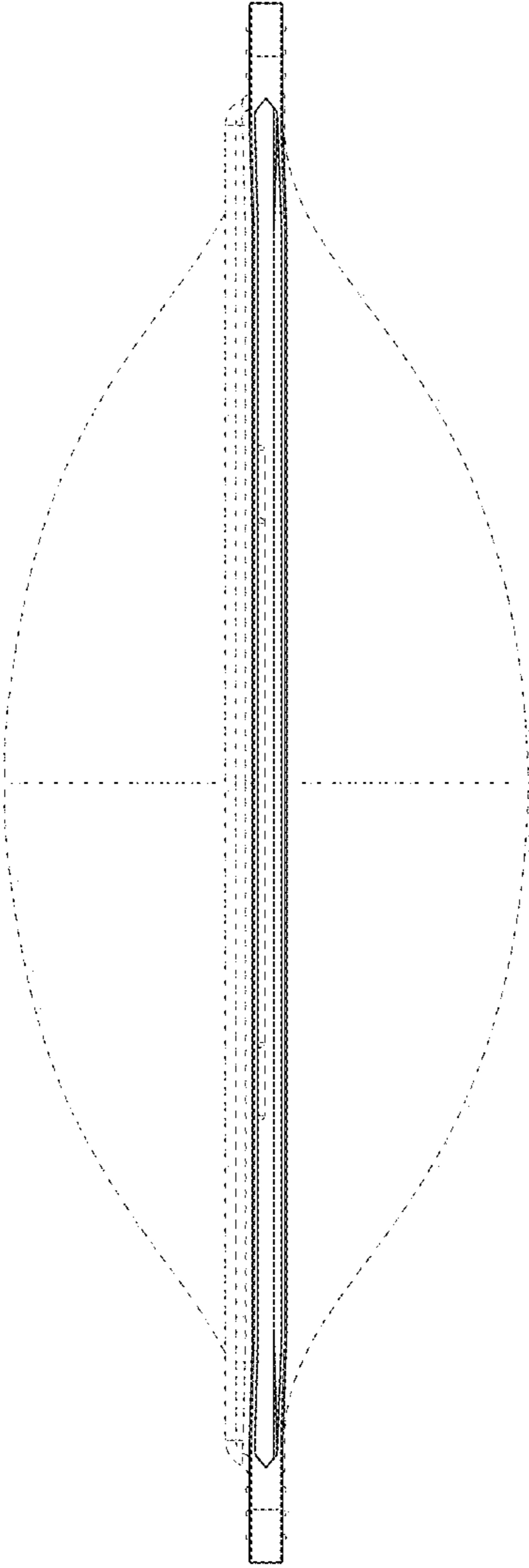


FIG. 15

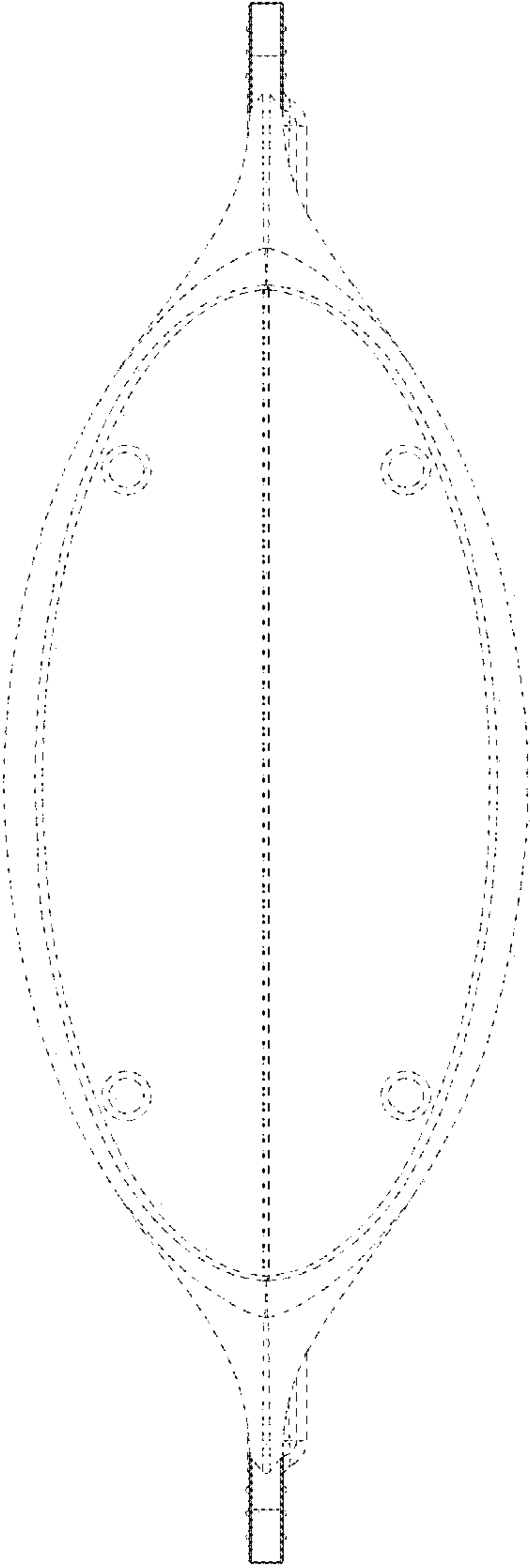


FIG. 16