



US00D976709S

(12) **United States Design Patent**
McGrath

(10) **Patent No.:** **US D976,709 S**

(45) **Date of Patent:** **** Jan. 31, 2023**

(54) **COSMETICS BOTTLE**

(71) Applicant: **Pat McGrath Cosmetics LLC**, New York, NY (US)

(72) Inventor: **Patricia McGrath**, New York, NY (US)

(73) Assignee: **Pat McGrath Cosmetics LLC**, New York, NY (US)

(**) Term: **15 Years**

(21) Appl. No.: **29/721,901**

(22) Filed: **Jan. 24, 2020**

(51) **LOC (14) Cl.** **09-01**

(52) **U.S. Cl.**

USPC **D9/694**; D9/563; D9/566; D9/572

(58) **Field of Classification Search**

USPC D9/682-694, 503, 505, 516, 517, D9/544-575, 723-729, 435, 436, 439, D9/440, 442, 443, 445, 447, 448; D28/76, 77, 91.1

CPC .. A45D 34/00; A45D 34/02; A45D 2034/005; A45D 2034/007; A45D 2200/051-057; B05B 11/00-3098; B65D 83/14; B65D 83/16; B65D 83/20; B65D 83/205; B65D 83/206; B65D 83/207; B65D 83/22; B65D 83/40; B65D 83/38

See application file for complete search history.

(56) **References Cited**

U.S. PATENT DOCUMENTS

D24,579 S *	8/1895	Lowrey	D9/544
D24,581 S *	8/1895	Lowrey	D9/544
D92,842 S *	7/1934	Gest	D9/520
D98,899 S *	3/1936	Werts	D9/566
D143,657 S *	1/1946	Graham	D9/544
D156,710 S *	1/1950	Du Pree, Jr.	D9/563
D260,610 S *	9/1981	Grip	D9/571
D274,697 S *	7/1984	Venne	D9/453

D321,829 S *	11/1991	Iazzetta	D9/573
D339,285 S *	9/1993	Burke	D9/435
D340,185 S *	10/1993	Martone	D9/449

(Continued)

FOREIGN PATENT DOCUMENTS

CN	3384570	*	8/2004
CN	3432389	*	3/2005

(Continued)

OTHER PUBLICATIONS

Design U.S. Appl. No. 29/683,822, filed Mar. 19, 2020, Applicant: Pat McGrath Cosmetics LLC; Inventor Patricia McGrath.

Primary Examiner — Catherine A Tuttle

(74) *Attorney, Agent, or Firm* — Ziegler IP Law Group, LLC

(57) **CLAIM**

The ornamental design for a cosmetics bottle, as shown and described.

DESCRIPTION

This application is related to U.S. Design patent application Ser. No. 29/683,822 filed on Mar. 15, 2019 entitled "Cosmetics Bottle." The inventor of the instant application is the inventor of U.S. Ser. No. 29/683,822.

FIG. 1 is a perspective view of a cosmetics bottle showing my new design;

FIG. 2 is a perspective view the cosmetics bottle of FIG. 1 with the cap portion removed;

FIG. 3 is a front view of the cosmetics bottle as shown in FIG. 1;

FIG. 4 is a back view thereof;

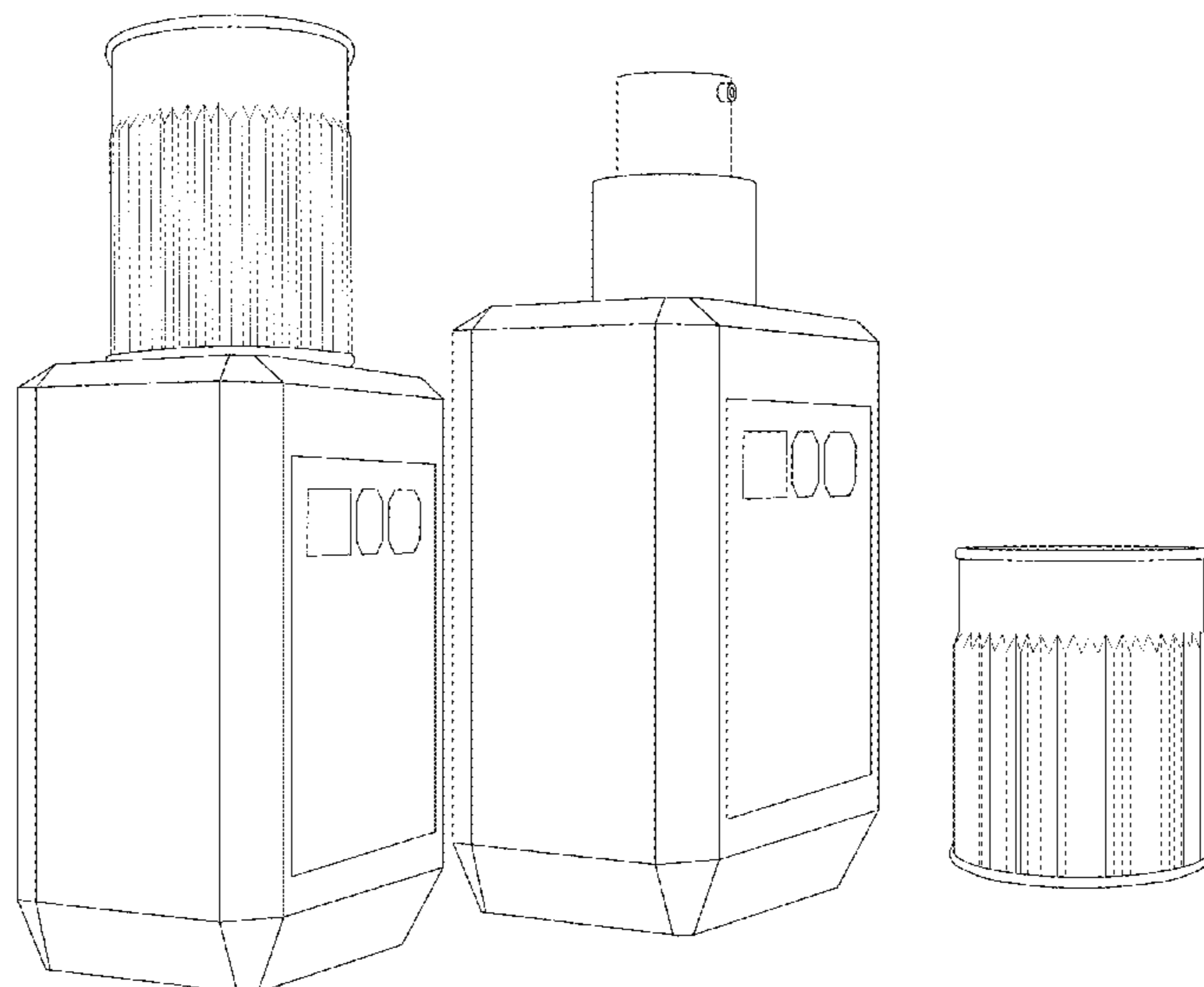
FIG. 5 is a side view thereof;

FIG. 6 is the opposing side view thereof;

FIG. 7 is a top view thereof; and,

FIG. 8 is a bottom view thereof.

1 Claim, 8 Drawing Sheets



(56)

References Cited

U.S. PATENT DOCUMENTS

D363,375	S	*	10/1995	Arntsen	D28/77
D392,897	S	*	3/1998	Biesecker	D9/571
D428,577	S	*	7/2000	Shanahan	D9/544
D453,109	S	*	1/2002	Piquet	D9/451
D564,898	S	*	3/2008	McGuinness	D9/560
D584,639	S	*	1/2009	Antretter	D9/687
D591,169	S	*	4/2009	Otsuka	D9/724
D602,787	S	*	10/2009	Gaultier	D9/572
D680,004	S	*	4/2013	Lecetre	D9/573
D684,865	S	*	6/2013	Petronio	D9/566
D739,762	S	*	9/2015	Nagata	D9/572
D740,127	S	*	10/2015	Chertoff	D9/559
D857,516	S	*	8/2019	Lutens	D9/682
D904,898	S	*	12/2020	Austin	D9/705
D920,800	S	*	6/2021	McGrath	D9/563

FOREIGN PATENT DOCUMENTS

CN	300689046	*	9/2007
CN	302627899	*	11/2013
EM	001824319-0001	*	2/2011
EM	006309415-0001	*	3/2019
EM	006309415-0003	*	3/2019
EM	006309415-0004	*	3/2019
EM	006648135-0001	*	8/2019
EM	006648135-0002	*	8/2019
KR	300436411.0000	*	1/2007

* cited by examiner

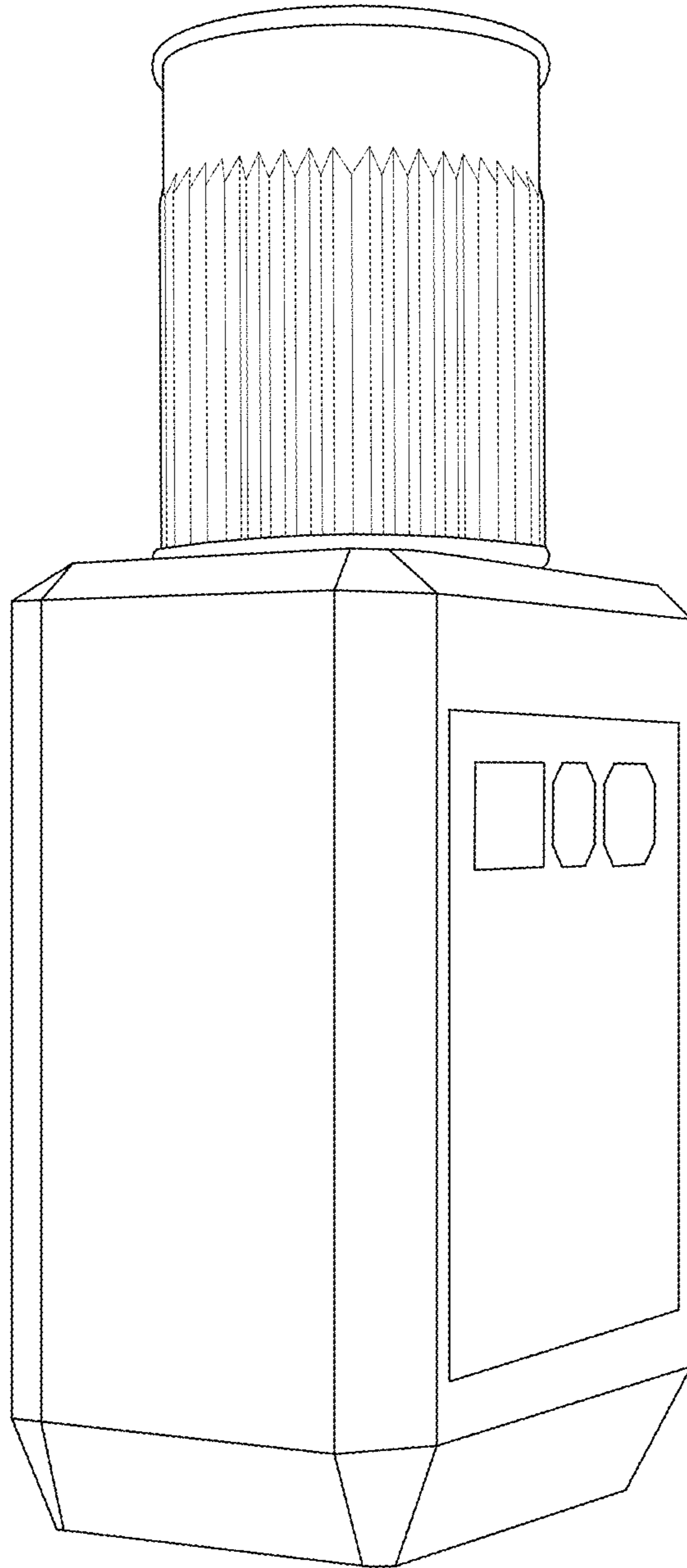


FIG. 1

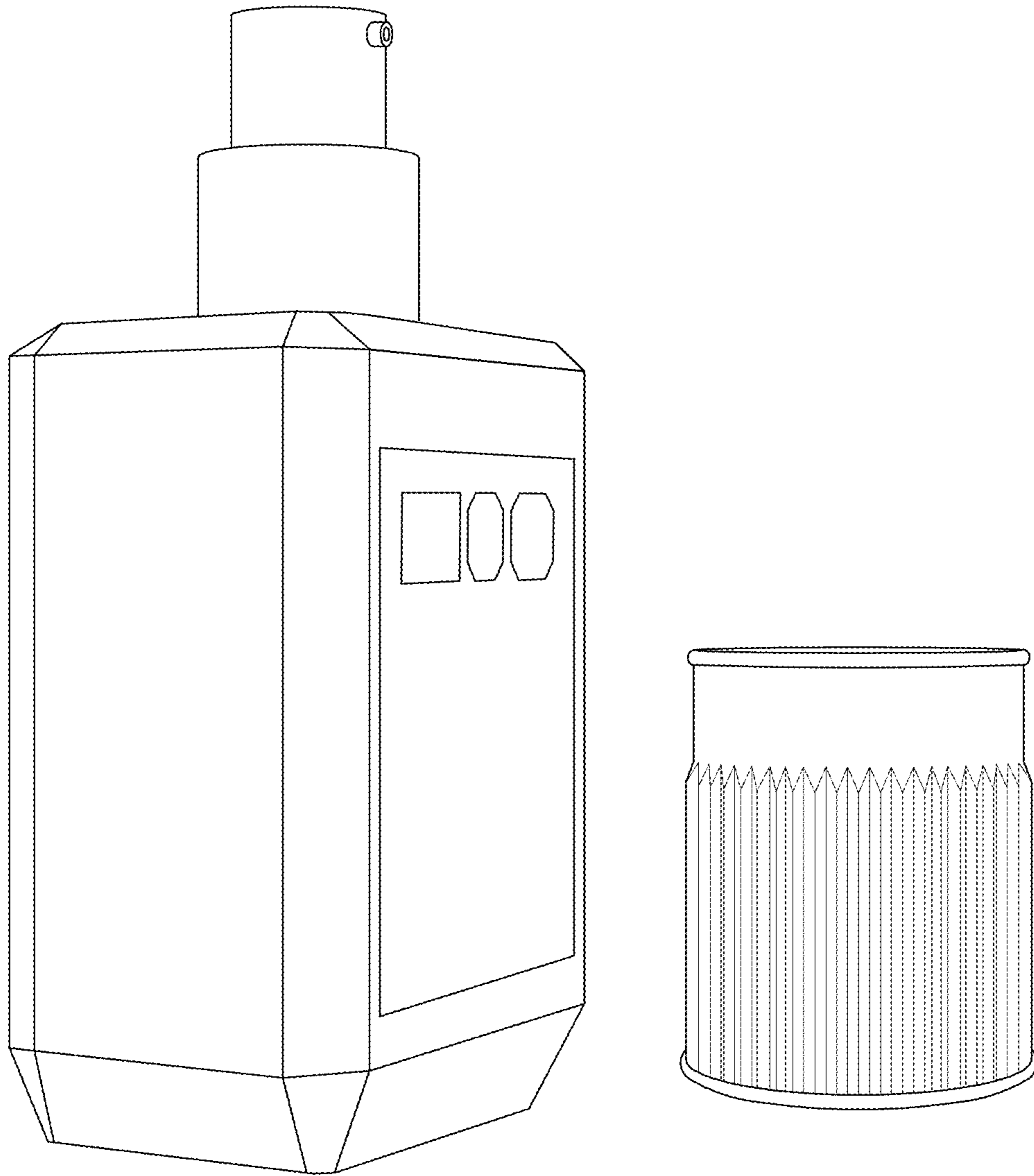


FIG. 2

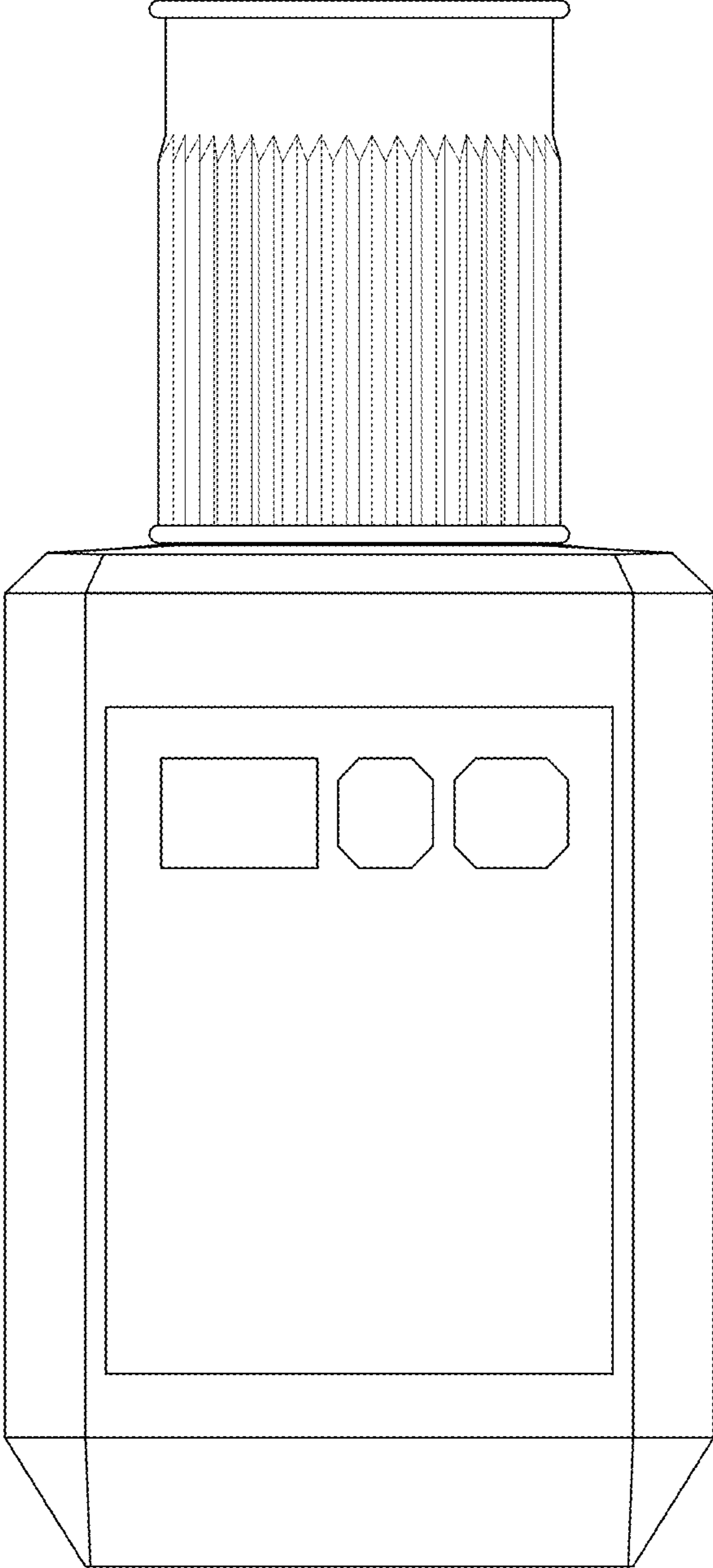


FIG. 3

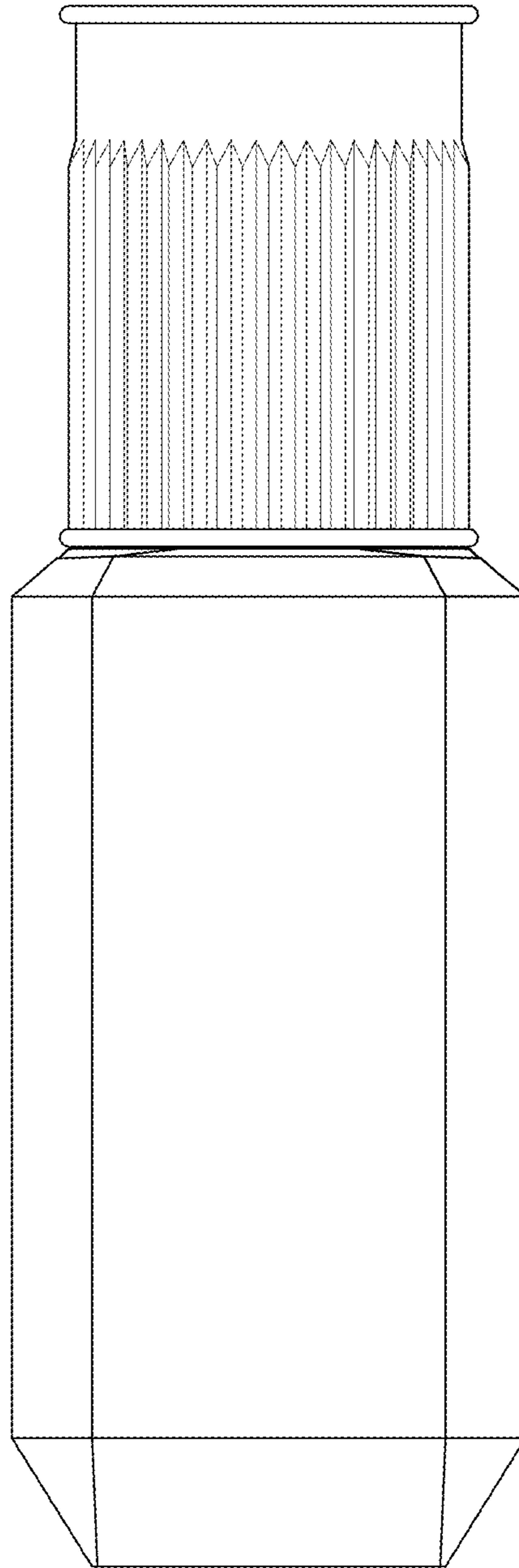


FIG. 4

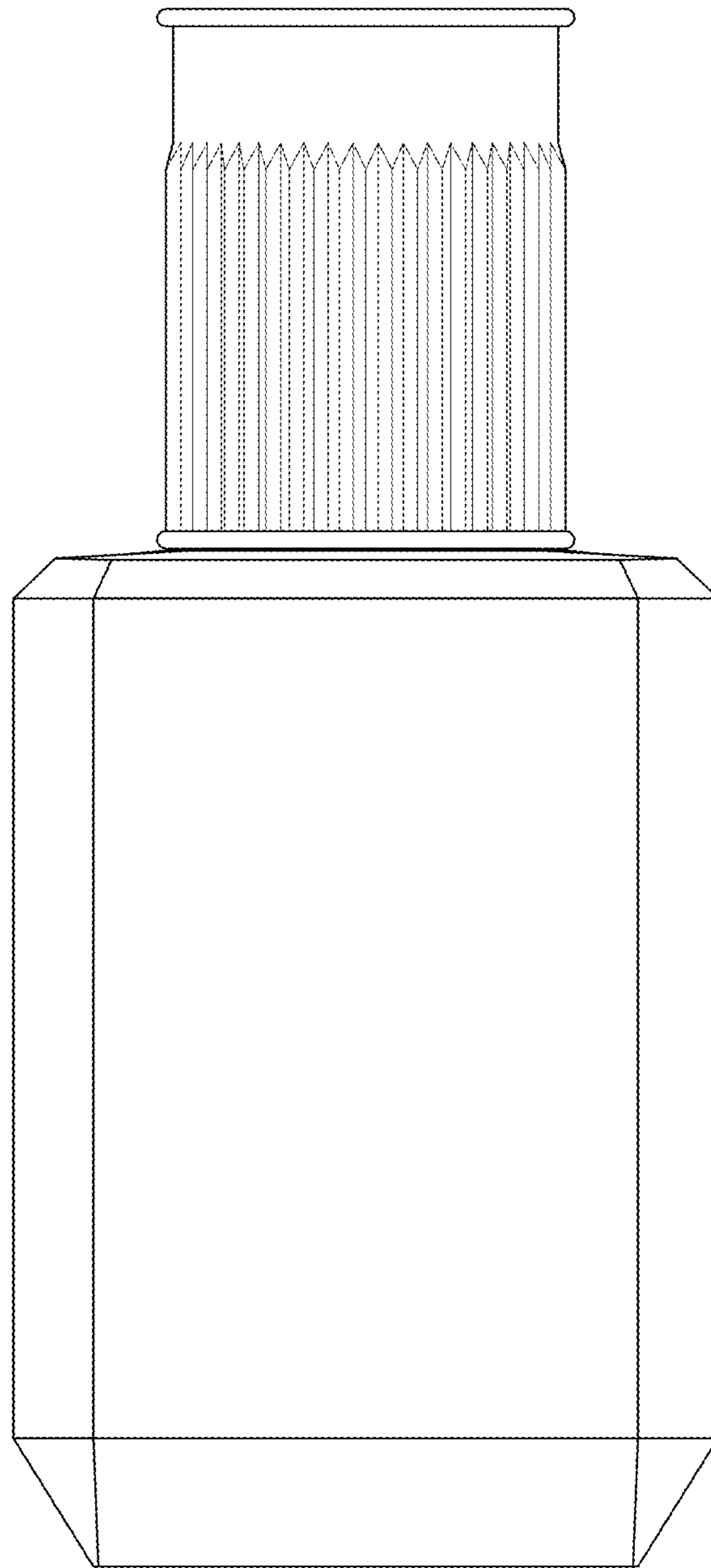


FIG. 5

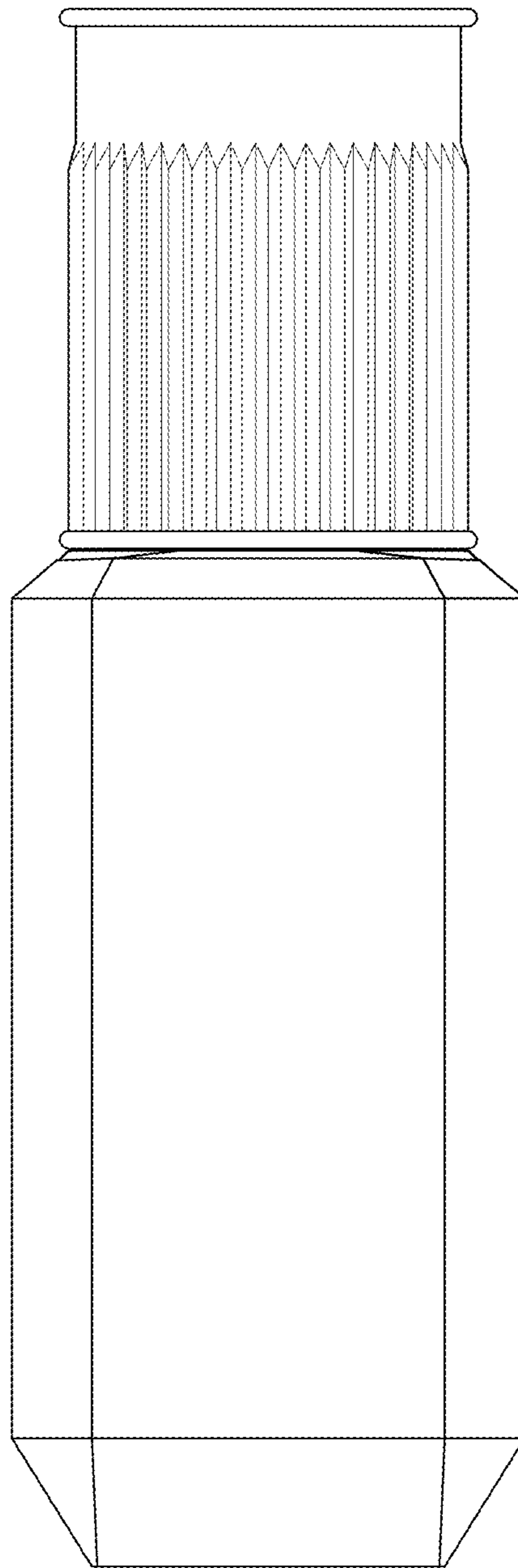


FIG. 6

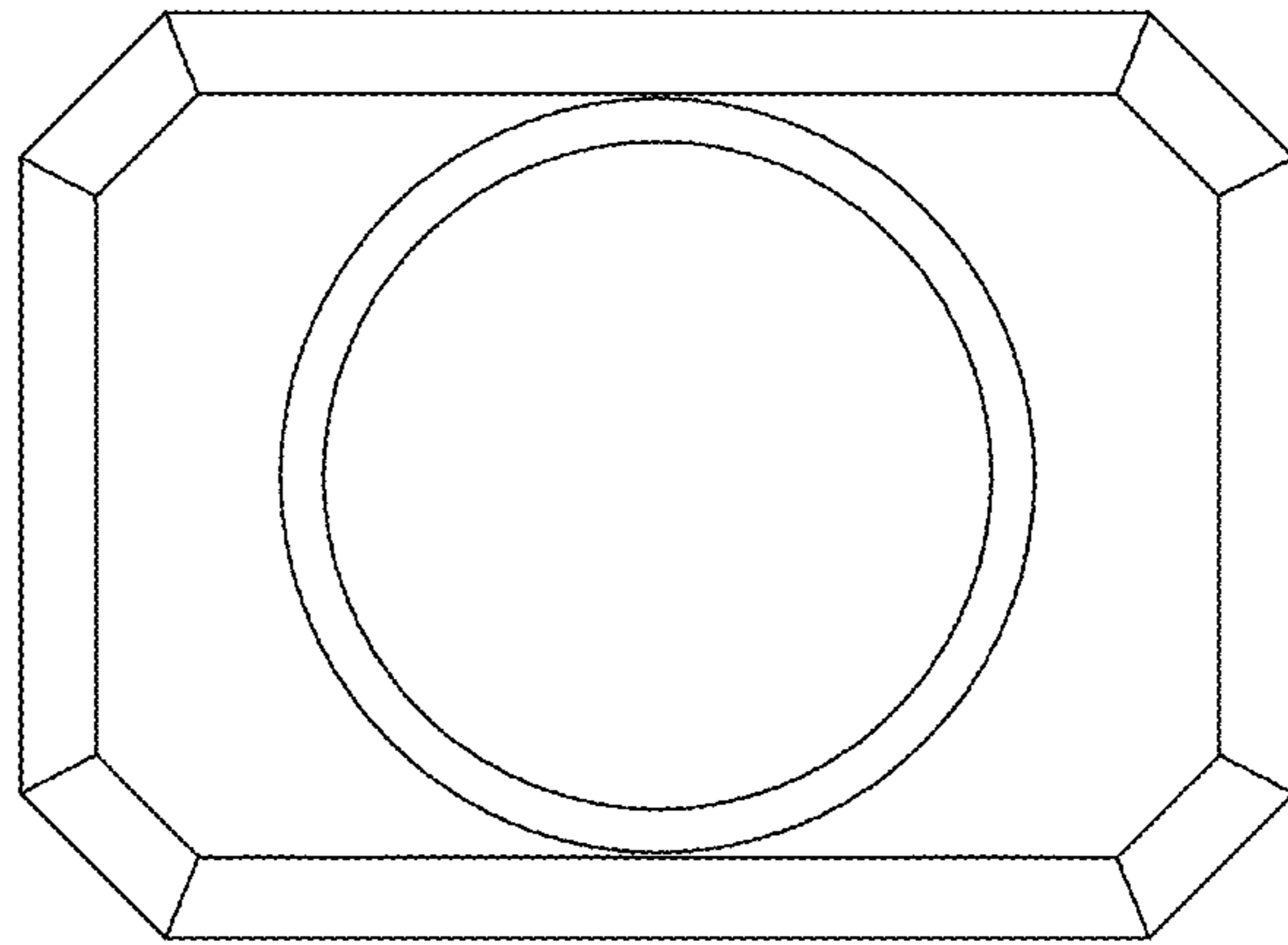


FIG. 7

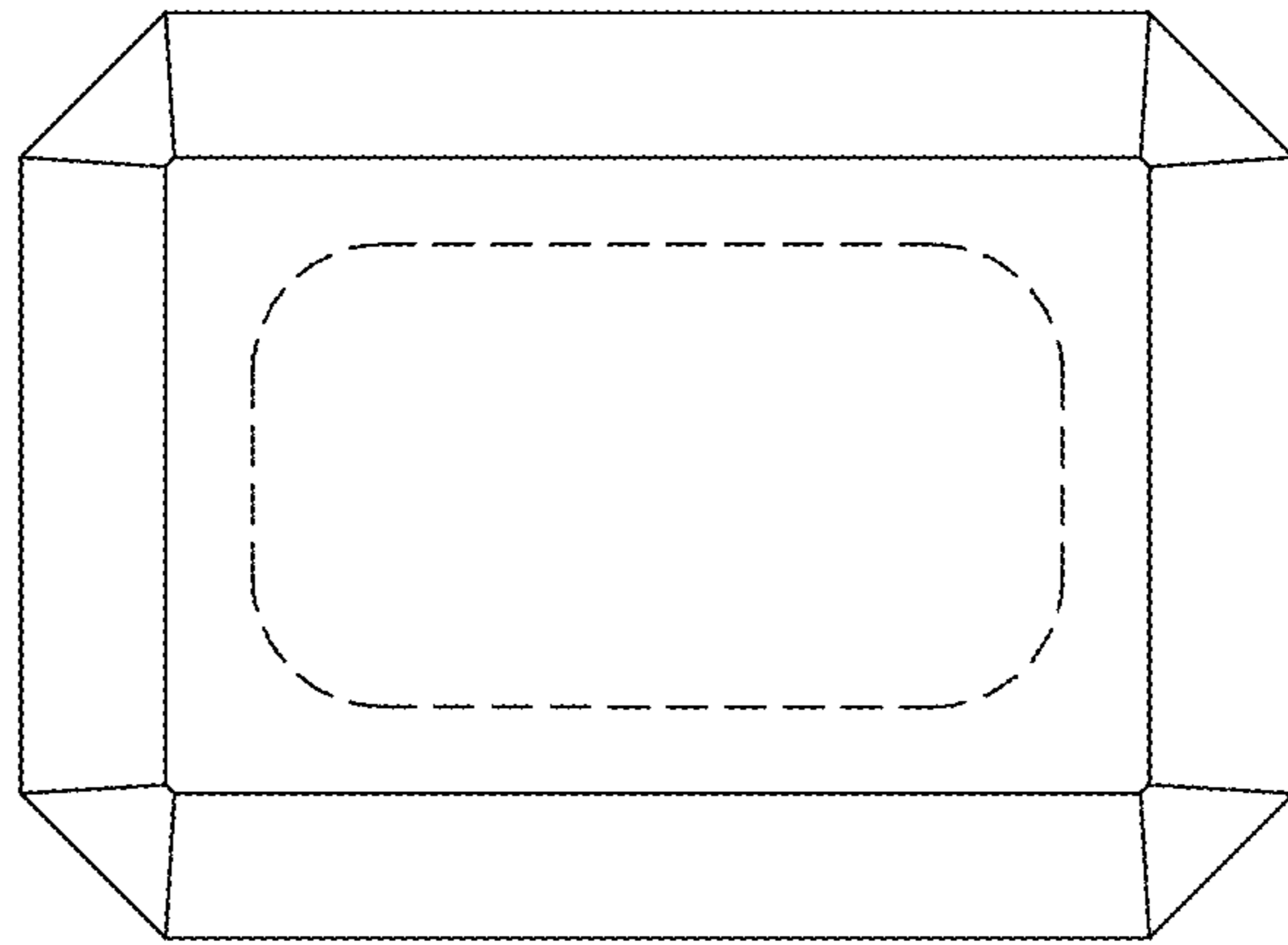


FIG. 8