

US00D976708S

(12) **United States Design Patent**  
**Terry et al.**

(10) **Patent No.:** **US D976,708 S**  
(45) **Date of Patent:** **\*\* Jan. 31, 2023**

- (54) **CONTAINER**
- (71) Applicant: **Ring Container Technologies, LLC**
- (72) Inventors: **Trevell A. Terry**, Southaven, MS (US);  
**Paul Vincent Kelley**, Arlington, TN (US);  
**Daniel Powers**, Mukwonago, WI (US);  
**Carlos Mitchell**, Picayune, MS (US)
- (73) Assignee: **RING CONTAINER TECHNOLOGIES, LLC**, Oakland, TN (US)

D889,268	S	*	7/2020	Gooden	.....	D9/530
D894,744	S	*	9/2020	Shmueli	.....	D9/528
D895,426	S	*	9/2020	Shmueli	.....	D9/528
D896,087	S	*	9/2020	Kurri	.....	D9/527
D902,726	S	*	11/2020	Meza	.....	D9/575
D914,505	S	*	3/2021	Cantú	.....	D9/527
D915,210	S	*	4/2021	Hegarty	.....	D9/527
D918,045	S	*	5/2021	Yourist	.....	D9/523
D919,436	S	*	5/2021	Currie	.....	D9/569
D923,478	S	*	6/2021	Sestak	.....	D9/527
D927,308	S	*	8/2021	Aubin	.....	D9/527
D933,482	S	*	10/2021	Yourist, Jr.	.....	D9/523
D935,322	S	*	11/2021	Darbyshire	.....	D9/527
D961,185	S	*	8/2022	Bongiorno	.....	D9/527
D967,710	S	*	10/2022	Smarrelli, Jr.	.....	D9/531
2012/0267381	A1	*	10/2012	Trude	.....	B29C 49/54 220/675

(\*\*) Term: **15 Years**

- (21) Appl. No.: **29/803,753**
- (22) Filed: **Aug. 16, 2021**
- (51) **LOC (14) Cl.** ..... **09-01**
- (52) **U.S. Cl.**  
USPC ..... **D9/528; D9/516**
- (58) **Field of Classification Search**  
USPC ..... D9/527, 523, 569, 575, 528, 530, 524,  
D9/531  
CPC ..... B65D 1/0223; B65D 21/0219; B65D  
21/0202; B29C 49/54  
See application file for complete search history.

\* cited by examiner

*Primary Examiner* — Rhea Shields  
(74) *Attorney, Agent, or Firm* — Sorell, Lenna & Schmidt, LLP

(57) **CLAIM**

The ornamental design for a container, as shown and described.

**DESCRIPTION**

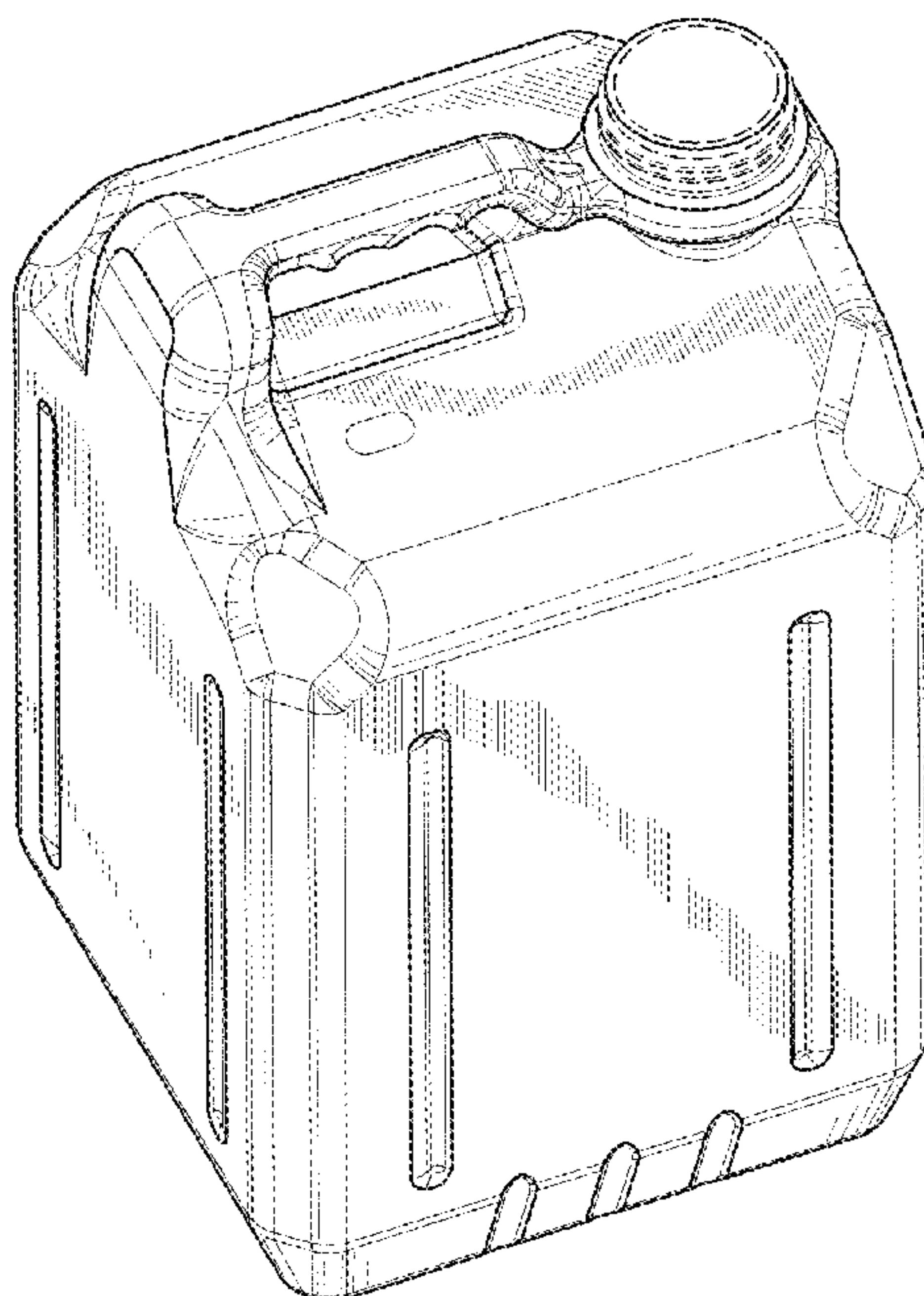
FIG. 1 is a perspective view of a container;  
FIG. 2 is a side view of the container;  
FIG. 3 is a front view of the container;  
FIG. 4 is a side view of the container;  
FIG. 5 is a rear view of the container;  
FIG. 6 is a top view of the container; and,  
FIG. 7 is a bottom view of the container.  
In the drawings, the broken lines are for the purpose of illustrating portions of the container that form no part of the claimed design.

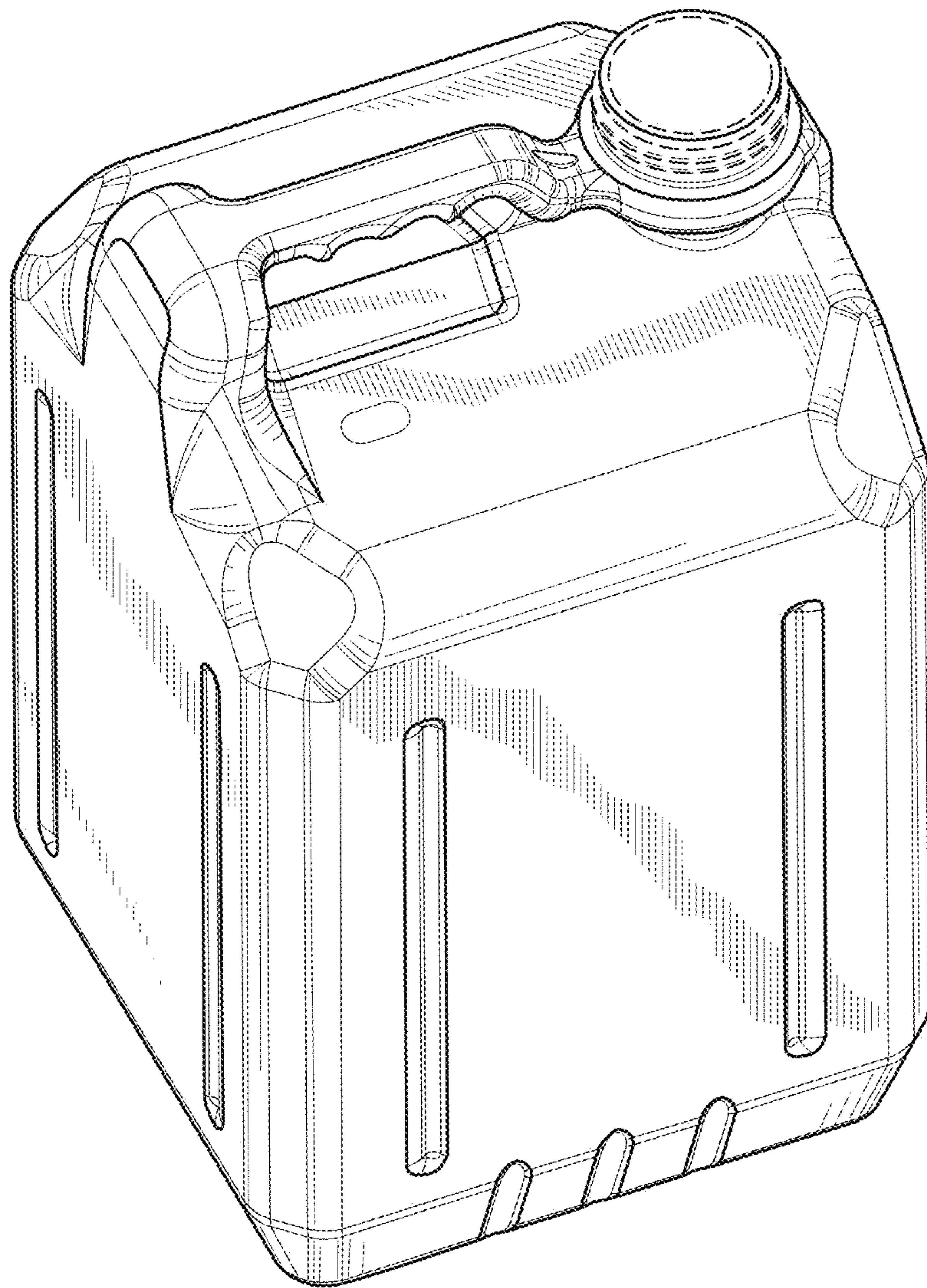
(56) **References Cited**

U.S. PATENT DOCUMENTS

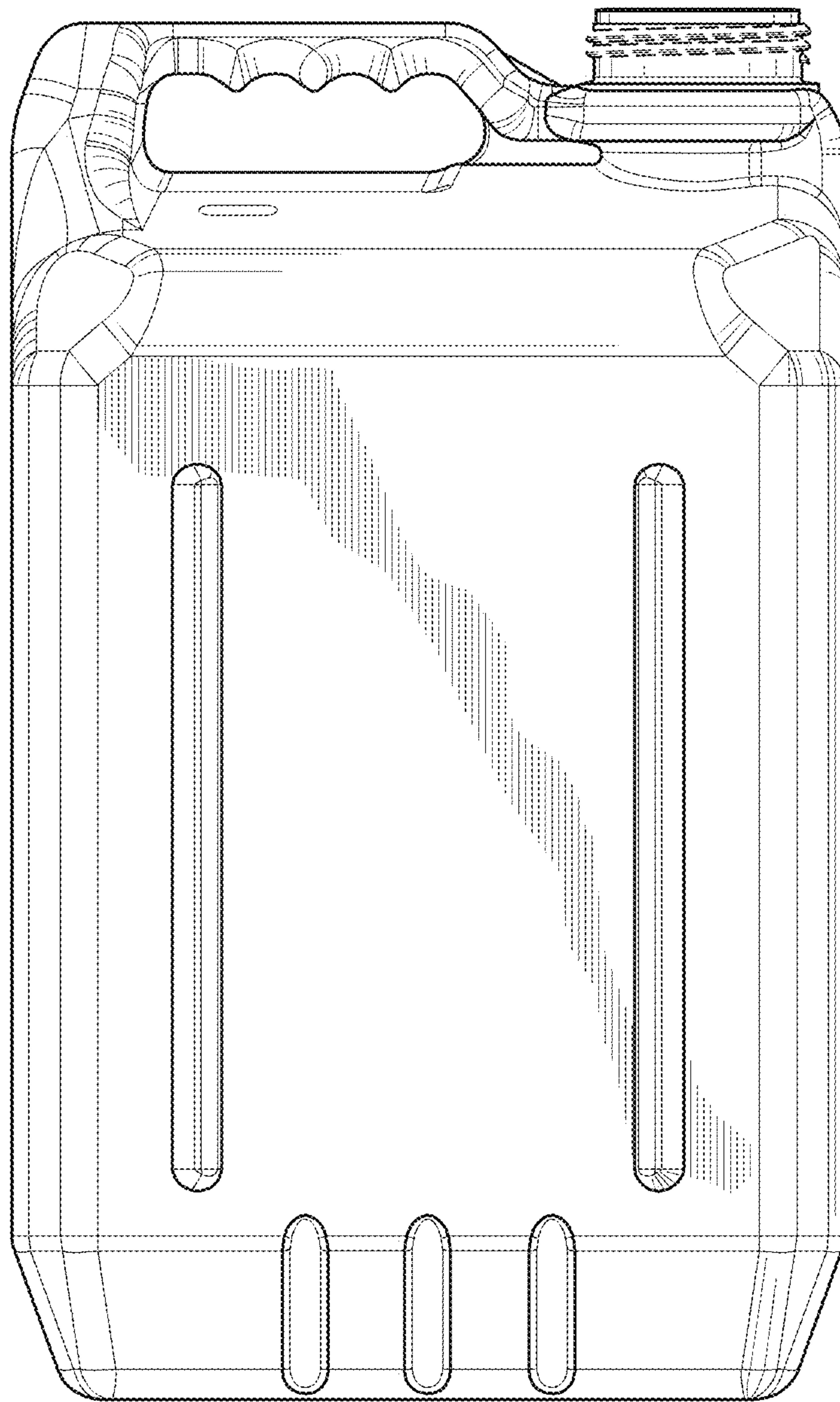
6,527,133	B1	*	3/2003	McCollum	.....	B65D 1/0223 220/660
8,746,453	B1	*	6/2014	Hall	.....	B65D 21/0202 215/385
D867,889	S	*	11/2019	Baumann	.....	D9/575
10,486,847	B1	*	11/2019	Soehnen	.....	B65D 21/0219
D887,275	S	*	6/2020	Bertram	.....	D9/524

**1 Claim, 7 Drawing Sheets**



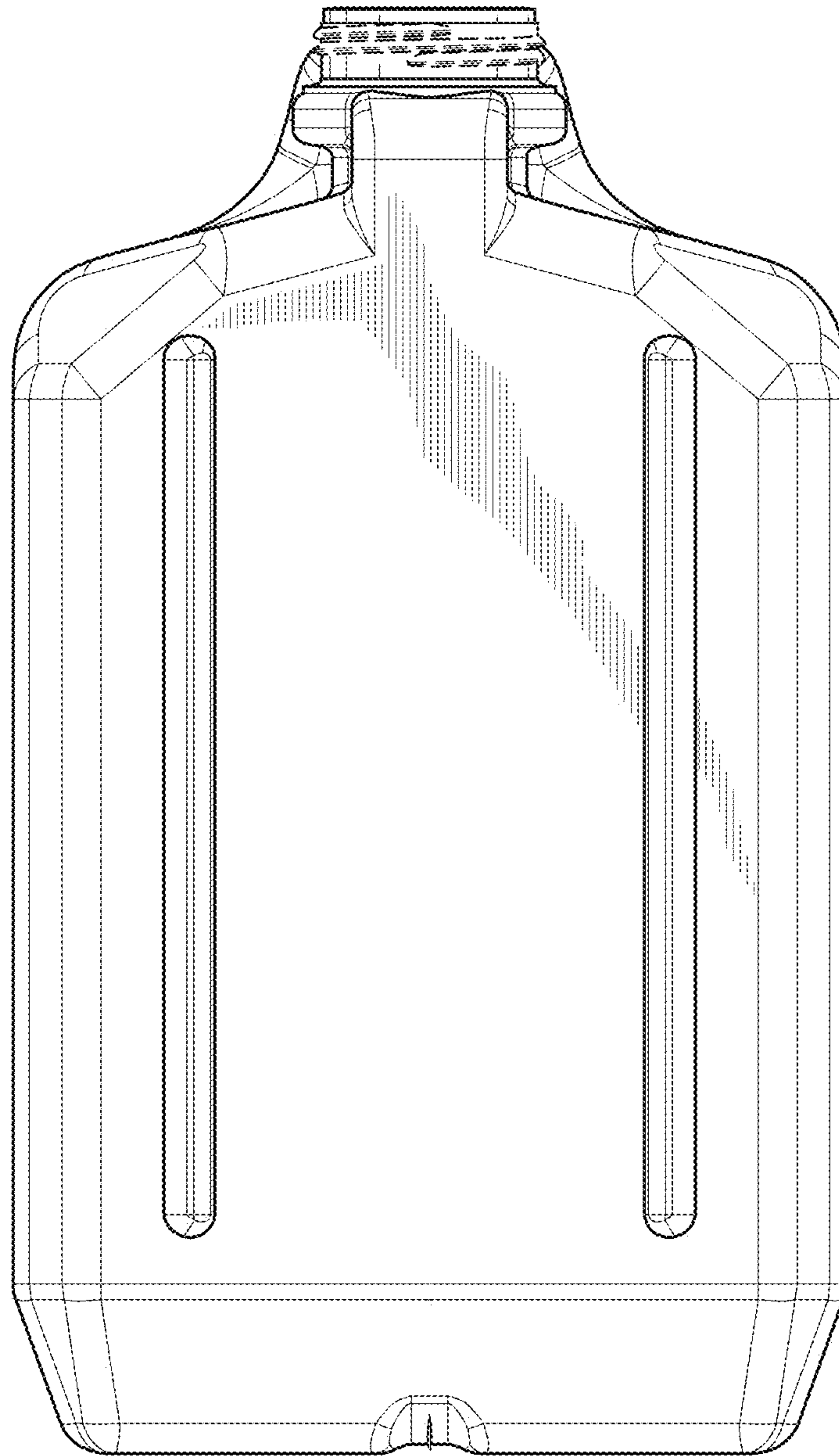


**FIG. 1**

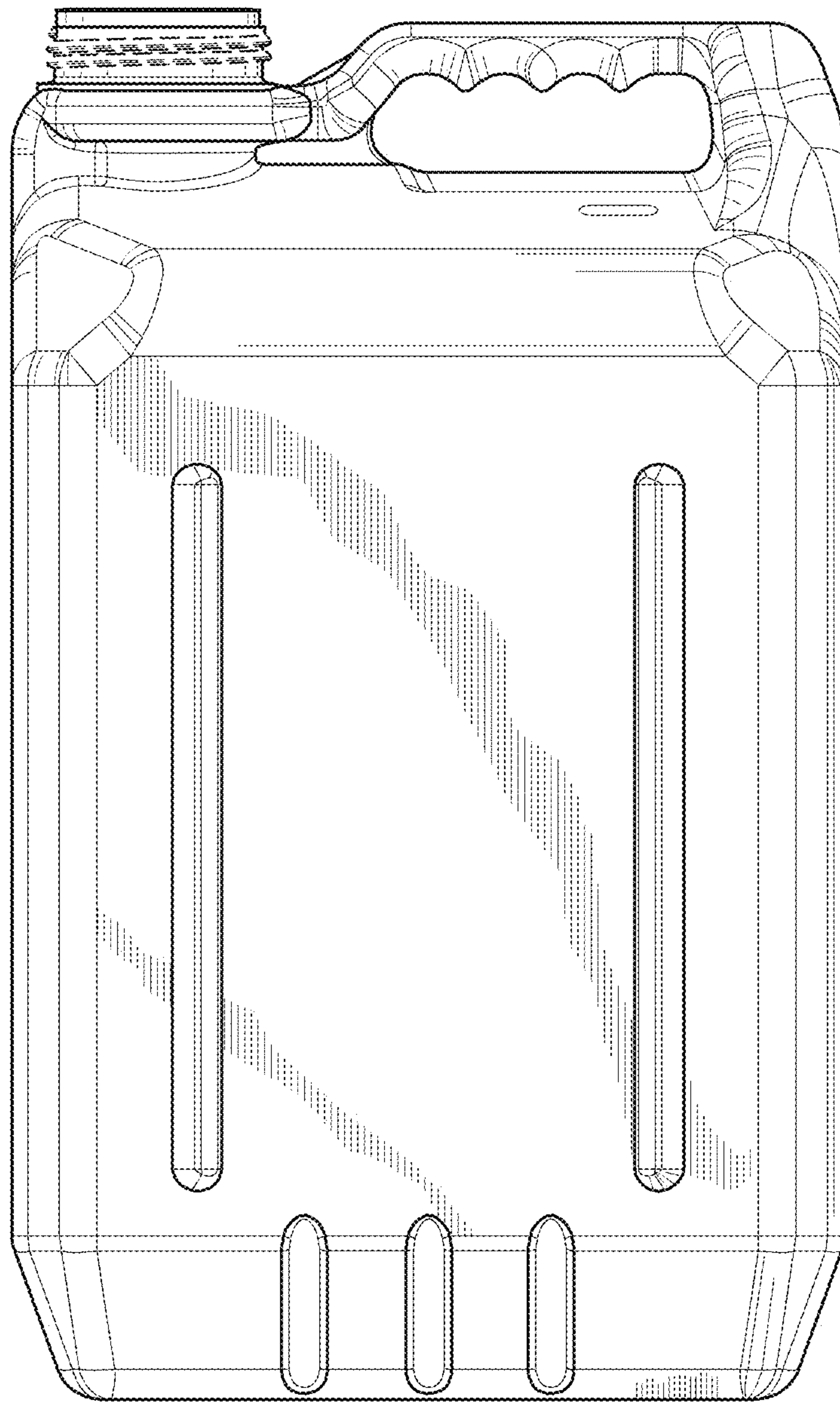


**FIG. 2**

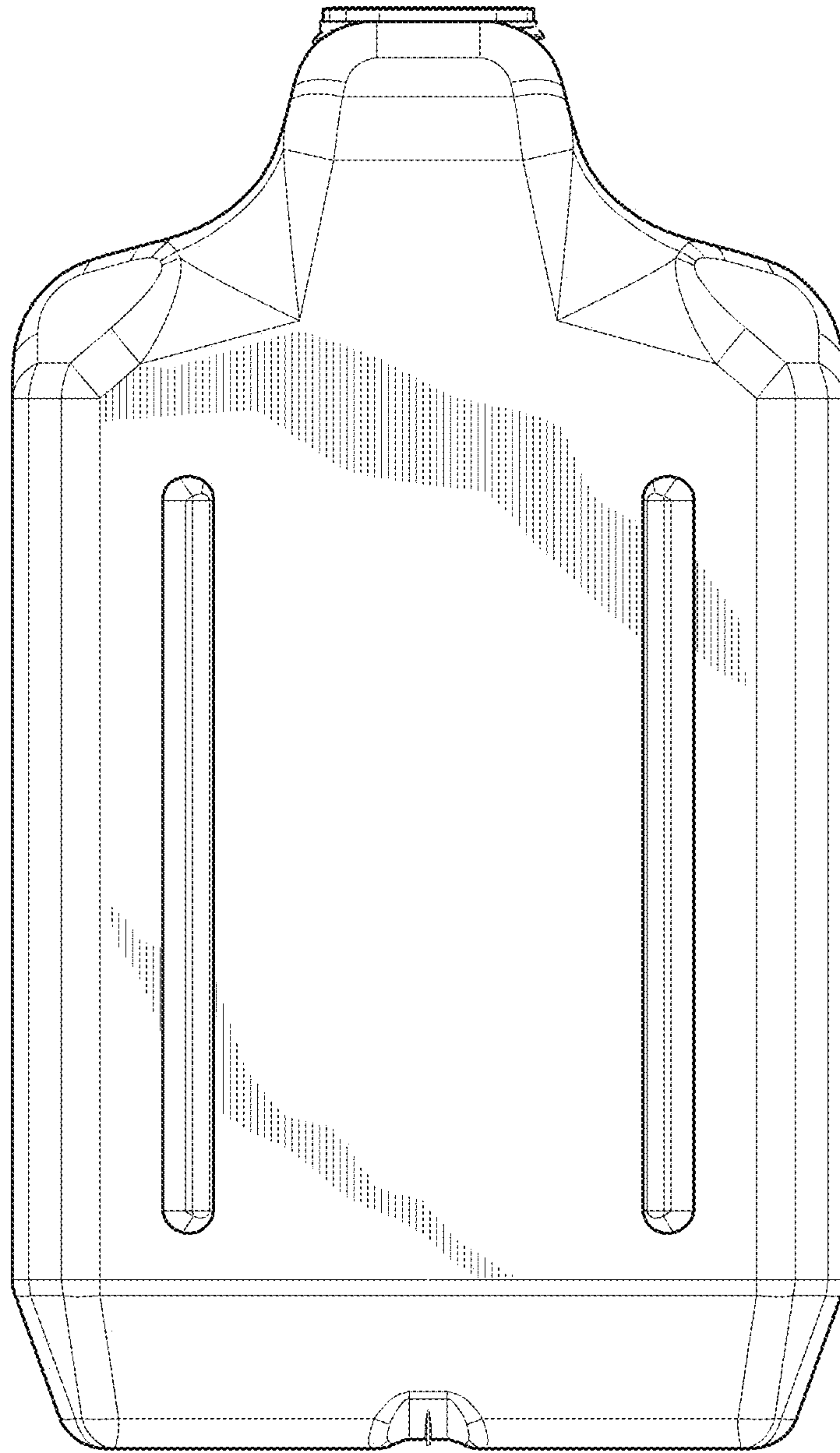




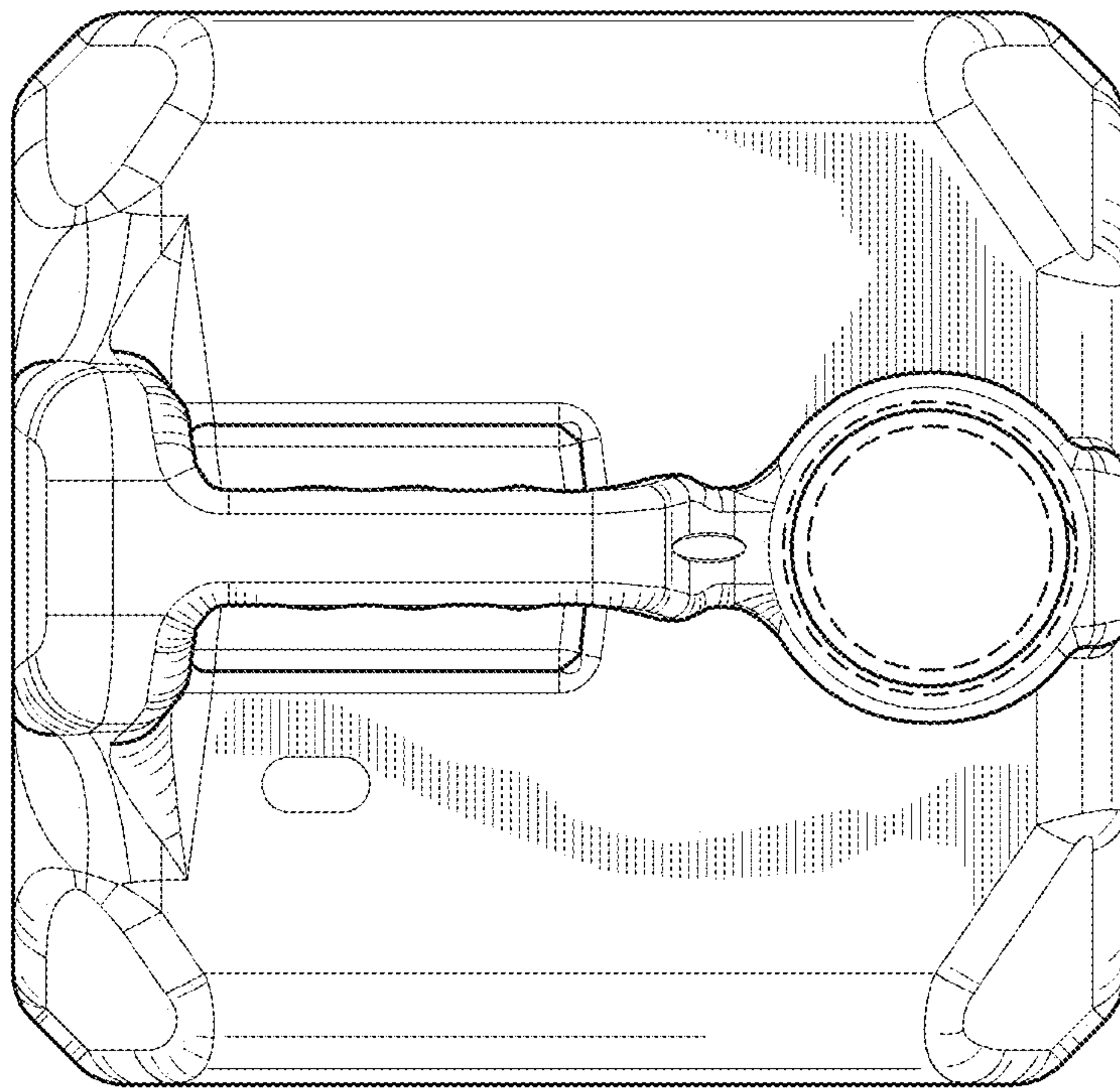
**FIG. 3**



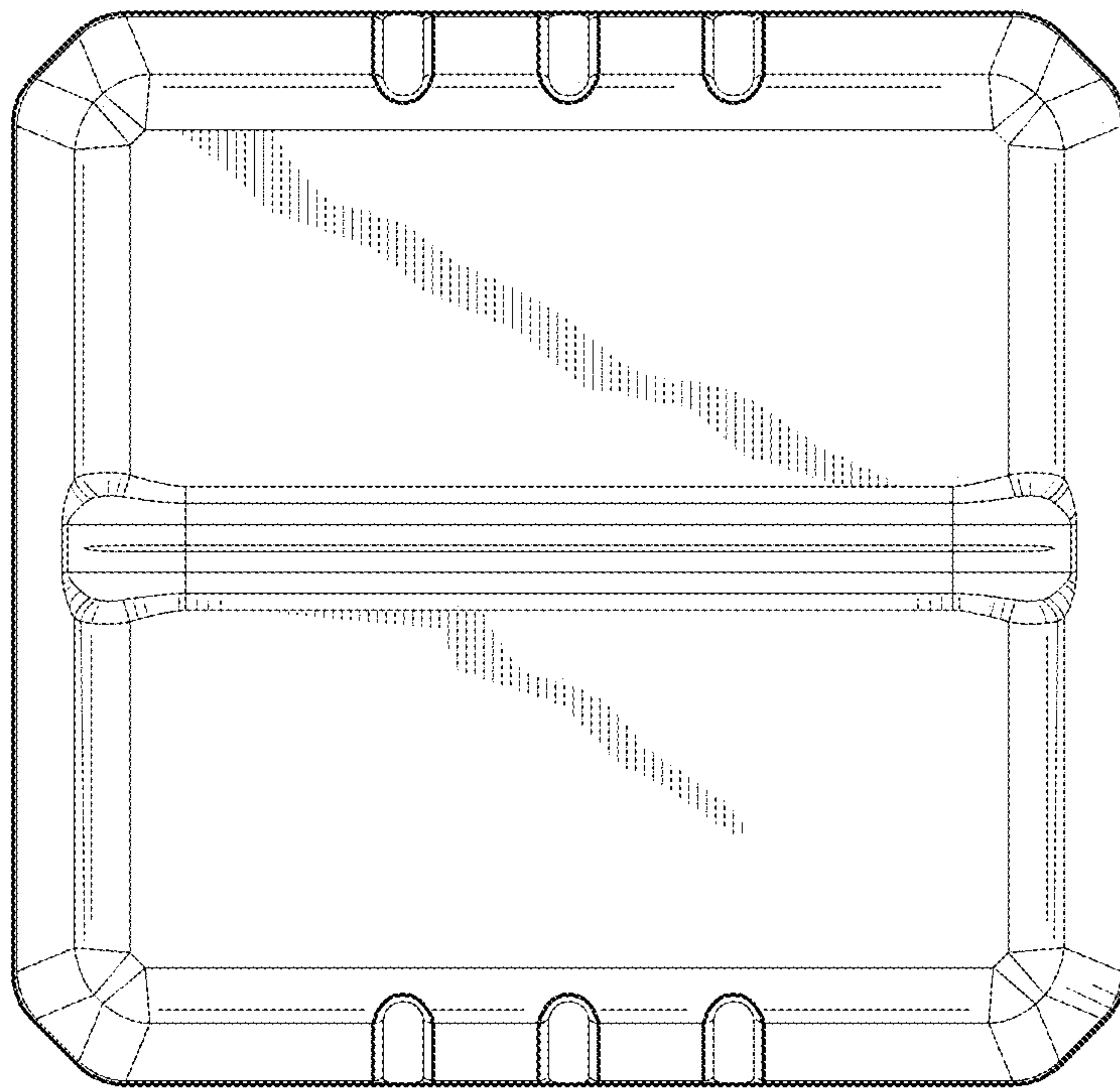
**FIG. 4**



**FIG. 5**



**FIG. 6**



**FIG. 7**