



US00D976703S

(12) **United States Design Patent**
Witberg

(10) **Patent No.:** **US D976,703 S**

(45) **Date of Patent:** **** Jan. 31, 2023**

(54) **LID**

(71) Applicant: **Wihapa AS**, Oslo (NO)

(72) Inventor: **Knut Witberg**, Oslo (NO)

(73) Assignee: **Wihapa AS**, Oslo (NO)

(**) Term: **15 Years**

(21) Appl. No.: **35/512,227**

(22) Filed: **May 28, 2021**

(80) **Hague Agreement Data**

Int. Filing Date: **May 28, 2021**

Int. Reg. No.: **DM/215348**

Int. Reg. Date: **May 28, 2021**

Int. Reg. Pub. Date: **Jul. 23, 2021**

(30) **Foreign Application Priority Data**

Nov. 30, 2020 (NO) 20201171

(51) **LOC (14) Cl.** **09-07**

(52) **U.S. Cl.**
USPC **D9/435**

(58) **Field of Classification Search**

USPC D7/323, 354-361, 391-394; D9/435, 443

CPC B65D 5/64; B65D 43/02; B65D 5/667;

B65D 5/6661; B65D 5/6658; B65D

5/6655; B65D 2543/00027; A47J 39/006;

A47J 36/24; A47J 36/2405

See application file for complete search history.

(56) **References Cited**

U.S. PATENT DOCUMENTS

D420,849 S * 2/2000 Jarvis D7/391

D422,838 S * 4/2000 Jarvis D7/391

D427,012 S * 6/2000 Jarvis D7/391

6,553,696 B1 * 4/2003 Foster, Sr. B60Q 3/225

362/101

D642,051 S * 7/2011 Samartgis D9/435

* cited by examiner

Primary Examiner — Michael A. Pratt

(74) *Attorney, Agent, or Firm* — Harness, Dickey & Pierce, P.L.C.

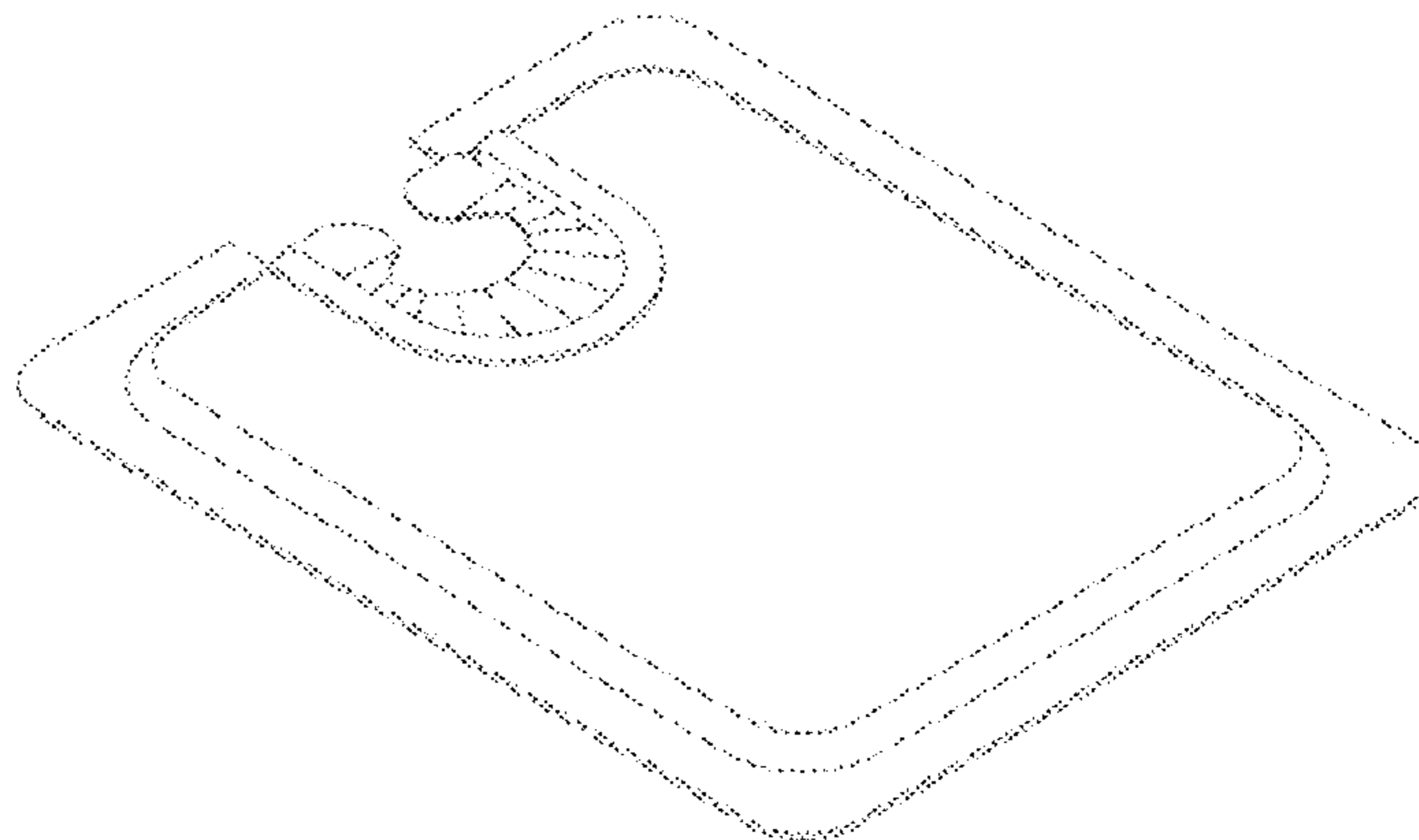
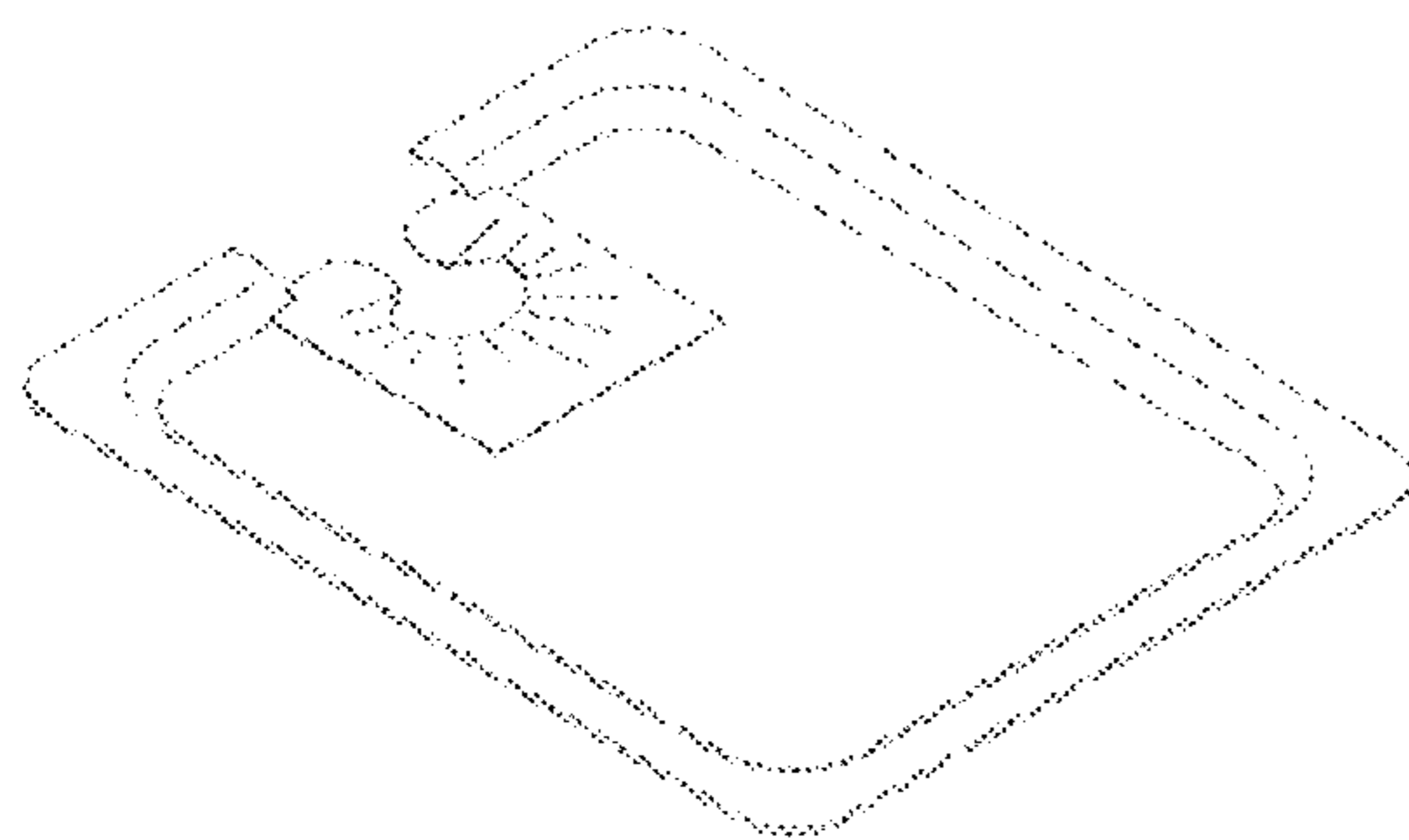
(57) **CLAIM**

The ornamental design for a lid, as shown and described.

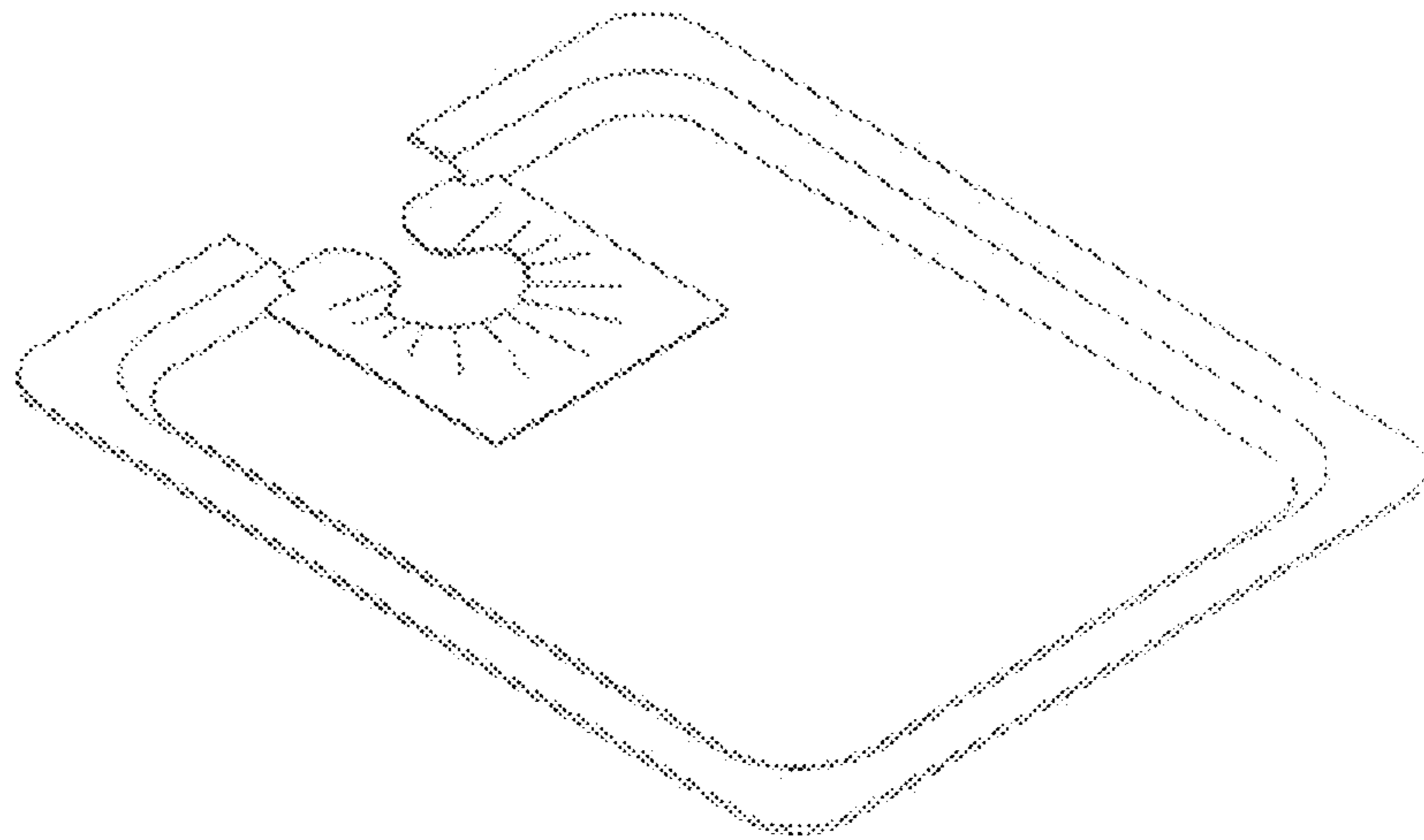
DESCRIPTION

- 1. Lid
- 2. Lid
- 1.1 : Perspective
- 1.2 : Back
- 1.3 : Front
- 1.4 : Right
- 1.5 : Bottom
- 1.6 : Top
- 1.7 : Exploded
- 2.1 : Perspective
- 2.2 : Back
- 2.3 : Front
- 2.4 : Right
- 2.5 : Bottom
- 2.6 : Top
- 2.7 : Exploded

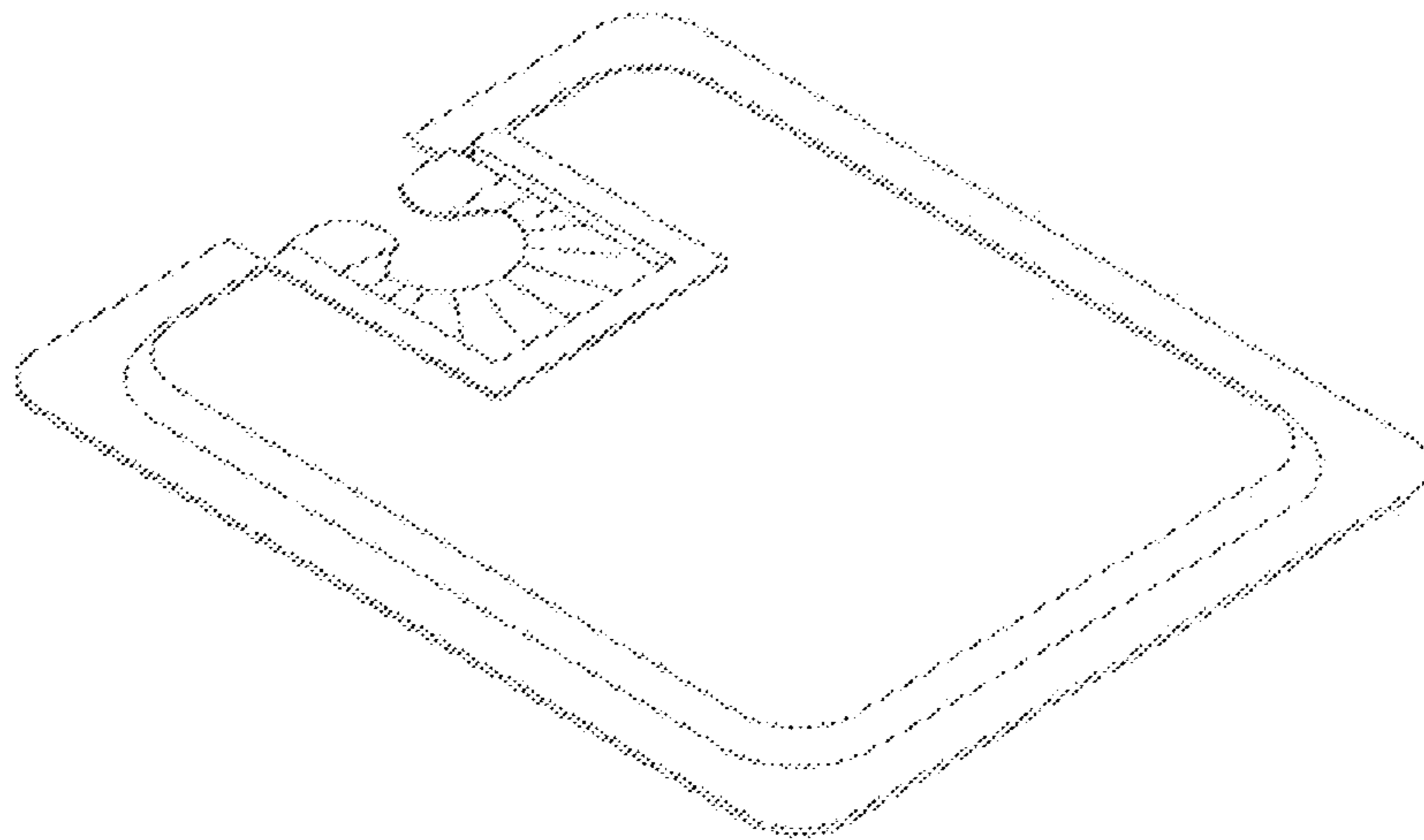
1 Claim, 14 Drawing Sheets



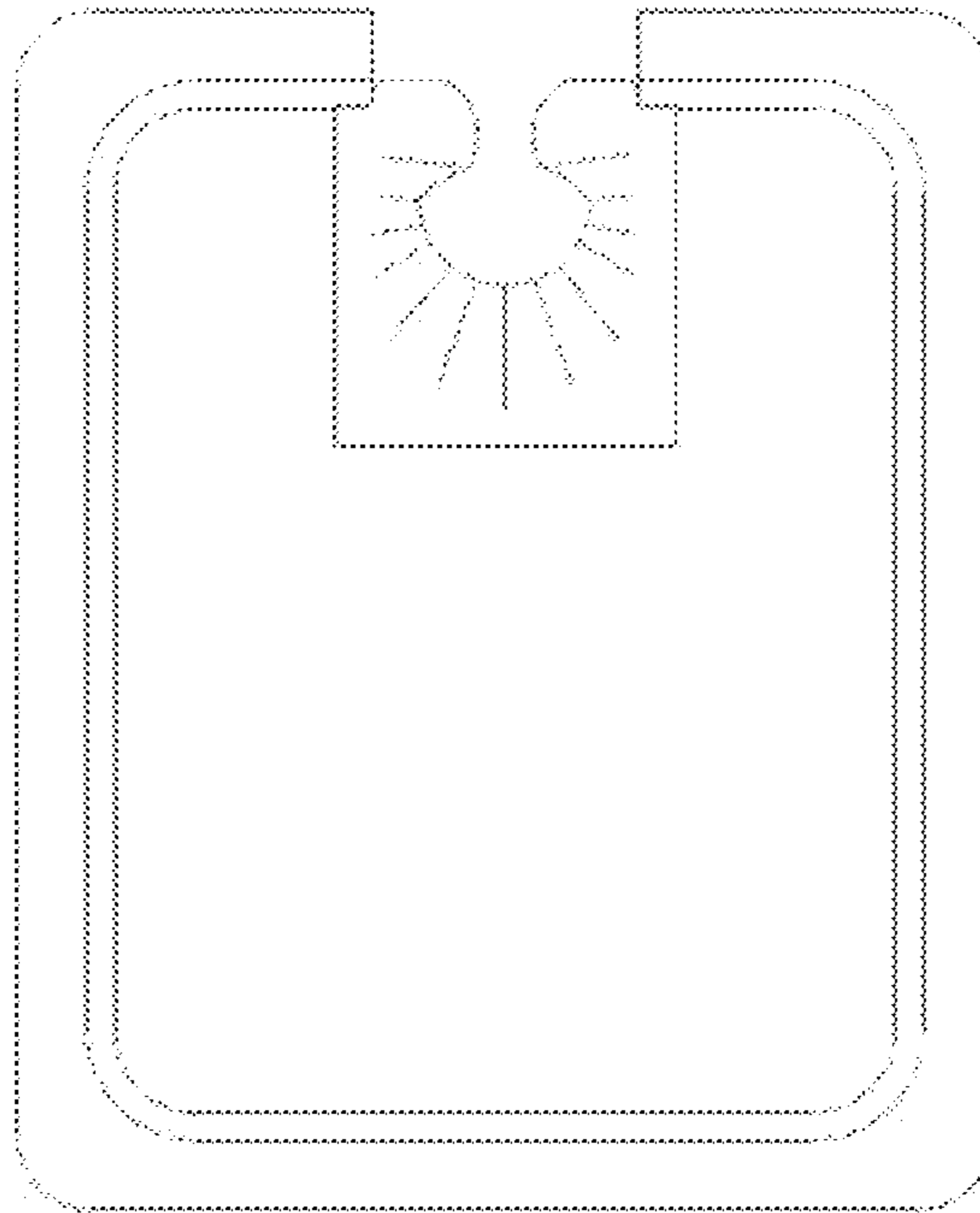
1.1

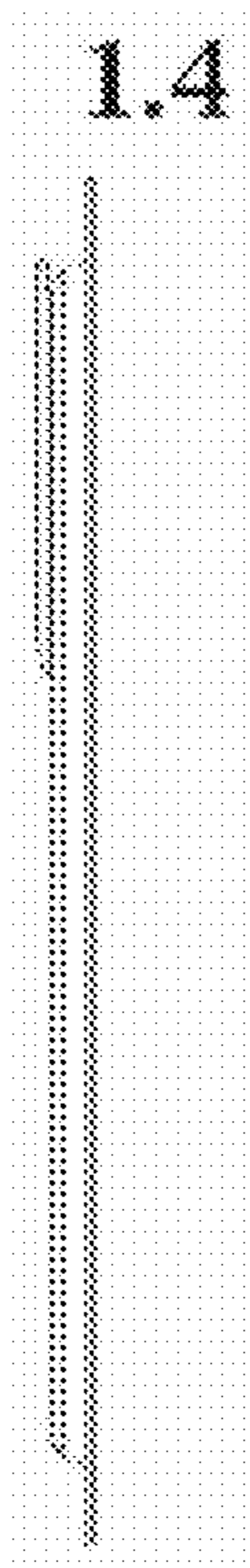


1.2

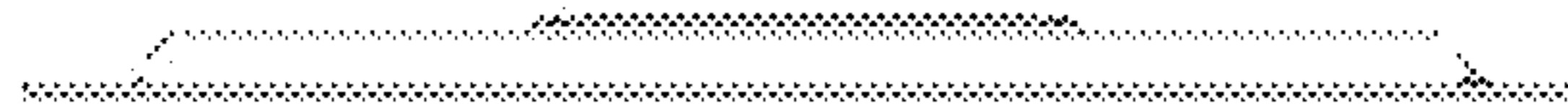


1.3

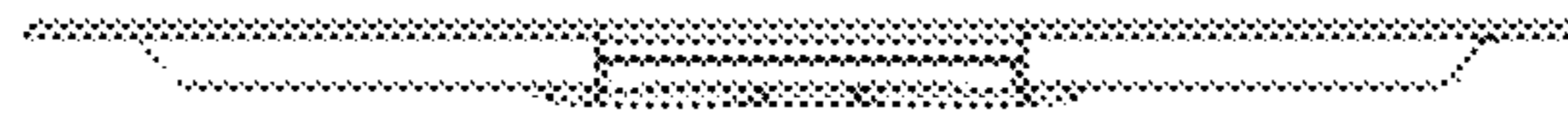




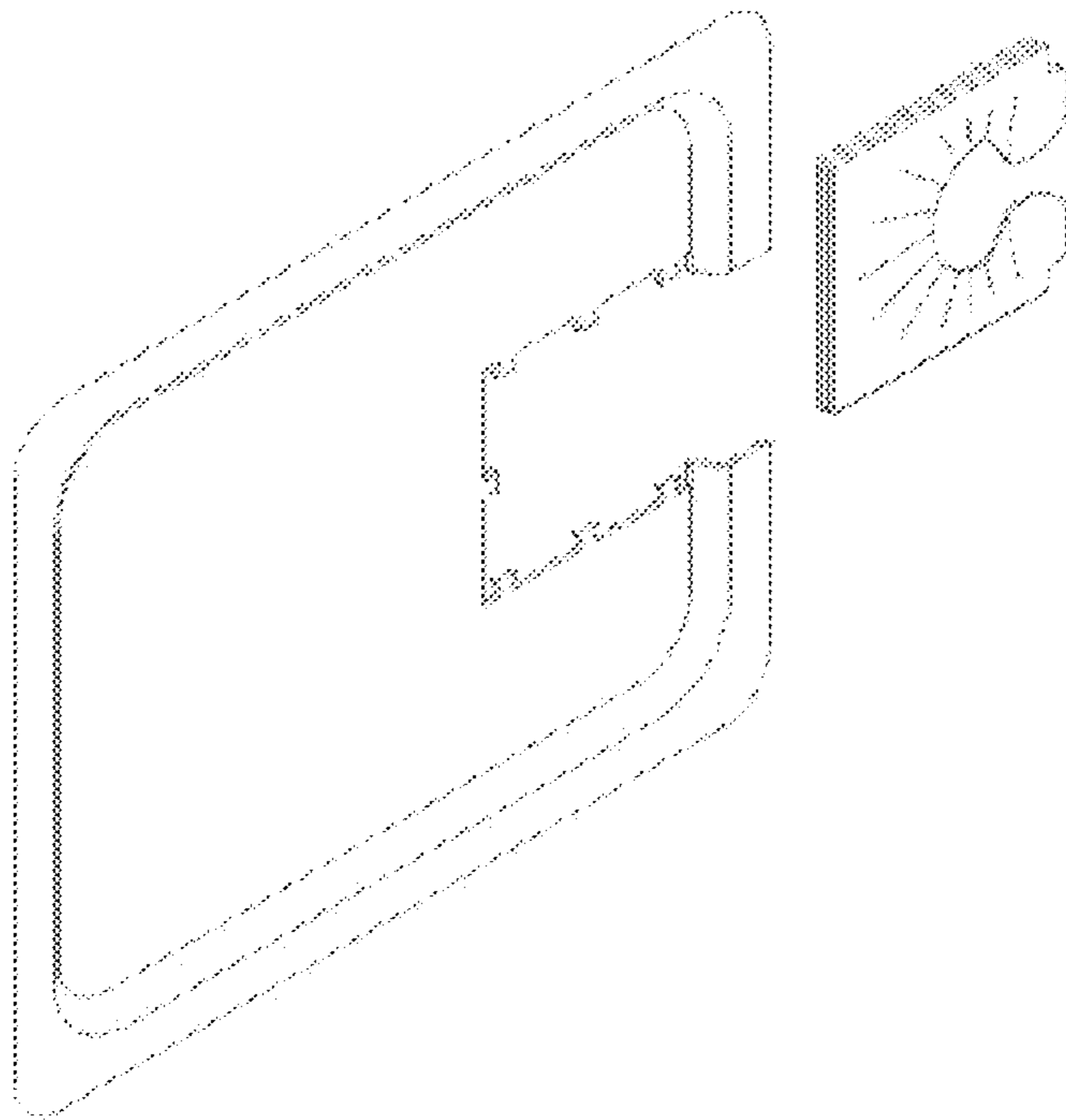
1.5



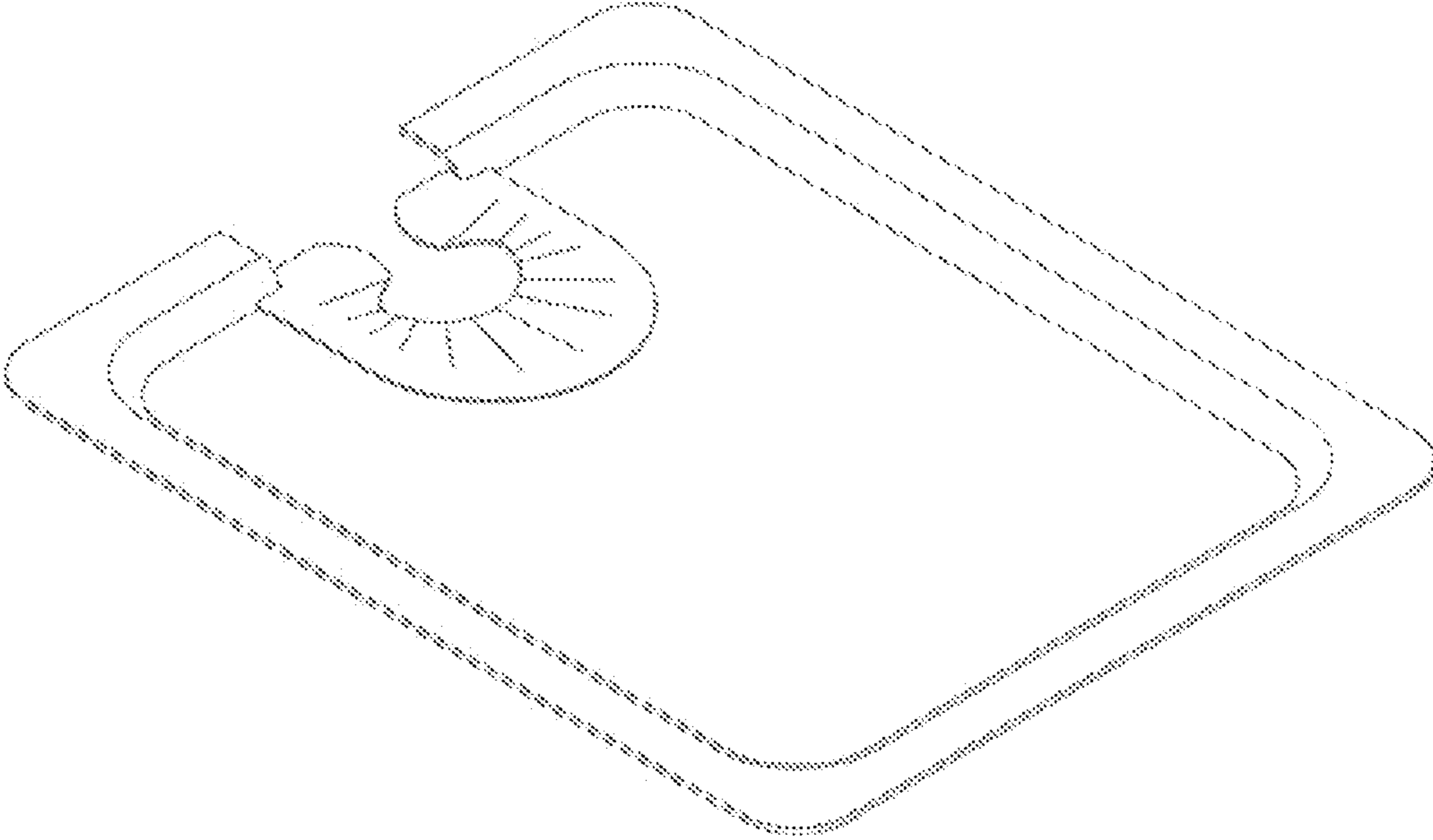
1.6



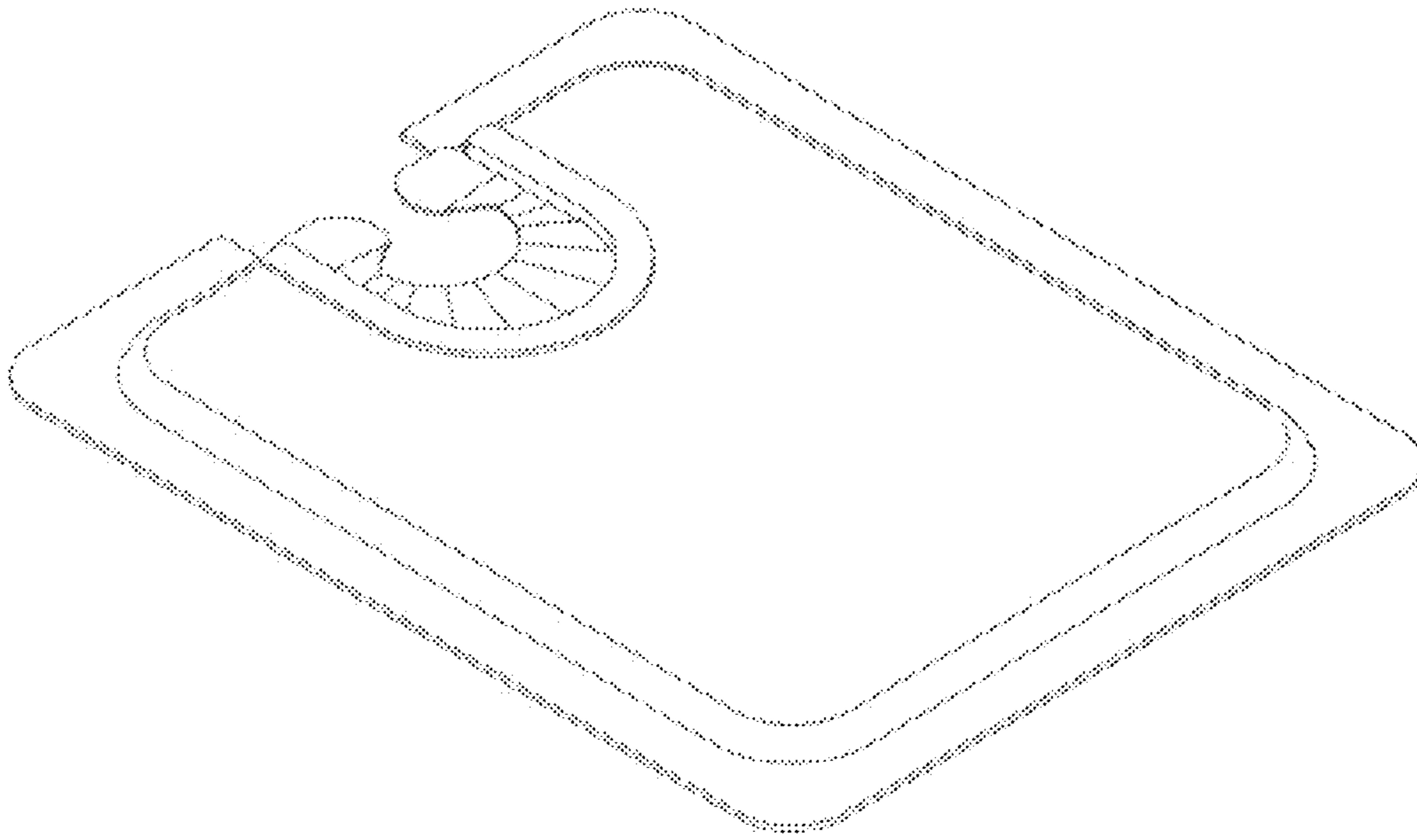
1.7



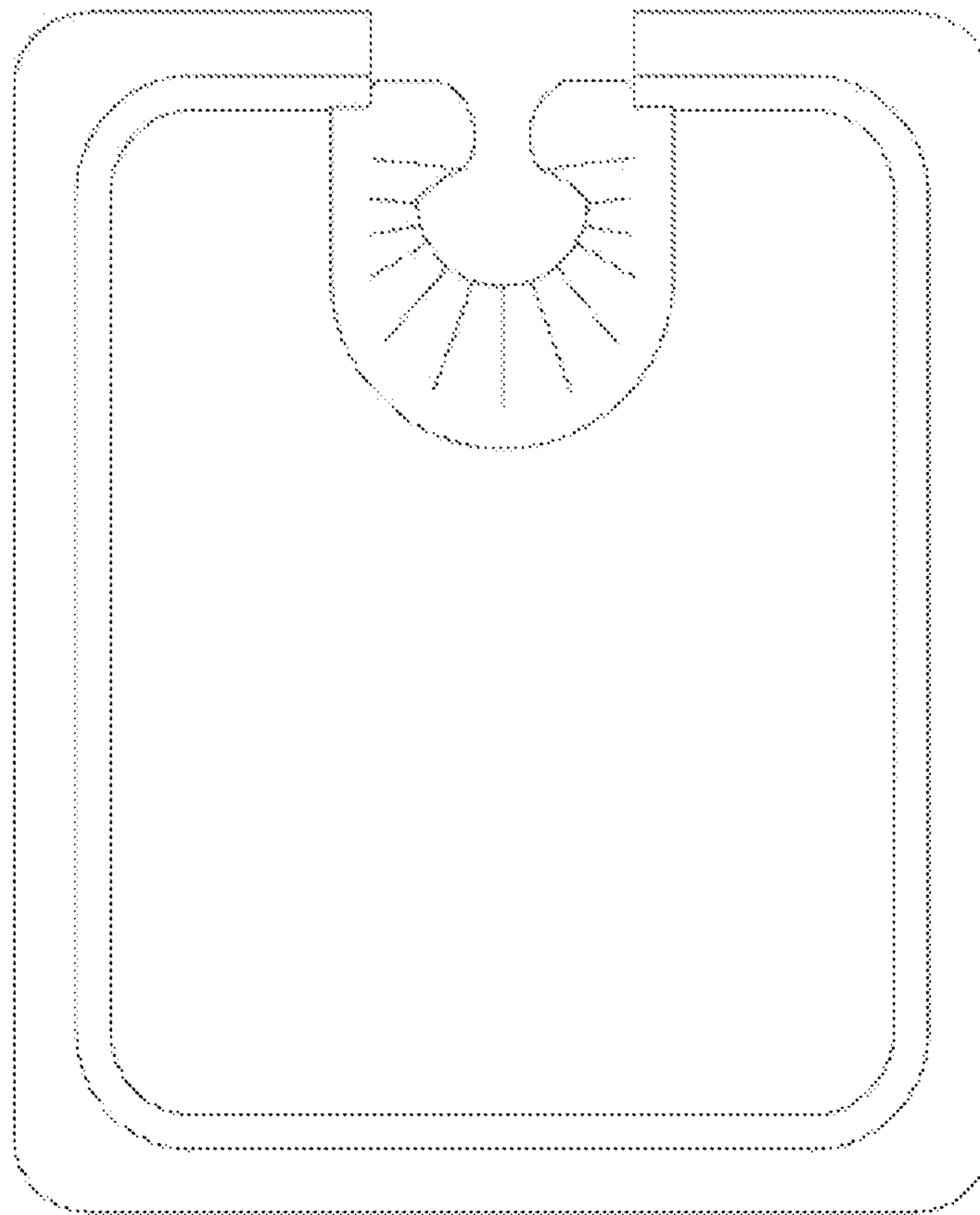
2.1



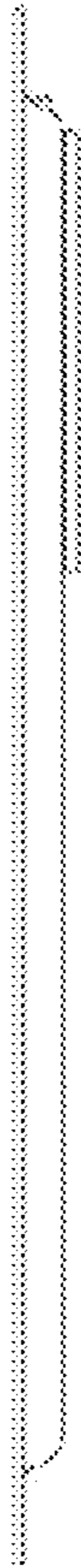
2.2



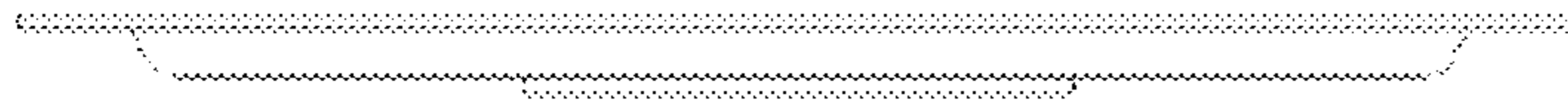
2.3



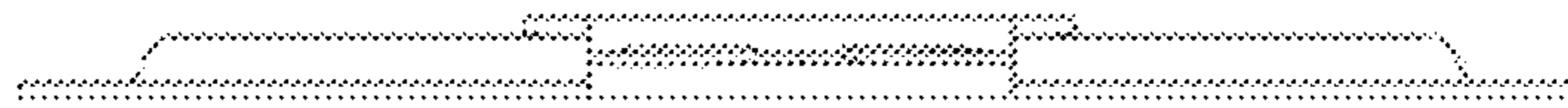
2.4



2.5



2.6



2.7

