



US00D976701S

(12) **United States Design Patent**
Chang

(10) **Patent No.:** **US D976,701 S**

(45) **Date of Patent:** **** Jan. 31, 2023**

(54) **SIDE WALL FOR A STORAGE BOX**

(71) Applicant: **Wen-Tsung Chang**, Taichung (TW)

(72) Inventor: **Wen-Tsung Chang**, Taichung (TW)

(**) Term: **15 Years**

(21) Appl. No.: **29/777,845**

(22) Filed: **Apr. 8, 2021**

(51) **LOC (14) Cl.** **09-03**

(52) **U.S. Cl.**
USPC **D9/433; D9/434**

(58) **Field of Classification Search**
USPC D3/201, 272, 273; D9/414-416,
D9/418-420, 424, 425, 426, 430-434,
D9/455, 456, 499; D7/309, 311
CPC ... B65D 5/00; B65D 5/02; B65D 5/18; B65D
5/20; B44D 3/128; A47J 31/4428
See application file for complete search history.

(56) **References Cited**

U.S. PATENT DOCUMENTS

D290,679 S *	7/1987	Thorpe	D7/397
D401,474 S *	11/1998	Leatherman	D7/397
D481,901 S *	11/2003	Daniels	D7/311
D563,784 S *	3/2008	Swartz	D9/434
D626,372 S *	11/2010	Taggart	D7/397
D630,471 S *	1/2011	Wang	D7/397
10,520,241 B1 *	12/2019	Nelson	E01H 5/04
2007/0000944 A1 *	1/2007	Cahen	A47J 31/4485
				222/150
2013/0126536 A1 *	5/2013	Santy	B65D 1/34
				220/571

OTHER PUBLICATIONS

Walmart. Shiyao Punch-free Desk Side Wall Wall-Hanging Remote Control Storage Box Rack(Blue2-Style3). No date specified. <https://www.walmart.com/ip/SHIYAO-Punch-free-Desk-Side-Wall-Wall-Hanging-Remote-Control-Storage-Box-Rack/914925930> (Year: 0).*
Williams Brewing. 16" Door Drip Tray. No date specified. <https://www.williamsbrewing.com/Home-Brewing-Equipment/Kegging-Equipment/Drip-Trays/16-Door-Drip-Tray> (Year: 0).*

* cited by examiner

Primary Examiner — Darcey E Gottschalk

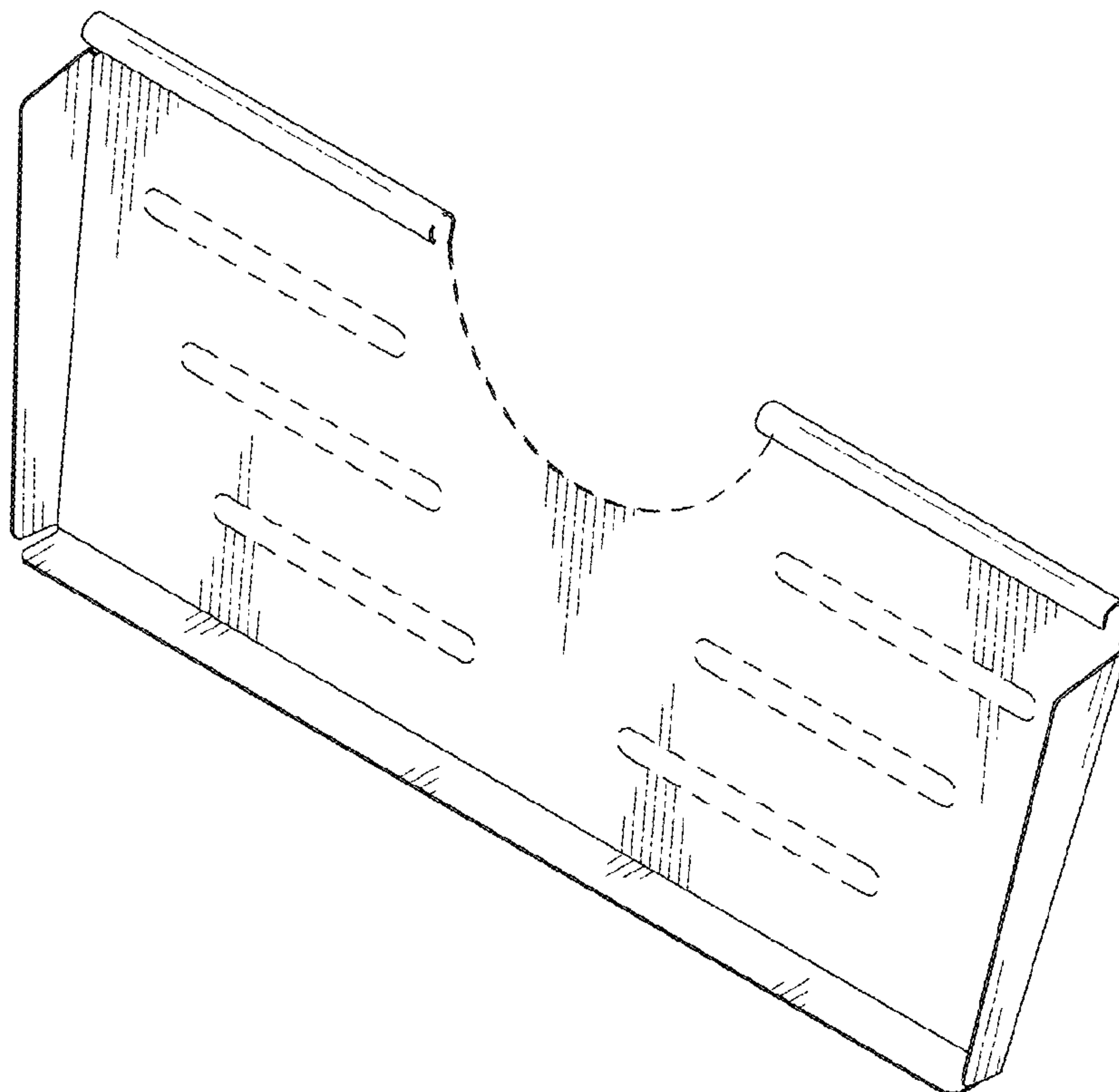
(57) **CLAIM**

The ornamental design for a side wall for a storage box, as shown and described.

DESCRIPTION

FIG. 1 is a perspective view of a side wall for a storage box showing my new design;
FIG. 2 is a front elevational view thereof;
FIG. 3 is a rear elevational view thereof;
FIG. 4 is a left side elevational view thereof;
FIG. 5 is a right side elevational view thereof;
FIG. 6 is a top plan view thereof; and,
FIG. 7 is a bottom plan view thereof.
The broken lines shown represent portions of a side wall for a storage box and form no part of the claimed design.

1 Claim, 4 Drawing Sheets



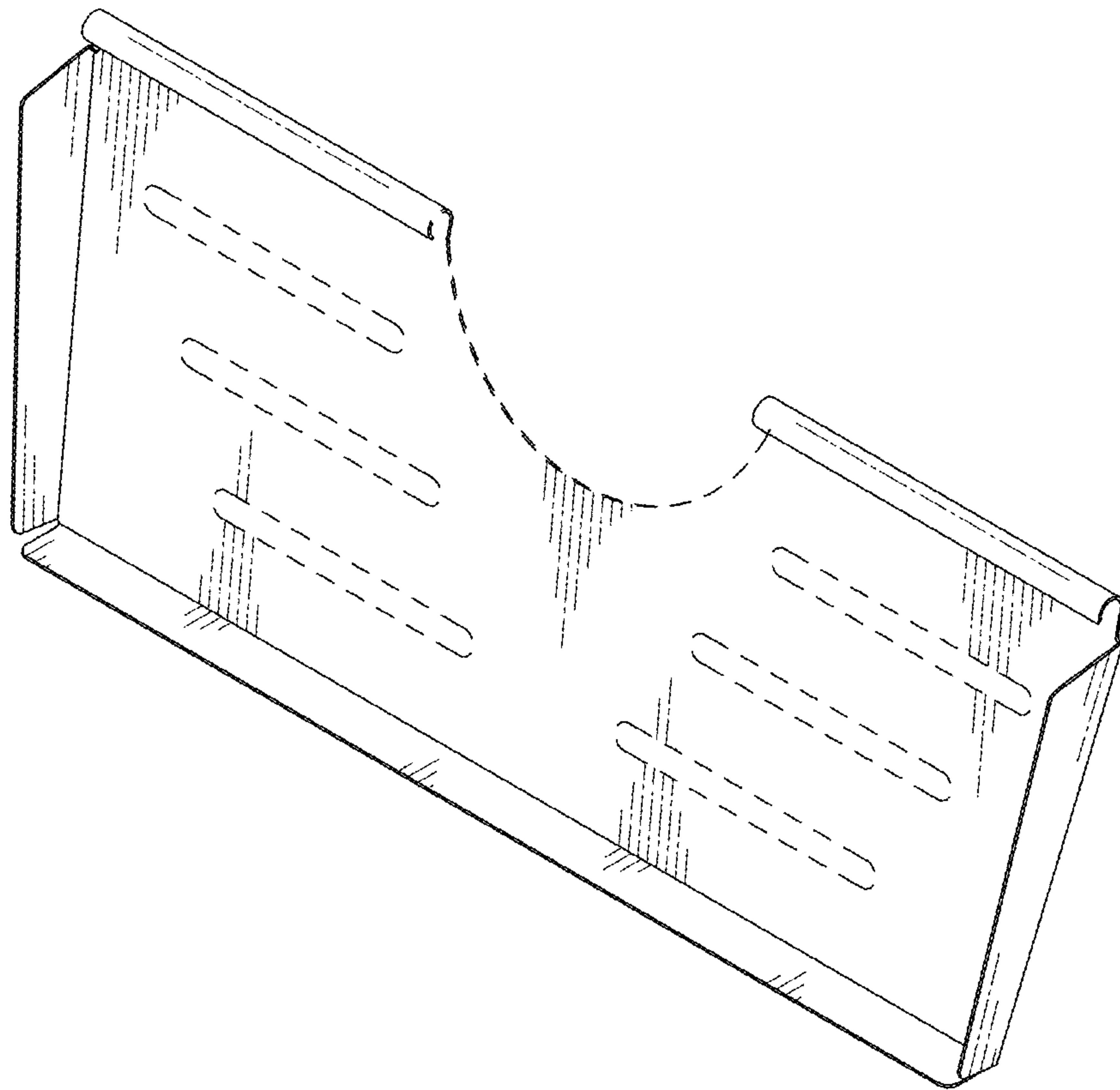


FIG.1

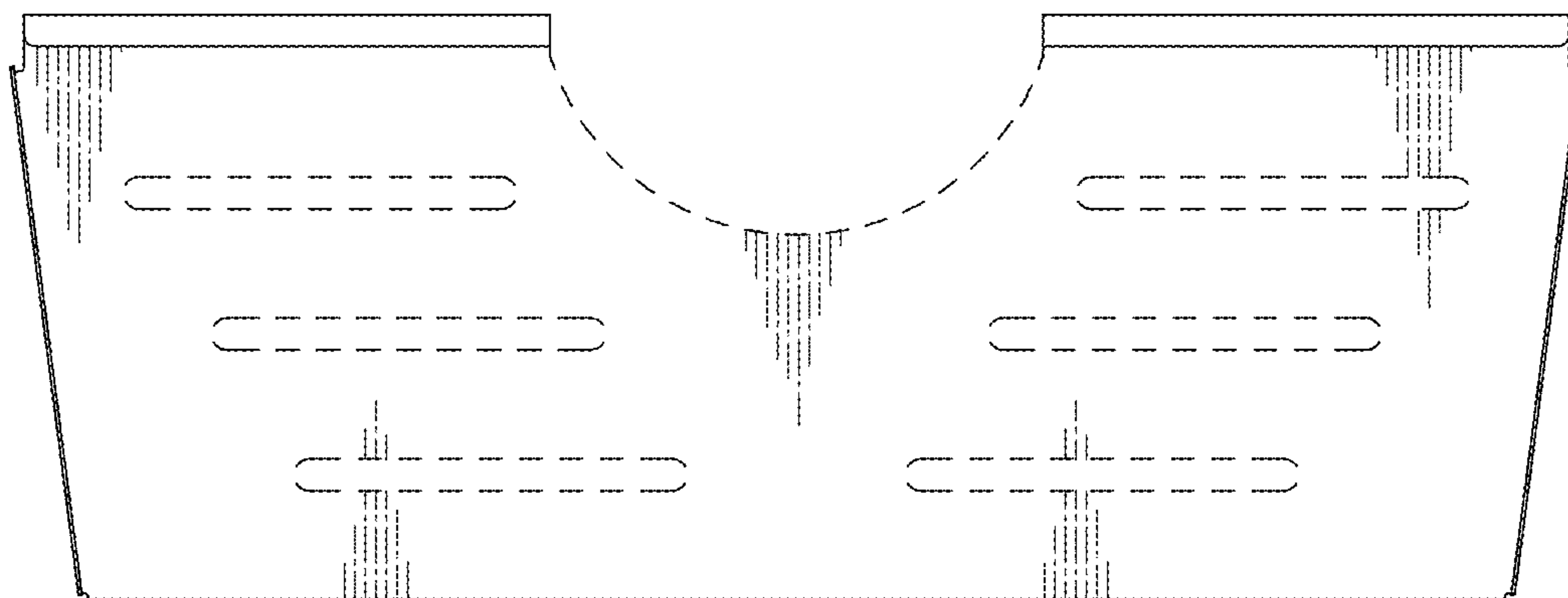


FIG.2

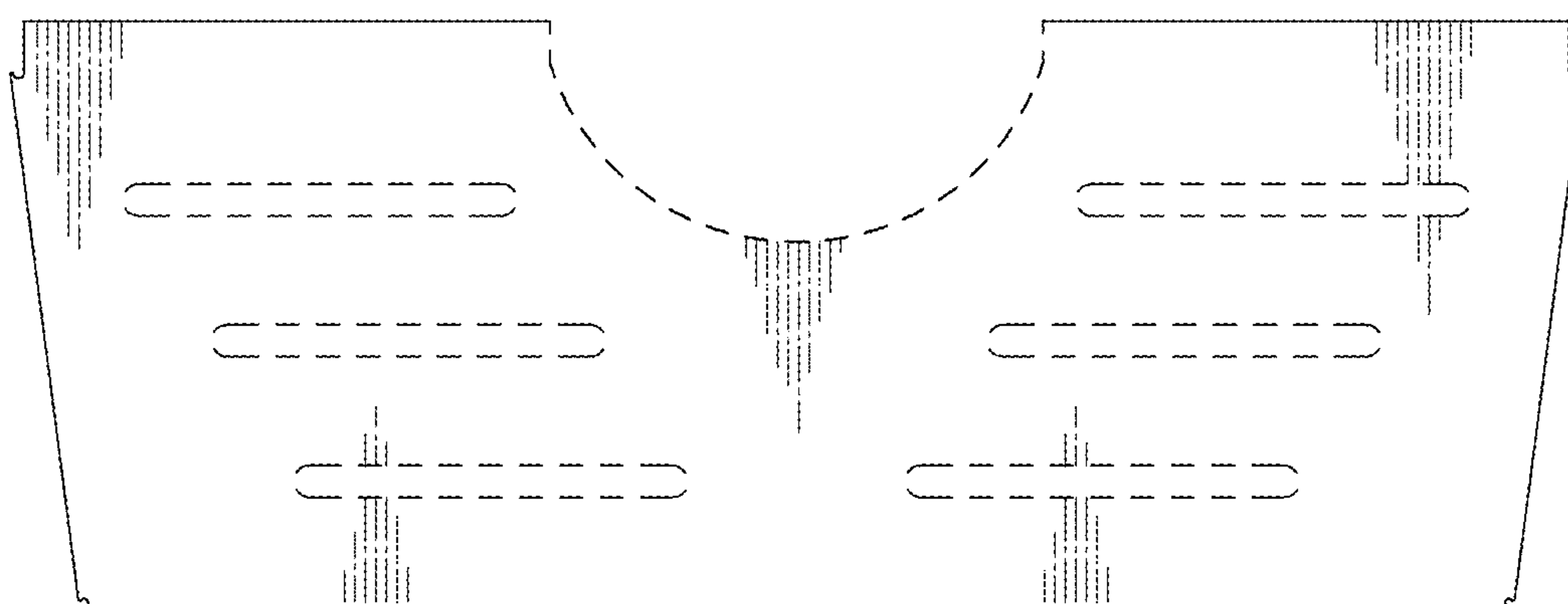


FIG.3

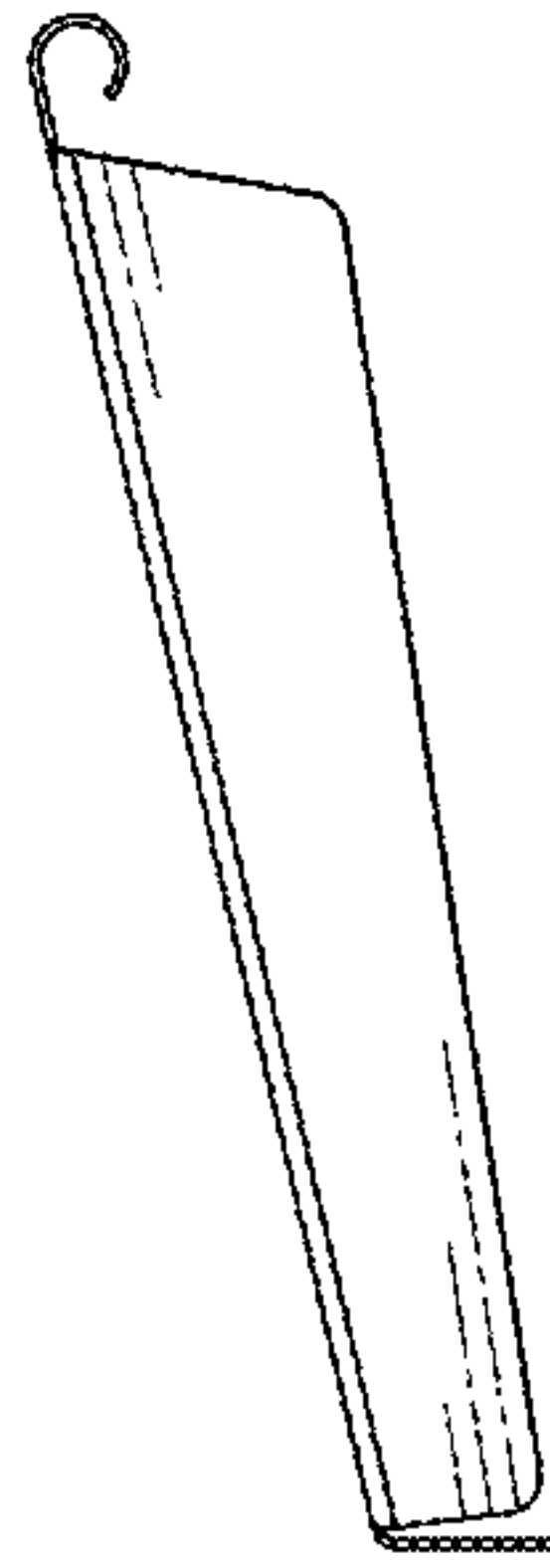


FIG.4

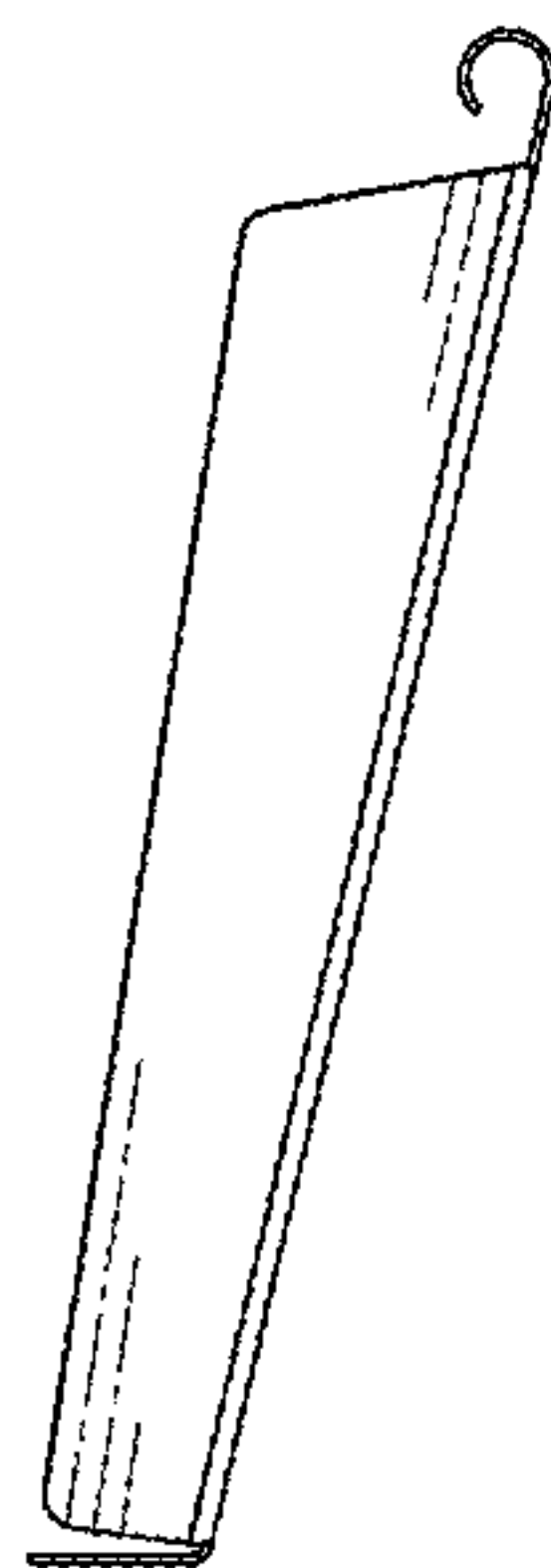


FIG.5

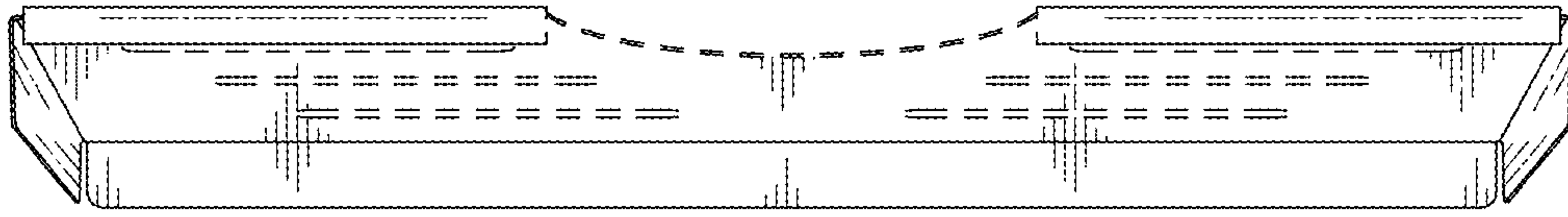


FIG. 6

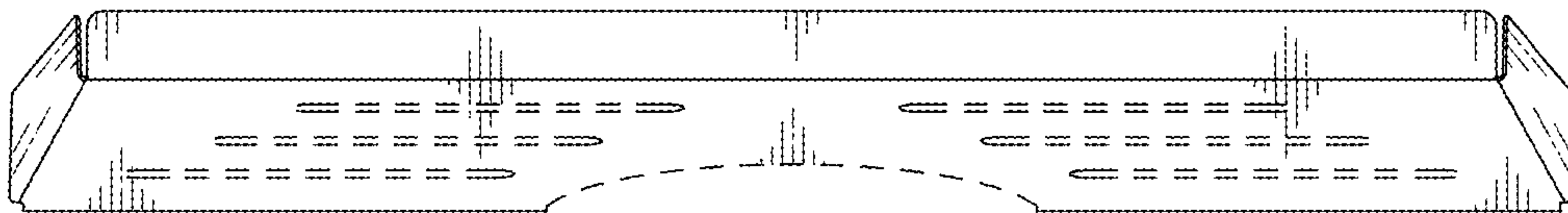


FIG. 7